



US00D530124S

(12) **United States Design Patent**
Ophardt et al.

(10) **Patent No.:** **US D530,124 S**

(45) **Date of Patent:** **** Oct. 17, 2006**

(54) **DISPENSER**

(75) Inventors: **Heiner Ophardt**, Vineland (CA);
Andrew Jones, St. Catharines (CA);
Kevin Lightfoot, Oakville (CA)

(73) Assignee: **Gotohti.Com Inc.**, Beamsville (CA)

(**) Term: **14 Years**

(21) Appl. No.: **29/229,697**

(22) Filed: **May 11, 2005**

(51) **LOC (8) Cl.** **23-02**

(52) **U.S. Cl.** **D6/545**

(58) **Field of Classification Search** D6/542-545;
221/208, 282, 283; 222/105, 173, 180, 181.1,
222/181.2, 181.3

See application file for complete search history.

(56) **References Cited**

U.S. PATENT DOCUMENTS

- D228,994 S * 11/1973 Reinecke et al. D6/545
- D245,891 S * 9/1977 Milbourne, Jr. D6/545
- 4,164,306 A * 8/1979 Perrin 222/181.2
- D298,097 S * 10/1988 Vogel et al. D6/545

- D321,453 S 11/1991 Ophardt
- D350,070 S 8/1994 Ophardt
- D350,665 S 9/1994 Ophardt
- D378,035 S 2/1997 Ophardt
- D444,978 S * 7/2001 Kauzlarich et al. D6/545
- D452,099 S * 12/2001 Poitras et al. D6/545
- D493,647 S 8/2004 Bowes

* cited by examiner

Primary Examiner—Brian N Vinson

(74) *Attorney, Agent, or Firm*—Riches, McKenzie & Herbert LLP

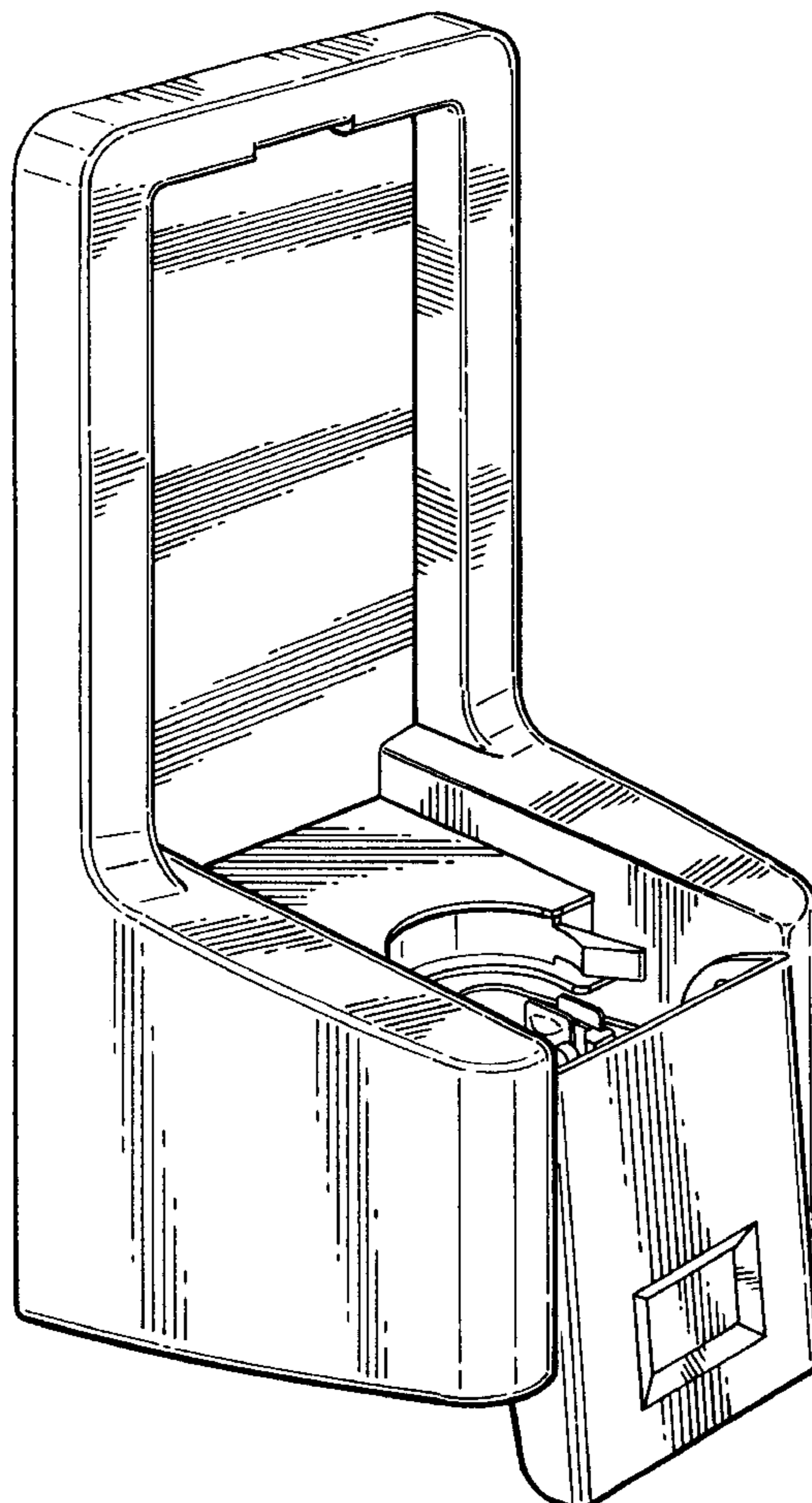
(57) **CLAIM**

We claim the ornamental design for a dispenser, as shown.

DESCRIPTION

FIG. 1 is a perspective view of a dispenser;
FIG. 2 is a front view of the dispenser of FIG. 1;
FIG. 3 is a right side view of the dispenser of FIG. 1;
FIG. 4 is a left side view of the dispenser of FIG. 1;
FIG. 5 is a back view of the dispenser of FIG. 1;
FIG. 6 is a top view of the dispenser of FIG. 1; and,
FIG. 7 is a bottom view of the dispenser of FIG. 1.

1 Claim, 4 Drawing Sheets



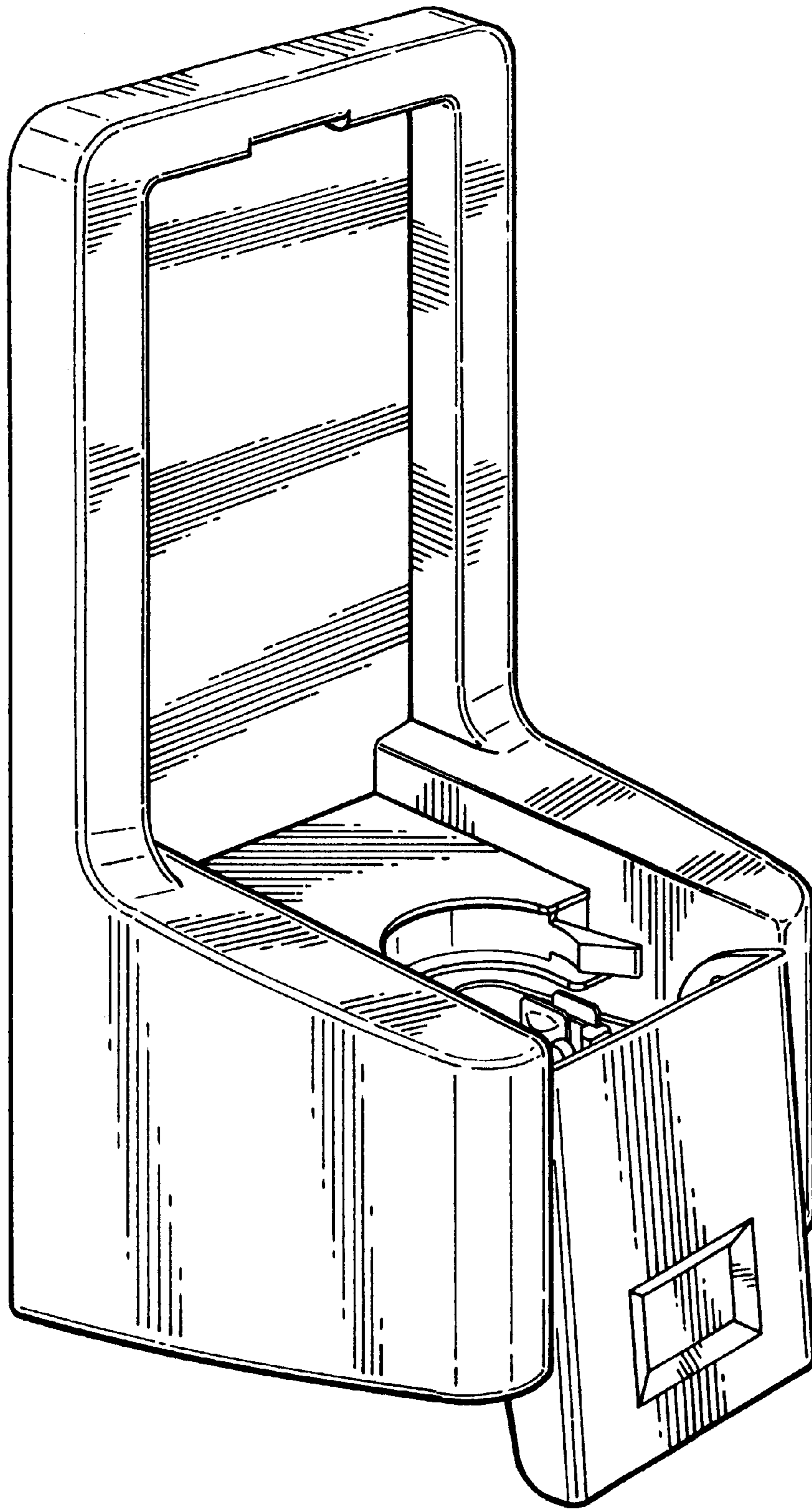


FIG. 1.

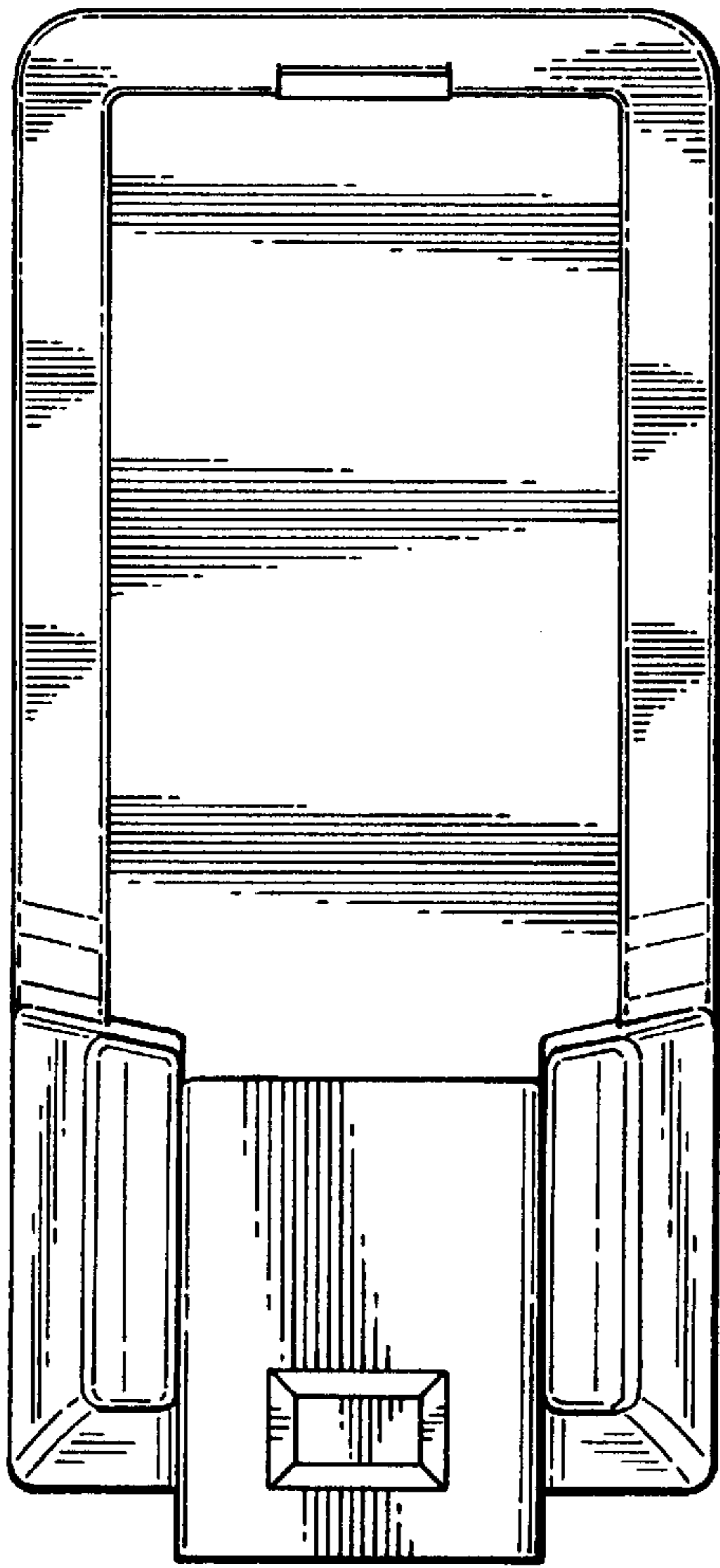


FIG. 2.

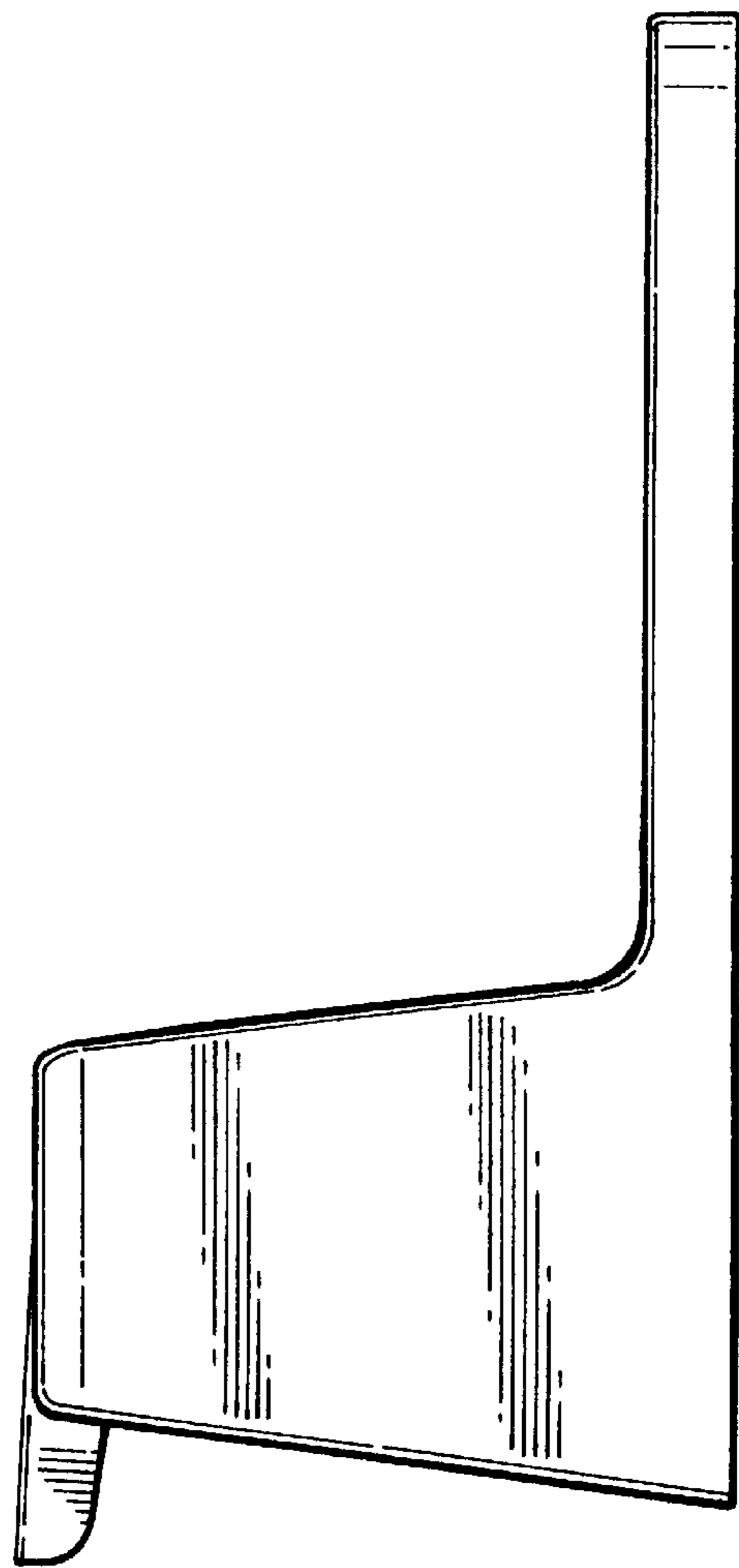


FIG. 3.

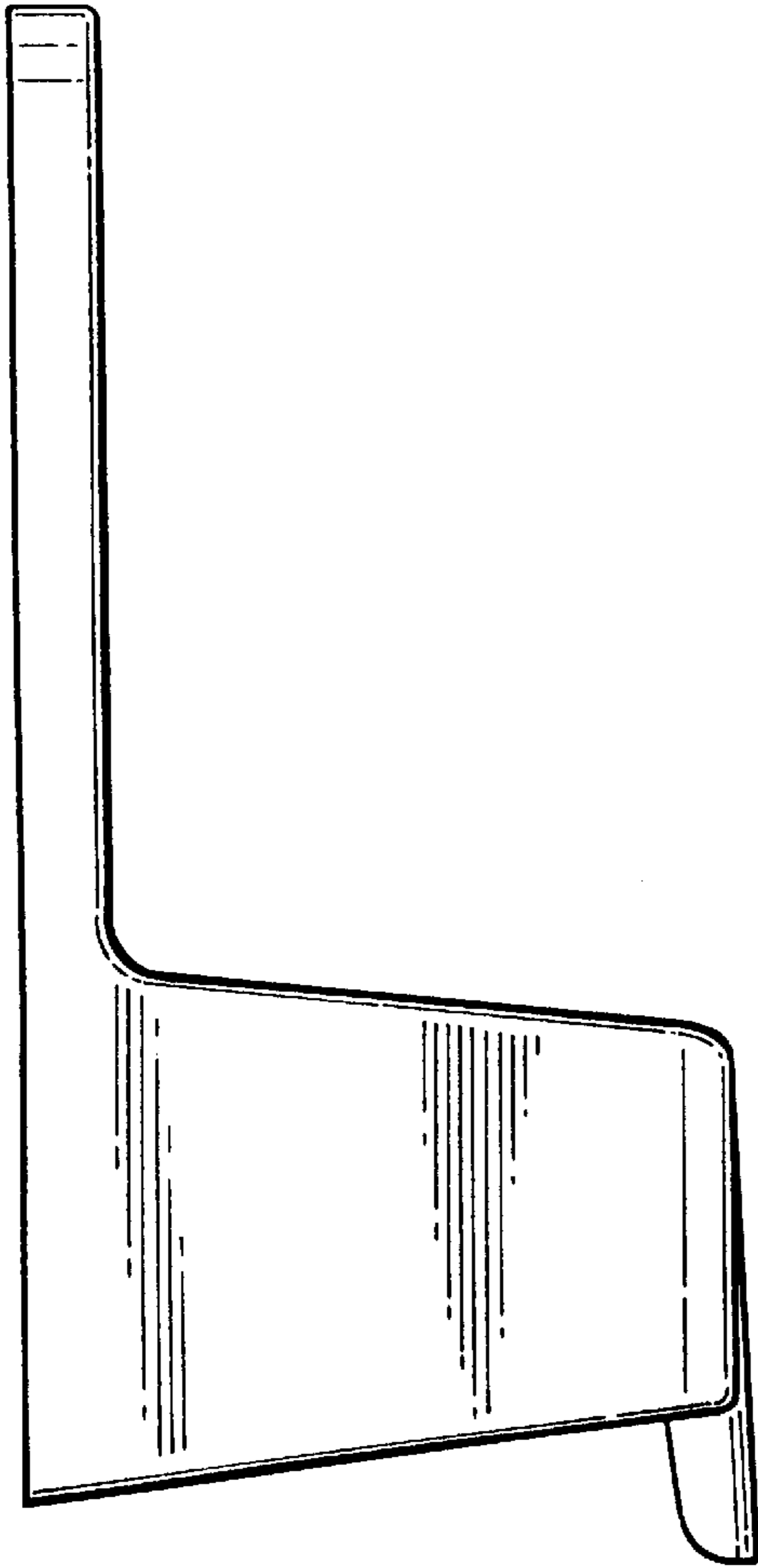


FIG. 4.

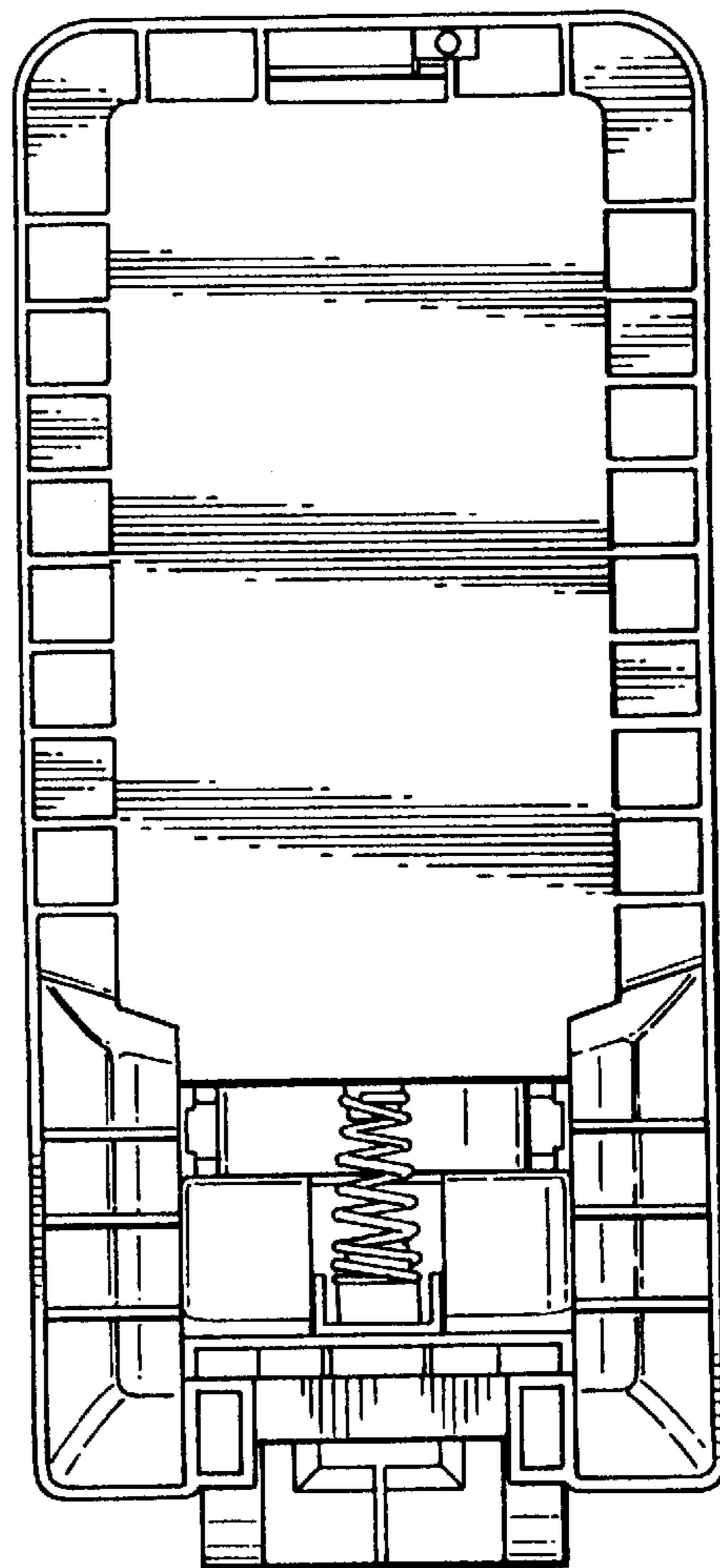


FIG. 5.

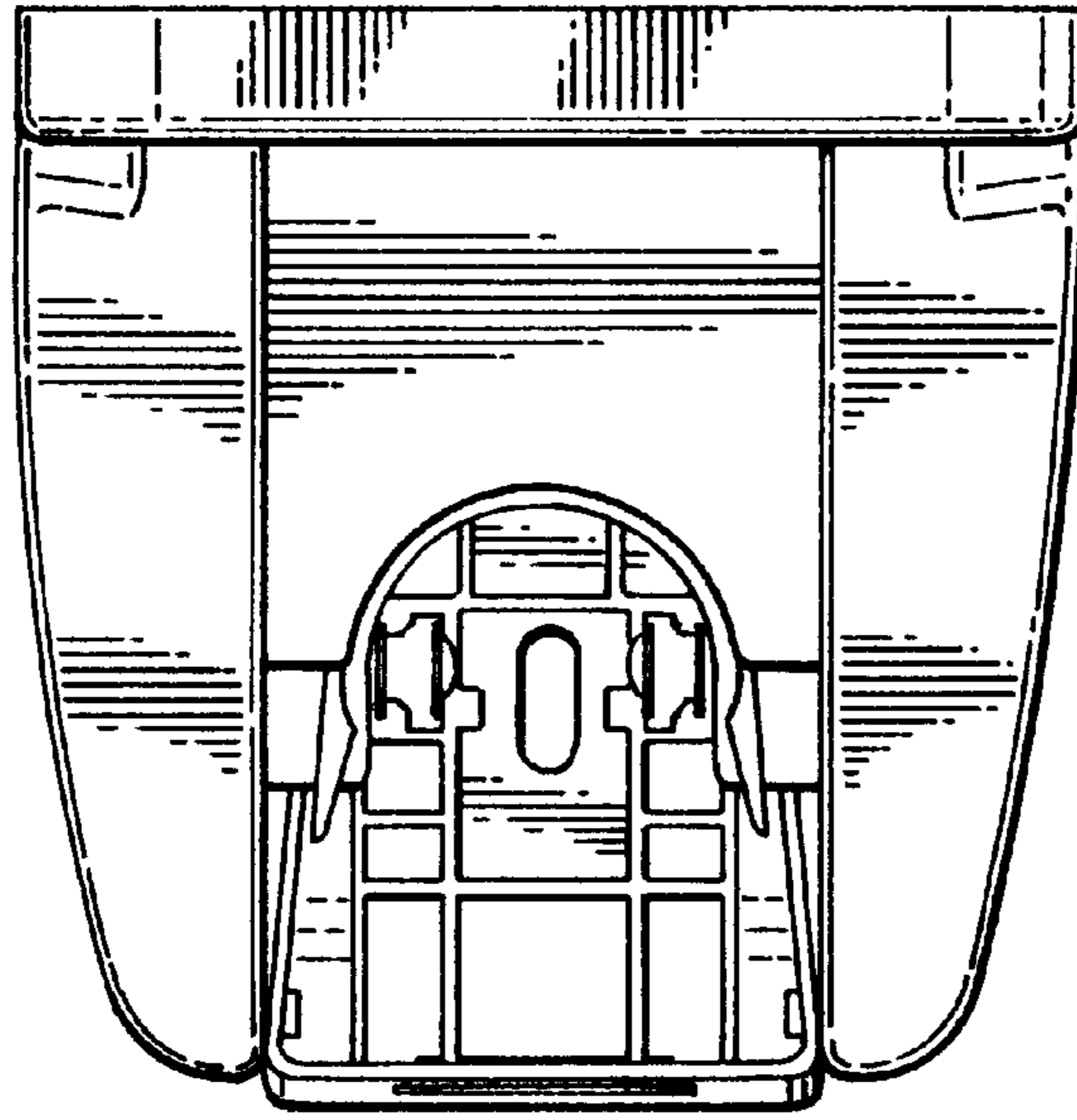


FIG. 6.

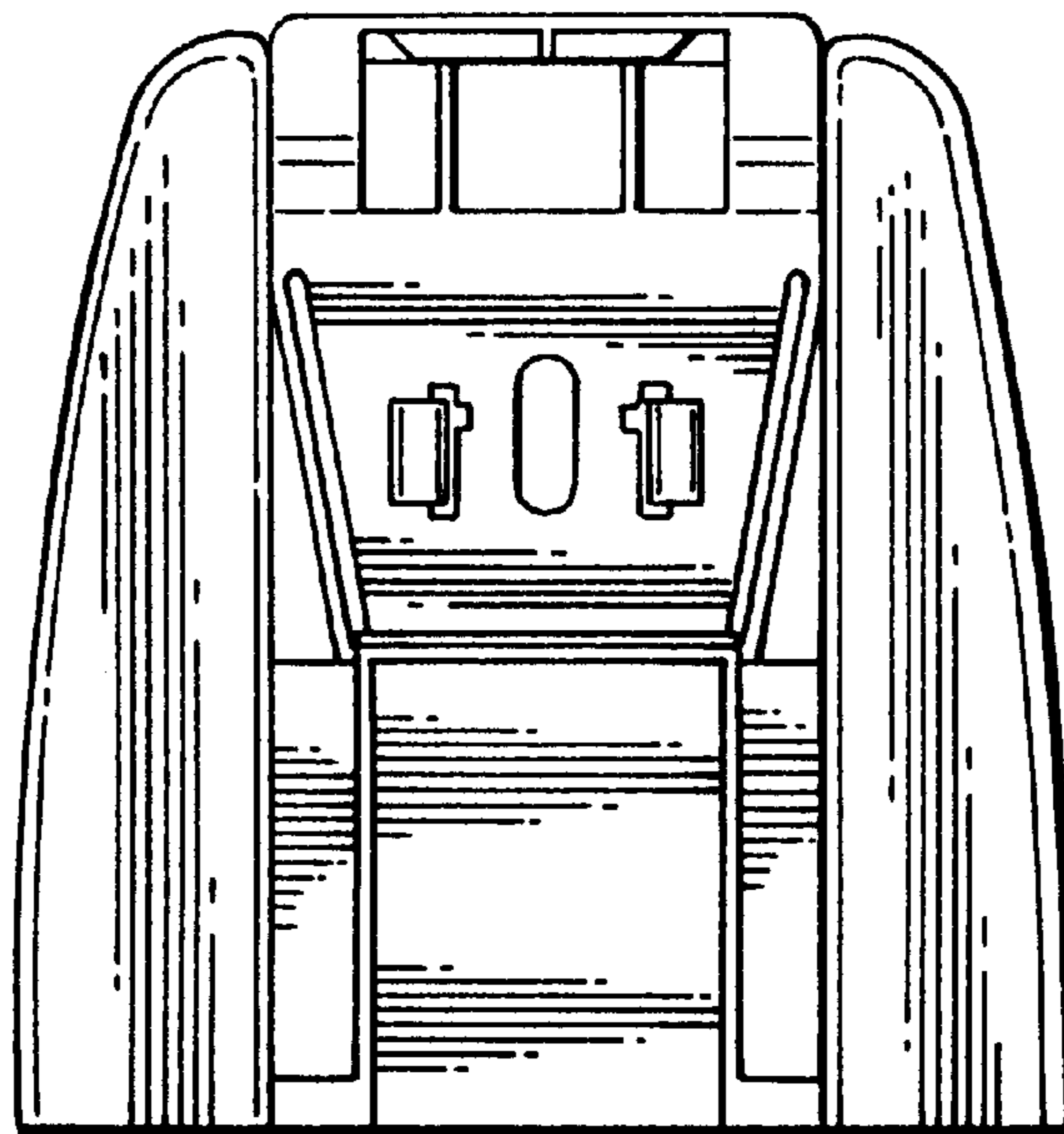


FIG. 7.