



US00D530119S

(12) **United States Design Patent** (10) **Patent No.:** **US D530,119 S**
Franks et al. (45) **Date of Patent:** **** Oct. 17, 2006**

(54) **BENCH FRAME**
(75) Inventors: **Jay Franks**, Birmingham, AL (US);
Richard VanOsdol, Silver Lake, IN
(US); **Kent Weimer**, Columbia City, IN
(US)
(73) Assignee: **Wabash Valley Mfg.**, Silver Lake, IN
(US)
(**) Term: **14 Years**

D344,857 S * 3/1994 Kinsman D6/349
D357,590 S 4/1995 Noll
D360,536 S 7/1995 Pelletier
5,452,936 A 9/1995 Koehring
D450,952 S * 11/2001 Stewart D6/499
D453,424 S * 2/2002 Stewart D6/349
D455,919 S * 4/2002 Stewart D6/499
D471,368 S * 3/2003 Arnold et al. D6/349
D481,211 S * 10/2003 Chipman D6/349
D482,550 S * 11/2003 Kane D6/500
D483,960 S * 12/2003 Chipman D6/370

(21) Appl. No.: **29/204,244**
(22) Filed: **Apr. 27, 2004**
(51) **LOC (8) Cl.** **06-01**
(52) **U.S. Cl.** **D6/500**
(58) **Field of Classification Search** D6/332,
D6/335-337, 340, 349, 355, 352-353, 369-370,
D6/381, 495, 499-502; 5/12.1; 108/118,
108/119, 137; 297/16.1-16.2, 451.9, 452.11,
297/452.63, 217.1, 31, 175, 423.1, 423.16,
297/461, 232
See application file for complete search history.

OTHER PUBLICATIONS

2003 "P astisol" Coated Furniture Catalog, Wabash Valley Manufacturing, Inc. pp. 130-133.
Vinyl Coated Steel Recreational Furniture 1998 Catalog, Diversified Metal Fabricators, Inc.
Superior Line Outdoor/Indoor Furniture 1996 Catalog, Fusion Coatings, Inc., p. 13.
Specializing in Vinyl Coated Steel Recreational Furniture Catalog, Diversified Metal Fabricators, Inc., 12 Edition, Jan. 1996.
Recreation Catalog, Ken Coat, Inc., Dec. 1, 1995.

* cited by examiner

Primary Examiner—Sandra S. Snapp
(74) *Attorney, Agent, or Firm*—E. Victor Indiano; Indiano Vaughan, LLP

(56) **References Cited**
U.S. PATENT DOCUMENTS

D165,710 S 1/1952 Currie et al.
D182,822 S 5/1958 Kempner, Jr.
2,917,108 A 12/1959 Moritz
D190,744 S 6/1961 Guice
D214,042 S * 5/1969 Henebry D6/381
D215,430 S * 9/1969 Suzuki D6/349
D222,806 S 1/1972 Wise
D228,162 S 8/1973 Fink
3,758,152 A 9/1973 Lake
D231,963 S 7/1974 May
3,847,424 A 11/1974 Nielson
3,910,631 A 10/1975 Inaba
4,023,859 A 5/1977 Hagenson
D277,442 S 2/1985 Crowell
4,522,443 A 6/1985 Van Blankenburg
D299,595 S * 1/1989 Shields D6/335
D327,778 S 7/1992 Crawford
D327,779 S 7/1992 Jensen et al.

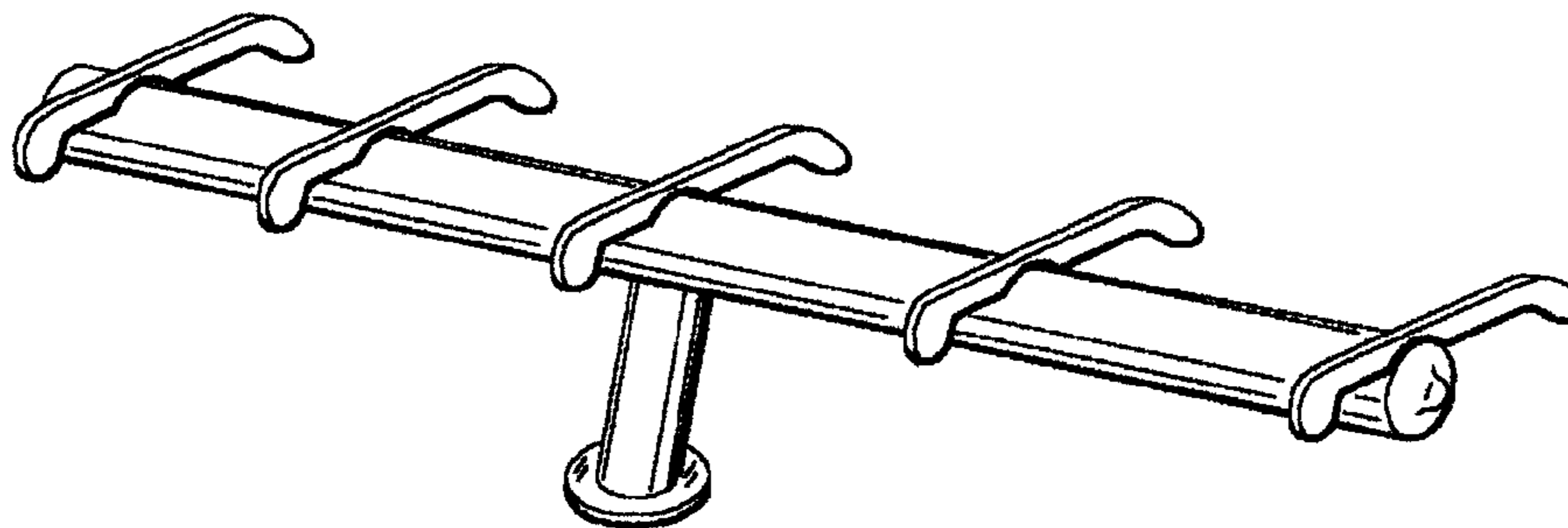
(57) **CLAIM**

The ornamental design for a bench frame, as shown and described.

DESCRIPTION

FIG. 1 is a perspective view of a bench frame showing our new design;
FIG. 2 is a top view thereof;
FIG. 3 is a front view thereof;
FIG. 4 is a bottom view thereof;
FIG. 5 is a right side view thereof;
FIG. 6 is a rear view thereof; and,
FIG. 7 is a left side view thereof.

1 Claim, 3 Drawing Sheets



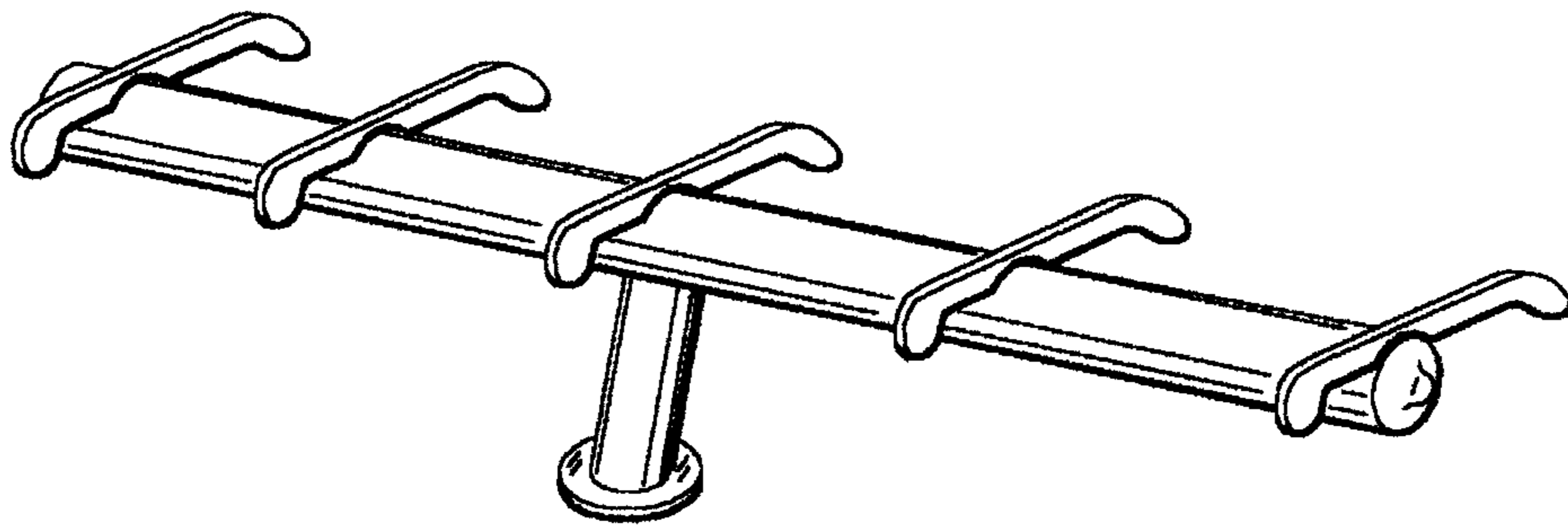


FIG. 1

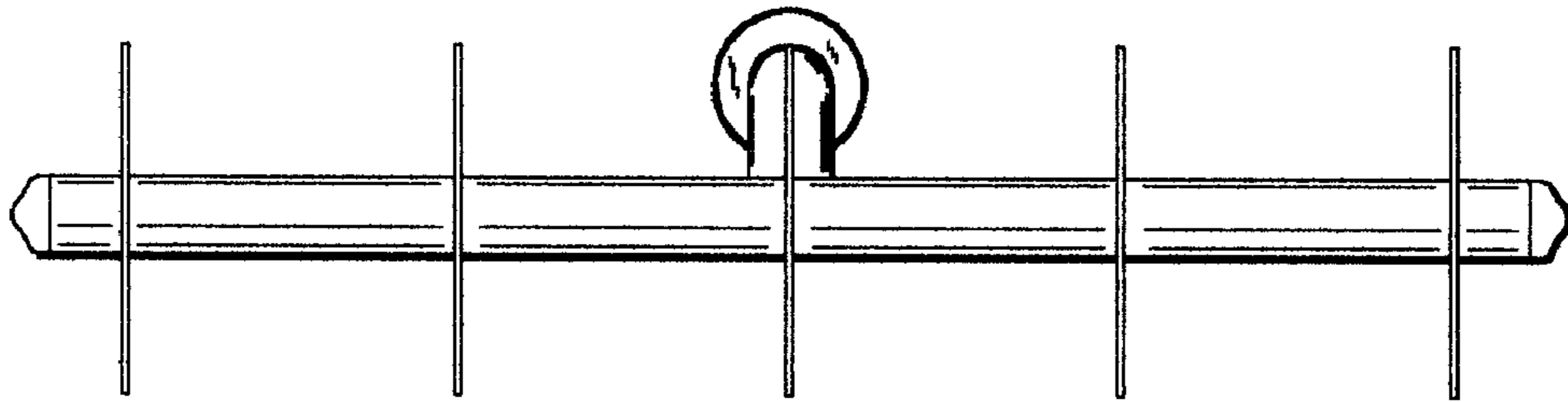


FIG. 2

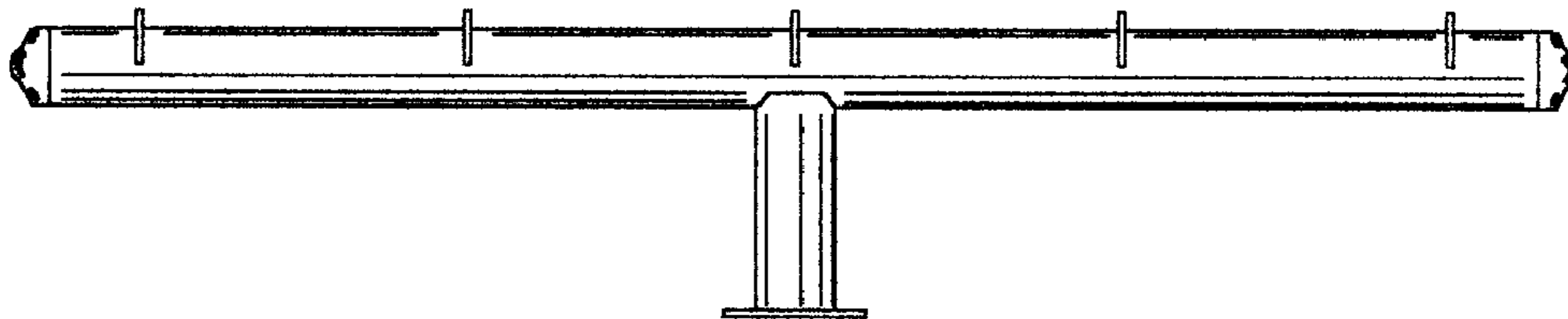


FIG. 3

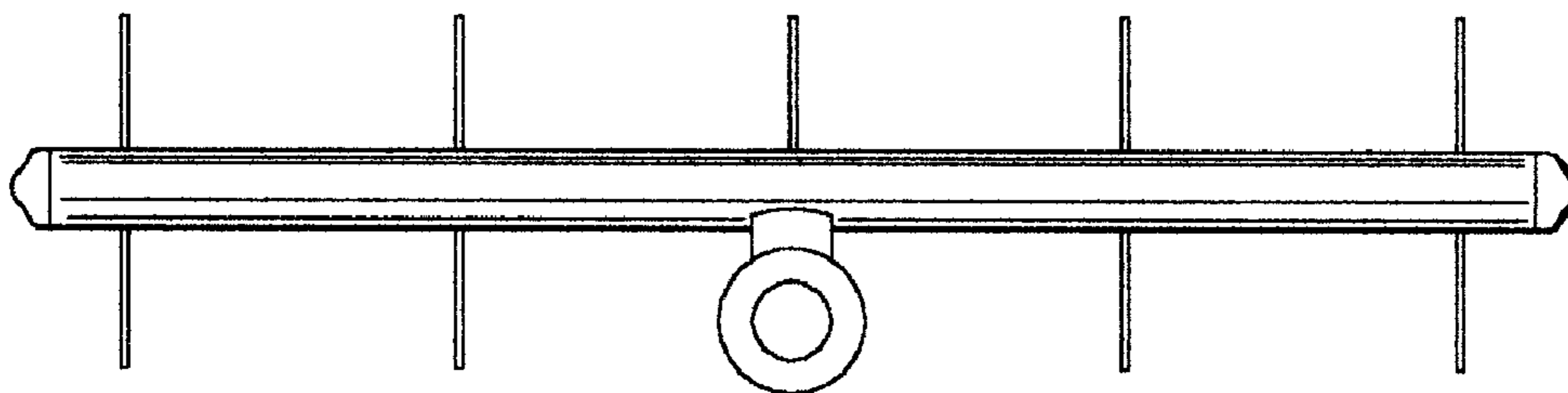


FIG. 4

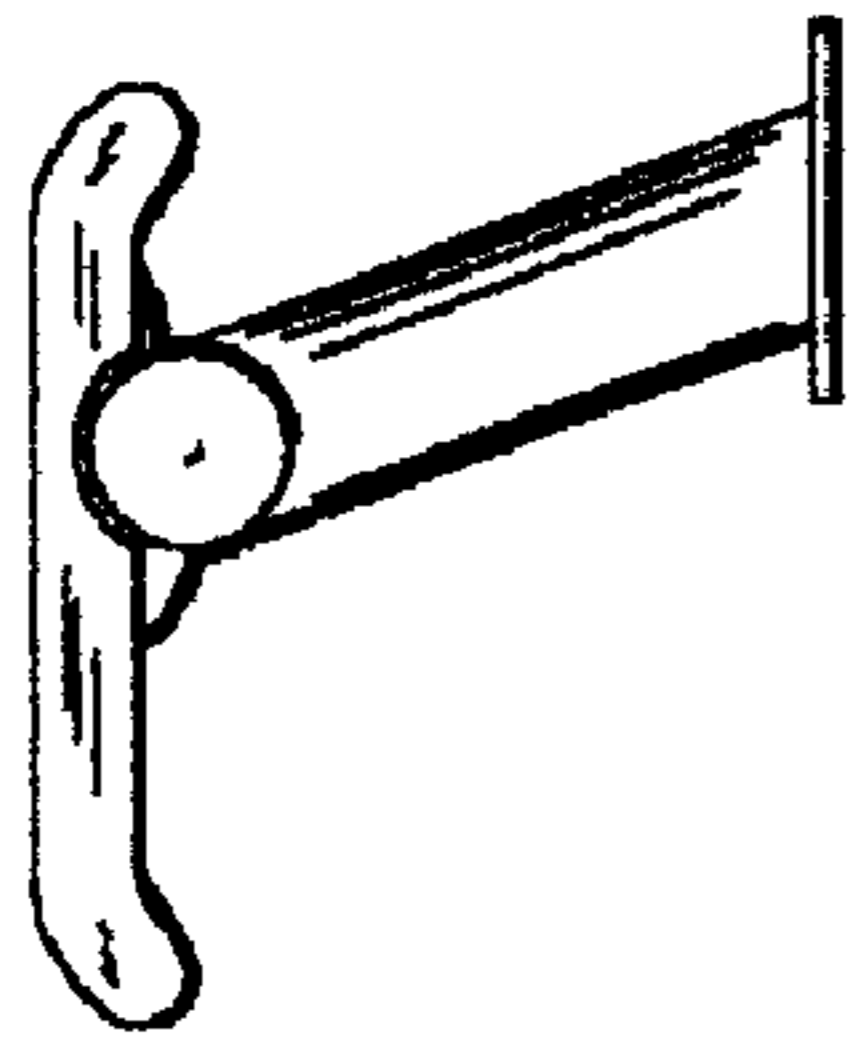


FIG. 5

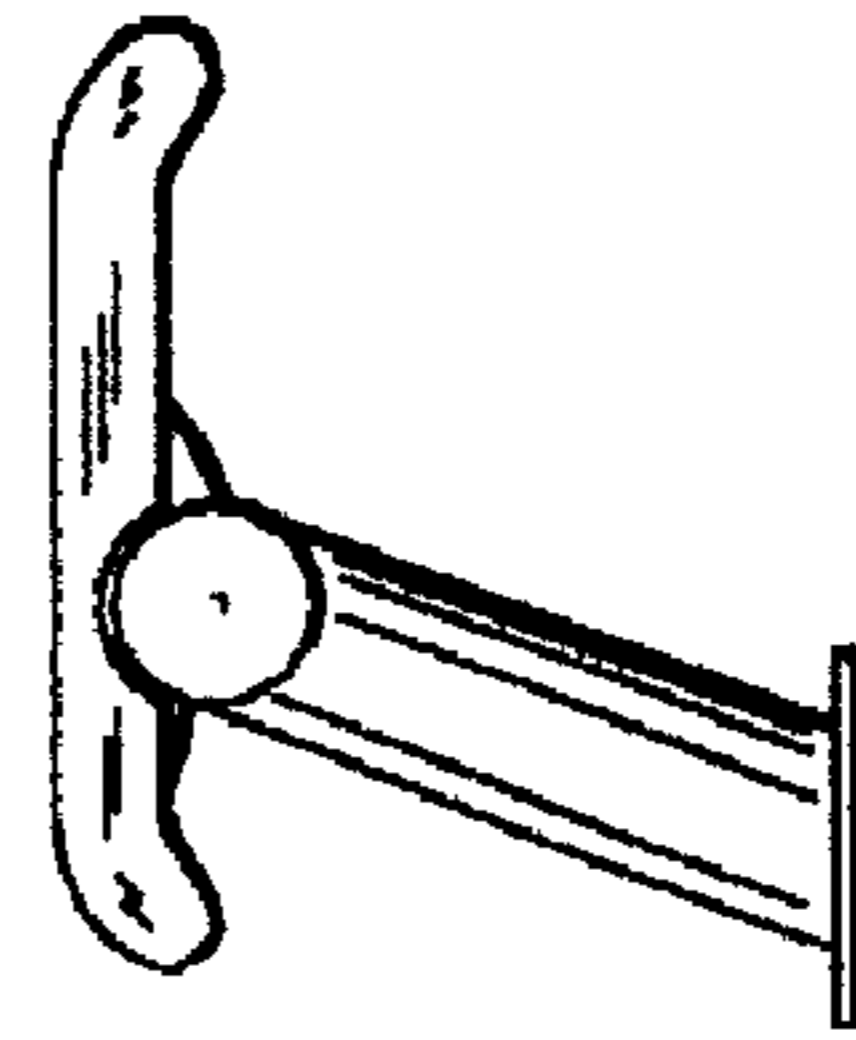


FIG. 6

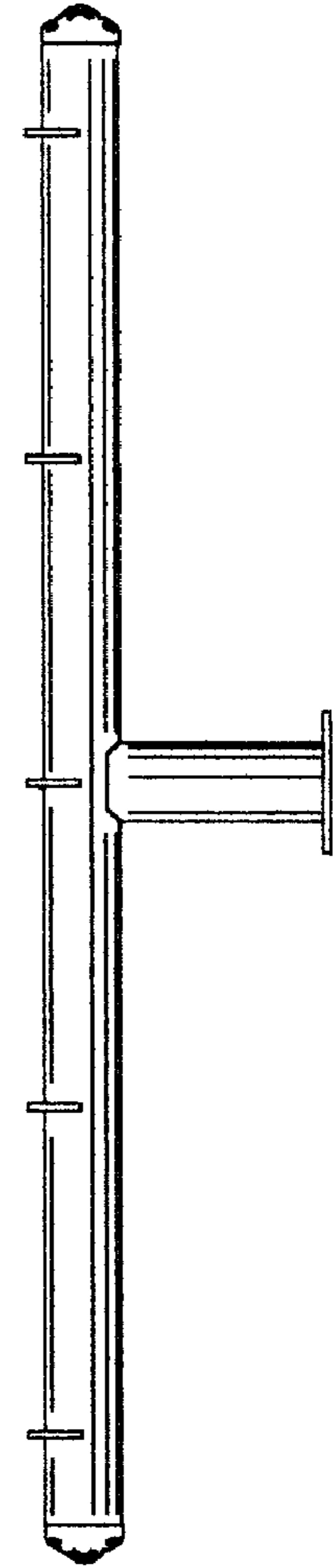


FIG. 7