



US00D530108S

(12) **United States Design Patent**
Whiteside et al.

(10) **Patent No.:** **US D530,108 S**

(45) **Date of Patent:** **** Oct. 17, 2006**

(54) **MOBILE CHAIR**

(75) Inventors: **Kirt E. Whiteside**, Marion, OH (US);
Terry L. Whiteside, Delaware, OH
(US); **Kristin C. Mays**, Delaware, OH
(US); **Don Brimhall**, Delaware, OH
(US); **George Wolber**, Ada, OH (US);
Shane Obitts, Elyria, OH (US)

(73) Assignee: **Whiteside Mfg. Co.**, Delaware, OH
(US)

(**) Term: **14 Years**

(21) Appl. No.: **29/253,798**

(22) Filed: **Feb. 13, 2006**

(51) **LOC (8) Cl.** **06-01**

(52) **U.S. Cl.** **D6/349**

(58) **Field of Classification Search** D6/332,
D6/335-337, 340, 349, 355, 352-353, 369-370,
D6/381, 495, 499-502; 5/12.1; 108/118,
108/119, 137; 297/16.1-16.2, 451.9, 452.11,
297/452.63, 217.1, 31, 175, 423.1, 423.16,
297/461, 232, 423.12

See application file for complete search history.

(56) **References Cited**

U.S. PATENT DOCUMENTS

4,397,374 A * 8/1983 Rumage et al. 182/129
D292,454 S * 10/1987 Rykken D6/335

D353,058 S * 12/1994 Dallas D6/336
RE35,732 E * 2/1998 Shockley 280/32.6
D399,626 S * 10/1998 Taylor D34/23
D410,128 S * 5/1999 Dallas et al. D34/23
6,010,187 A * 1/2000 Dallas et al. 297/188.08
6,123,392 A * 9/2000 Alfred et al. 297/466
6,199,877 B1 * 3/2001 Shockley 280/32.6
D456,647 S * 5/2002 Whiteside et al. D6/498
D461,964 S * 8/2002 Chen D6/335
6,702,065 B1 * 3/2004 Ehnes 182/150
6,733,073 B1 * 5/2004 Whiteside et al. 297/188.08
D511,416 S * 11/2005 Obbitts et al. D6/336

* cited by examiner

Primary Examiner—Sandra S. Snapp

(74) *Attorney, Agent, or Firm*—Renner, Kenner, Greive,
Bobak, Taylor & Weber

(57) **CLAIM**

The ornamental design for a mobile chair, as shown and
described.

DESCRIPTION

FIG. 1 is a top, front, left side perspective view of a mobile
chair showing our new design;
FIG. 2 is a top plan view thereof;
FIG. 3 is a left side elevational view thereof, the right side
being a mirror image of FIG. 3;
FIG. 4 is a front elevational view thereof;
FIG. 5 is a rear elevational view thereof; and,
FIG. 6 is a bottom plan view thereof.

1 Claim, 4 Drawing Sheets

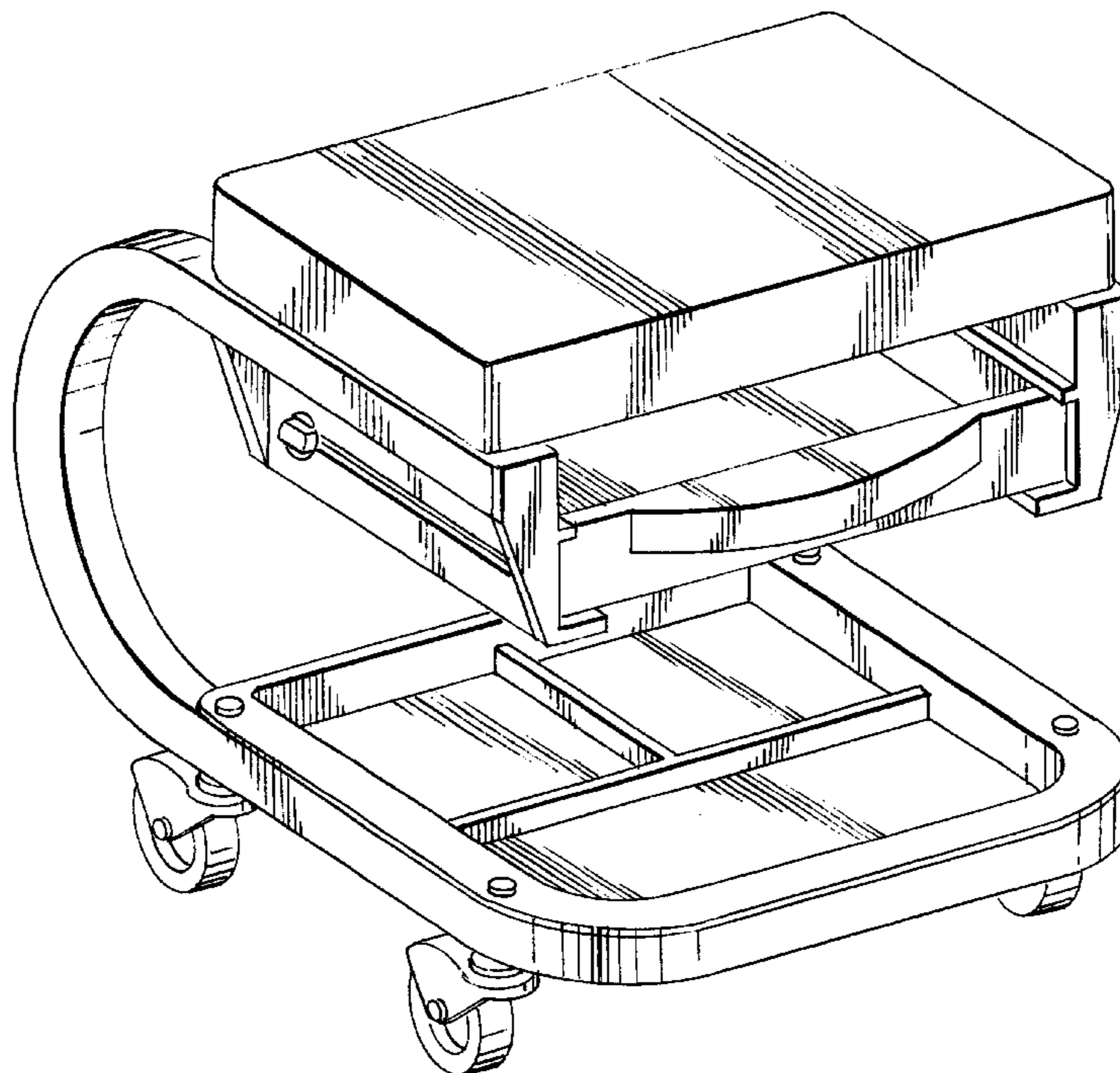
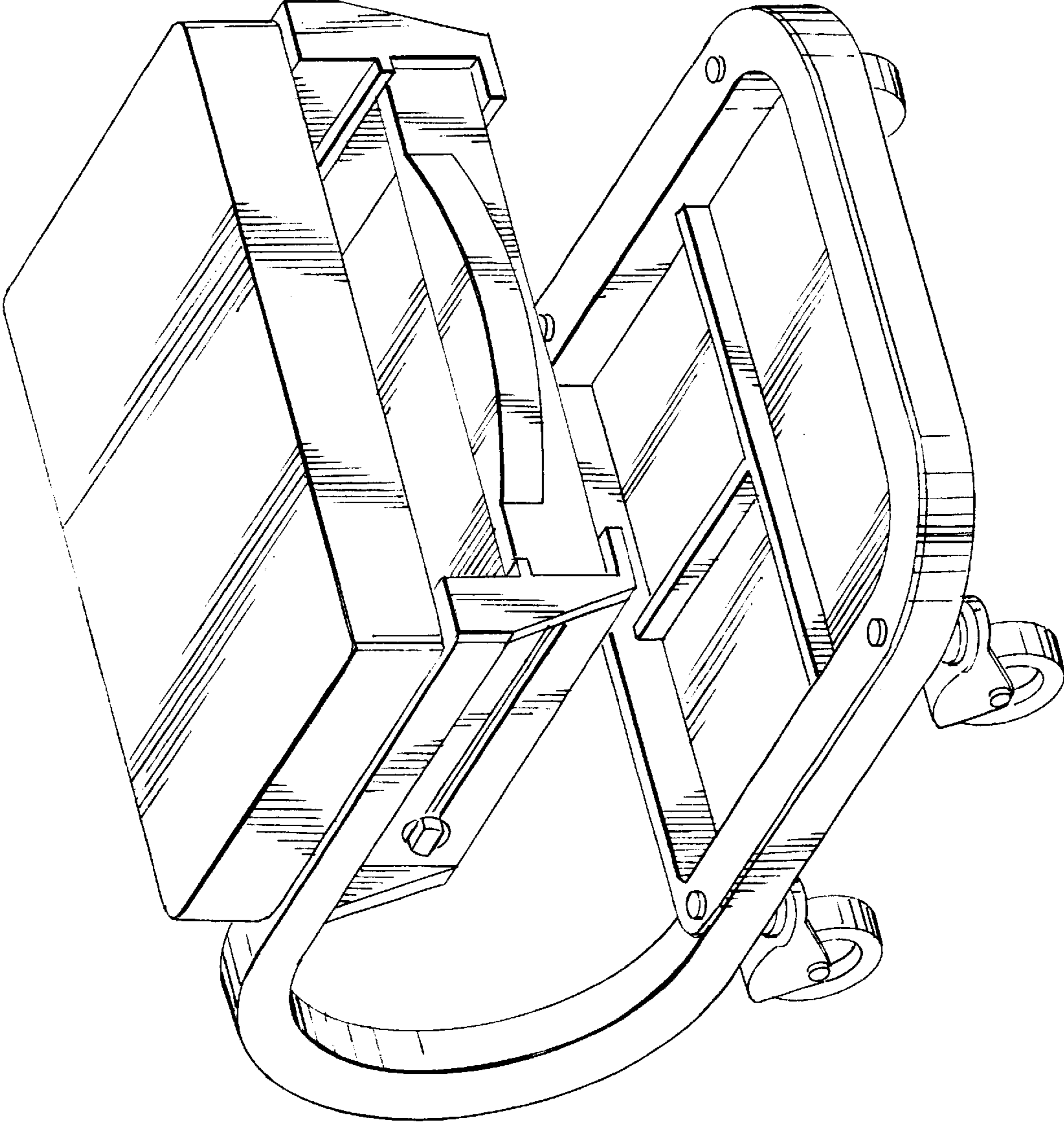


FIG. 1



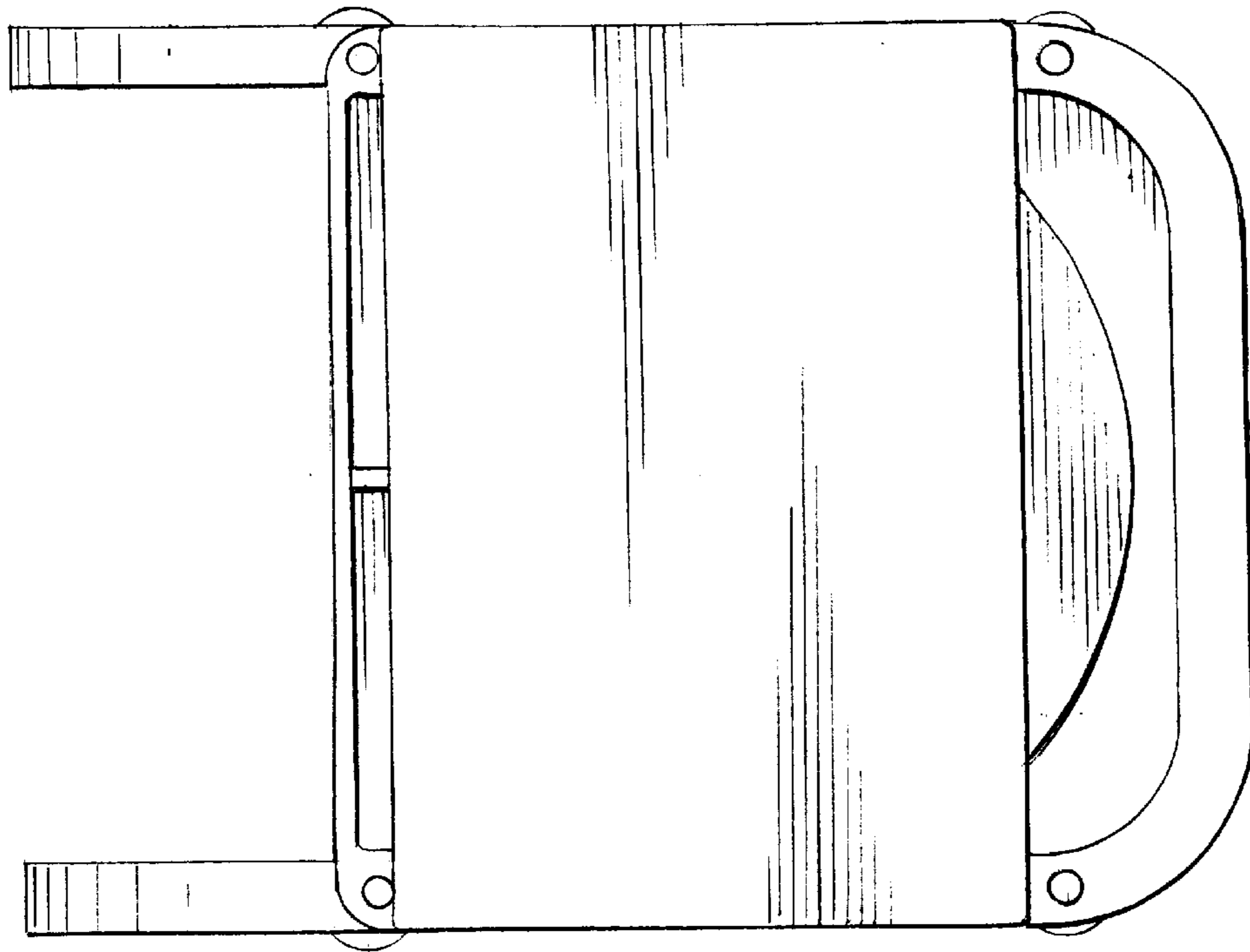


FIG. 2

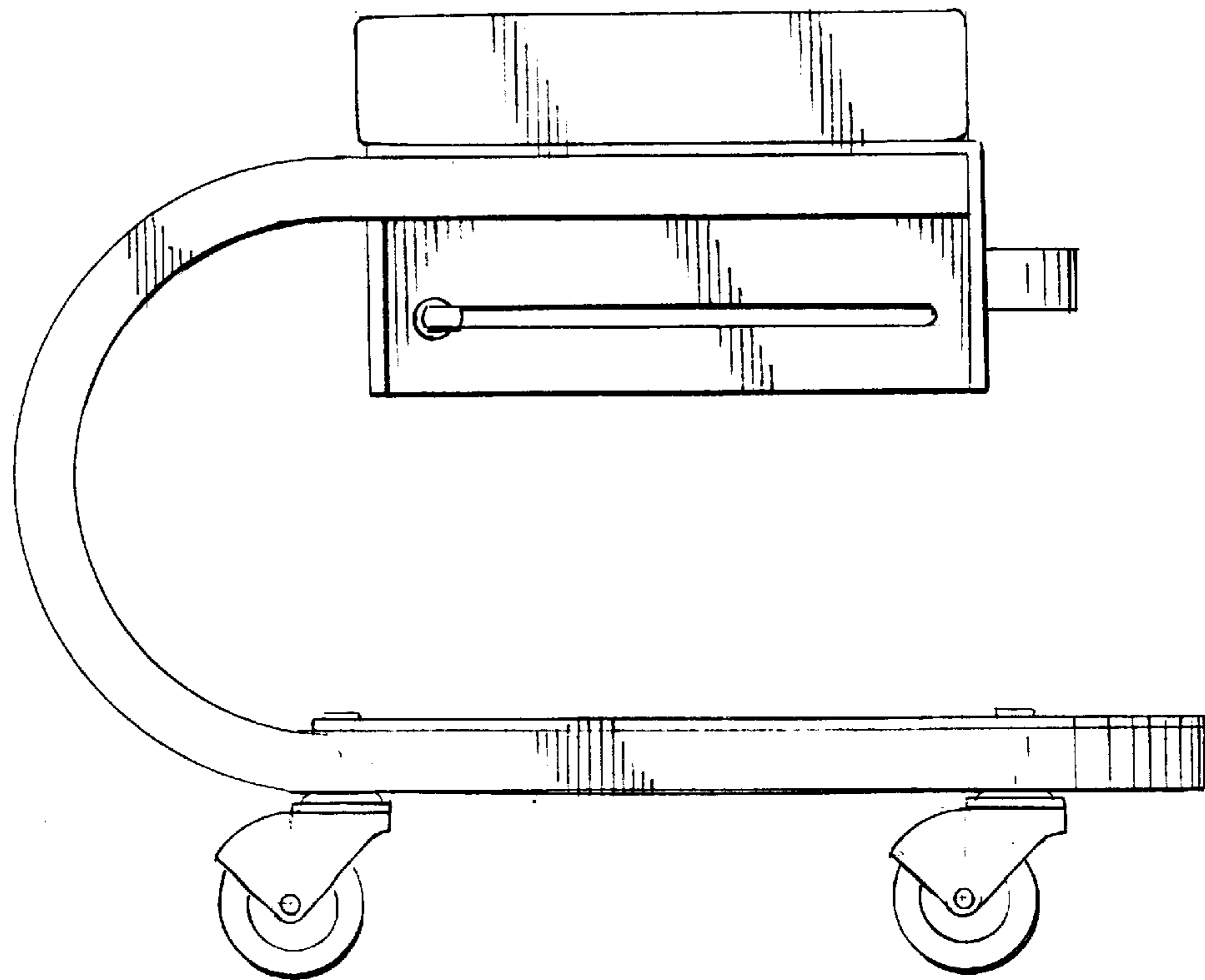


FIG. 3

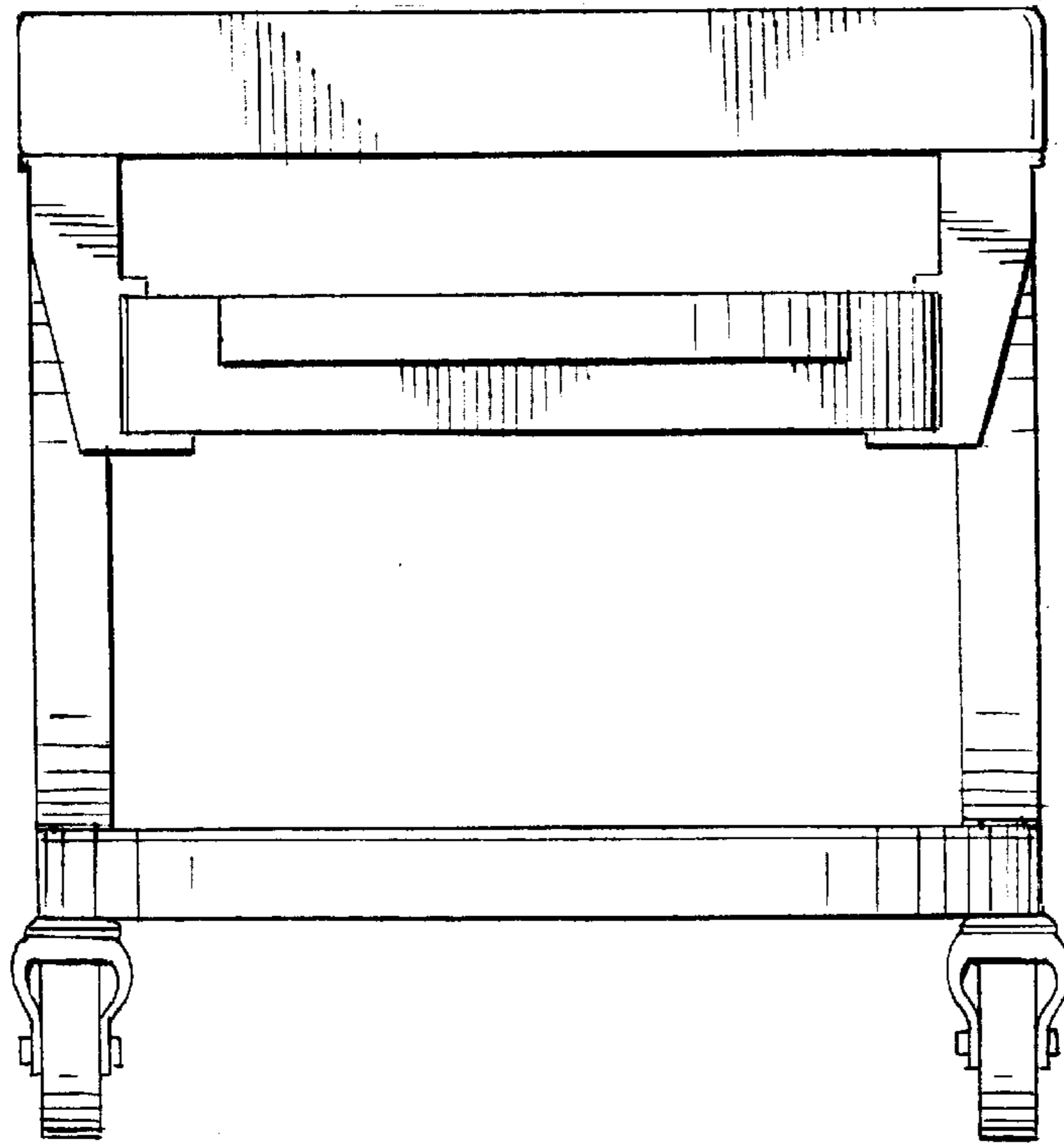


FIG. 4

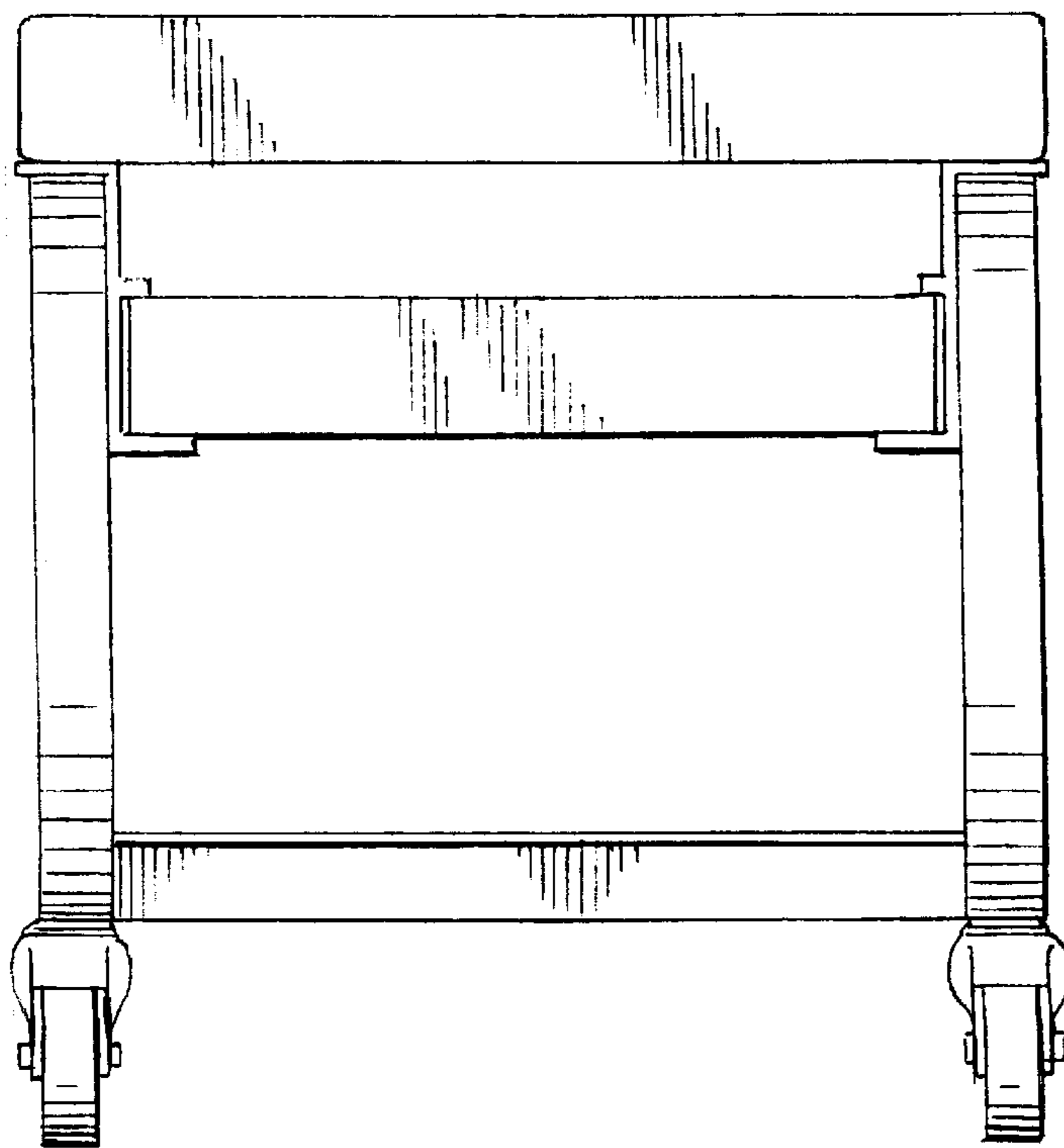


FIG. 5

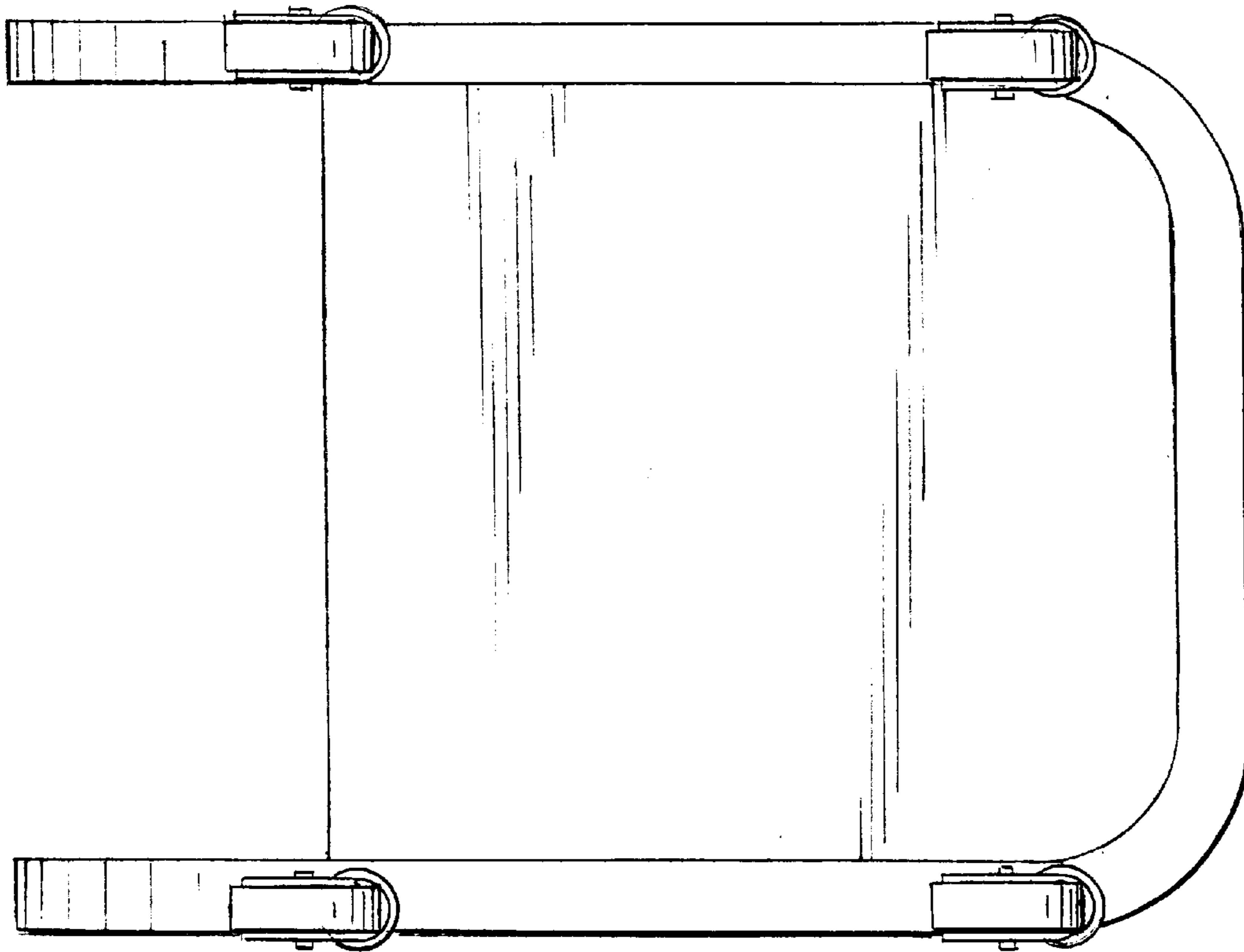


FIG. 6