



US00D530104S

(12) **United States Design Patent**  
**Saffell et al.**

(10) **Patent No.: US D530,104 S**

(45) **Date of Patent: \*\* Oct. 17, 2006**

(54) **WORK SPACE DIVIDER**

(75) Inventors: **Mark Baker Saffell**, Manhattan Beach, CA (US); **David J. Ritch**, Malibu, CA (US)

(73) Assignee: **Herman Miller, Inc.**, Zeeland, MI (US)

(\*\*) Term: **14 Years**

(21) Appl. No.: **29/209,774**

(22) Filed: **Jul. 21, 2004**

(51) **LOC (8) Cl.** ..... **06-01**

(52) **U.S. Cl.** ..... **D6/332**

(58) **Field of Classification Search** ..... D6/332,

D6/396, 397, 414, 421, 509, 449; D25/58;

135/50, 50.11, 901, 906; 160/135, 351; 211/180;

312/4-6, 194, 195, 265.4

See application file for complete search history.

(56) **References Cited**

**U.S. PATENT DOCUMENTS**

607,933	A	*	7/1898	Laird	.....	135/125
2,324,389	A	*	7/1943	Heidbrink	.....	128/204.29
D147,386	S	*	8/1947	Thomas	.....	D6/336
3,004,542	A	*	10/1961	Moody	.....	135/97
3,039,478	A	*	6/1962	Timmons	.....	135/137
D197,005	S	*	12/1963	Beckenkamp	.....	D25/16
D212,081	S	*	8/1968	Dreyfuss	.....	D25/16
3,482,599	A	*	12/1969	Schmit	.....	137/590

D249,609	S	*	9/1978	Kramer	.....	D6/421
D286,108	S	*	10/1986	Hanlon	.....	D6/449
D286,956	S	*	12/1986	Lockwood	.....	D6/396
D329,150	S	*	9/1992	Ball	.....	D6/397
D353,946	S	*	1/1995	Fischer et al.	.....	D6/332
D354,818	S	*	1/1995	Johnson	.....	D25/58
D385,044	S	*	10/1997	Johnson	.....	D25/58
D457,359	S	*	5/2002	Chan	.....	D6/492
D458,041	S	*	6/2002	Couture et al.	.....	D6/332
6,684,576	B1	*	2/2004	Grandin	.....	52/36.1
2002/0179133	A1	*	12/2002	Abbinante	.....	135/124
2003/0041529	A1	*	3/2003	Grandin	.....	52/36.1

\* cited by examiner

*Primary Examiner*—Sandra S. Snapp

(74) *Attorney, Agent, or Firm*—Brinks Hofer Gilson & Lione

(57) **CLAIM**

We claim the ornamental design for a work space divider, as shown and described.

**DESCRIPTION**

FIG. 1 is a perspective view of a work space divider of the present invention;

FIG. 2 is a front view thereof;

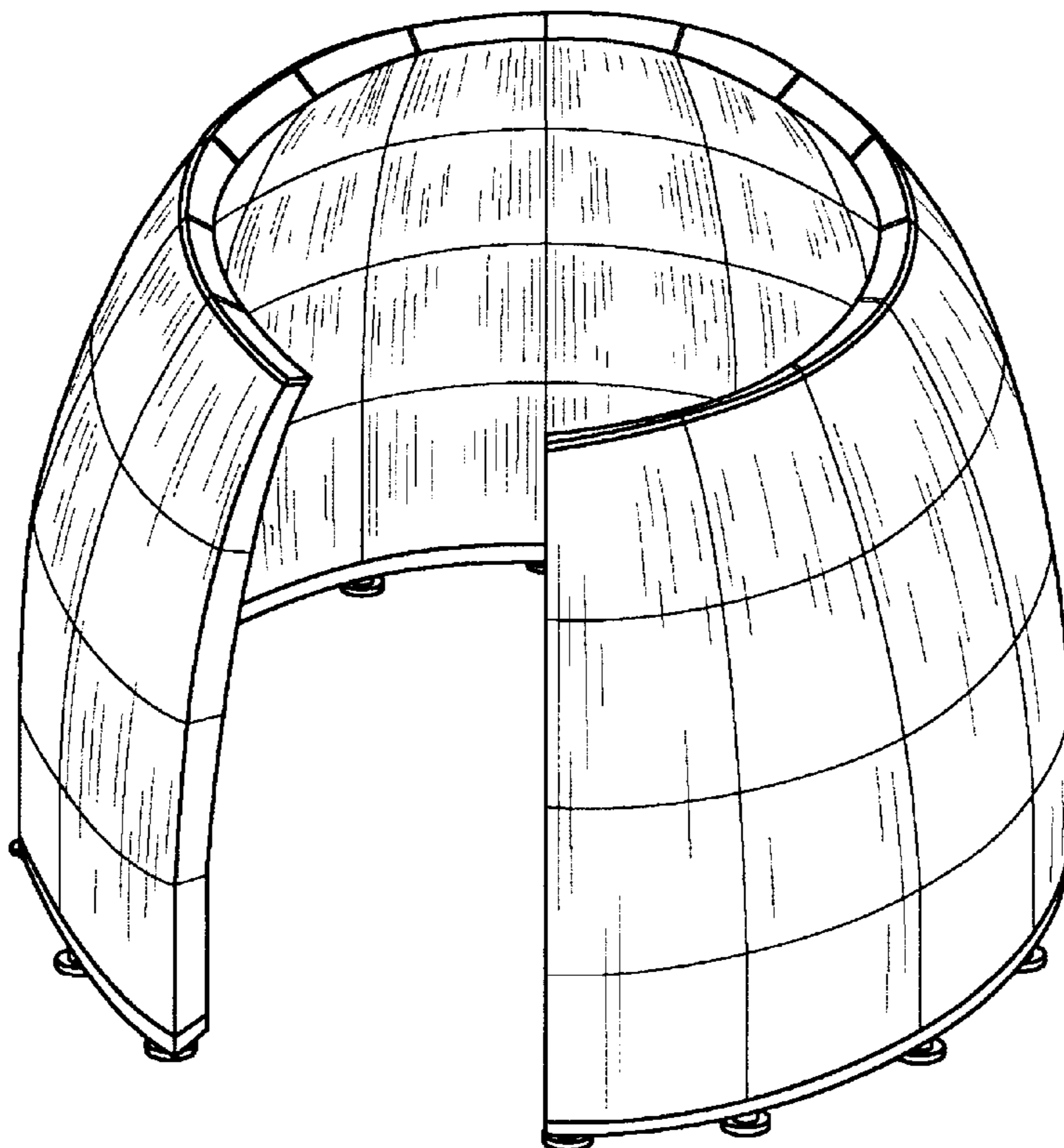
FIG. 3 is a rear view thereof;

FIG. 4 is a side view thereof;

FIG. 5 is a top view thereof; and,

FIG. 6 is a bottom view thereof.

**1 Claim, 3 Drawing Sheets**



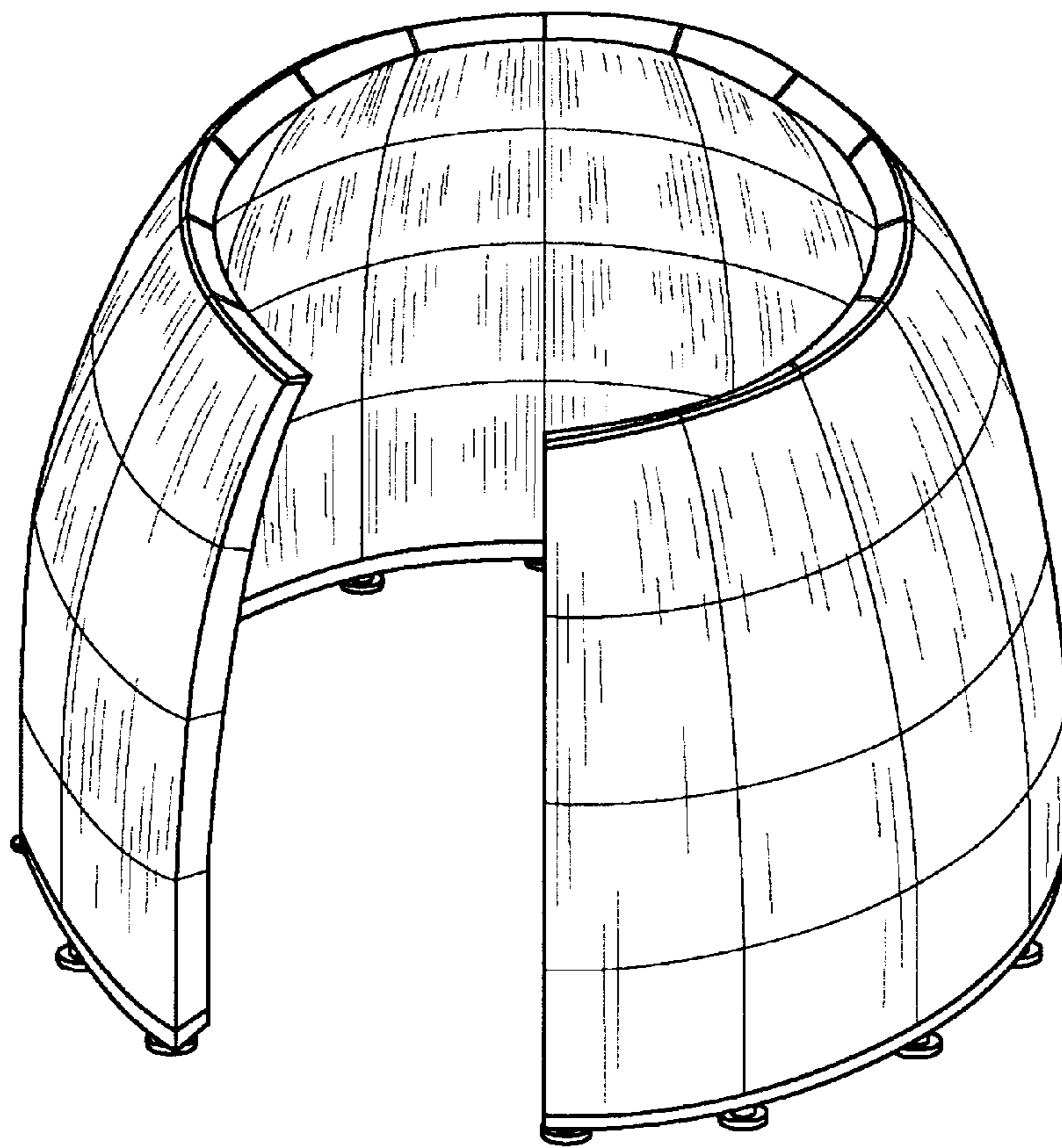


FIG. 1

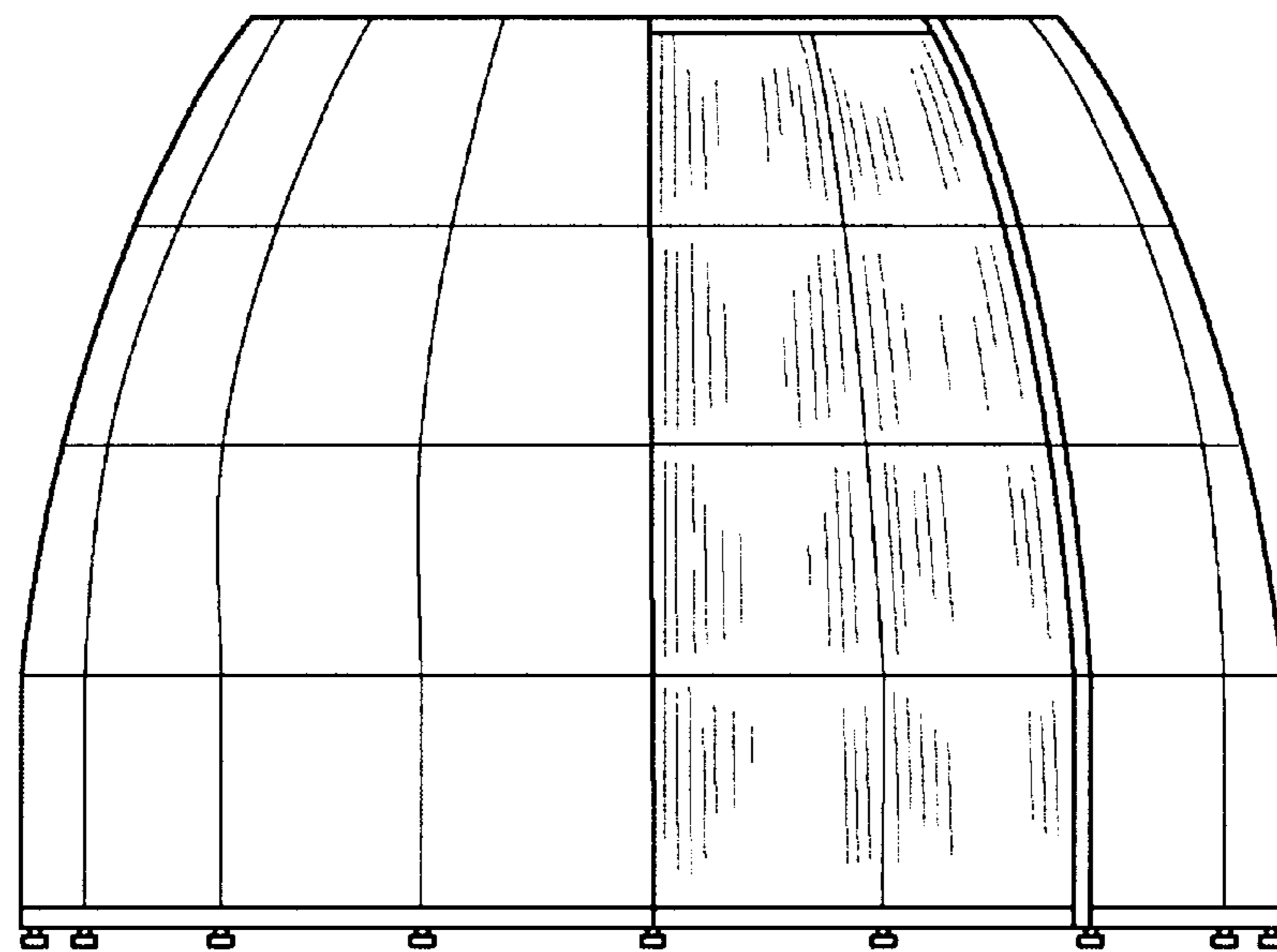


FIG. 2

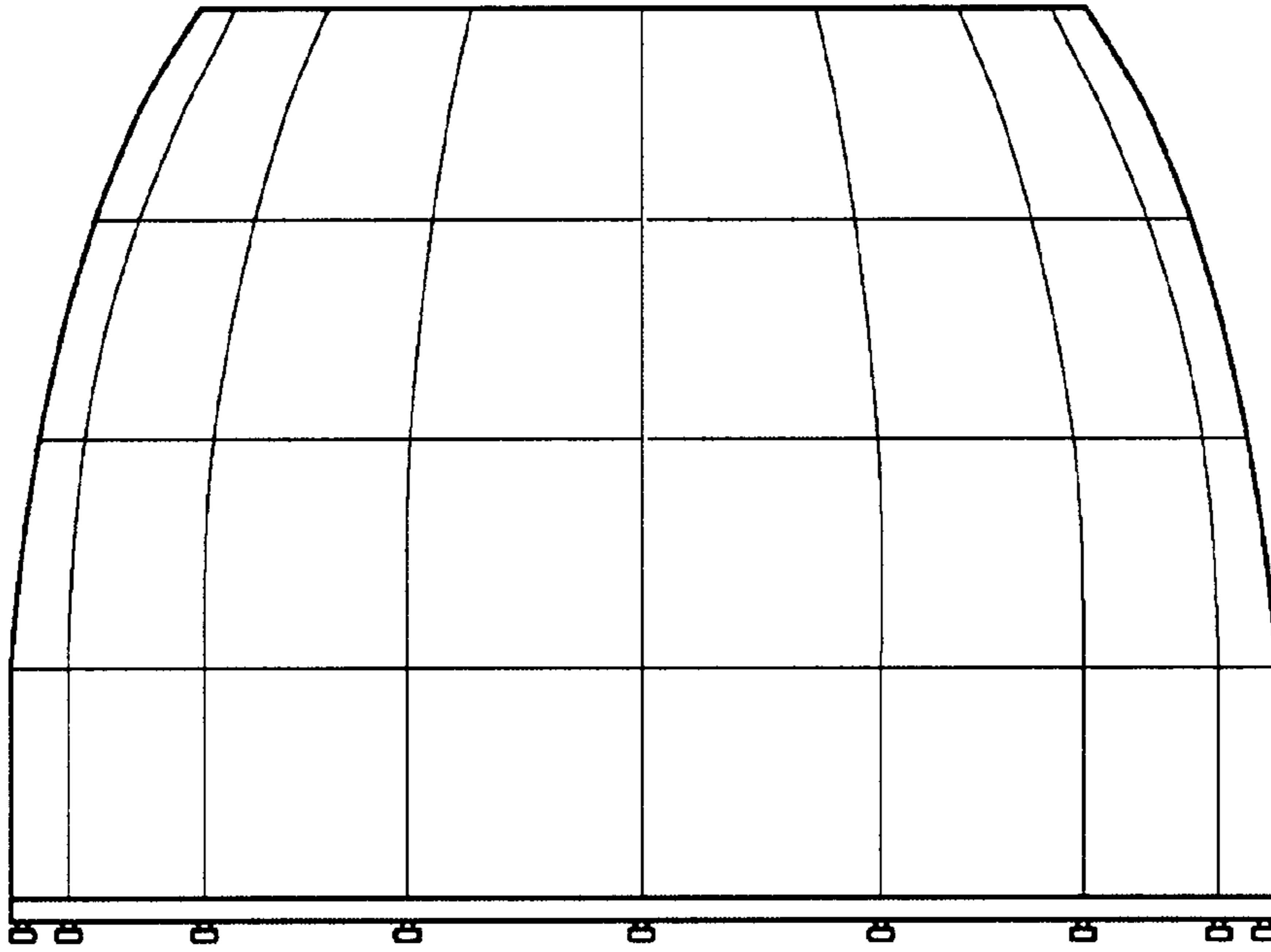


FIG. 3

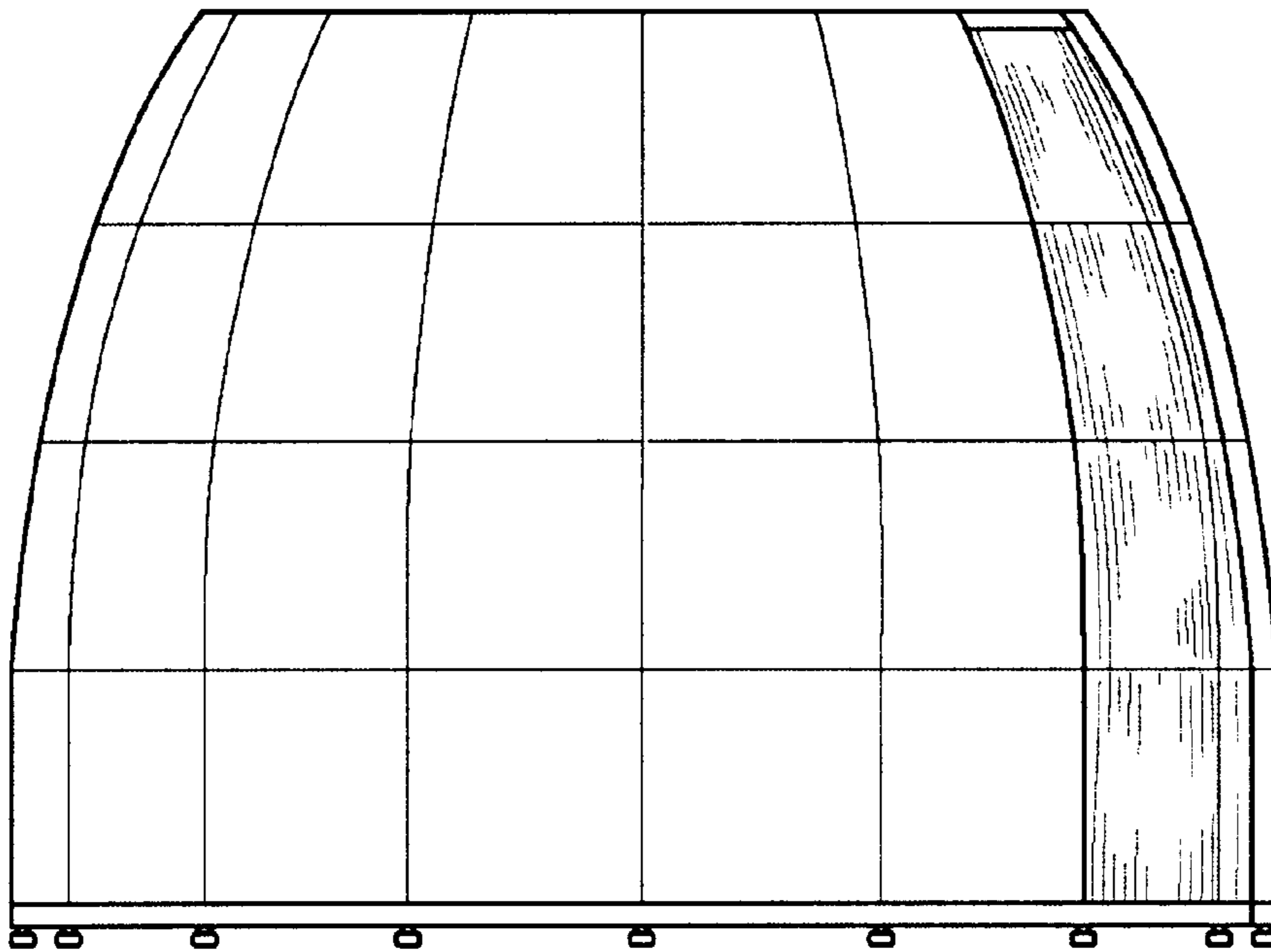


FIG. 4

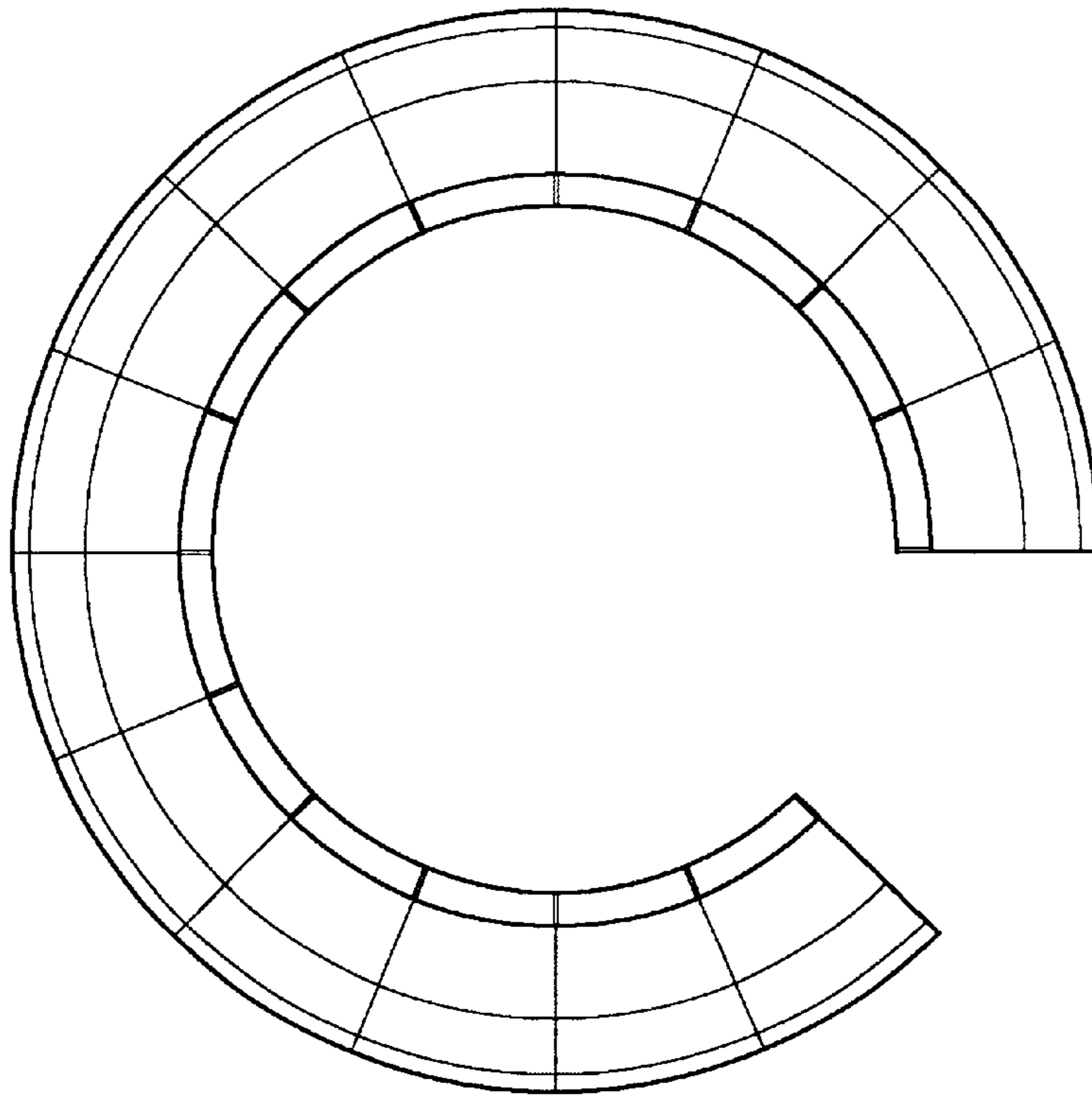


FIG. 5

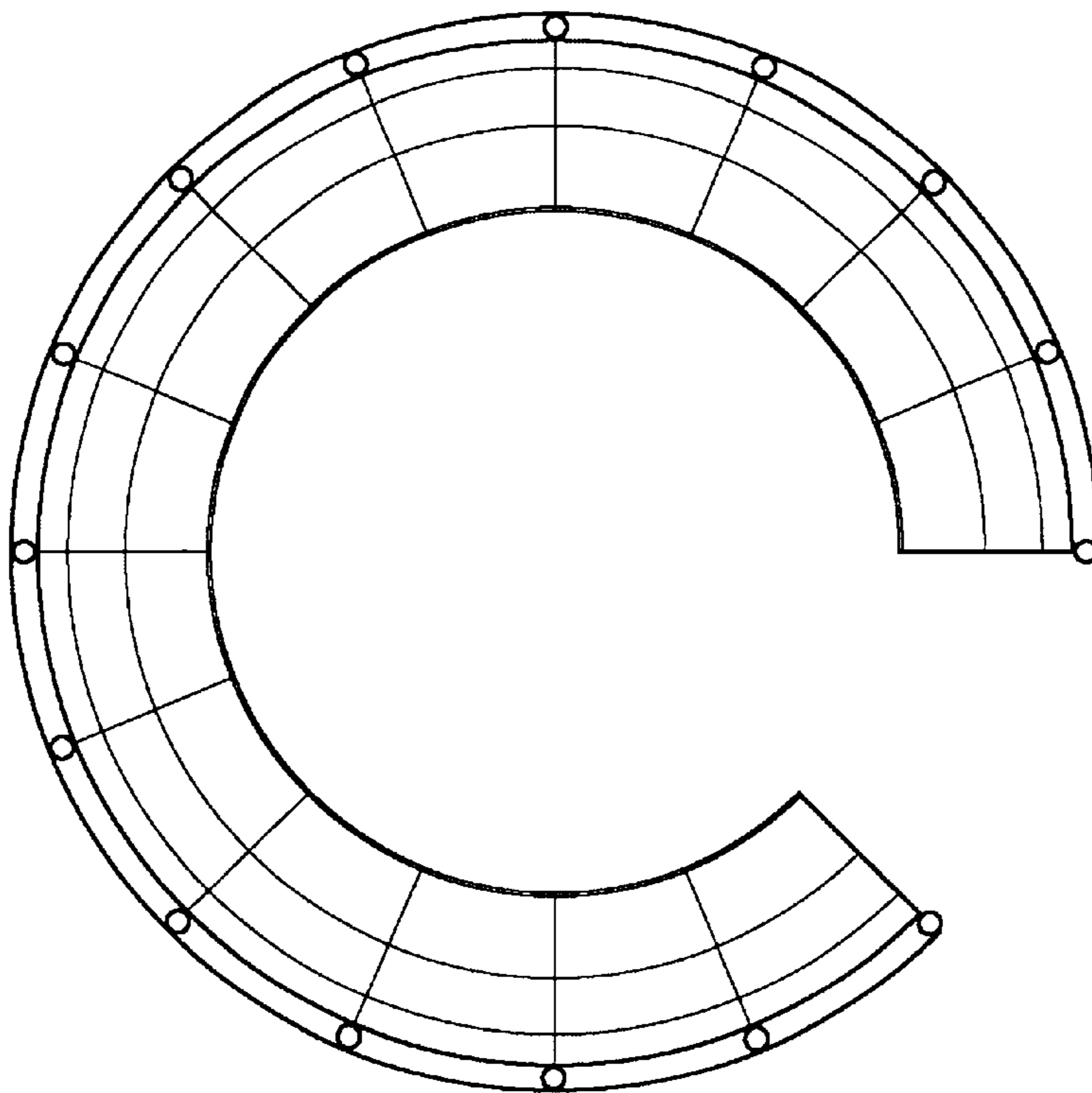


FIG. 6