



US00D530098S

(12) **United States Design Patent**  
**Neal et al.**

(10) **Patent No.:** **US D530,098 S**

(45) **Date of Patent:** **\*\* Oct. 17, 2006**

(54) **COMBINATION BARBECUE GRILL CARE TOOL**

(75) Inventors: **Ryan Neal**, Midland, GA (US);  
**Kenneth Jordan**, Columbus, GA (US);  
**Richard Harris**, Beaver Creek, OH (US);  
**Mike Rowe**, Kettering, OH (US)

(73) Assignee: **W.C. Bradley Company**, Columbus, GA (US)

(\*\*) Term: **14 Years**

(21) Appl. No.: **29/165,295**

(22) Filed: **Aug. 6, 2002**

(51) **LOC (8) Cl.** ..... **04-01**

(52) **U.S. Cl.** ..... **D4/118; D4/132; D4/136**

(58) **Field of Classification Search** ..... D4/118,  
D4/132, 134, 136, 138; 15/143.1, 159.1,  
15/160, 186-188, 105, 111, 236.01, 236.02,  
15/236.05, 236.06; D32/42; 16/110.1, 430  
See application file for complete search history.

(56) **References Cited**

**U.S. PATENT DOCUMENTS**

D307,077 S \* 4/1990 Bryant ..... D4/138

D333,921 S \* 3/1993 Vetter ..... D4/118  
D349,193 S \* 8/1994 Sloan et al. .... D4/118  
D358,491 S \* 5/1995 Hoagland ..... D4/138  
D428,705 S \* 8/2000 Larson ..... D4/132  
D459,586 S \* 7/2002 Cummings et al. .... D4/118

\* cited by examiner

*Primary Examiner*—Alan P. Douglas

*Assistant Examiner*—Lavone D. Tabor

(74) *Attorney, Agent, or Firm*—James W. Kayden; Thomas, Kayden, Horstemeyer & Risley, LLP

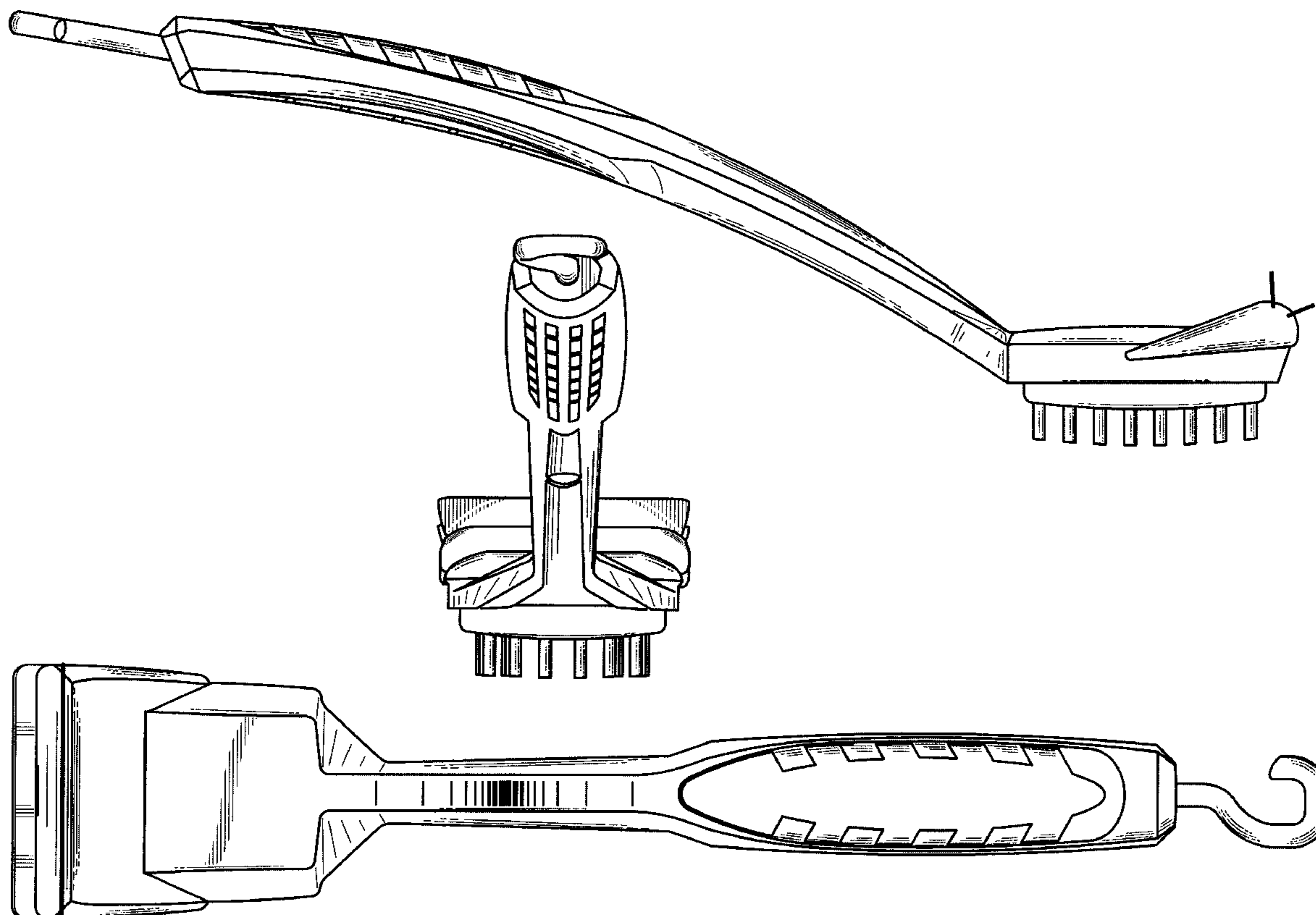
(57) **CLAIM**

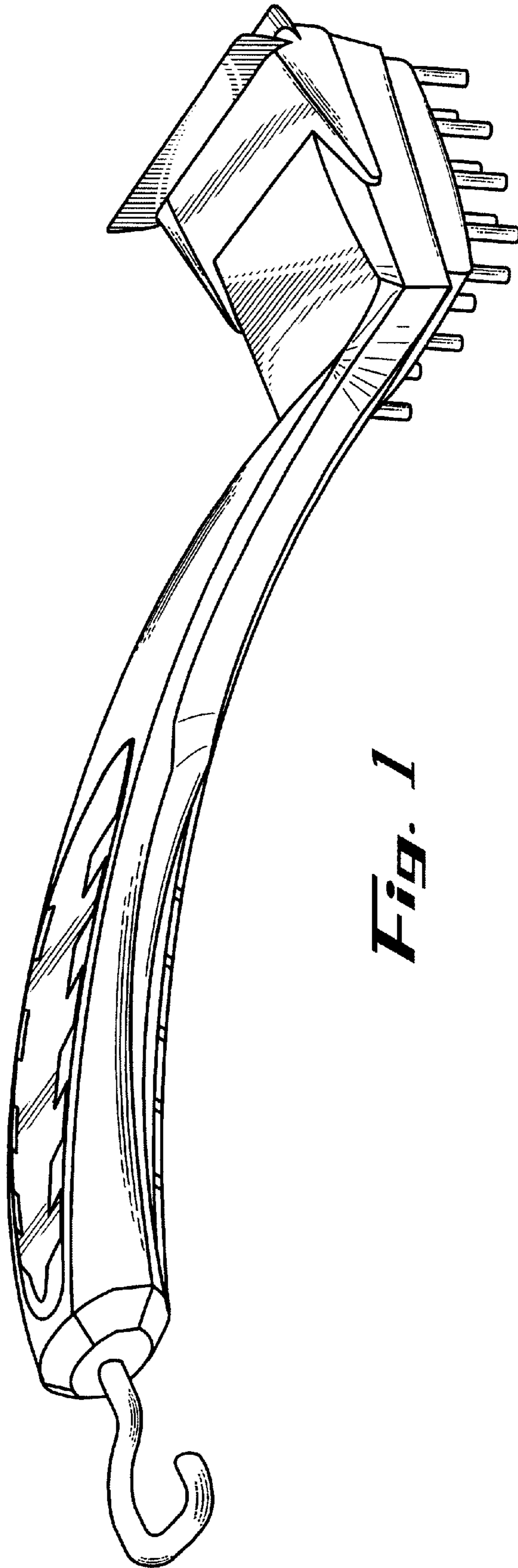
The ornamental design of a combination barbecue grill care tool, as shown and described.

**DESCRIPTION**

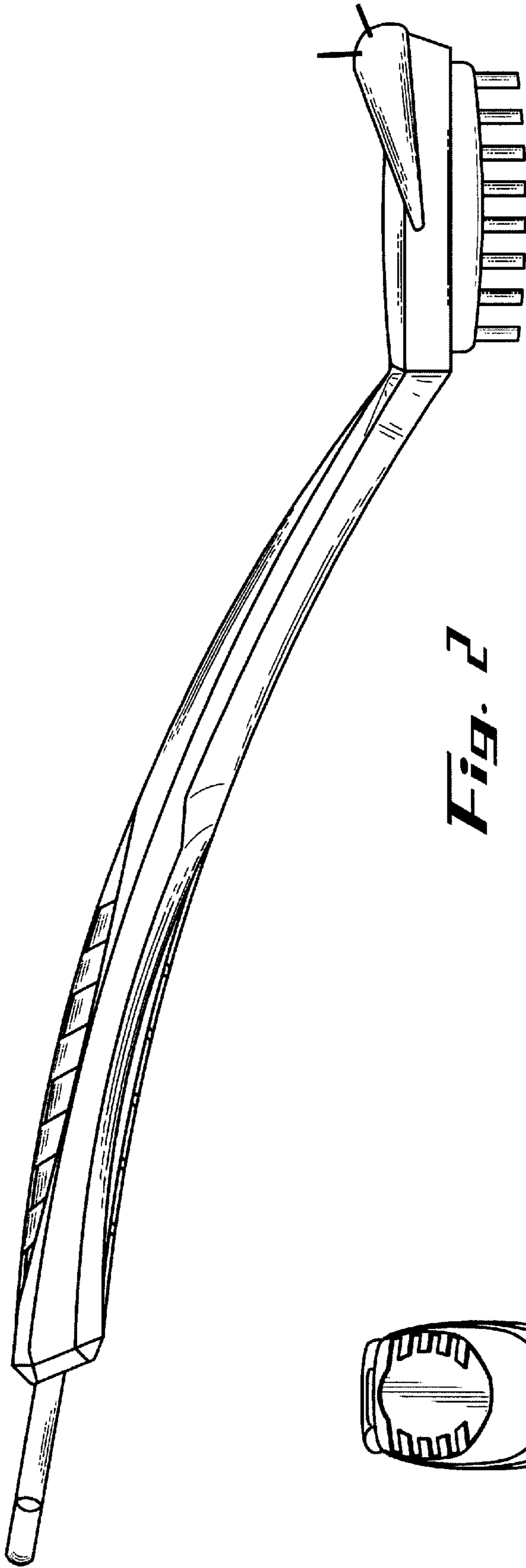
FIG. 1 is a perspective view showing our new combination barbecue grill care tool;  
FIG. 2 is a left side elevational view thereof;  
FIG. 3 is a front elevational view thereof;  
FIG. 4 is a right side elevational view thereof;  
FIG. 5 is a rear elevational view thereof; and  
FIG. 6 is a top plan view thereof; and,  
FIG. 7 is a bottom plan view thereof.

**1 Claim, 4 Drawing Sheets**

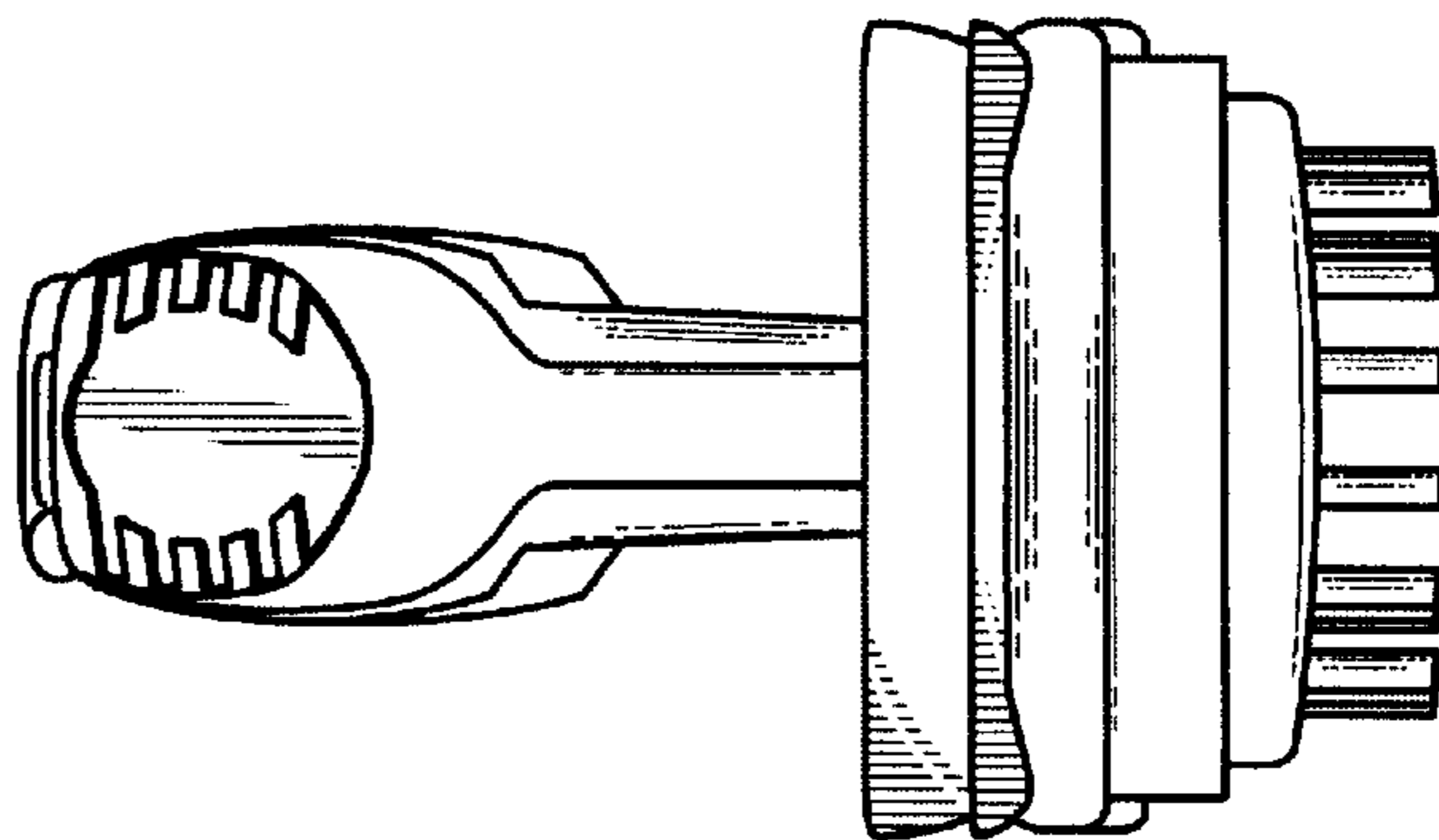




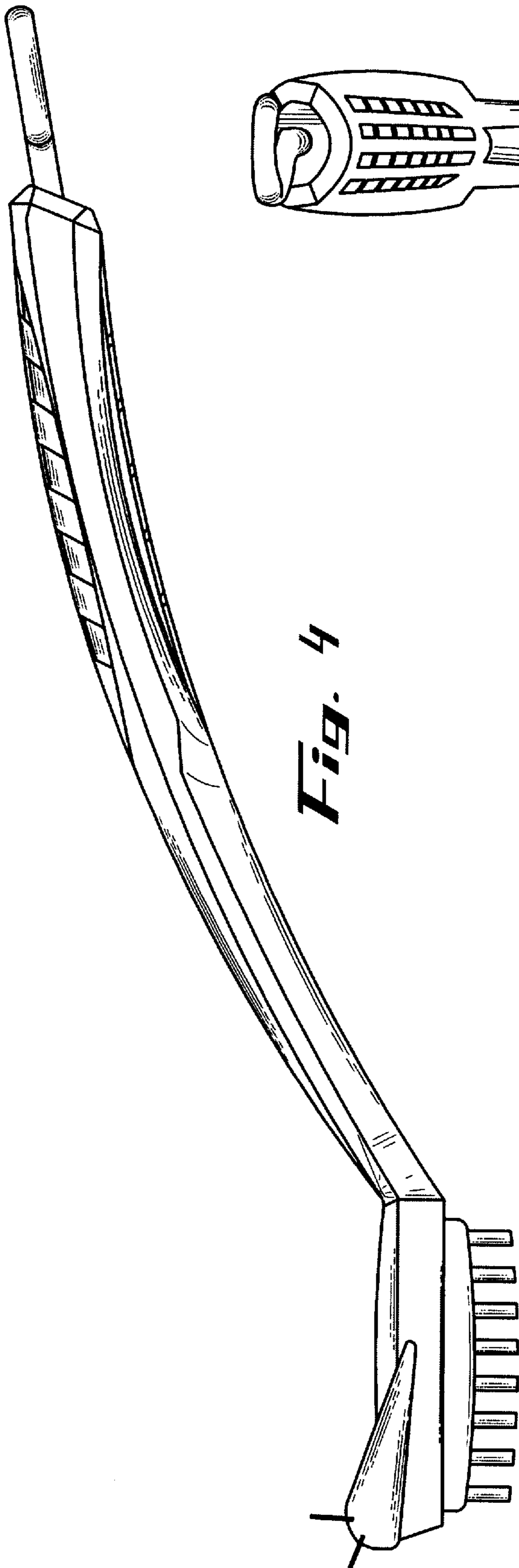
*Fig. 1*



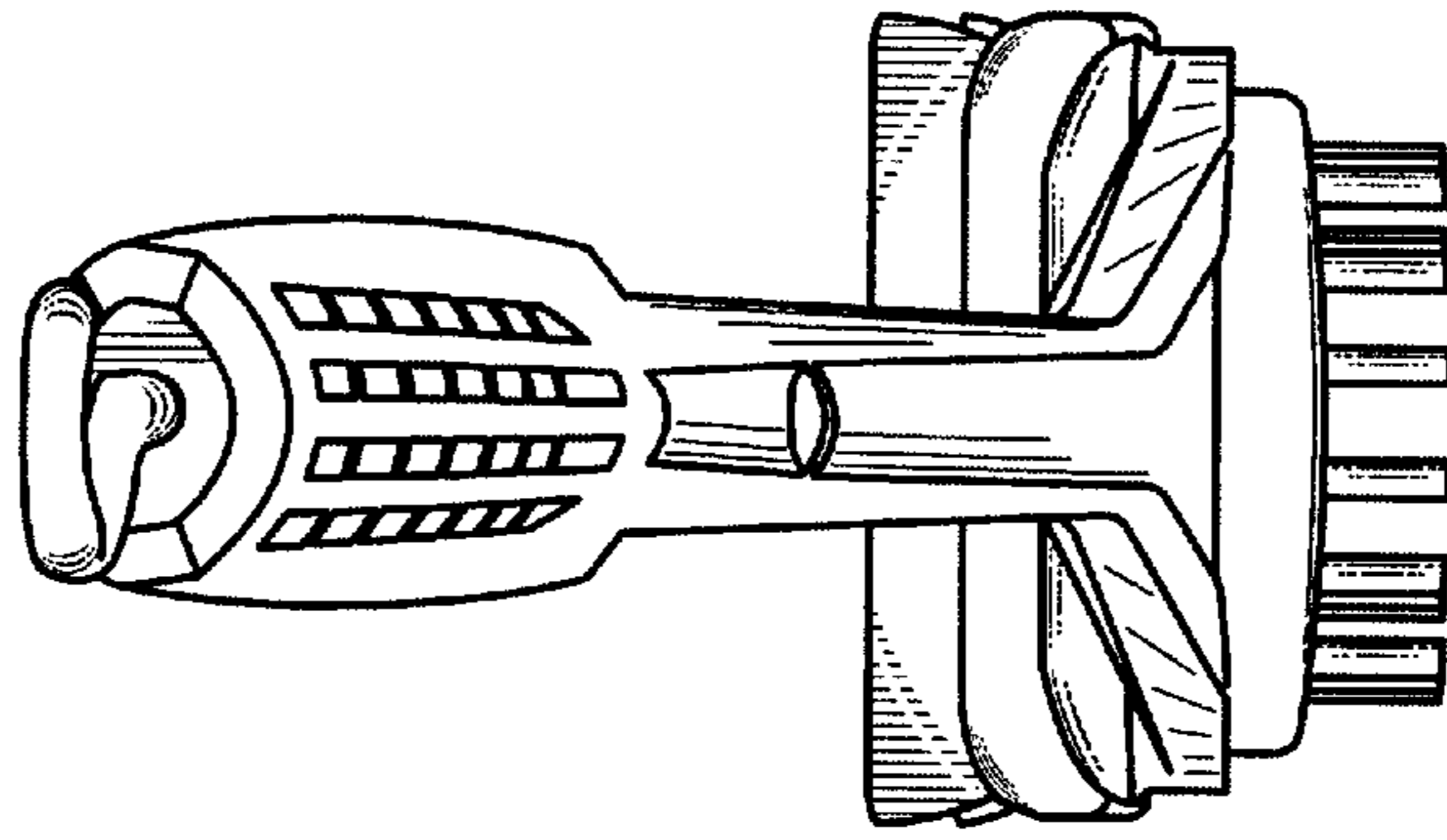
*Fig. 2*



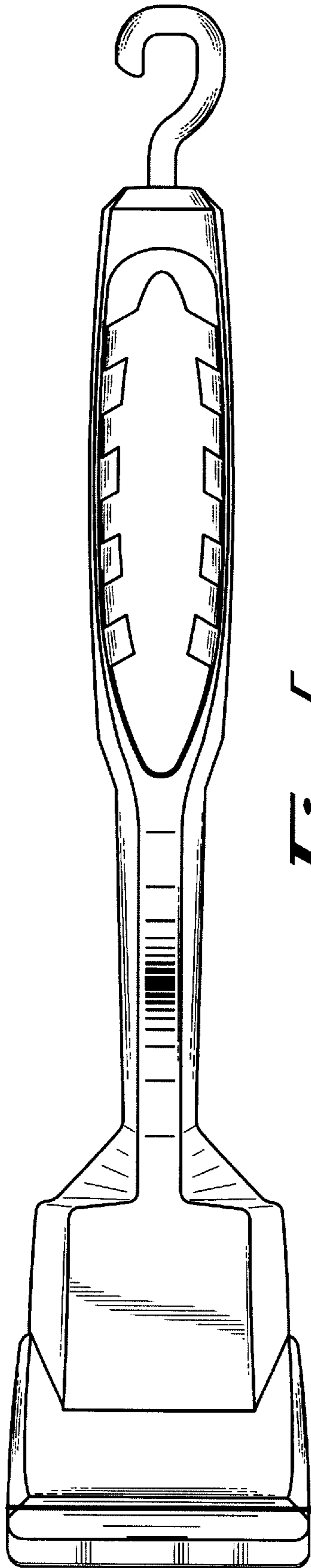
*Fig. 3*



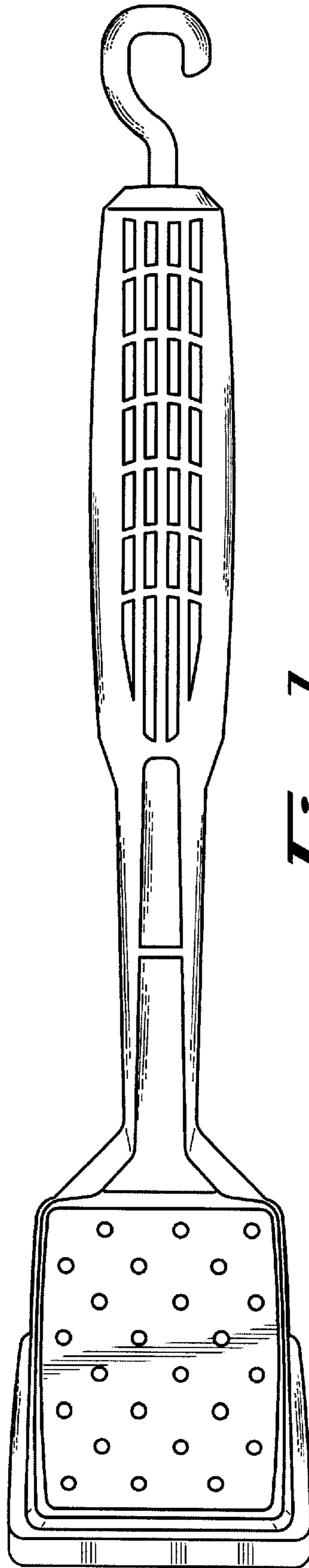
*Fig. 4*



*Fig. 5*



*Fig. 6*



*Fig. 7*