



US00D530096S

(12) **United States Design Patent**  
**Bruce**

(10) **Patent No.:** **US D530,096 S**

(45) **Date of Patent:** **\*\* Oct. 17, 2006**

(54) **DEGRADABLE DISPOSABLE TOOTHBRUSH**

(76) **Inventor:** **Paul E. Bruce**, 4709 Pilgrim Rd.,  
Baltimore, MD (US) 21214

(\*\*) **Term:** **14 Years**

(21) **Appl. No.:** **29/224,968**

(22) **Filed:** **Mar. 10, 2005**

(51) **LOC (8) Cl.** ..... **04-02**

(52) **U.S. Cl.** ..... **D4/108**

(58) **Field of Classification Search** ..... D4/104-113,  
D4/114, 121, 134, 138; 15/167.1, 167.2,  
15/176.1, 176.6, 184; 132/308, 309, 311  
See application file for complete search history.

(56) **References Cited**

**U.S. PATENT DOCUMENTS**

3,021,850	A	*	2/1962	Smith et al.	.....	401/190
4,062,635	A		12/1977	Teh-Sheng		
4,265,560	A		5/1981	Spica		
5,407,287	A		4/1995	Braun et al.		
5,439,014	A		8/1995	Moussa		
5,584,593	A		12/1996	Lafortune		
D402,812	S	*	12/1998	Goff	.....	D4/108

5,918,996	A	*	7/1999	Coolbaugh	.....	401/175
6,056,466	A		5/2000	Johnson et al.		
6,386,783	B1		5/2002	Spoelman		
6,397,859	B1		6/2002	Byrd		
2004/0016073	A1	*	1/2004	Knutson	.....	15/167.1

\* cited by examiner

*Primary Examiner*—Alan P. Douglas

*Assistant Examiner*—Lavone D. Tabor

(74) *Attorney, Agent, or Firm*—Theresa M. Seal

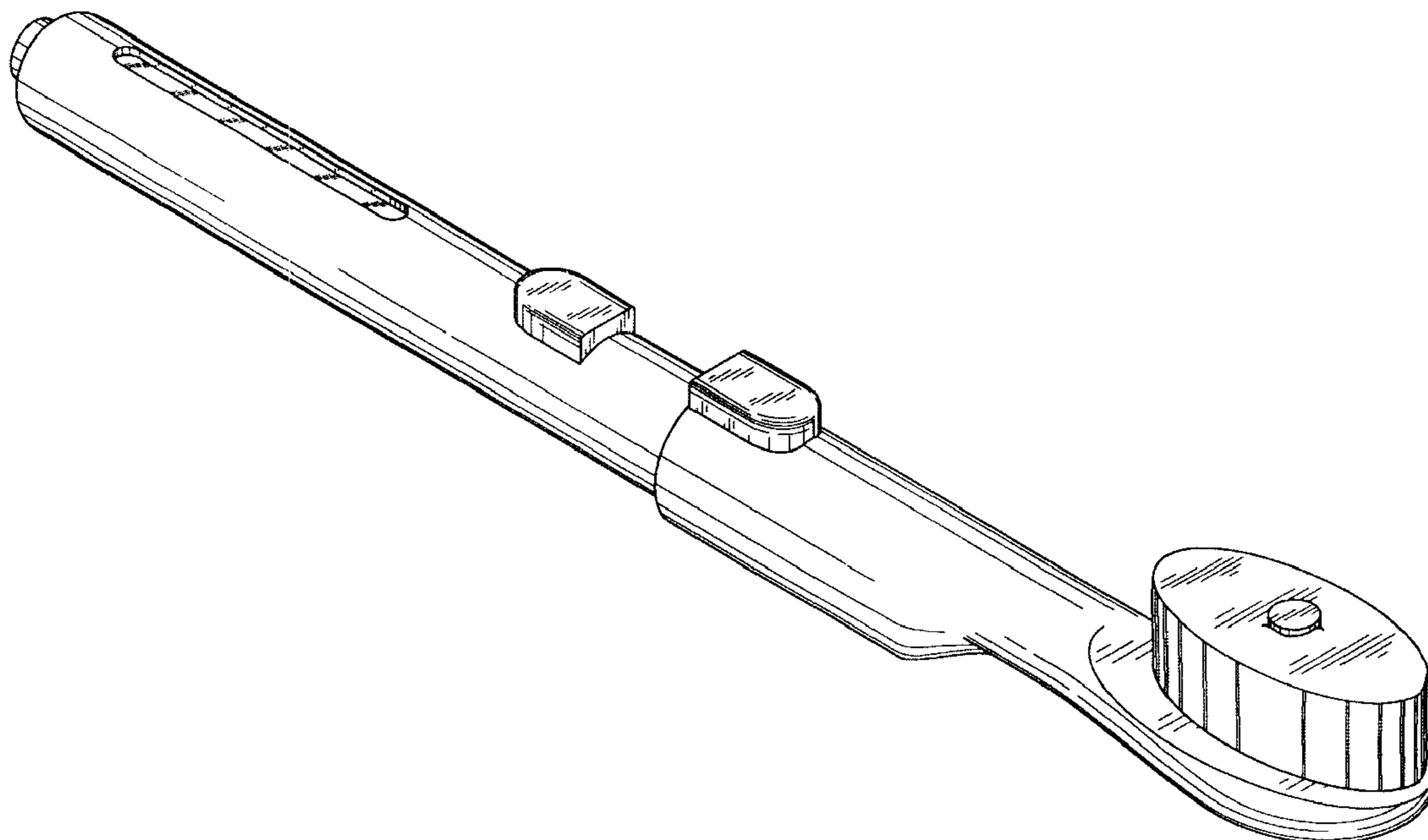
(57) **CLAIM**

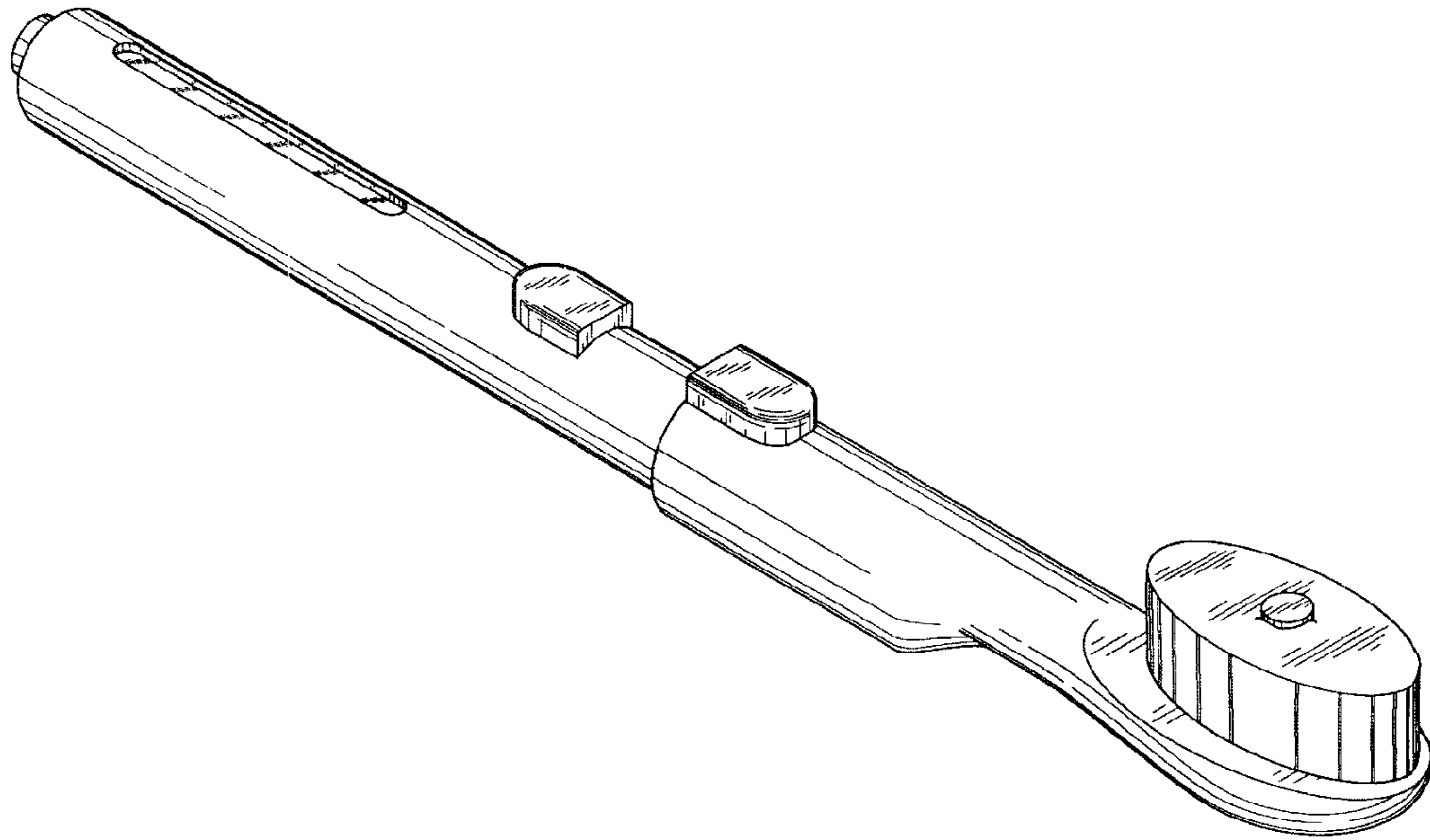
The ornamental design for a degradable disposable toothbrush, as shown and described.

**DESCRIPTION**

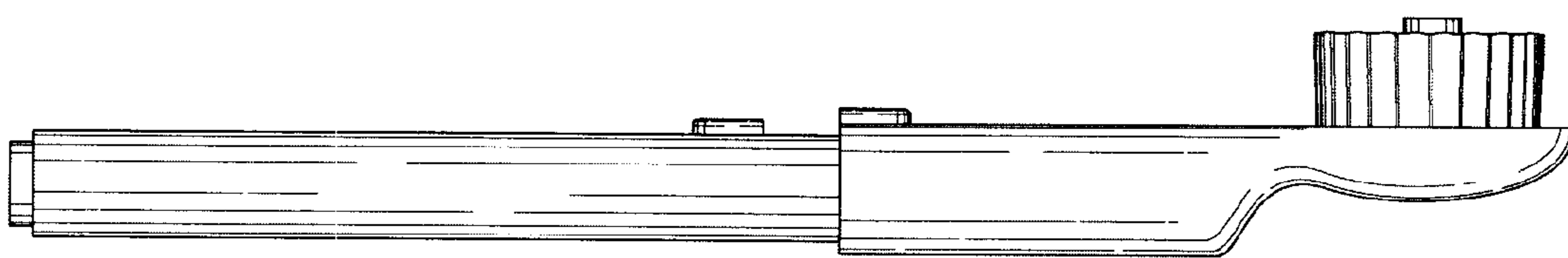
FIG. 1 is a perspective view of the degradable disposable toothbrush, in accordance with the invention; FIG. 2 is an elevational side view of the invention, the opposite side being a mirror image thereof; FIG. 3 is an elevational front view thereof; FIG. 4 is an elevational rear view thereof; FIG. 5 is an bottom view thereof; and, FIG. 6 is an top view thereof.

**1 Claim, 2 Drawing Sheets**

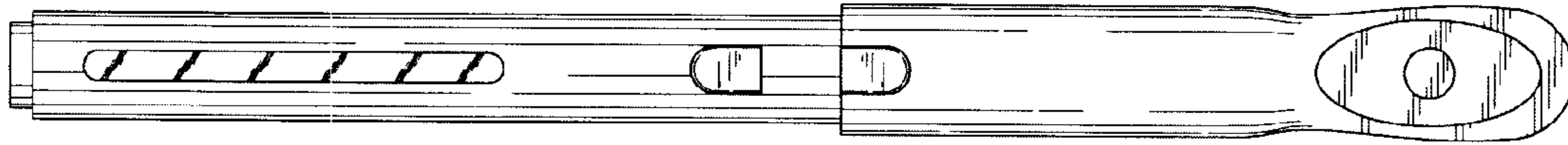




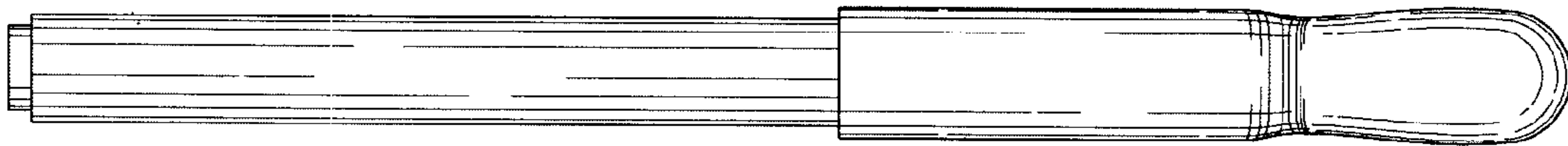
**Fig. 1**



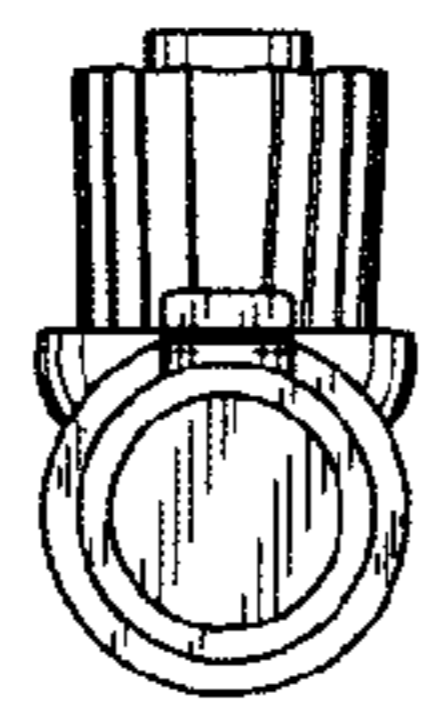
**Fig. 2**



**Fig. 3**



**Fig. 4**



**Fig. 5**



**Fig. 6**