



US00D530094S

(12) **United States Design Patent**
Hagan et al.

(10) **Patent No.:** **US D530,094 S**

(45) **Date of Patent:** **** Oct. 17, 2006**

(54) **STORAGE BOX HANDLE**

(75) Inventors: **John Hagan**, Roscoe, IL (US); **Paul E. King**, Louisville, KY (US); **Don Shaner**, Winnebago, IL (US); **George Boss, Jr.**, Floyds Knobs, IN (US)

(73) Assignee: **Greenlee Textron Inc.**, Rockford, IL (US)

(**) Term: **14 Years**

(21) Appl. No.: **29/206,926**

(22) Filed: **Jun. 4, 2004**

Related U.S. Application Data

(63) Continuation-in-part of application No. 10/834,679, filed on Apr. 29, 2004.

(51) **LOC (8) Cl.** **03-01**

(52) **U.S. Cl.** **D3/318**

(58) **Field of Classification Search** D3/318,
D3/218, 328, 279, 282, 320, 215, 254, 255,
D3/289; D6/513, 14, 300, 302, 206, 315,
D6/316, 317, 319, 320; D9/433, 434, 435,
D9/451, 455, 456, 499; D34/28; 16/110.1,
16/113.1, 114.1, 405, 406, 408, 421, 422,
16/429, 430, 431, 445

See application file for complete search history.

(56) **References Cited**

U.S. PATENT DOCUMENTS

758,482 A * 4/1904 Smith 16/422

2,401,399 A * 6/1946 Akers 16/422
D207,835 S * 6/1967 Dexter D8/316
D368,012 S * 3/1996 Dickinson et al. D8/306
D394,157 S * 5/1998 Dickinson et al. D8/306
D493,618 S * 8/2004 DeCarlo et al. D3/302

* cited by examiner

Primary Examiner—Louis S. Zarfes

Assistant Examiner—Monica A. Weingart

(74) *Attorney, Agent, or Firm*—Trexler, Bushnell,
Giangiorgi, Blackstone & Marr, Ltd.

(57) **CLAIM**

The ornamental design for a storage box handle, as shown and described.

DESCRIPTION

FIG. 1 is a front perspective view of a storage box handle showing our new design;

FIG. 2 is an alternate front perspective view thereof;

FIG. 3 is a top plan view thereof;

FIG. 4 is a bottom plan view thereof;

FIG. 5 is a right side elevational view, the left side being a mirror image thereof;

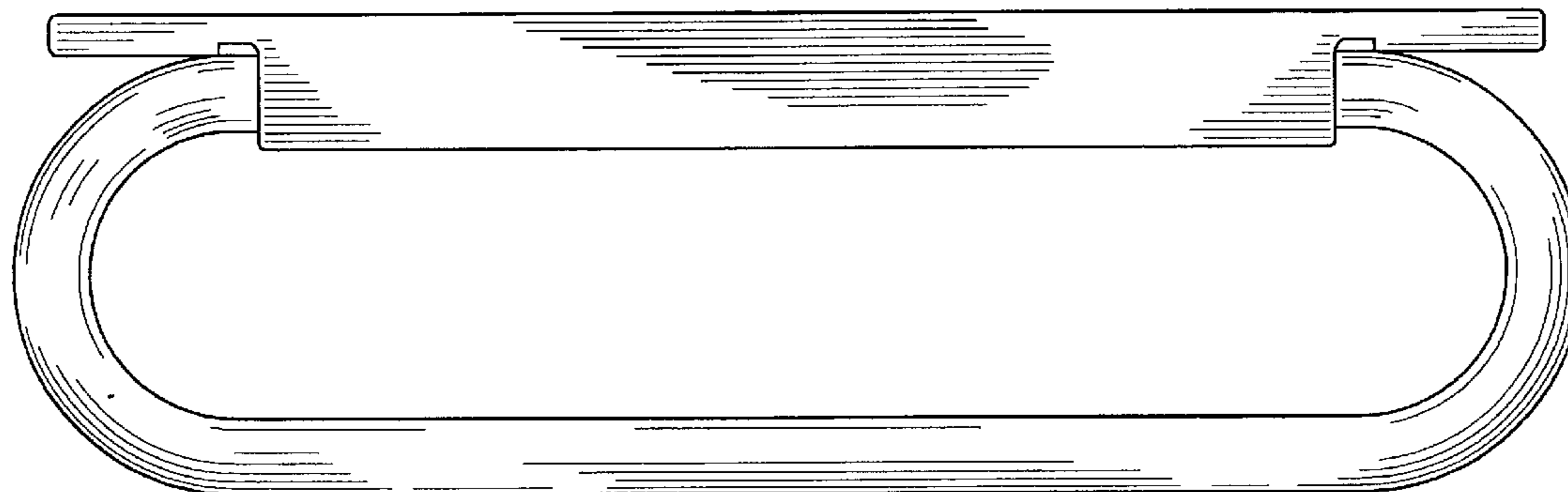
FIG. 6 is a bottom plan view thereof;

FIG. 7 is a rear elevational view thereof; and,

FIG. 8 is front elevational view thereof.

The broken line showing of a storage box, in FIGS. 1 and 2, is for illustrative purposes only and forms no part of the claimed design.

1 Claim, 4 Drawing Sheets



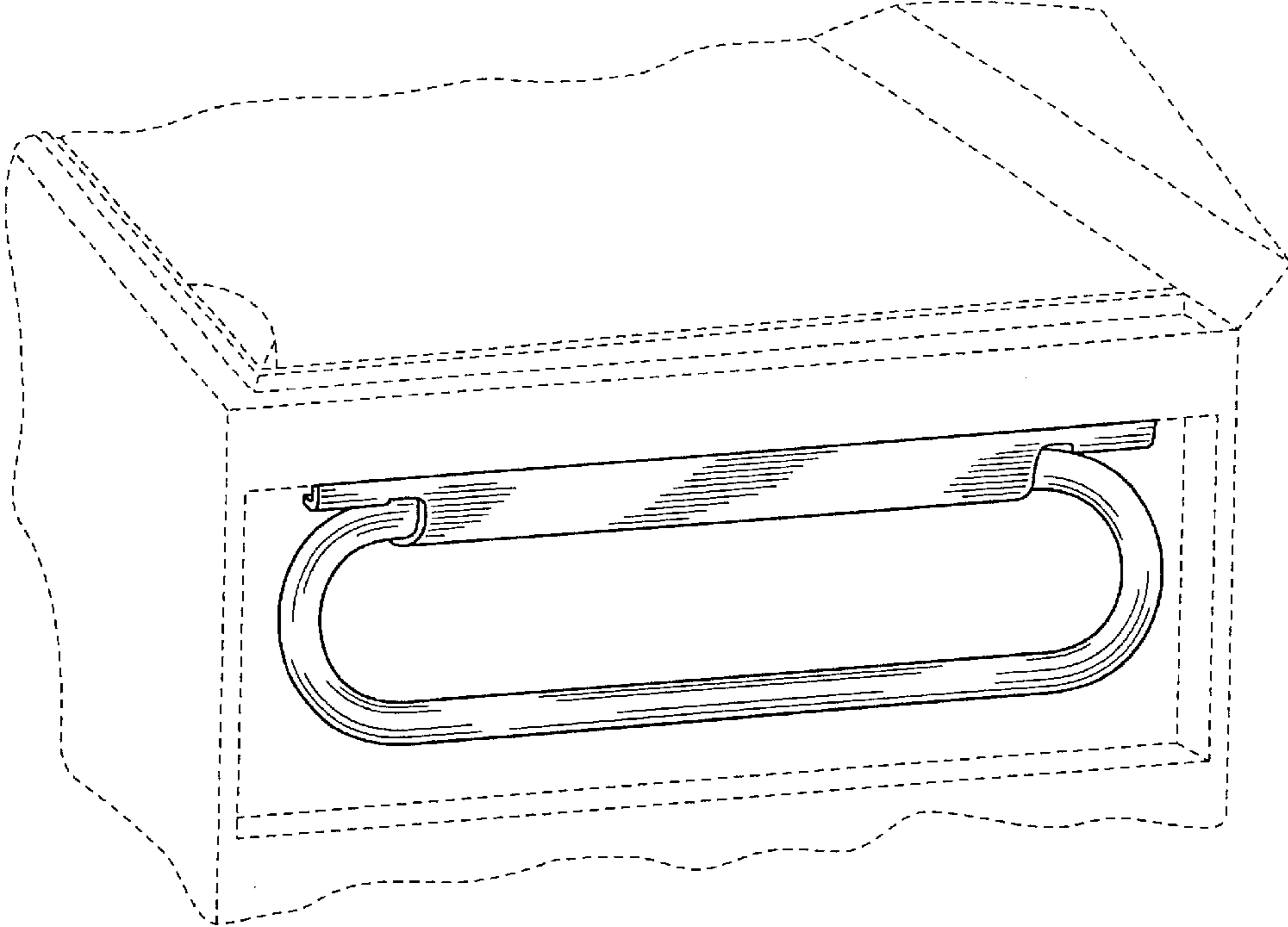


FIG. 1

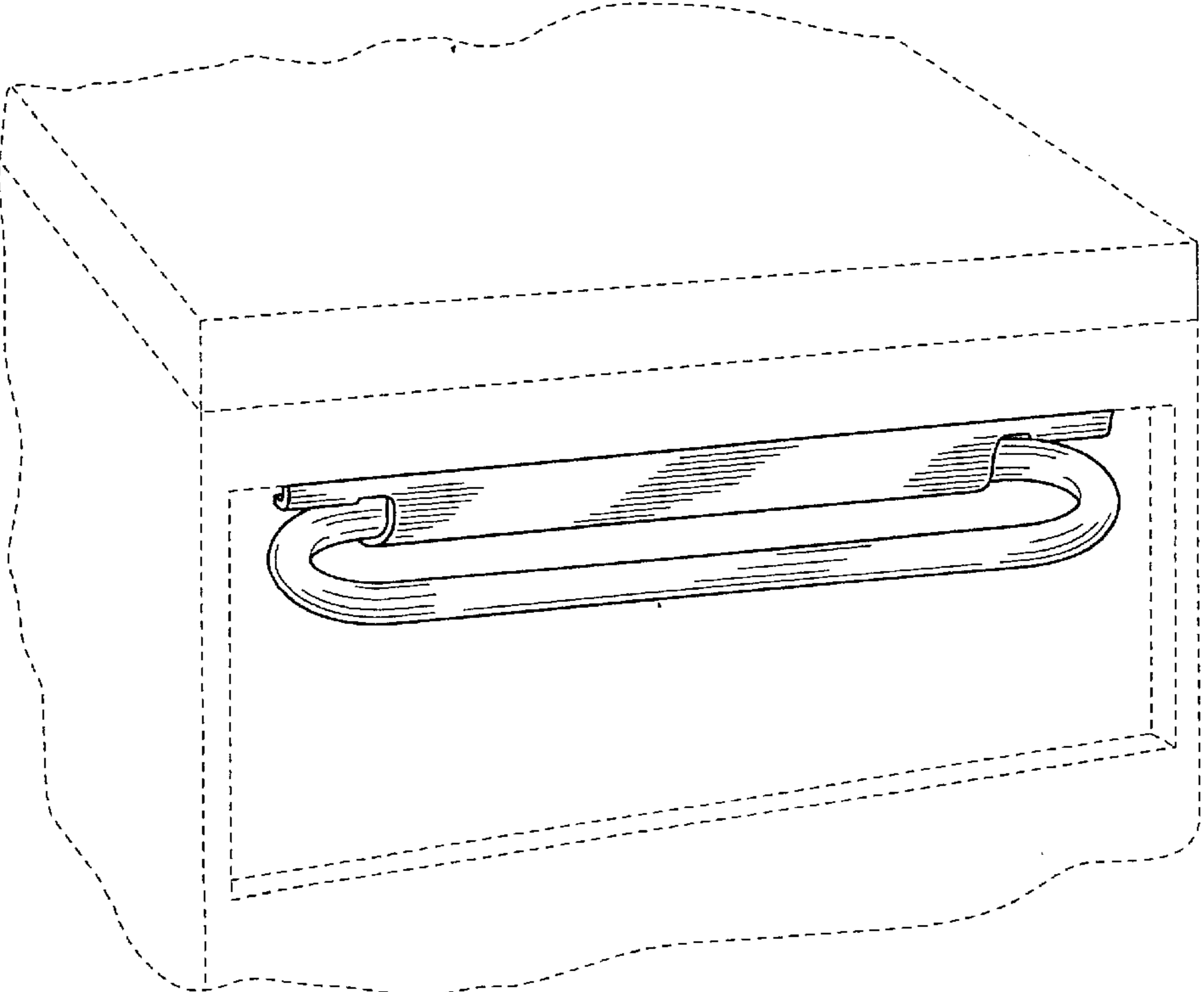


FIG. 2

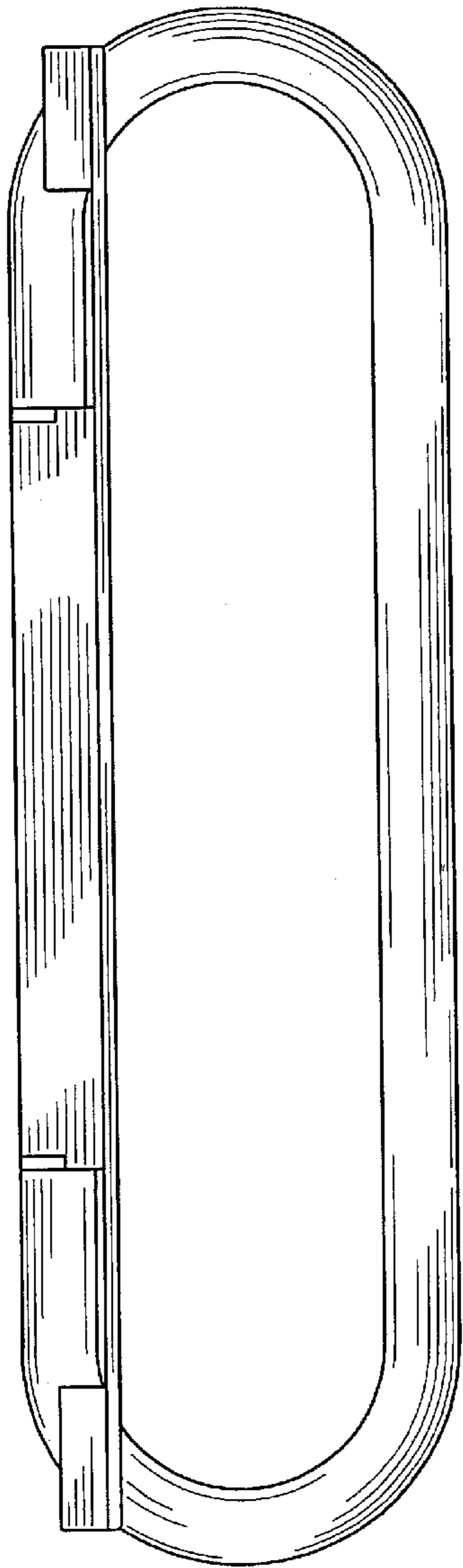


FIG. 3

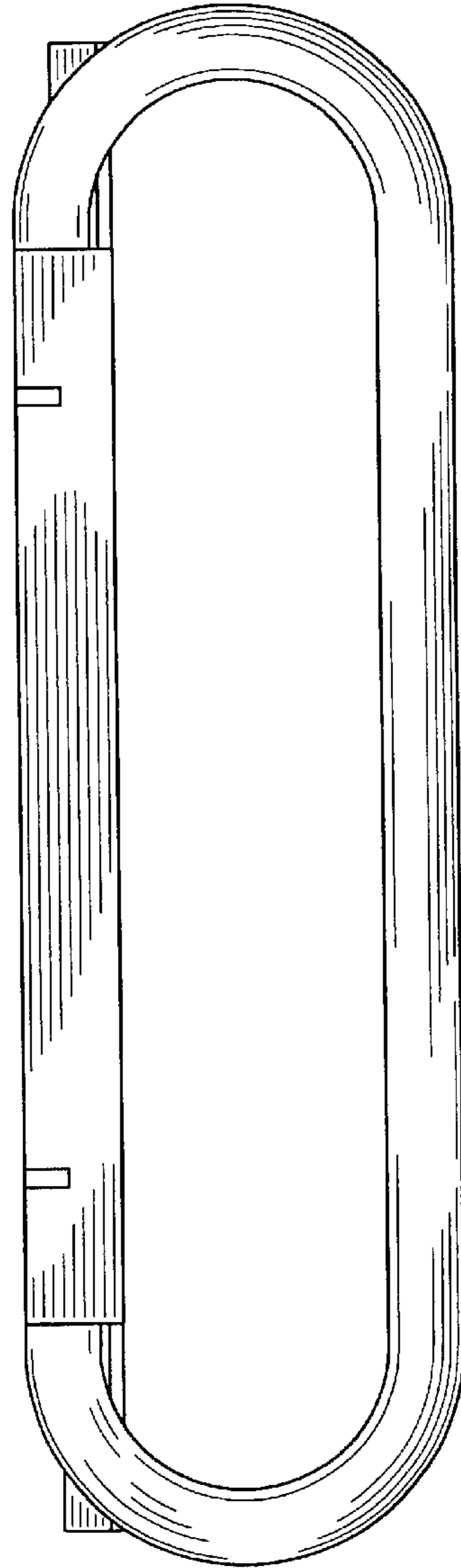


FIG. 4

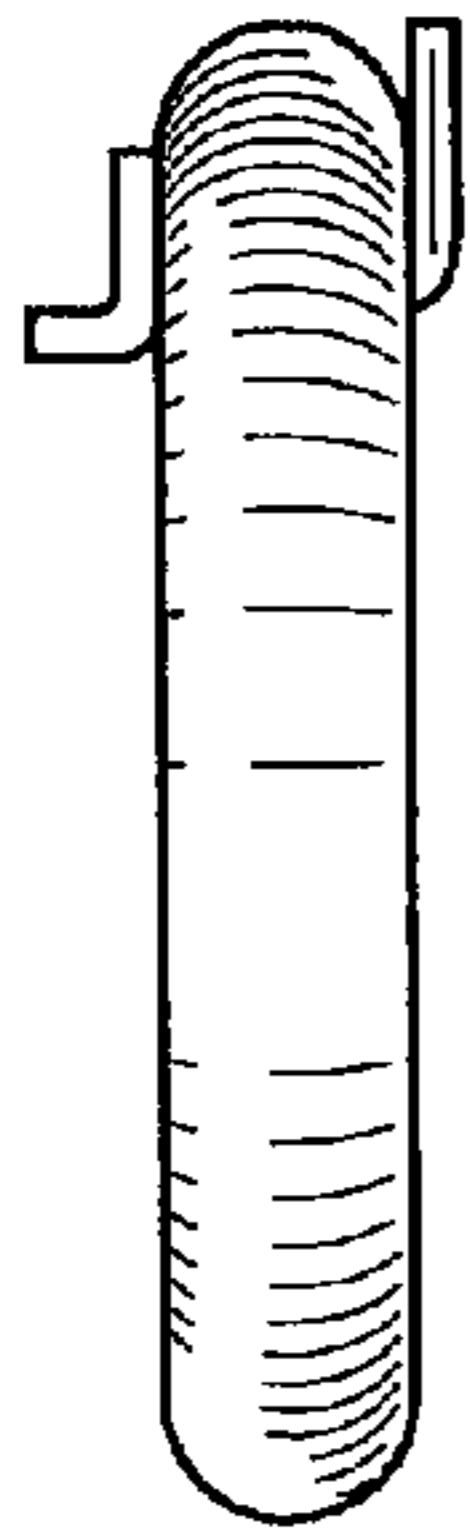


FIG. 5

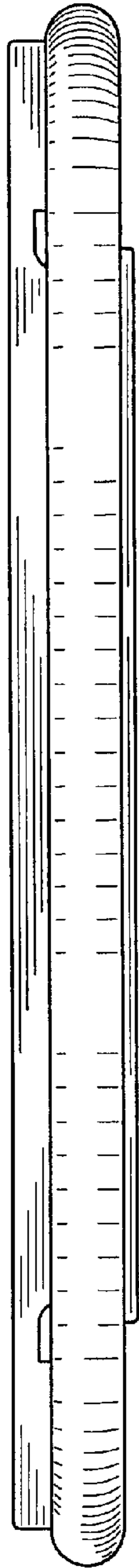


FIG. 6



FIG. 7

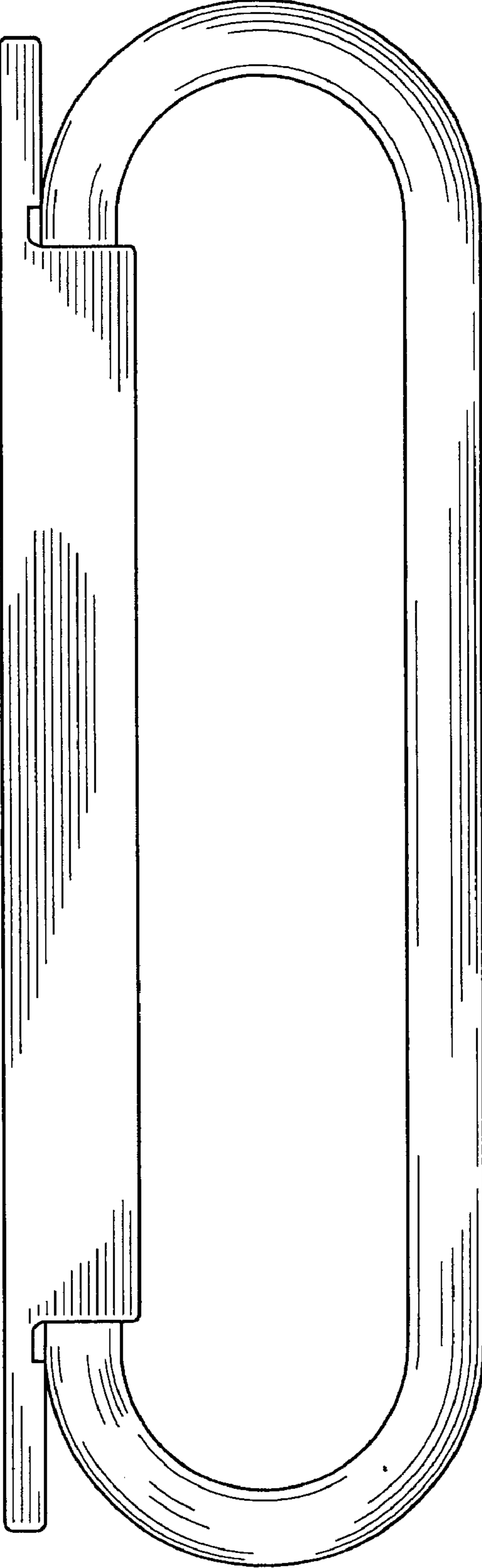


FIG. 8

UNITED STATES PATENT AND TRADEMARK OFFICE
CERTIFICATE OF CORRECTION

PATENT NO. : Des. 530,094 S
APPLICATION NO. : 29/206926
DATED : October 17, 2006
INVENTOR(S) : John Hagan et al.

Page 1 of 1

It is certified that error appears in the above-identified patent and that said Letters Patent is hereby corrected as shown below:

Title Page
Related U.S. Application Data

- (63) "Continuation-in-part of application No. 10/834,679,
filed on Apr. 29, 2004." should be
-- Continuation-in-part of application No. 10/834,679, filed
on Apr. 29, 2004, now Patent Publication No. 2005/0242104.--

Signed and Sealed this

Ninth Day of January, 2007

A handwritten signature in black ink on a light gray dotted background. The signature reads "Jon W. Dudas" in a cursive, stylized script.

JON W. DUDAS

Director of the United States Patent and Trademark Office