



US00D530092S

(12) **United States Design Patent**  
**Roesler**

(10) **Patent No.:** **US D530,092 S**

(45) **Date of Patent:** **\*\* Oct. 17, 2006**

(54) **DRILL STORAGE CASE**

(76) **Inventor:** **Peter Roesler**, Ifenweg 3, D-88239  
Wangen/Allgau (DE)

(\*\*) **Term:** **14 Years**

(21) **Appl. No.:** **29/234,797**

(22) **Filed:** **Jul. 22, 2005**

(30) **Foreign Application Priority Data**

Jan. 28, 2005 (EM) ..... 000287289-0001/0002

(51) **LOC (8) Cl.** ..... **03-01**

(52) **U.S. Cl.** ..... **D3/294; D3/273; D3/905**

(58) **Field of Classification Search** ..... **D3/273,**  
**D3/281, 282, 294, 295, 296, 905; 206/349,**  
**206/372, 373, 379; 312/902**

See application file for complete search history.

(56) **References Cited**

**U.S. PATENT DOCUMENTS**

4,660,719 A \* 4/1987 Peterson et al. .... 206/379  
5,746,316 A \* 5/1998 La Barre ..... 206/379

D417,077 S \* 11/1999 Sheu ..... D3/294  
D443,415 S \* 6/2001 Hung ..... D3/273  
D447,634 S \* 9/2001 Snider ..... D3/294  
6,283,291 B1 \* 9/2001 Vasudeva et al. .... 206/373  
D449,931 S \* 11/2001 Snider ..... D3/294  
D477,714 S \* 7/2003 Cunningham et al. .... D3/273  
D481,868 S \* 11/2003 Cunningham et al. .... D3/273  
D502,316 S \* 3/2005 Chen ..... D3/273

\* cited by examiner

*Primary Examiner*—Philip S. Hyder

(74) *Attorney, Agent, or Firm*—Frederick L. Tolhurst, Esq.;  
Cohen & Crigsby, P.C.

(57) **CLAIM**

The ornamental design for a drill storage case, as shown.

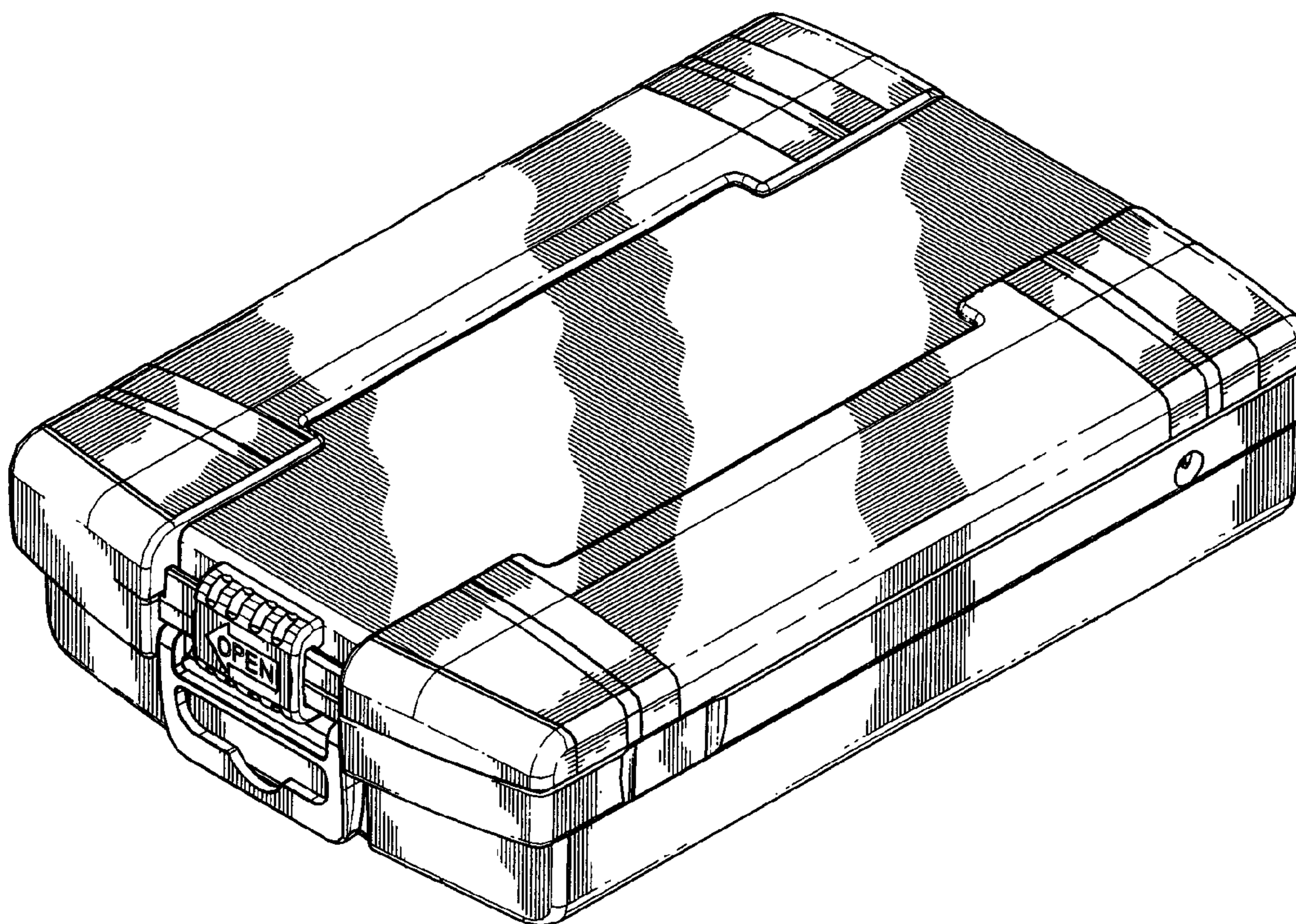
**DESCRIPTION**

The present invention relates to cases.

FIG. 1 is a perspective view of the drill storage case showing my new design; and,

FIG. 2 is a top view of the drill storage case showing my new design.

**1 Claim, 1 Drawing Sheet**





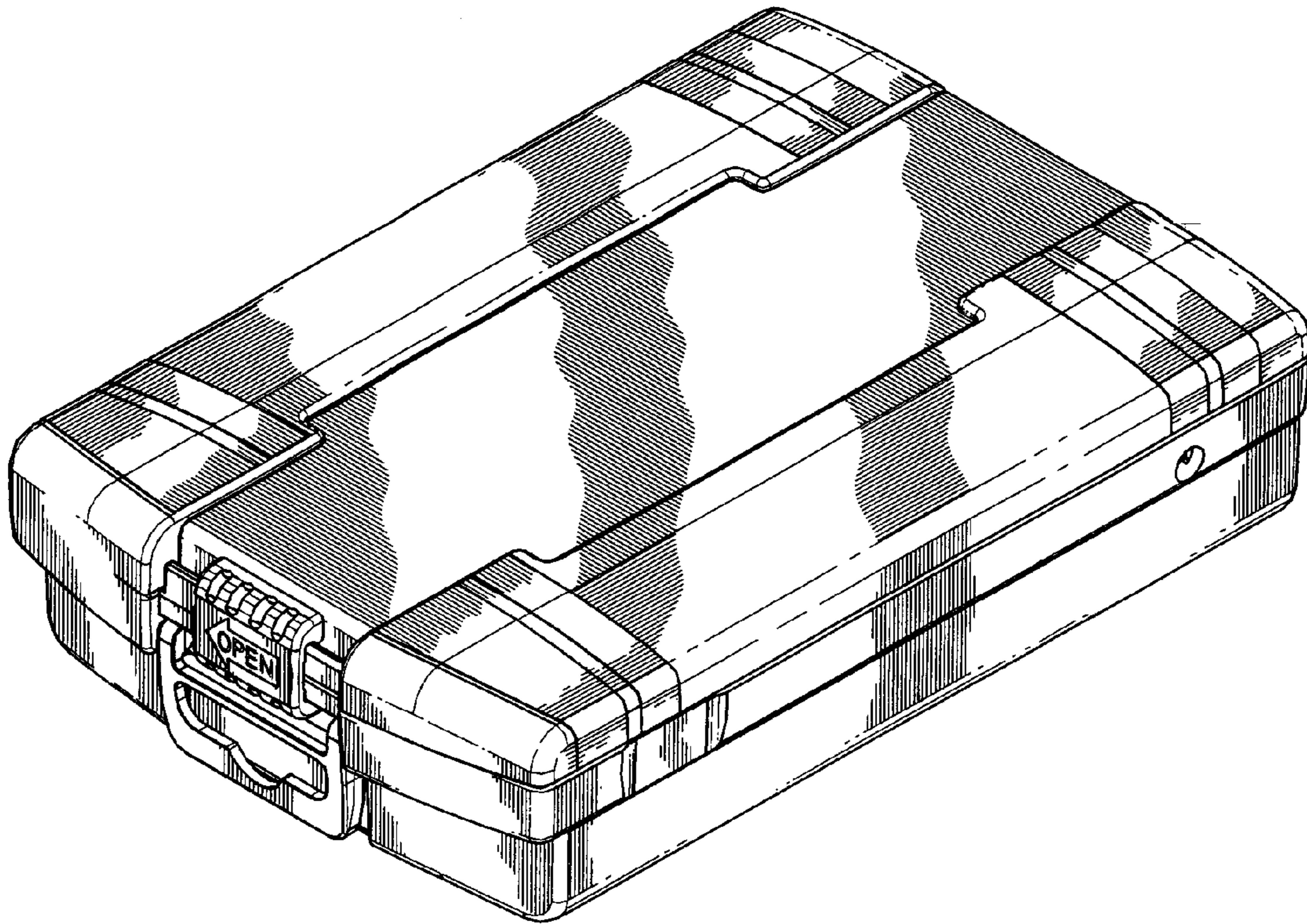


FIG. 1

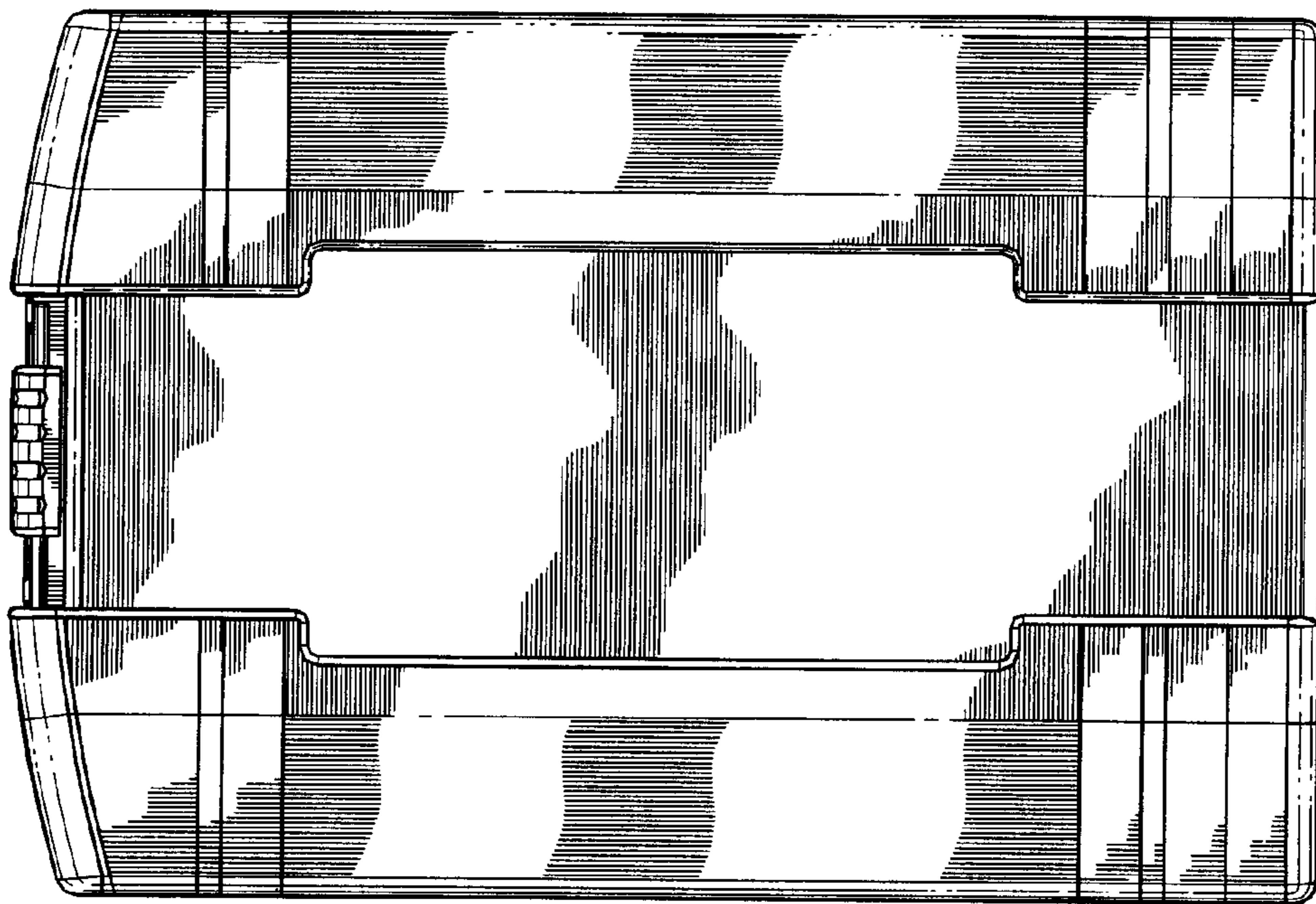


FIG. 2