



US00D530085S

(12) **United States Design Patent**
Quinnan

(10) **Patent No.:** **US D530,085 S**

(45) **Date of Patent:** **** Oct. 17, 2006**

(54) **CARRYING CASE FOR FISHING RODS**

(75) Inventor: **Timothy Quinnan**, Westminster, CO
(US)

(73) Assignee: **Made2Fly, LLC**, Westminster, CO (US)

(**) Term: **14 Years**

(21) Appl. No.: **29/228,473**

(22) Filed: **Apr. 25, 2005**

(51) **LOC (8) Cl.** **03-01**

(52) **U.S. Cl.** **D3/260; D3/904**

(58) **Field of Classification Search** D3/272,
D3/276, 904-905; 206/315.11

See application file for complete search history.

(56) **References Cited**

U.S. PATENT DOCUMENTS

357,206	A	*	2/1887	Kamp	206/315.11
396,702	A		1/1889	Loftie		
1,381,149	A	*	6/1921	Wheary	190/37
1,903,798	A		4/1933	Turner		
1,926,162	A	*	9/1933	Moberly	217/7
D154,065	S	*	6/1949	Phillips et al.	D22/139
2,473,977	A		6/1949	Tutton		
2,650,449	A	*	9/1953	Suring	43/26
2,749,645	A		6/1956	McKern		
2,919,017	A	*	12/1959	Weber	43/26
2,962,187	A	*	11/1960	Morris	220/780
D247,993	S	*	5/1978	Calzone, III	D3/204
D271,162	S	*	11/1983	Evans	D3/254
D320,694	S	*	10/1991	Brant	D3/260
D337,657	S	*	7/1993	March et al.	D3/272
5,341,590	A		8/1994	Hepworth et al.		
5,425,194	A	*	6/1995	Miller	43/26
5,547,079	A		8/1996	Pino		

5,640,795	A	*	6/1997	Wambolt	43/26
5,806,708	A		9/1998	Schwab		
D410,333	S	*	6/1999	Coca	D3/260
5,960,950	A	*	10/1999	Meeker et al.	206/315.11
6,062,382	A	*	5/2000	Czerkie	206/315.11
6,283,288	B1	*	9/2001	Rich	206/315.11
D458,448	S	*	6/2002	Jakab	D3/276
D458,747	S	*	6/2002	Hields et al.	D3/260
6,450,333	B1	*	9/2002	McClenahan et al.	206/315.11
6,471,103	B1	*	10/2002	Frese et al.	224/200
6,760,994	B1	*	7/2004	Henault et al.	43/26
D496,791	S	*	10/2004	Perella et al.	D3/267

* cited by examiner

Primary Examiner—Philip S. Hyder

Assistant Examiner—RoseLynne (Ulm) Cody

(74) *Attorney, Agent, or Firm*—Boyd D. Cox

(57) **CLAIM**

The ornamental design for a carrying case for fishing rods, as shown.

DESCRIPTION

FIG. 1 is a front view of the carrying case for fishing rods of the present invention;

FIG. 2 is a rear view of the carrying case for fishing rods of FIG. 1;

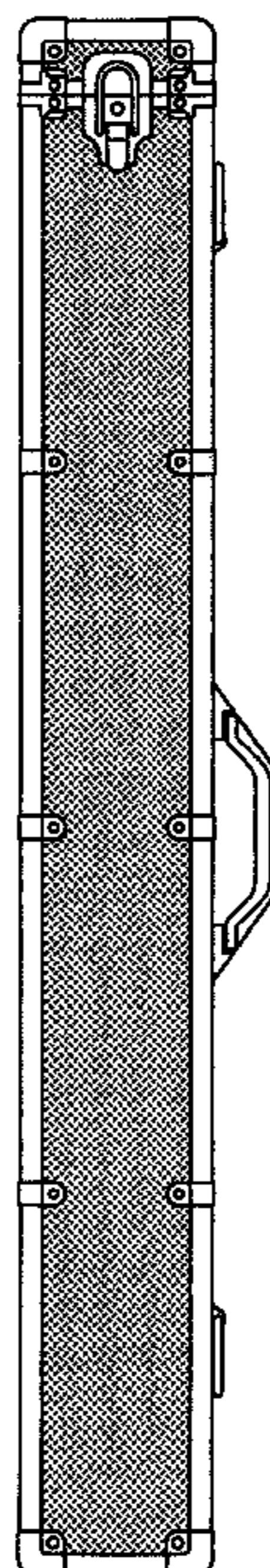
FIG. 3 is a left side view of the carrying case for fishing rods of FIG. 1;

FIG. 4 is a right side view of the carrying case for fishing rods of FIG. 1;

FIG. 5 is a plan view of the top of the carrying case for fishing rods of FIG. 1; and,

FIG. 6 is a plan view of the bottom of the carrying case for fishing rods of FIG. 1.

1 Claim, 5 Drawing Sheets



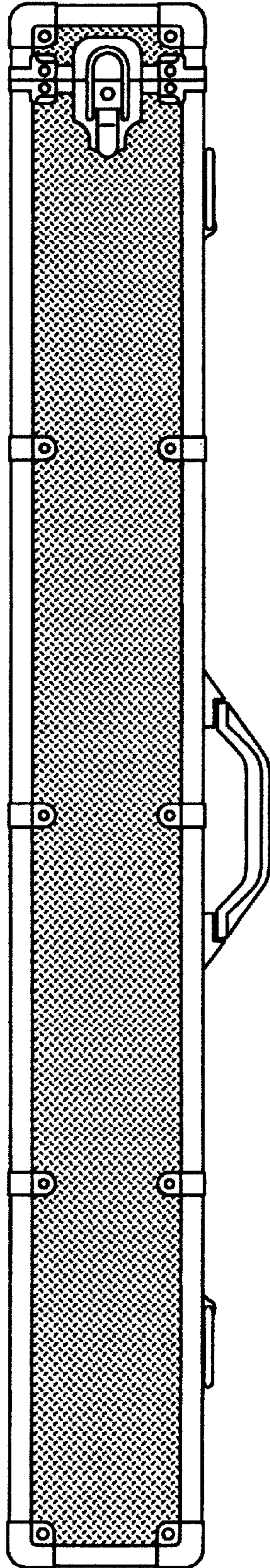


FIG. 1

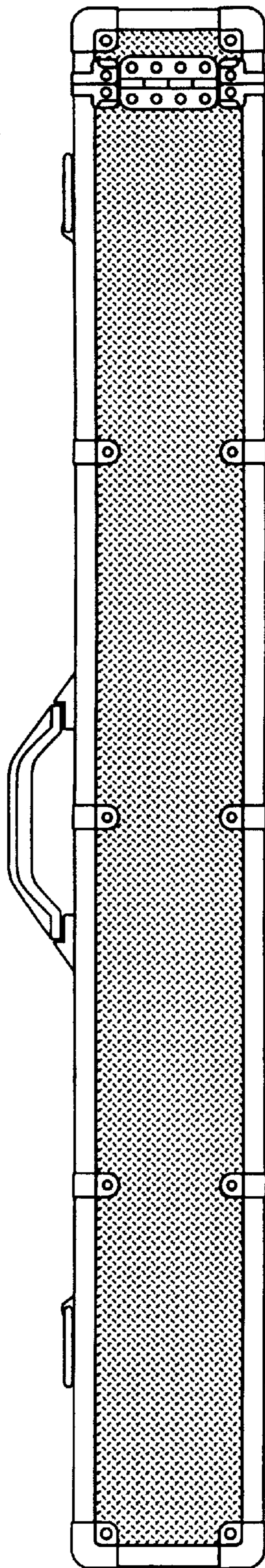


FIG. 2

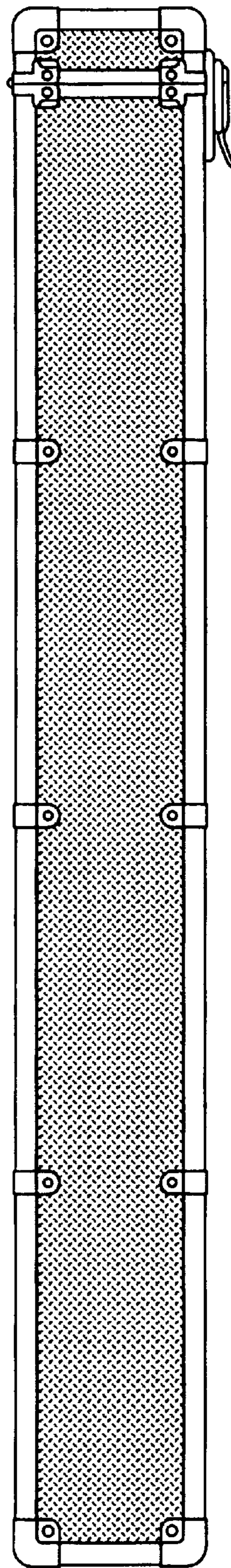


FIG. 3

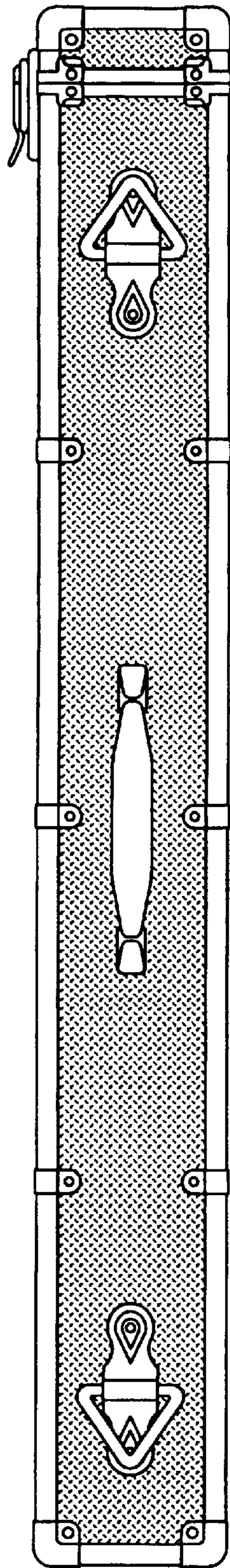


FIG. 4

FIG. 6

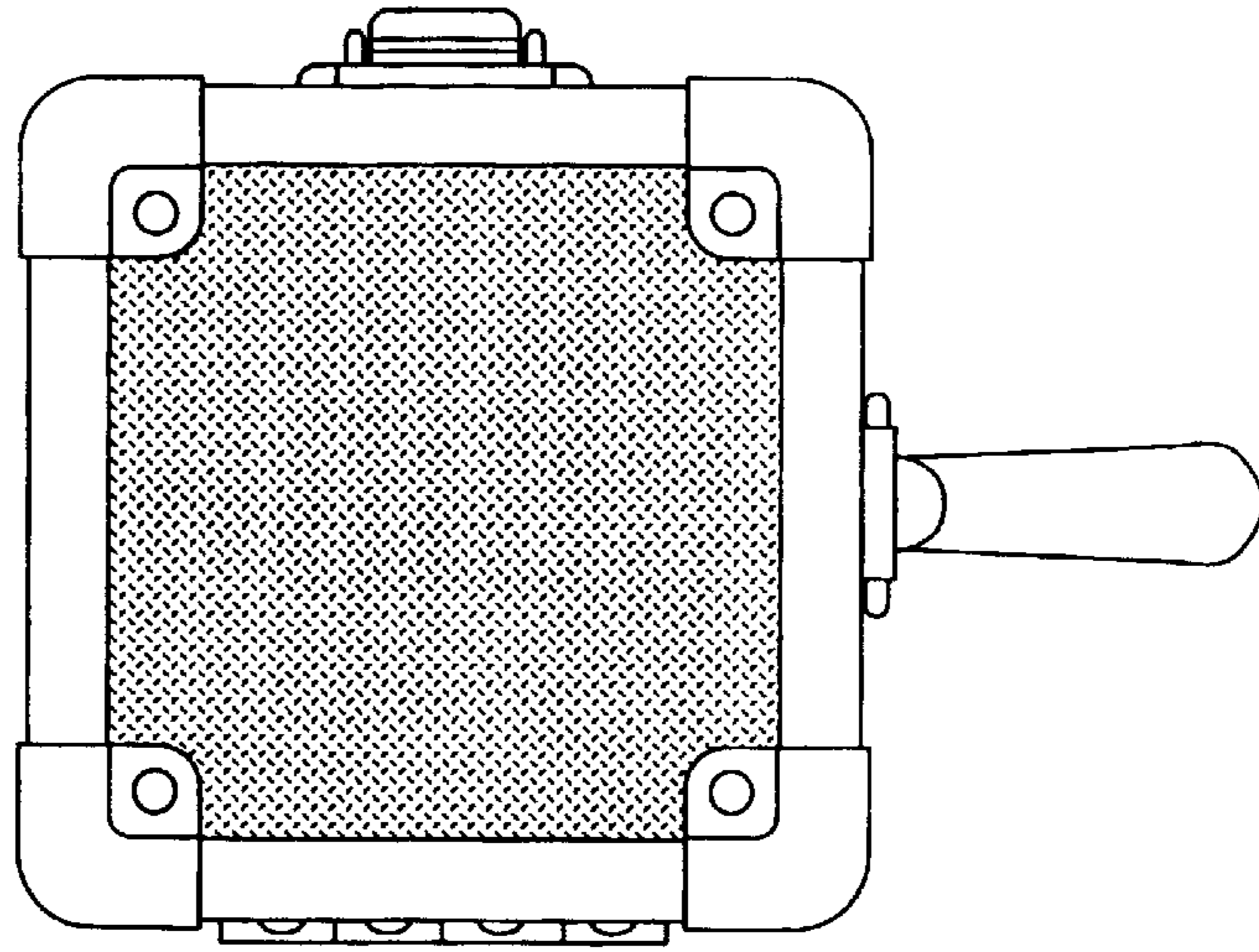


FIG. 5

