



US00D530083S

(12) **United States Design Patent**  
**Guyon**

(10) **Patent No.:** **US D530,083 S**

(45) **Date of Patent:** **\*\* Oct. 17, 2006**

(54) **HANDBAG**

(76) Inventor: **Isabelle Guyon**, 71 Boulevard  
Montparnasse, 75006 Paris (FR)

(\*\*) Term: **14 Years**

(21) Appl. No.: **29/226,981**

(22) Filed: **Apr. 5, 2005**

(51) **LOC (8) Cl.** ..... **03-01**

(52) **U.S. Cl.** ..... **D3/246**

(58) **Field of Classification Search** ..... D3/232,  
D3/233, 243, 245, 246, 303, 318, 321, 322,  
D3/323, 324, 326; 150/100, 107, 108, 110,  
150/111; 190/100, 103, 104, 105, 108, 109,  
190/112, 115, 119, 121, 902, 903; 383/4,  
383/6, 12, 37, 38, 41, 42, 98

See application file for complete search history.

(56) **References Cited**

**U.S. PATENT DOCUMENTS**

D434,219 S \* 11/2000 Haapala ..... D3/246  
D471,707 S \* 3/2003 Galliano ..... D3/243  
D489,894 S \* 5/2004 Guyon ..... D3/246

D490,608 S \* 6/2004 Guyon ..... D3/246  
D501,599 S \* 2/2005 Guyon ..... D3/246  
2006/0102260 A1 \* 5/2006 Yen ..... 150/110

\* cited by examiner

*Primary Examiner*—Louis S. Zarfaz

*Assistant Examiner*—Monica A. Weingart

(74) *Attorney, Agent, or Firm*—Gottlieb, Rackman &  
Reisman, P.C.

(57) **CLAIM**

The ornamental design for a handbag, as shown and  
described.

**DESCRIPTION**

FIG. 1 is bottom plan view of a handbag showing my new  
design;

FIG. 2 is a right side elevation view thereof;

FIG. 3 is a front elevation view thereof;

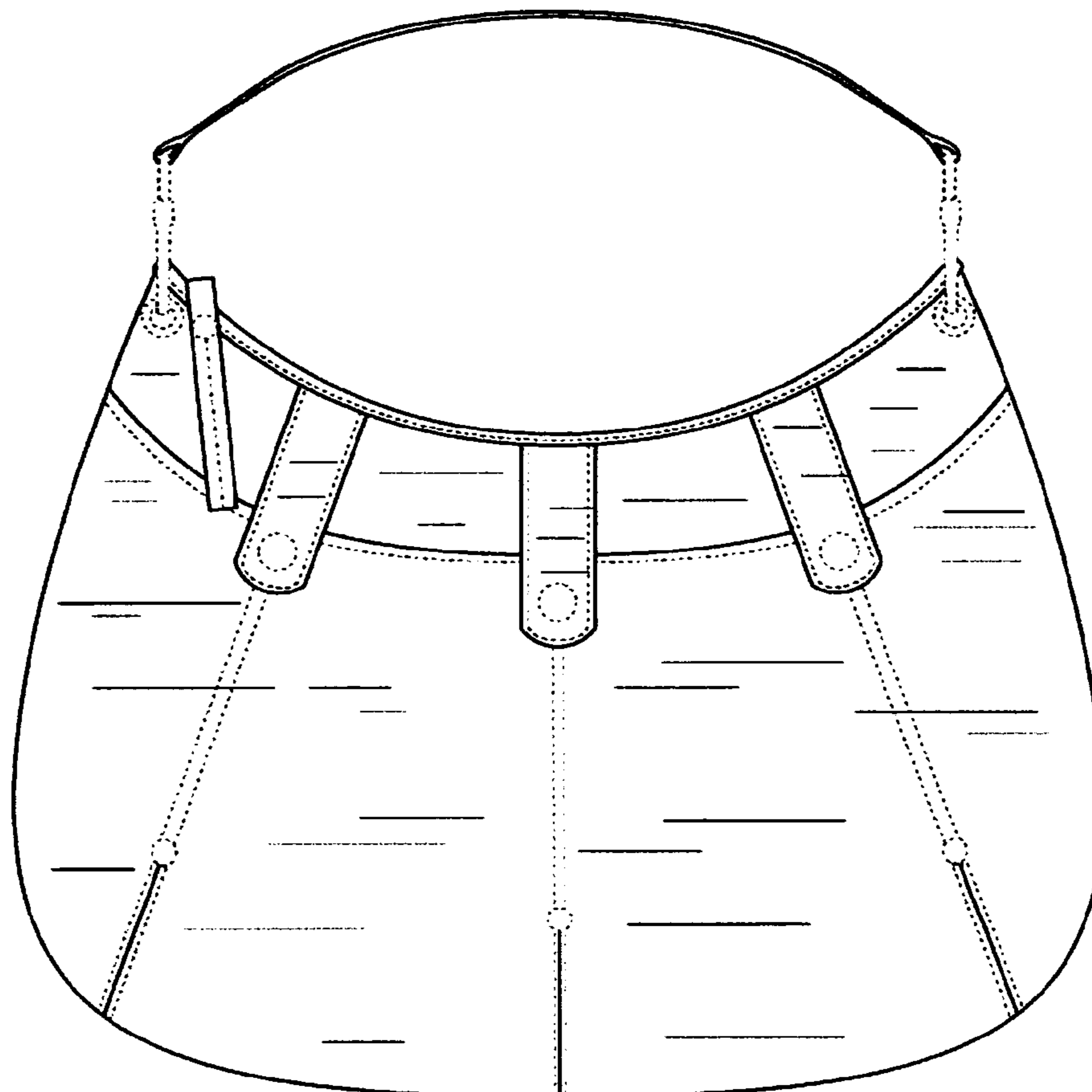
FIG. 4 is a top plan view thereof;

FIG. 5 is a left side elevation view thereof; and,

FIG. 6 is a rear elevation view thereof.

The broken line showing in the views is for illustrative  
purposes only and forms no part of the claimed design.

**1 Claim, 2 Drawing Sheets**



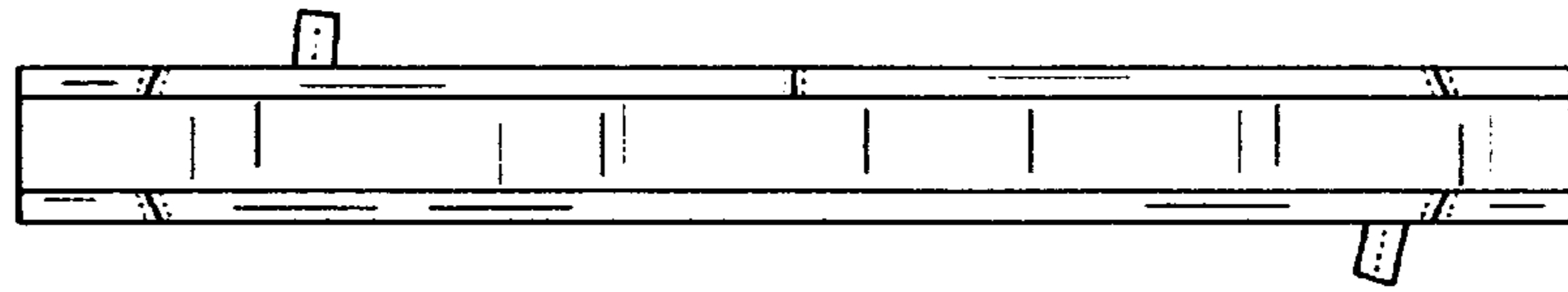


FIG. 1

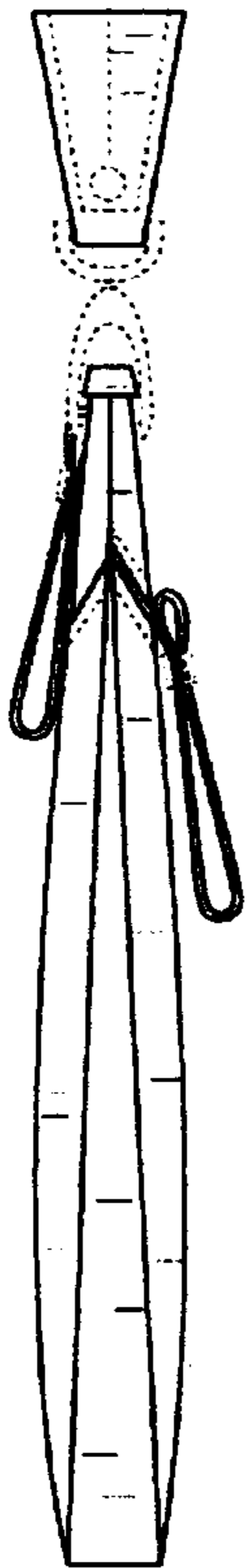


FIG. 2

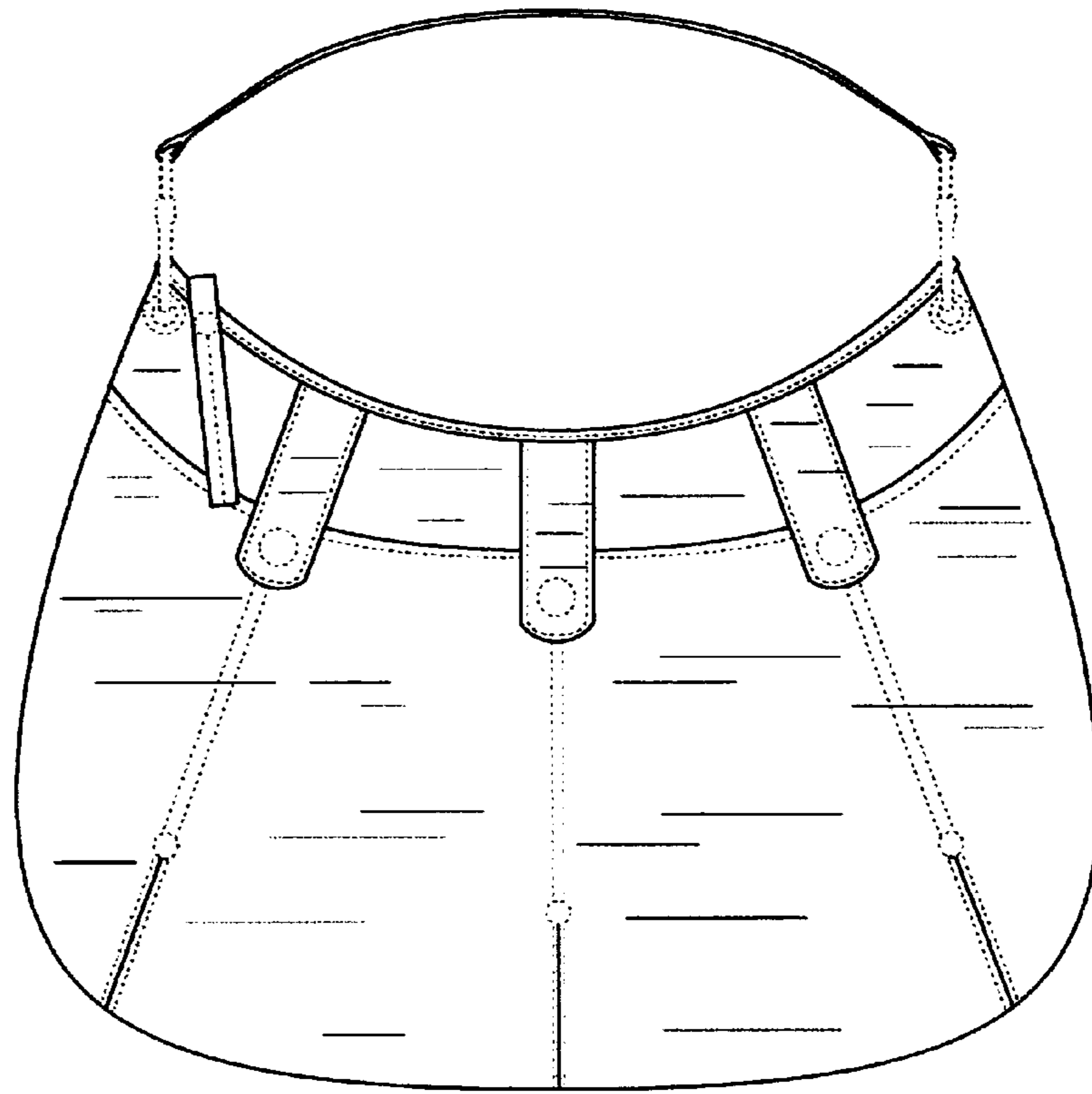


FIG. 3

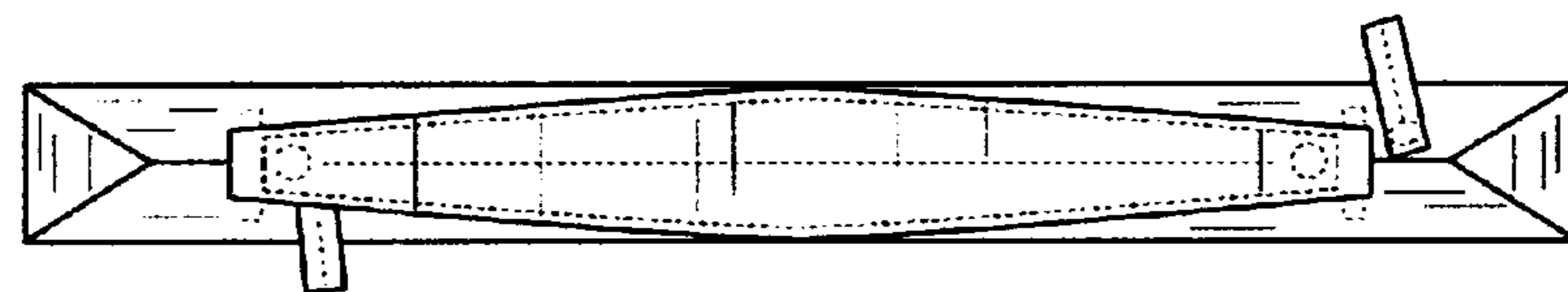


FIG. 4

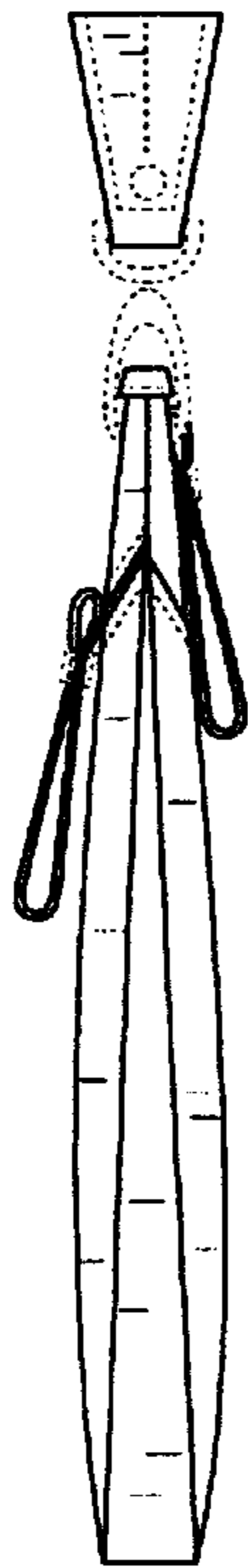


FIG. 5

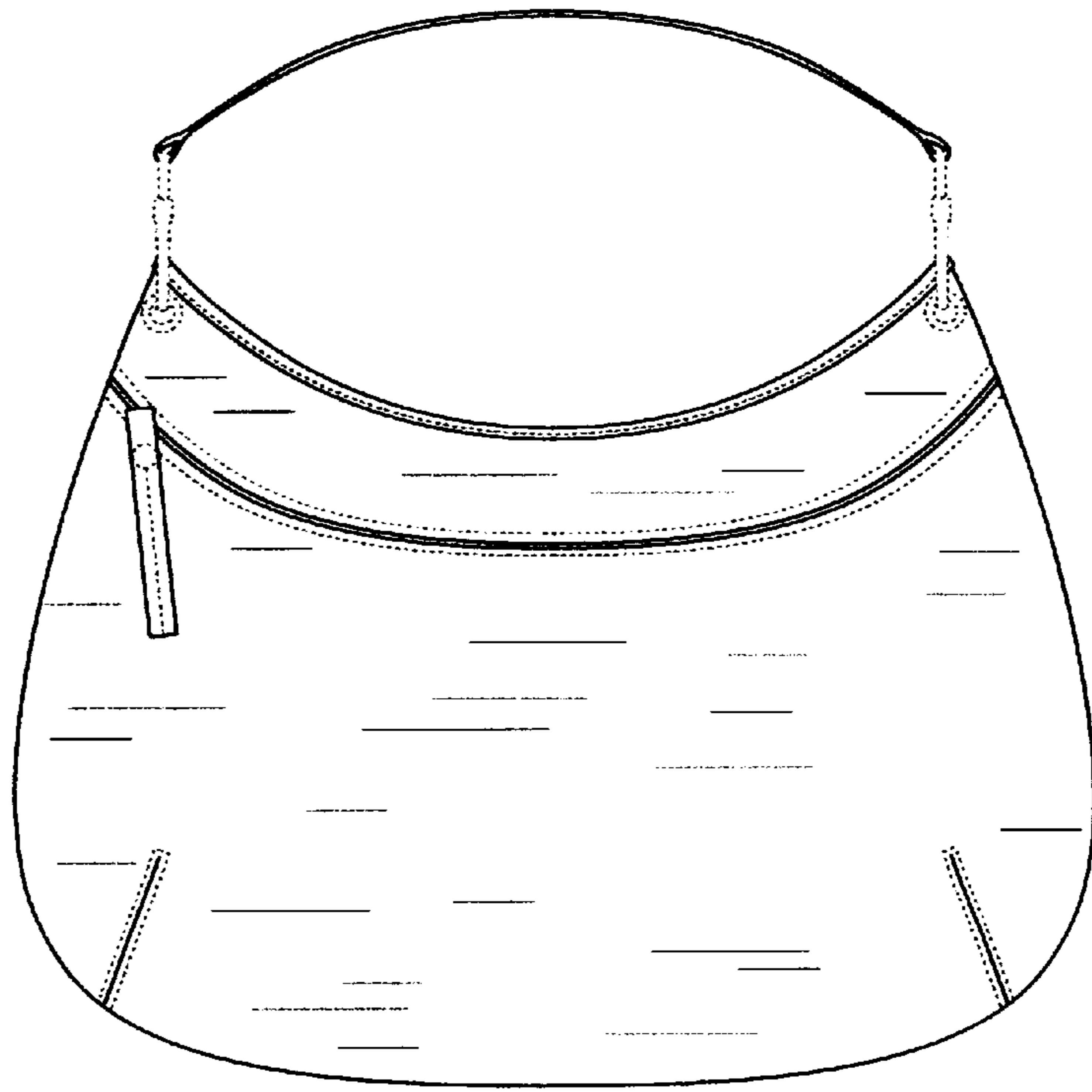


FIG. 6