



US00D530077S

(12) **United States Design Patent**  
**Smyth et al.**

(10) **Patent No.:** **US D530,077 S**

(45) **Date of Patent:** **\*\* Oct. 17, 2006**

(54) **CRUTCH**

(76) Inventors: **Jon Paul Smyth**, 96 Rhode Island Ave.  
Apt. #7, Newport, RI (US) 02840;  
**Colen Anson Roberts**, 158  
Narragansett Ave. 4v, Newport, RI (US)  
02840

(\*\*) **Term:** **14 Years**

(21) **Appl. No.:** **29/231,083**

(22) **Filed:** **Jun. 1, 2005**

(51) **LOC (8) Cl.** ..... **03-03**

(52) **U.S. Cl.** ..... **D3/7**

(58) **Field of Classification Search** ..... 135/65,  
135/68, 72, 74, 75, 77, 80, 910, 911, 85, 912,  
135/66; D8/300, 303; 362/101, 102; D3/5-17  
See application file for complete search history.

(56) **References Cited**

**U.S. PATENT DOCUMENTS**

- 3,710,807 A \* 1/1973 Ferry ..... 135/68
- 4,237,916 A \* 12/1980 Harrison-Smith et al. .... 135/69
- D258,096 S \* 2/1981 Barfod ..... D3/8
- 4,252,138 A \* 2/1981 Fowler ..... 135/69

- 4,869,280 A \* 9/1989 Ewing ..... 135/69
- D381,196 S \* 7/1997 Stefanelli et al. .... D3/16
- D382,104 S \* 8/1997 Stefanelli et al. .... D3/8
- D394,148 S \* 5/1998 Hosick ..... D3/8
- D426,377 S \* 6/2000 Barnes et al. .... D3/7
- D482,192 S \* 11/2003 Lewicki ..... D3/7
- 2003/0070701 A1 \* 4/2003 Cato ..... 135/69

\* cited by examiner

*Primary Examiner*—Sandra S. Snapp

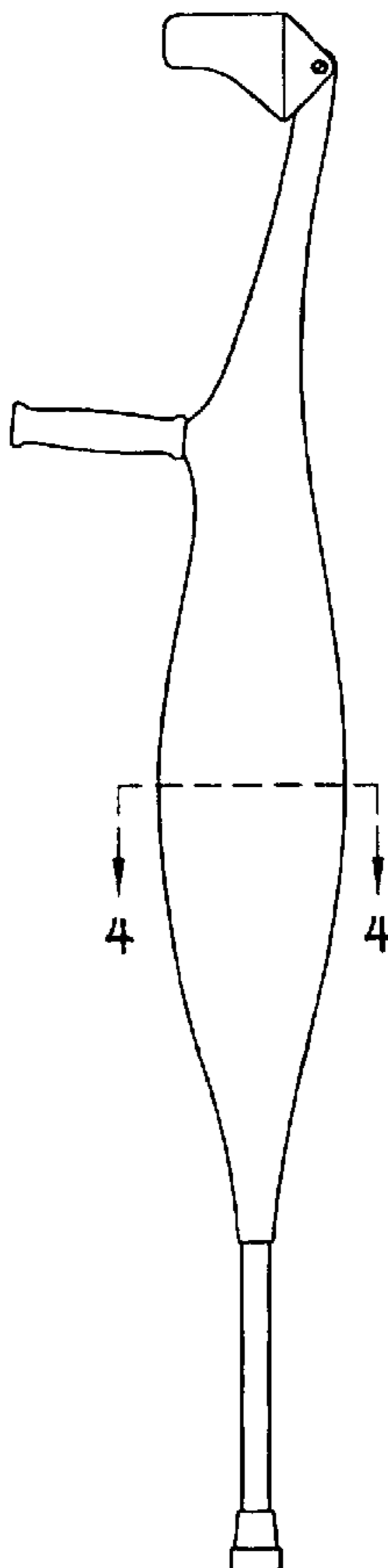
(57) **CLAIM**

We claim the ornamental design for the crutch, as shown and described.

**DESCRIPTION**

FIG. 1 is a Front Elevation View of the crutch, showing the tip in an extended position  
 FIG. 2 is a Top Plan View thereof;  
 FIG. 3 is a Left Side Elevation View thereof;  
 FIG. 4 is a Cross Section View thereof, taken along 4—4 in FIG. 1; and,  
 FIG. 5 is a Front Elevation View thereof, showing the tip in a shortened position.

**1 Claim, 5 Drawing Sheets**



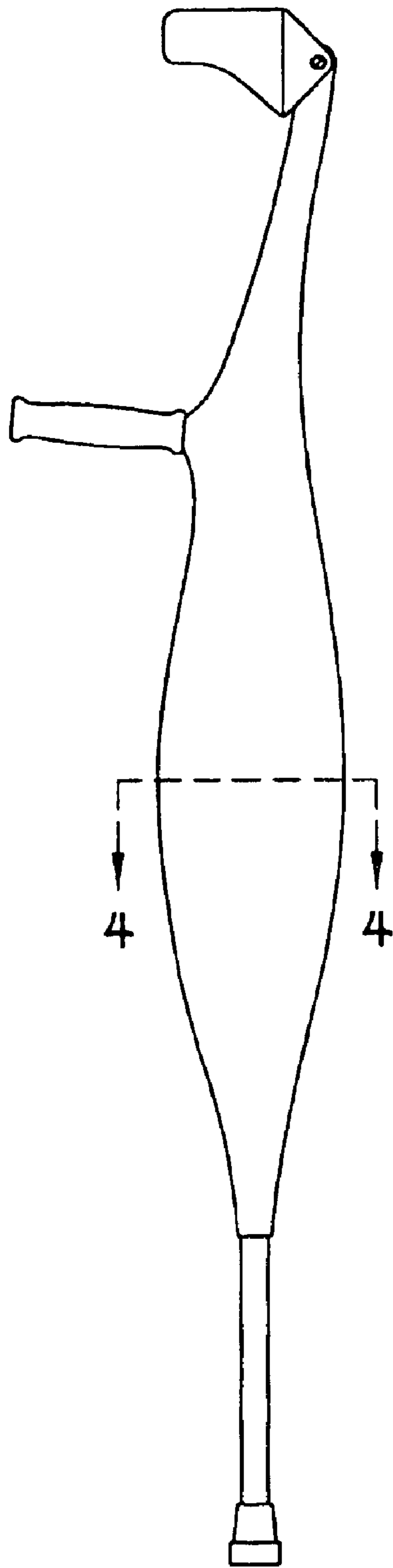


Fig. 1

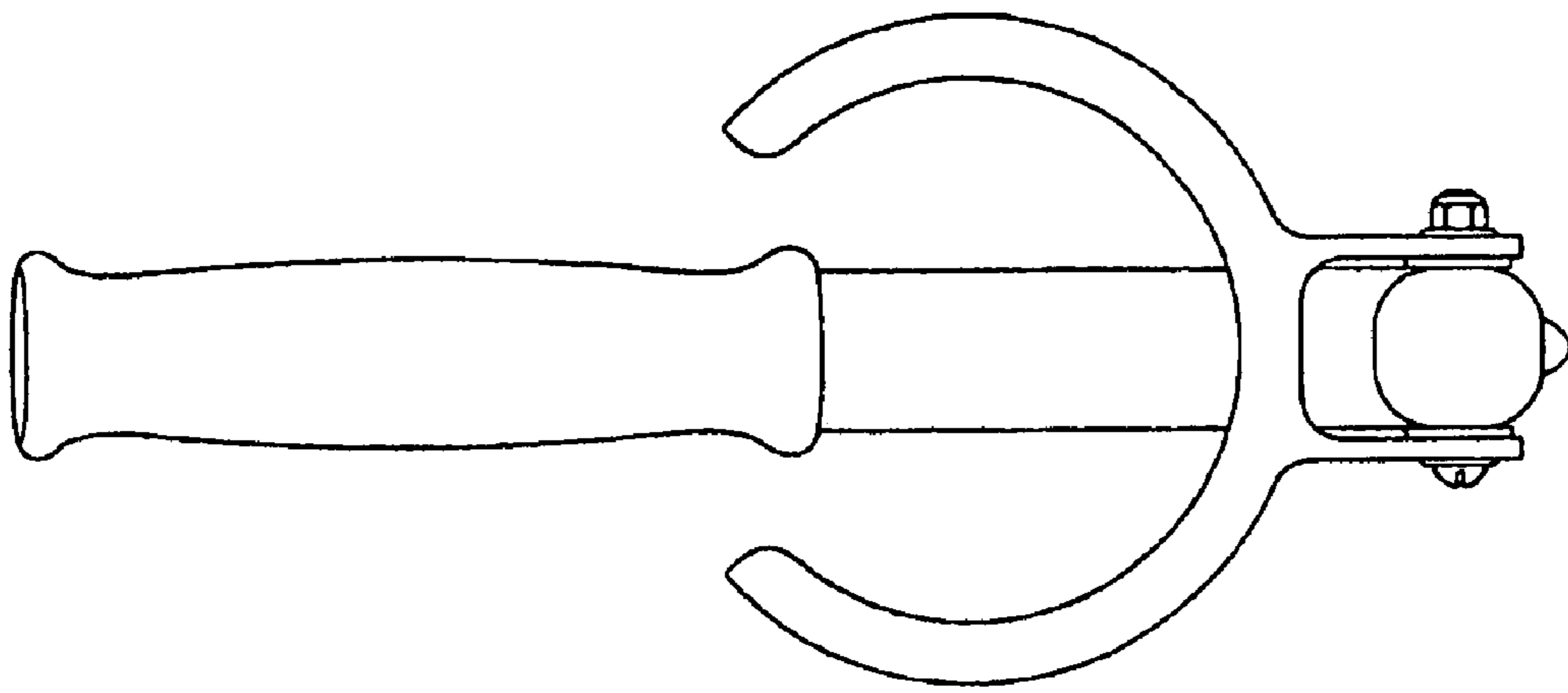


Fig. 2

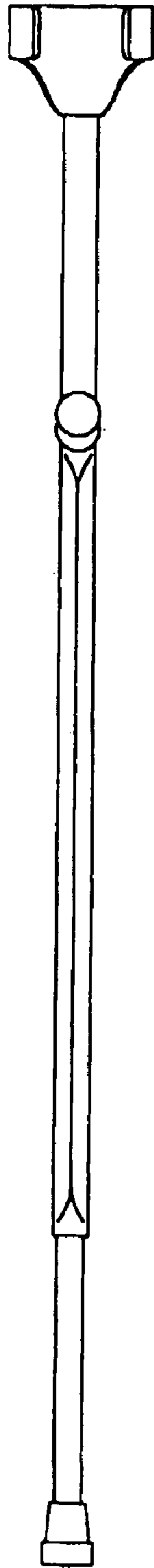


Fig. 3

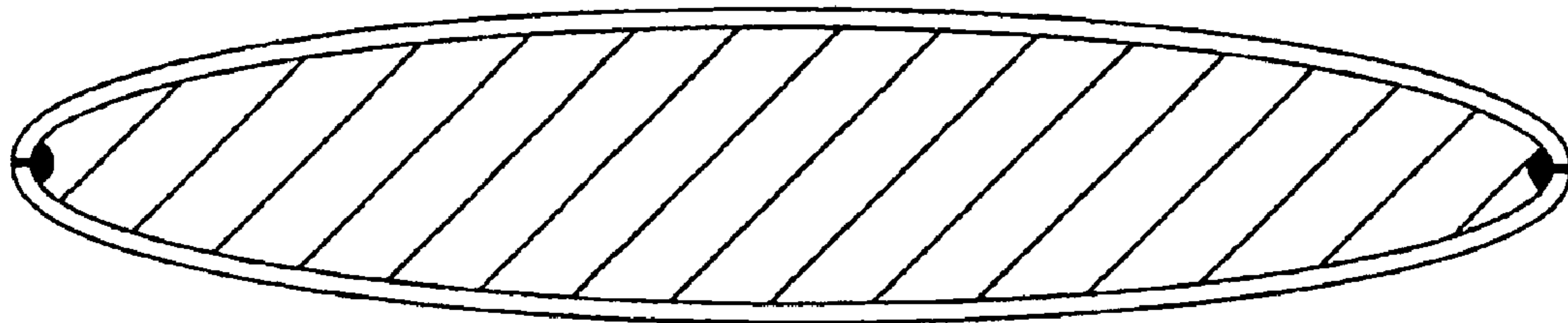


Fig. 4

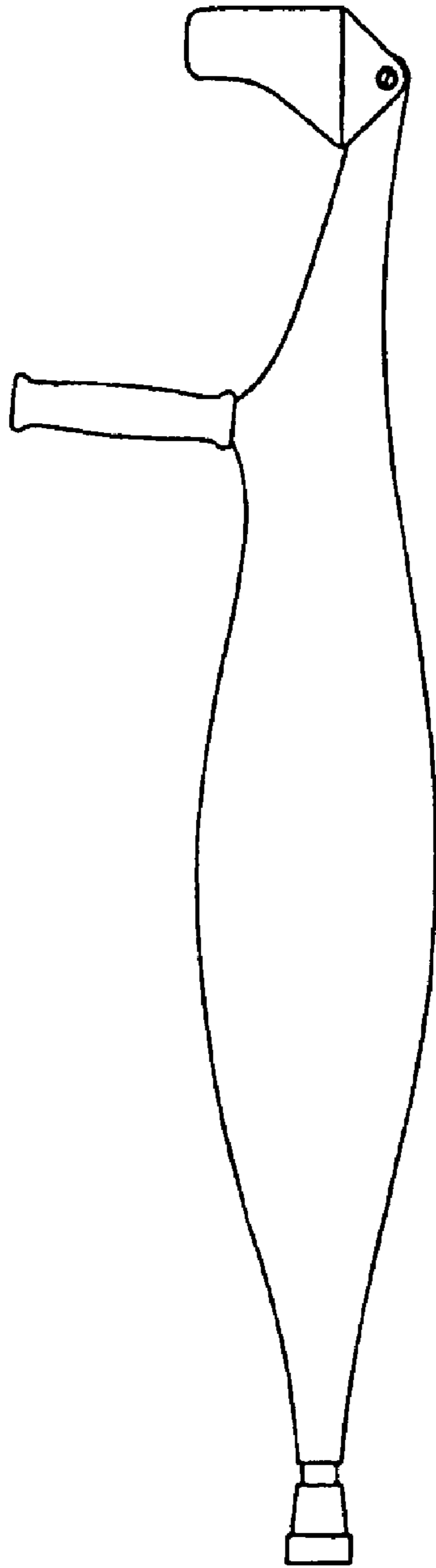


Fig. 5