



US00D530066S

(12) **United States Design Patent**
Earle

(10) **Patent No.:** **US D530,066 S**

(45) **Date of Patent:** **** Oct. 17, 2006**

(54) **PORTION OF AN ARTICLE OF FOOTWEAR**

(75) Inventor: **John Earle**, Portland, OR (US)

(73) Assignee: **Deckers Outdoor Corporation**, Goleta, CA (US)

(**) Term: **14 Years**

(21) Appl. No.: **29/239,866**

(22) Filed: **Oct. 5, 2005**

(51) **LOC (8) Cl.** **02-04**

(52) **U.S. Cl.** **D2/954; D2/951; D2/952; D2/953; D2/960**

(58) **Field of Classification Search** D2/902, D2/947-949, 951-957, 959-961, 964; 36/3 B, 36/22 R, 24.5, 25 R, 28, 32 R, 34 R, 67 A, 36/59 C

See application file for complete search history.

(56) **References Cited**

U.S. PATENT DOCUMENTS

D30,641 S	*	4/1899	Peters	D2/967
D54,515 S	*	2/1920	Wolcott	D2/955
D80,876 S	*	4/1930	Bannister	D2/955
D160,561 S	*	10/1950	Steinhilber	D2/955
D201,865 S	*	8/1965	Bingham, Jr. et al.	D2/955
D219,803 S	*	2/1971	Phillips	D2/955
D234,930 S	*	4/1975	Arambasic	D2/955
D248,429 S	*	7/1978	Inohara	D2/908
4,763,426 A	*	8/1988	Polus et al.	36/29
4,779,359 A	*	10/1988	Famolare, Jr.	36/29
D367,953 S	*	3/1996	King	D2/961
5,575,088 A	*	11/1996	Allen et al.	36/28
D379,115 S	*	5/1997	Kramer	D2/968
D395,157 S	*	6/1998	von Conta	D2/955
D396,549 S	*	8/1998	von Conta et al.	D2/955
D400,344 S	*	11/1998	Avar	D2/954
D401,744 S	*	12/1998	Greenberg	D2/955
D408,975 S	*	5/1999	Lotti	D2/955

D422,400 S	*	4/2000	Brady et al.	D2/902
D430,723 S	*	9/2000	Kim	D2/902
D432,292 S	*	10/2000	Kim	D2/902
D434,547 S	*	12/2000	Kim	D2/902
D446,632 S	*	8/2001	Swift	D2/912
D460,247 S	*	7/2002	Liu et al.	D2/952
D460,606 S	*	7/2002	Clark et al.	D2/952
D461,298 S	*	8/2002	Urie et al.	D2/955
D462,509 S	*	9/2002	Merceron	D2/956
D466,682 S	*	12/2002	Ortuno Santa	D2/954
D483,933 S	*	12/2003	Adams et al.	D2/955
D488,915 S	*	4/2004	Girbaud et al.	D2/955
D504,555 S	*	5/2005	Urie	D2/955
D508,161 S	*	8/2005	Hatfield et al.	D2/954

* cited by examiner

Primary Examiner—Celia A. Murphy

(74) *Attorney, Agent, or Firm*—Greer, Burns & Crain, LTD

(57) **CLAIM**

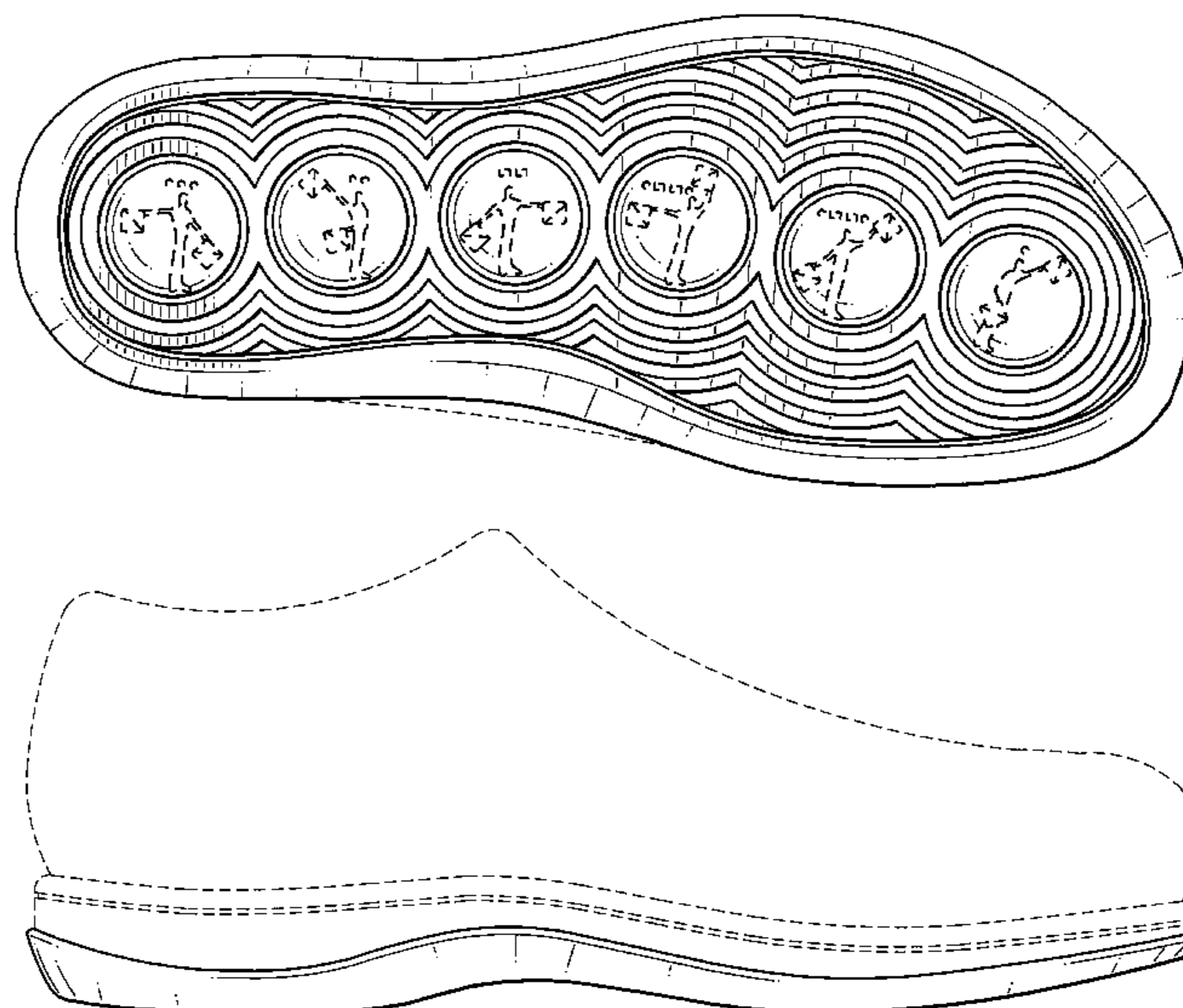
The ornamental design for a portion of an article of footwear, as shown and described.

DESCRIPTION

FIG. 1 is a bottom perspective view of a portion of an article of footwear showing my new design; FIG. 2 is a bottom plan view thereof; FIG. 3 is a left side elevational view thereof; FIG. 4 is a right side elevational view thereof; FIG. 5 is a front elevational view thereof; and, FIG. 6 is a rear elevational view thereof.

The broken lines showing a footwear upper and periphery in FIGS. 1-6 represent the portions of the design that form no part of the claim. The six inscribed, innermost circles in FIGS. 1, 2, & 5 define the interior boundary of the design. The broken lines showing human forms within the circles also illustrate portions of the design that form no part of the claim.

1 Claim, 5 Drawing Sheets



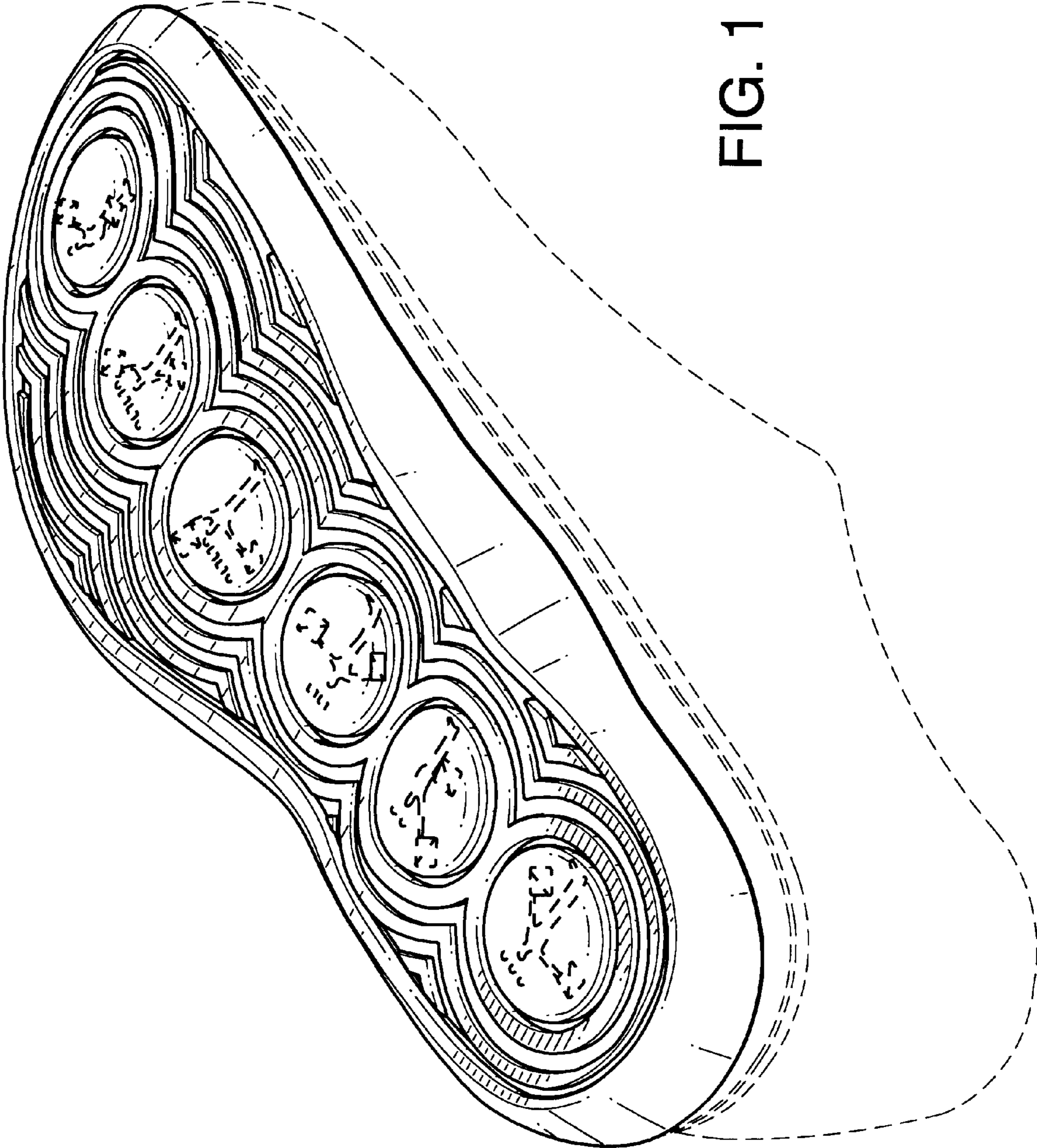


FIG. 1

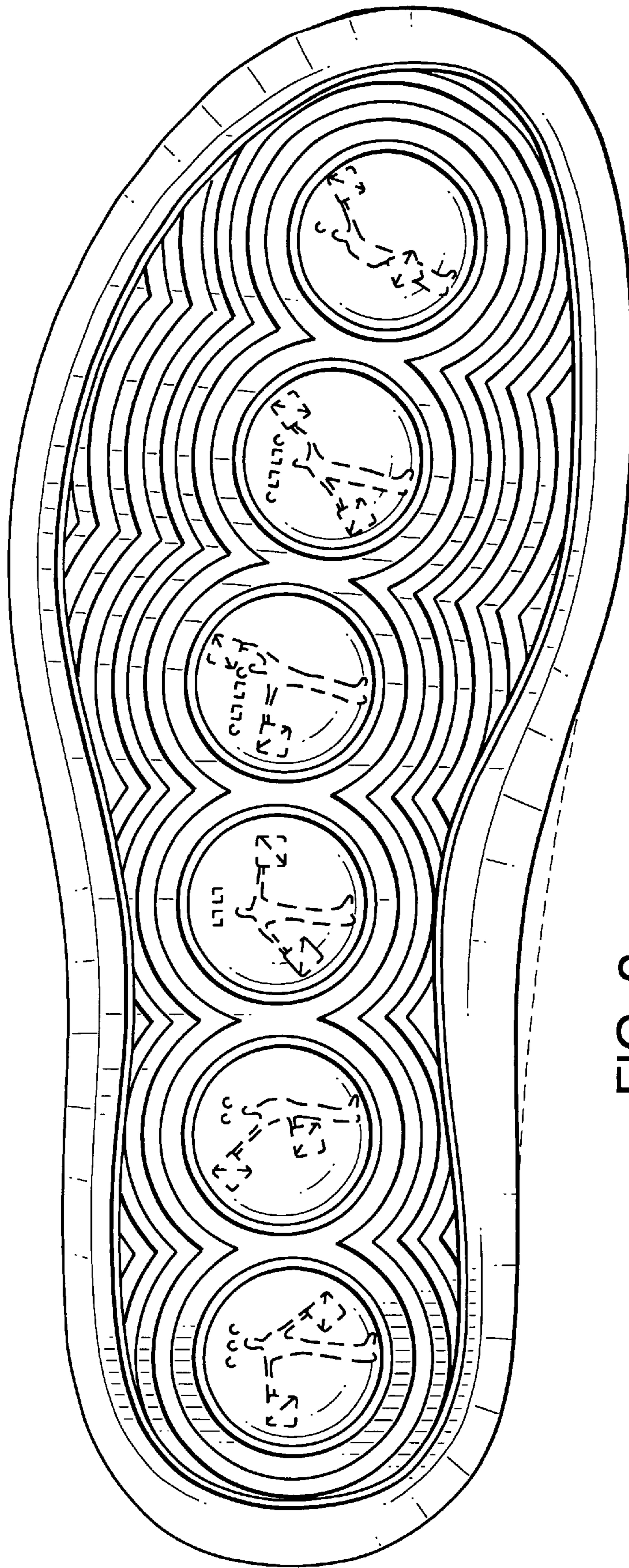


FIG. 2

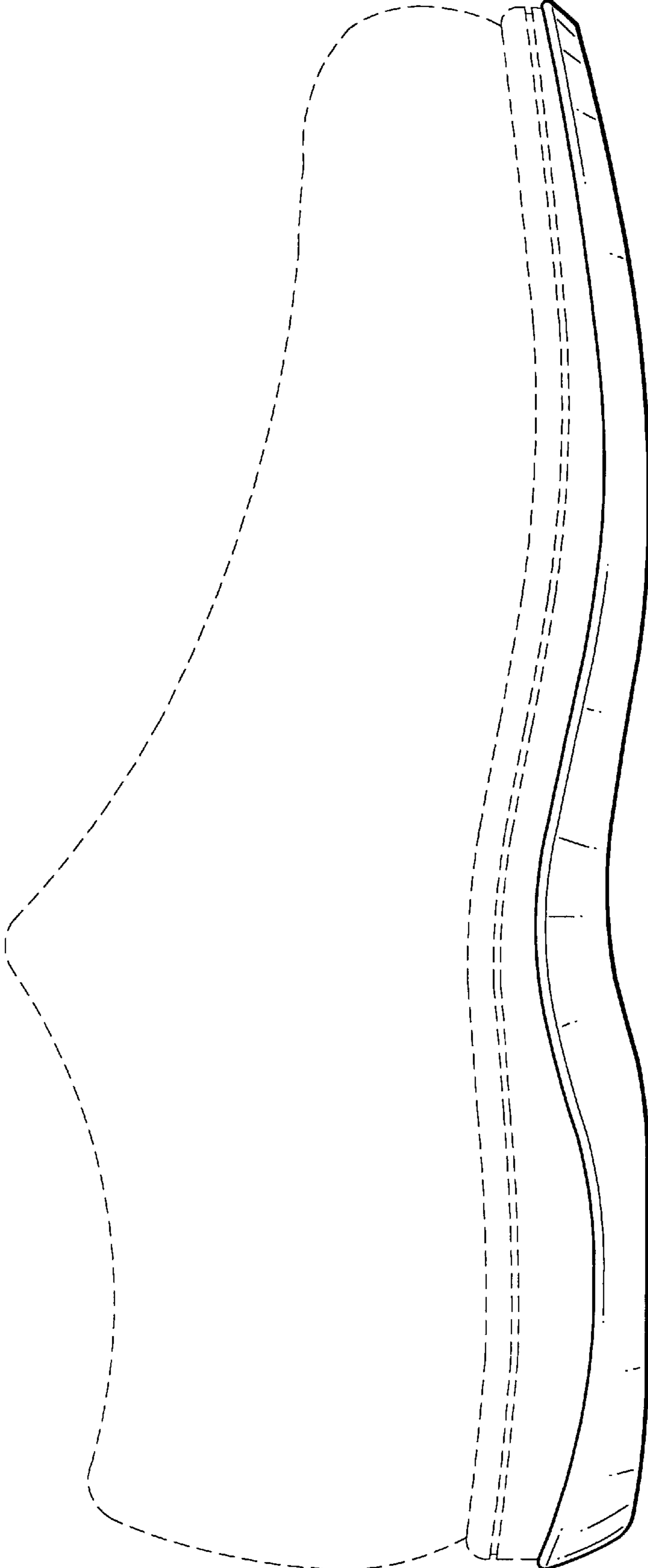


FIG. 3

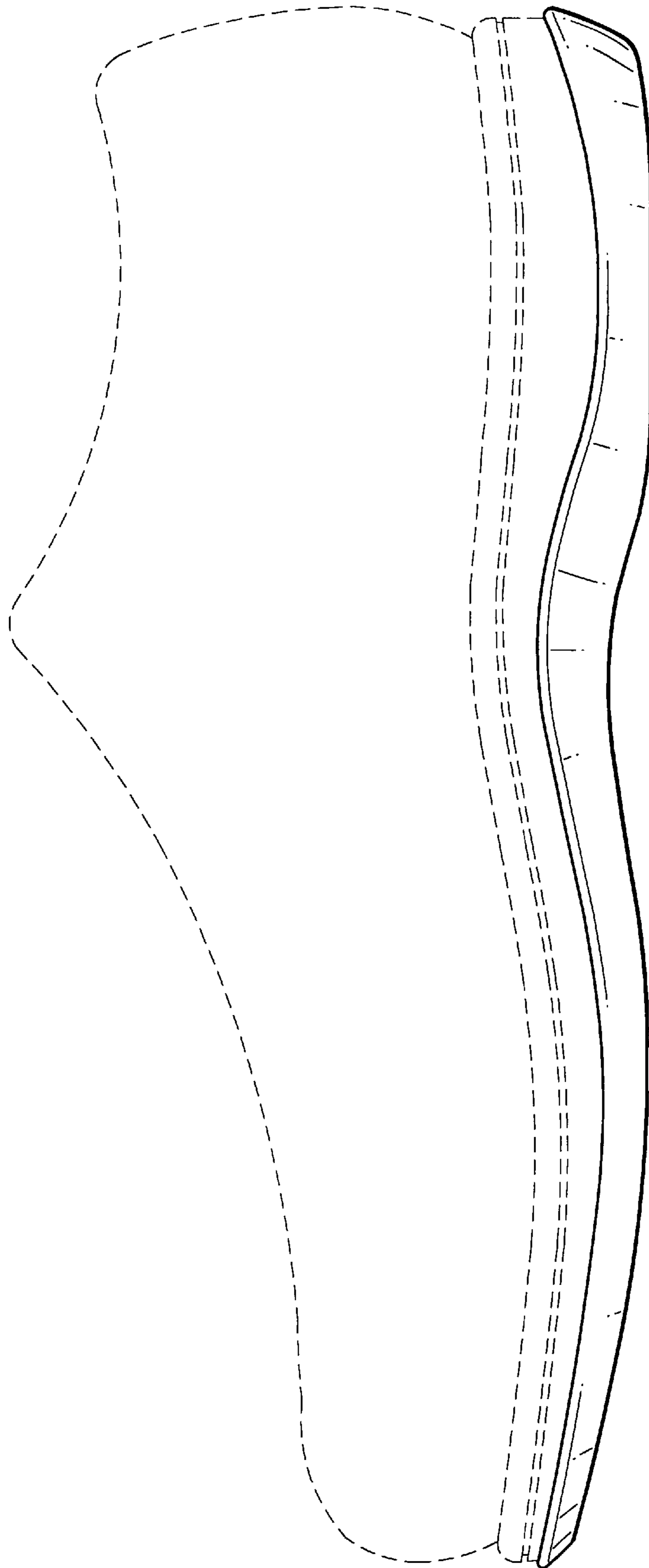


FIG. 4

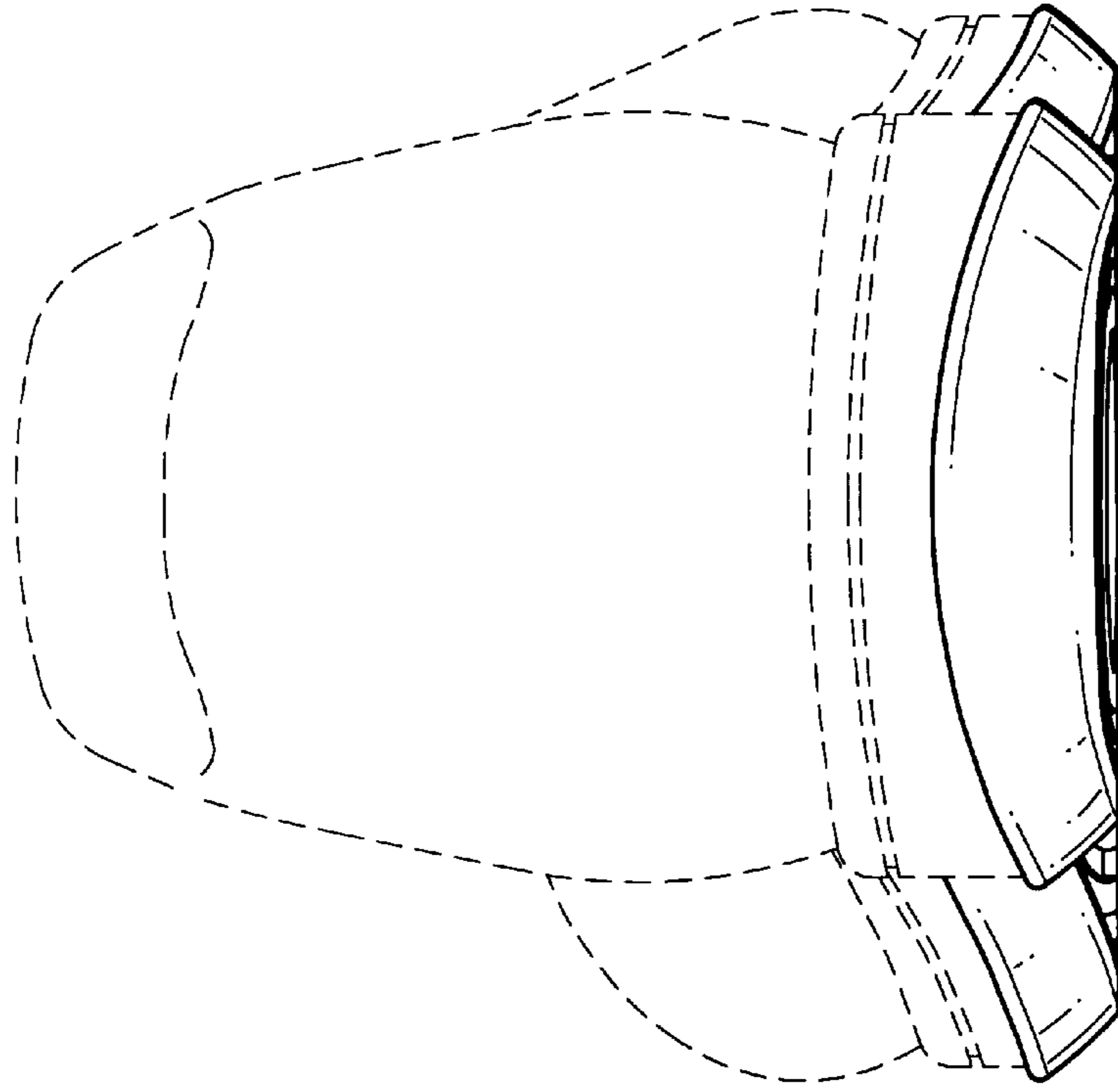


FIG. 6

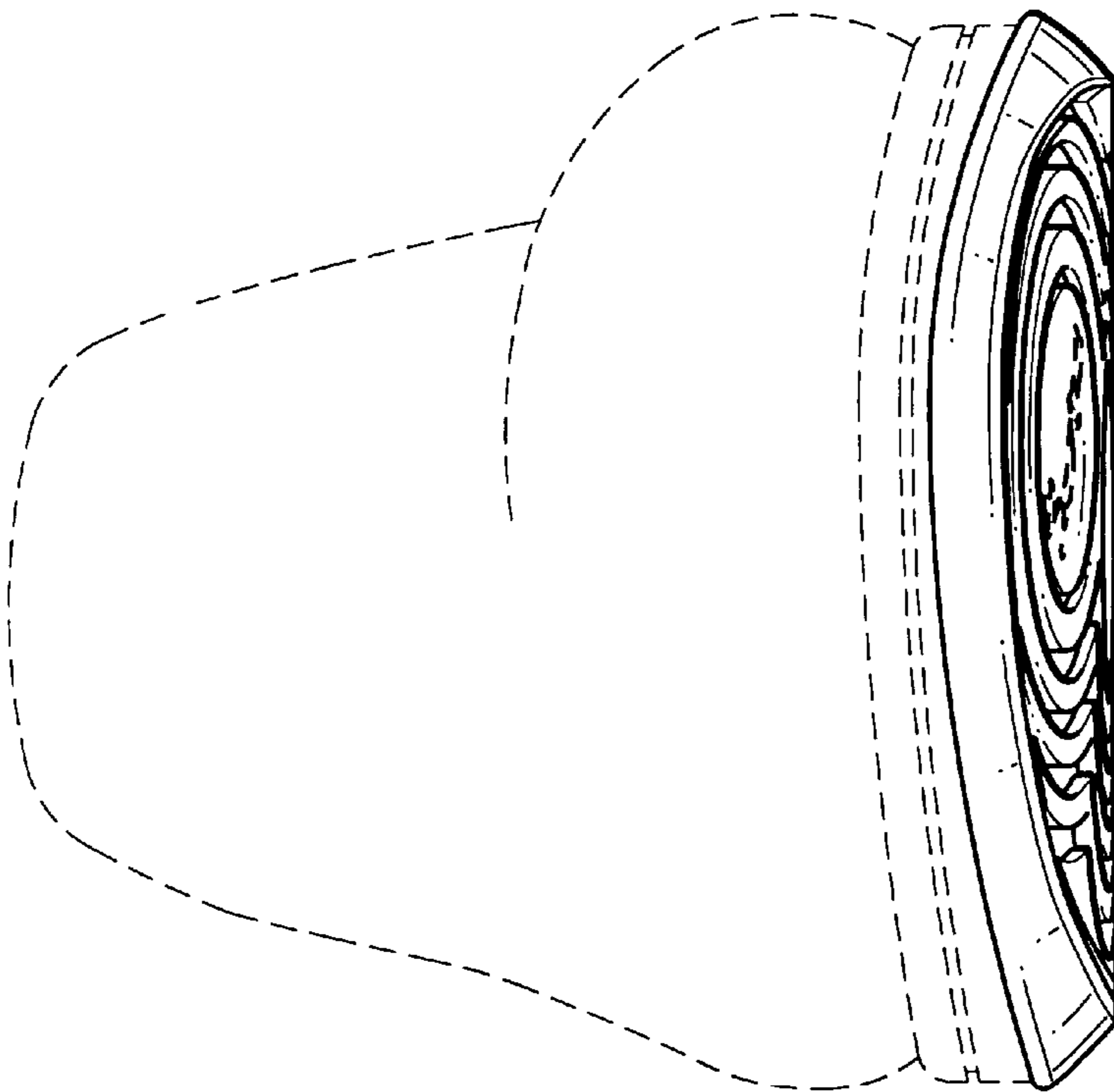


FIG. 5