



US00D530060S

(12) **United States Design Patent**  
**Quintero**

(10) **Patent No.:** **US D530,060 S**

(45) **Date of Patent:** **\*\* Oct. 17, 2006**

(54) **SMOCK**

(76) **Inventor:** **Jayne C. Quintero**, 7446 N. Navajo Rd., Fox Point, WI (US) 53217

(\*\*) **Term:** **14 Years**

(21) **Appl. No.:** **29/174,300**

(22) **Filed:** **Jan. 15, 2003**

(51) **LOC (8) Cl.** ..... **02-02**

(52) **U.S. Cl.** ..... **D2/861; D2/829; D2/864**

(58) **Field of Classification Search** ..... D2/738, D2/740, 742, 747, 748, 823, 828, 829, 857, D2/860, 863, 864, 720, 839, 841, 850; 2/48, 2/49.1, 49.2, 50, 51, 52, 53, 56, 87, 93, 98, 2/102, 104, 79, 129, 227, 242, 46, 69, 2.15, 2/911, 75, 85, 103; 250/516.1; 450/1; 156/200  
See application file for complete search history.

(56) **References Cited**

**U.S. PATENT DOCUMENTS**

675,985	A	*	6/1901	Sprague	2/102
2,556,931	A	*	6/1951	Miller	2/114
2,589,636	A	*	3/1952	Smith	2/459
2,743,446	A	*	5/1956	Persico et al.	2/2.5
2,756,431	A	*	7/1956	DeLuca, Jr. et al.	2/87
3,230,546	A	*	1/1966	Sabee	2/114
3,521,301	A	*	7/1970	Cowen	2/114
3,861,974	A	*	1/1975	Trombly et al.	156/200
4,196,355	A	*	4/1980	Maine	250/516.1
D305,376	S	*	1/1990	Russell	D2/720
5,031,244	A	*	7/1991	Inagaki	2/102
D344,393	S		2/1994	Winter	D2/860
5,365,614	A	*	11/1994	Perkins	2/247
D359,610	S	*	6/1995	Armistead	D2/839

5,694,651	A	*	12/1997	Thomas	2/69
5,768,707	A	*	6/1998	Lederer	2/114
6,048,252	A	*	4/2000	Sebring	450/1
D438,365	S		3/2001	Matrasingh	D2/841

**FOREIGN PATENT DOCUMENTS**

JP	10018111	A	*	1/1998
JP	10168616	A	*	6/1998
JP	10281697	A	*	10/1998
JP	11107014	A	*	4/1999
JP	2003265217	A	*	9/2003

**OTHER PUBLICATIONS**

Health Care Wear; www.healthcarewear.com; 2000, Pockets: Item A, second on first row.\*

\* cited by examiner

*Primary Examiner*—Ian Simmons

*Assistant Examiner*—R. Johnson

(74) *Attorney, Agent, or Firm*—Quarles & Brady LLP

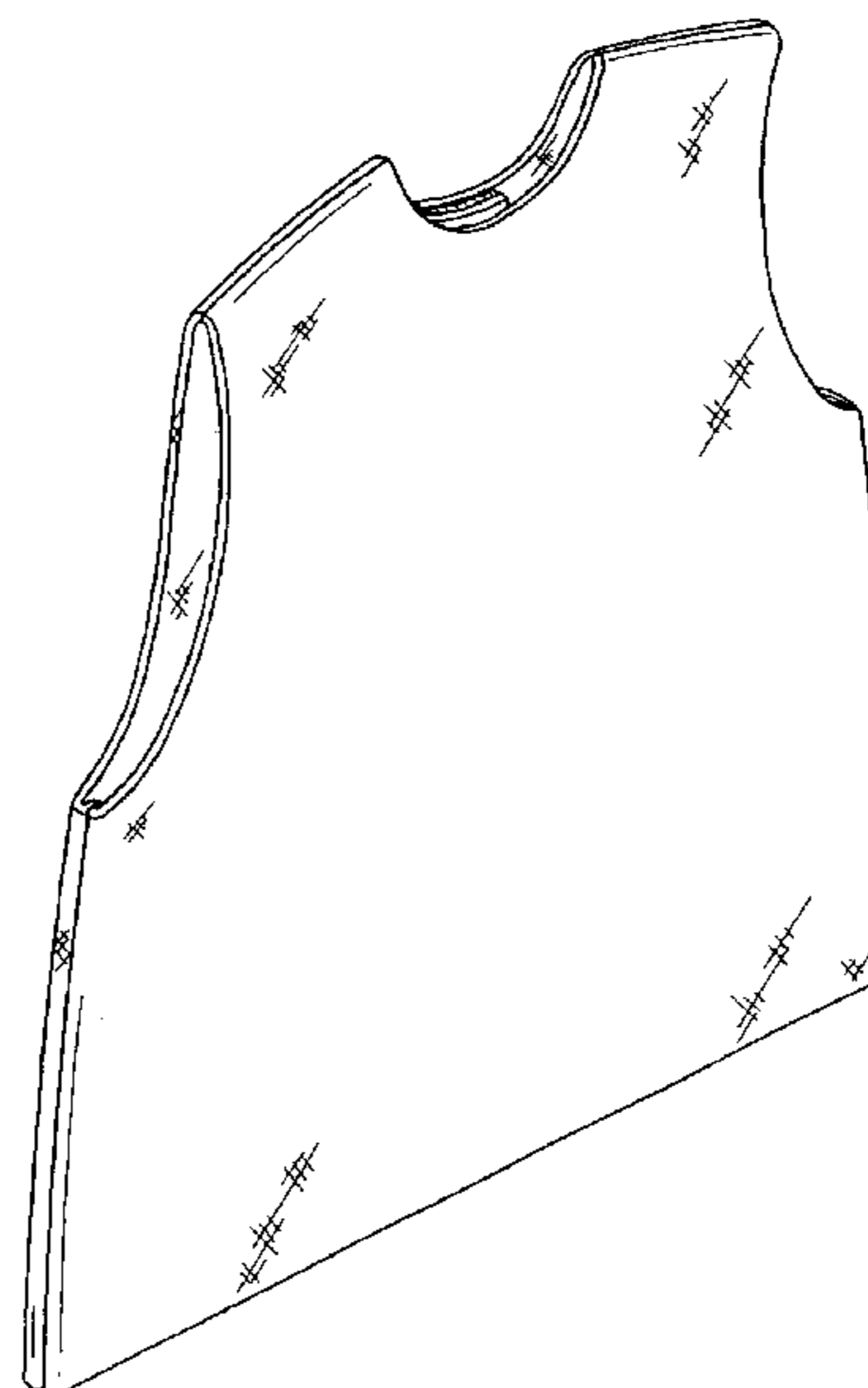
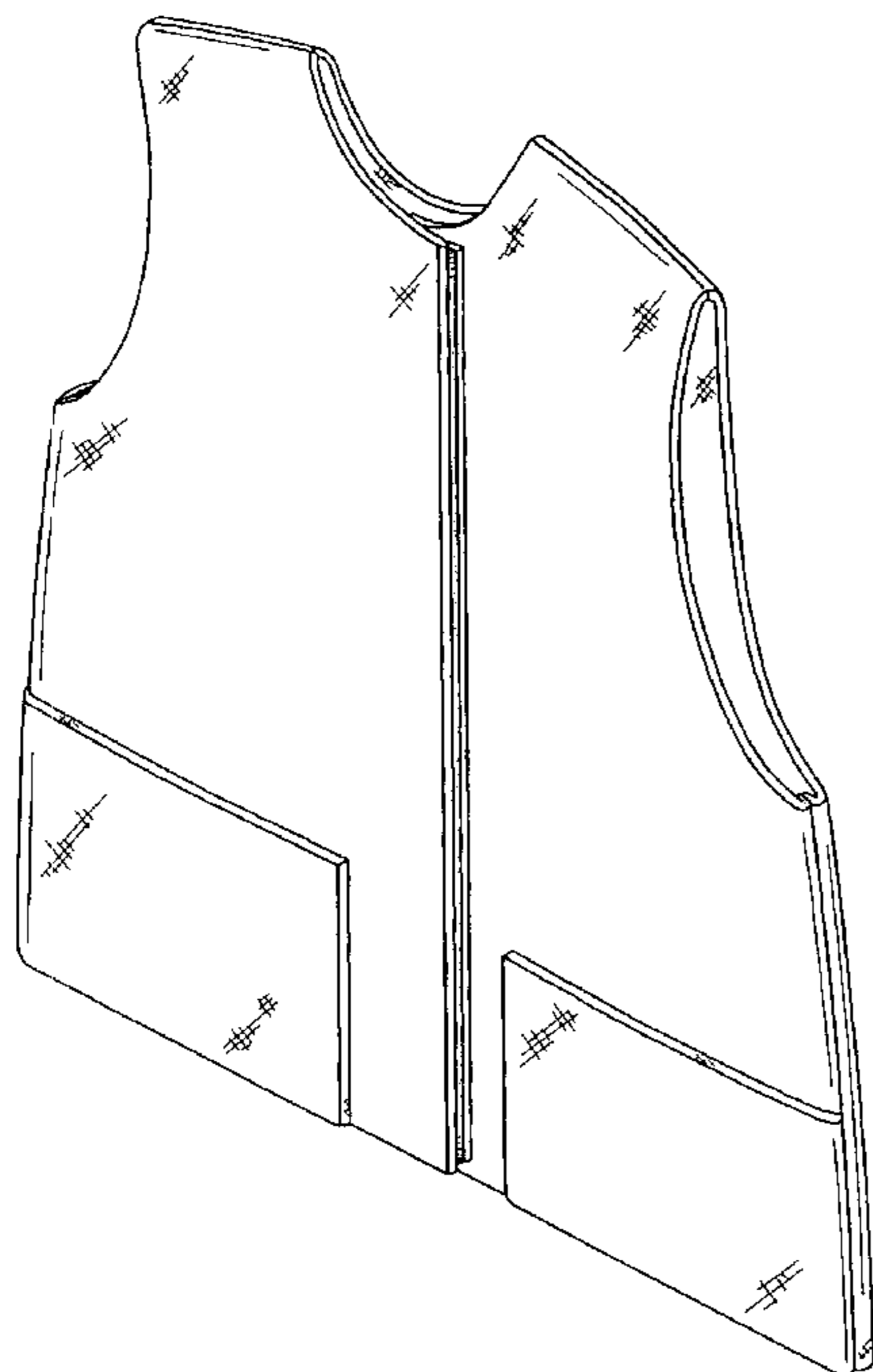
(57) **CLAIM**

The ornamental design for a smock, as shown and described.

**DESCRIPTION**

FIG. 1 is a front perspective view of the smock showing my new design;  
FIG. 2 is a rear perspective view thereof;  
FIG. 3 is a front elevational view thereof;  
FIG. 4 is a top plan view thereof;  
FIG. 5 is a bottom plan view thereof;  
FIG. 6 is a left elevational view thereof;  
FIG. 7 is a right elevational view thereof; and,  
FIG. 8 is a rear elevational view thereof.

**1 Claim, 4 Drawing Sheets**



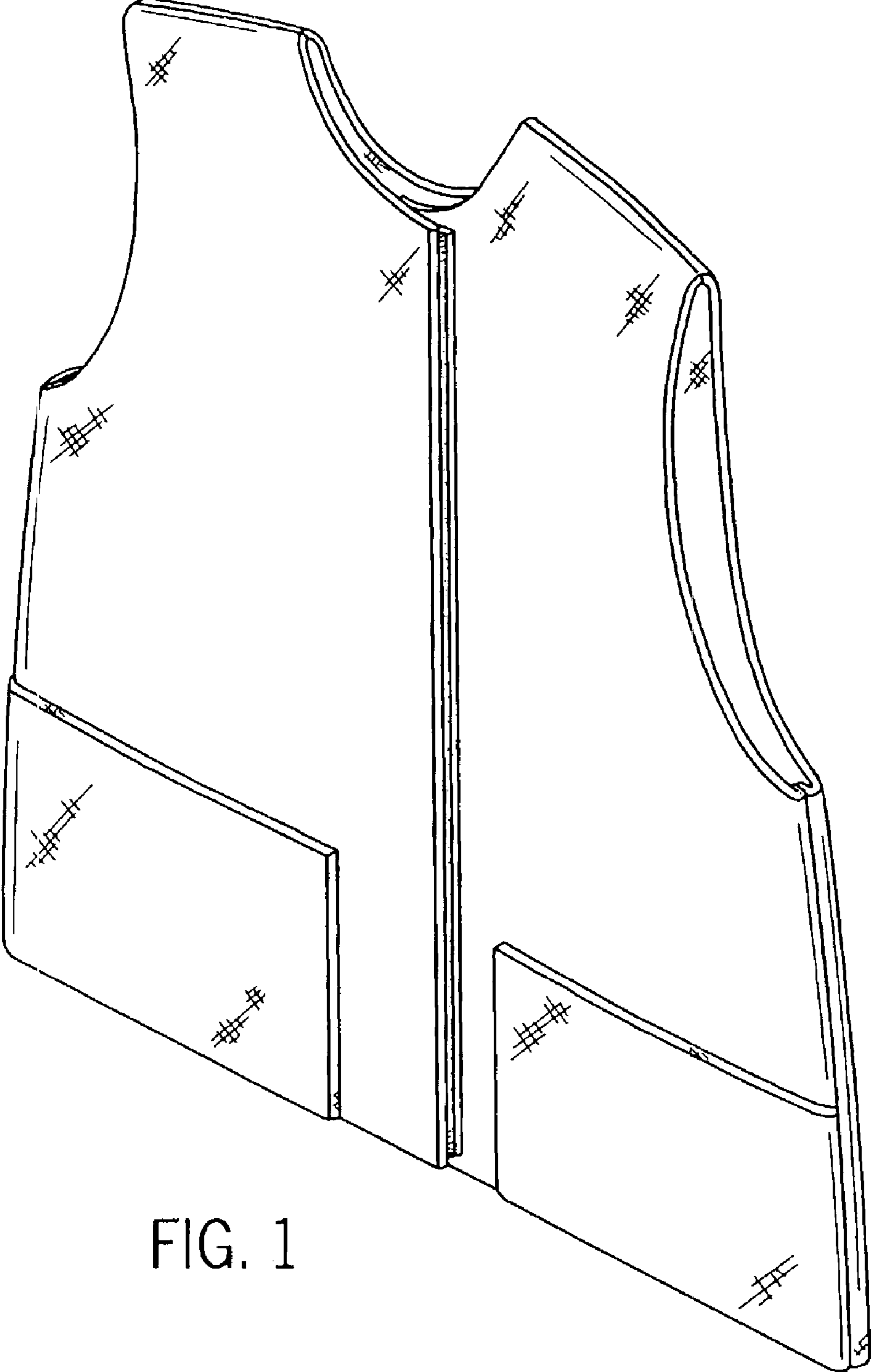


FIG. 1

FIG. 2

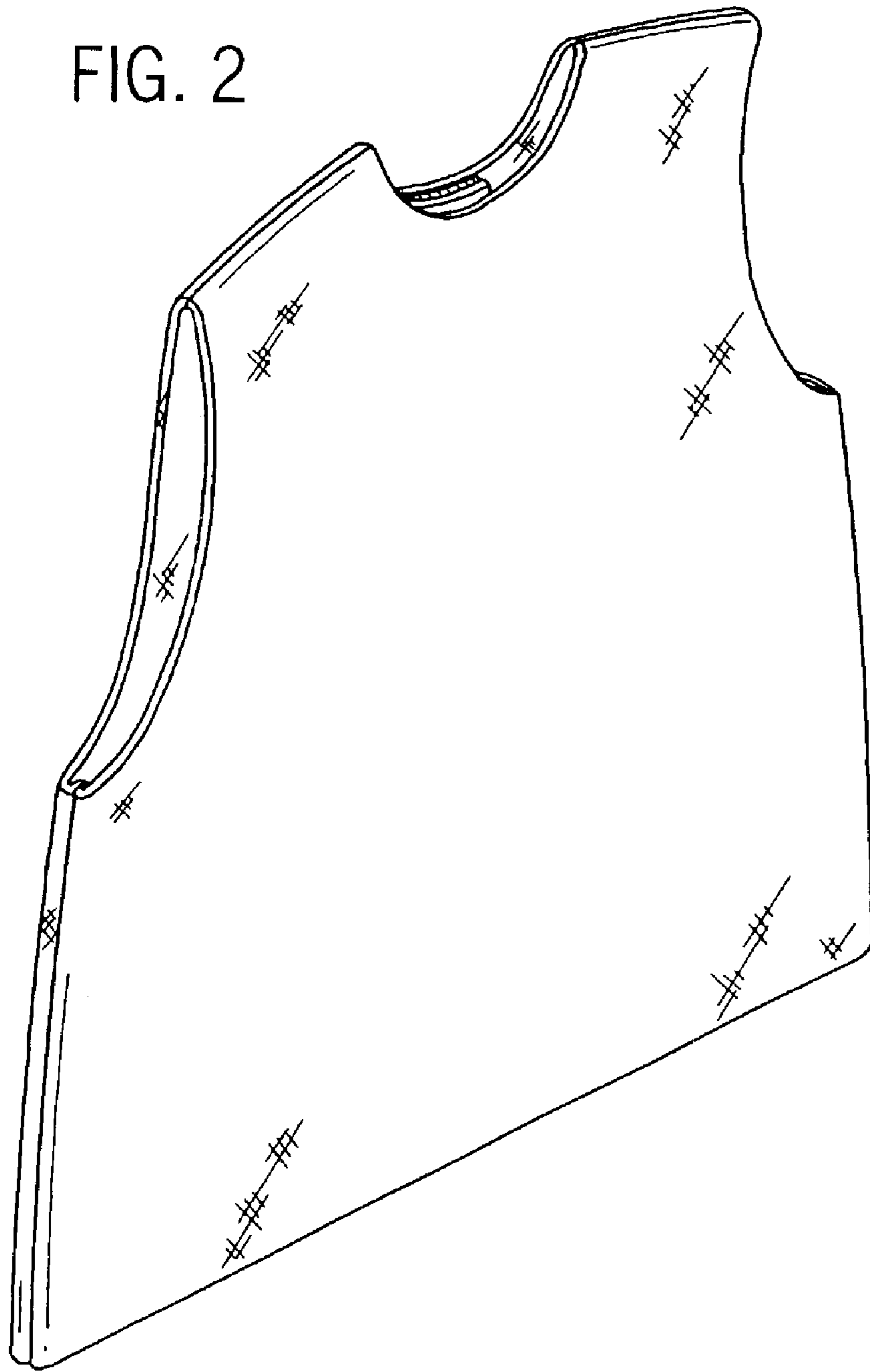


FIG. 4

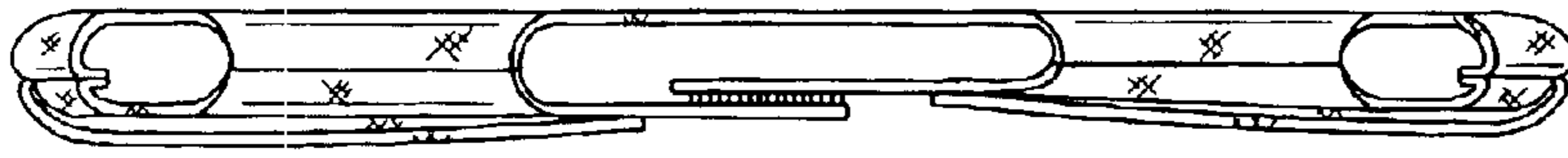


FIG. 3

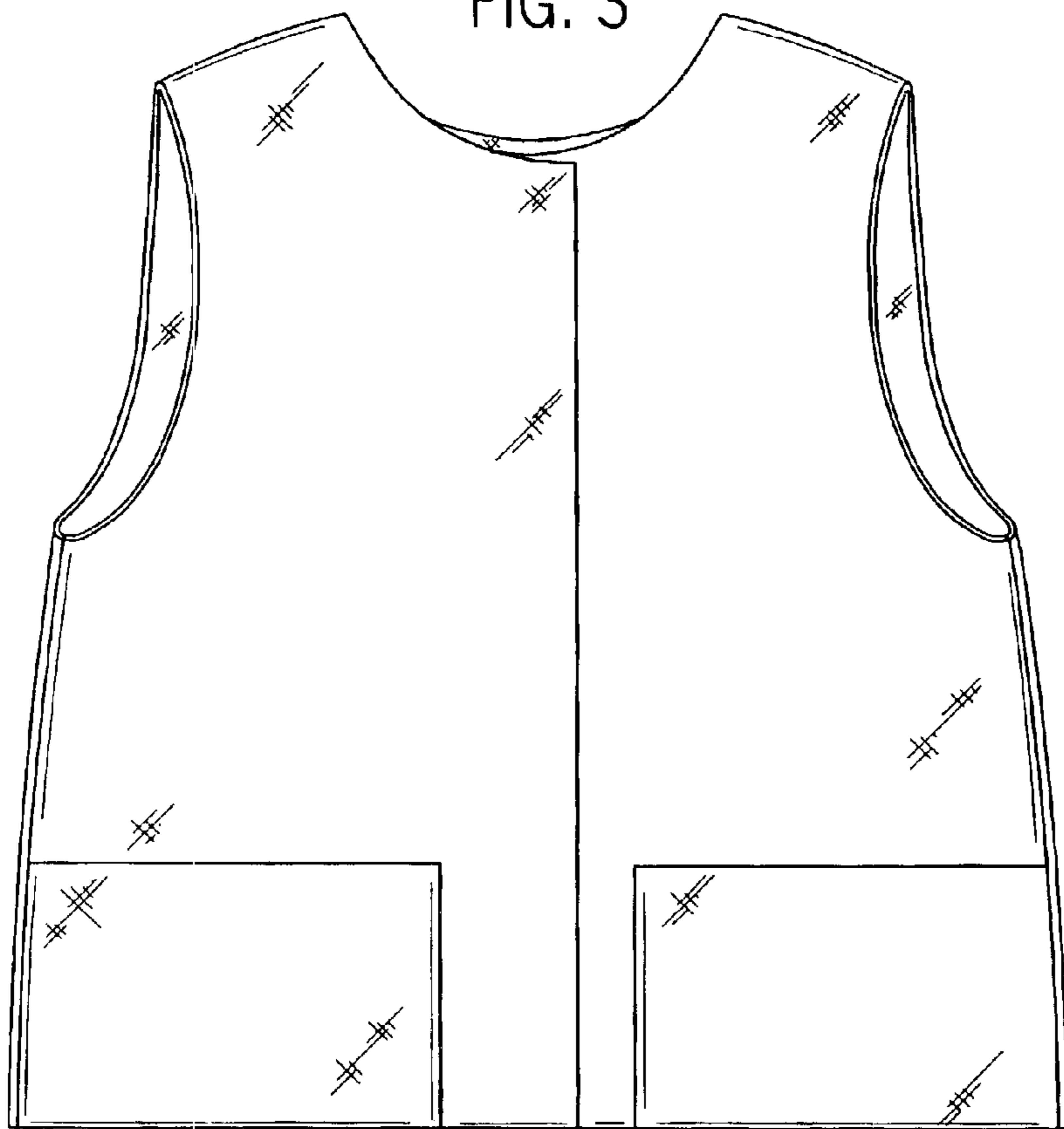


FIG. 6

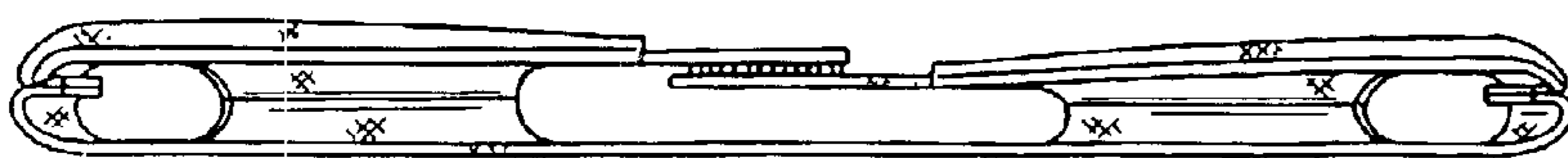


FIG. 5

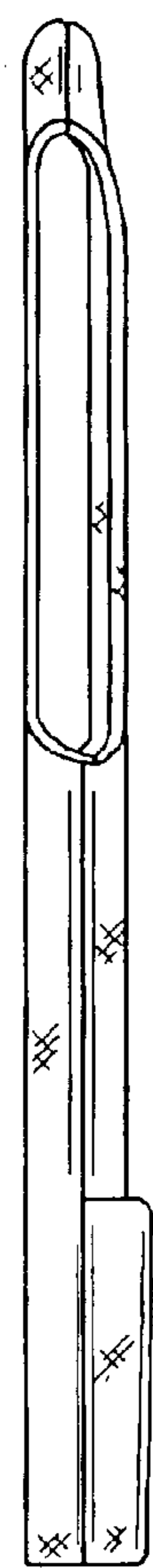


FIG. 7

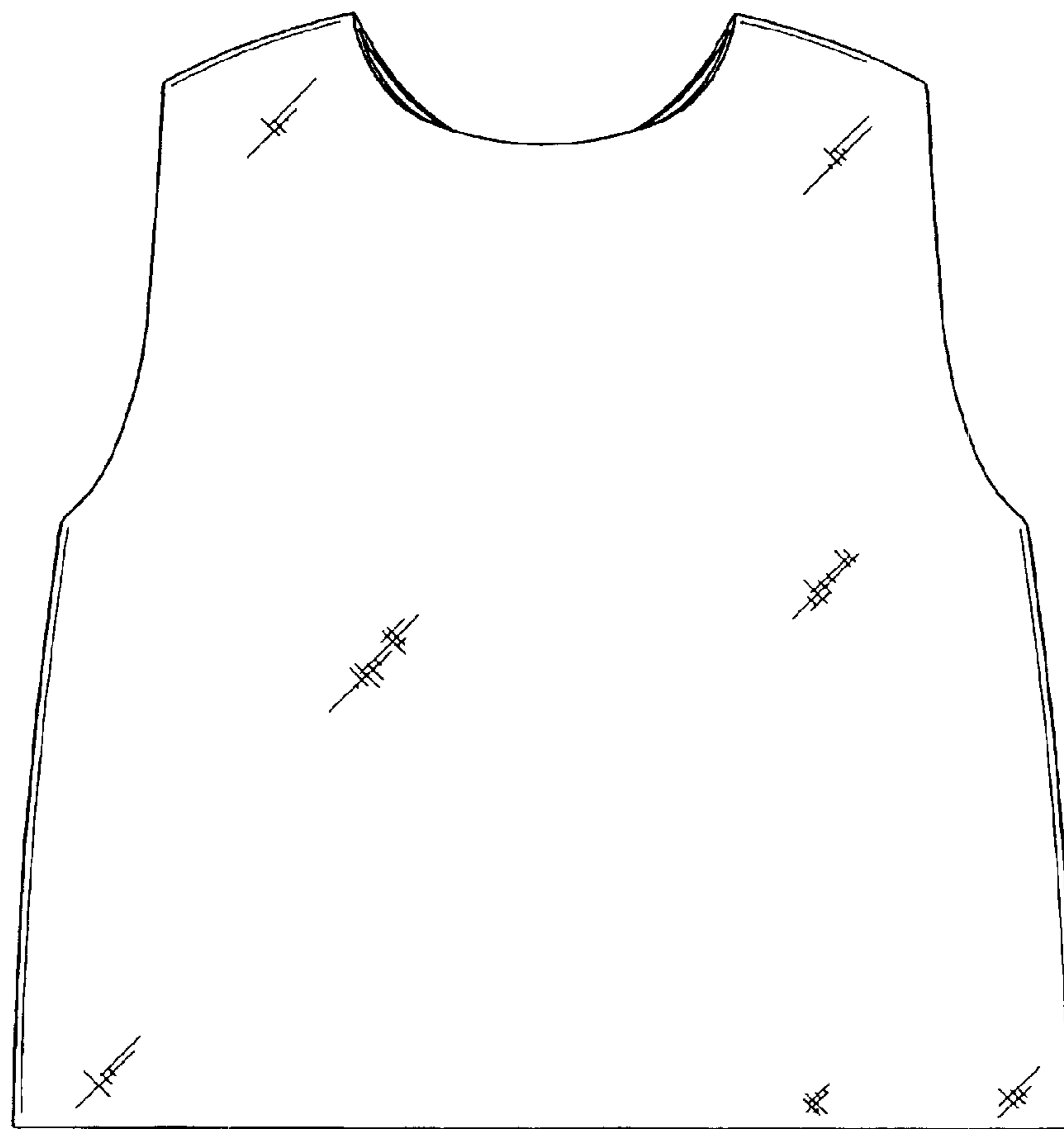


FIG. 8