



US00D530054S

(12) **United States Design Patent**  
**Laiche**

(10) **Patent No.:** **US D530,054 S**

(45) **Date of Patent:** **\*\* Oct. 10, 2006**

(54) **CART FOR BEACH AND CAMPING SUPPLIES**

5,433,462 A \* 7/1995 Groleau ..... 280/38  
5,791,667 A \* 8/1998 Knoll ..... 280/47.19  
D400,333 S \* 10/1998 Westlake ..... D34/17

(75) Inventor: **Mark David Laiche**, 323 Aurora Ave.,  
Metairie, LA (US) 70005

\* cited by examiner

(73) Assignee: **Mark David Laiche**, Metairie, LA (US)

*Primary Examiner*—Freda Nunn  
*Assistant Examiner*—Kevin K. Rudzinski

(\*\*) Term: **14 Years**

(57) **CLAIM**

(21) Appl. No.: **29/228,542**

The ornamental design for a cart for beach and camping supplies, as shown and described.

(22) Filed: **Apr. 26, 2005**

**DESCRIPTION**

(51) **LOC (8) Cl.** ..... **12-02**

(52) **U.S. Cl.** ..... **D34/24**

(58) **Field of Classification Search** ..... D34/12-27;  
280/47.31, 47.3, 47.32, 78, 47.24, 47.26,  
280/30, 40, 652, 659, 643, 639, 651; 296/20  
See application file for complete search history.

FIG. 1 is an exploded front elevational view of a cart for beach and camping supplies showing my new design with the cart attachment before assembly;

FIG. 2 is a rear elevational view thereof with the cart attachment after assembly;

FIG. 3 is a left side elevational view thereof; the right side being a mirror image, shown without the cart attachment;

FIG. 4 is a top plan view thereof;

FIG. 5 is a bottom plan view thereof; and,

FIG. 6 is a reduced rear elevational view shown in condition of use.

The broken line showing the vehicle is for illustrative purposes only and forms no part of the claimed design.

(56) **References Cited**

U.S. PATENT DOCUMENTS

2,967,058 A \* 1/1961 Hoffmann, Jr. .... 280/30  
3,223,429 A \* 12/1965 Hastings ..... 280/641  
3,679,227 A \* 7/1972 Rock ..... 280/47.24  
3,693,993 A \* 9/1972 Mazzarelli et al. .... 280/30  
3,741,586 A \* 6/1973 Wiczer ..... 280/764.1  
4,815,761 A \* 3/1989 Henderson et al. .... 280/47.3  
5,330,212 A \* 7/1994 Gardner ..... 280/40

**1 Claim, 4 Drawing Sheets**

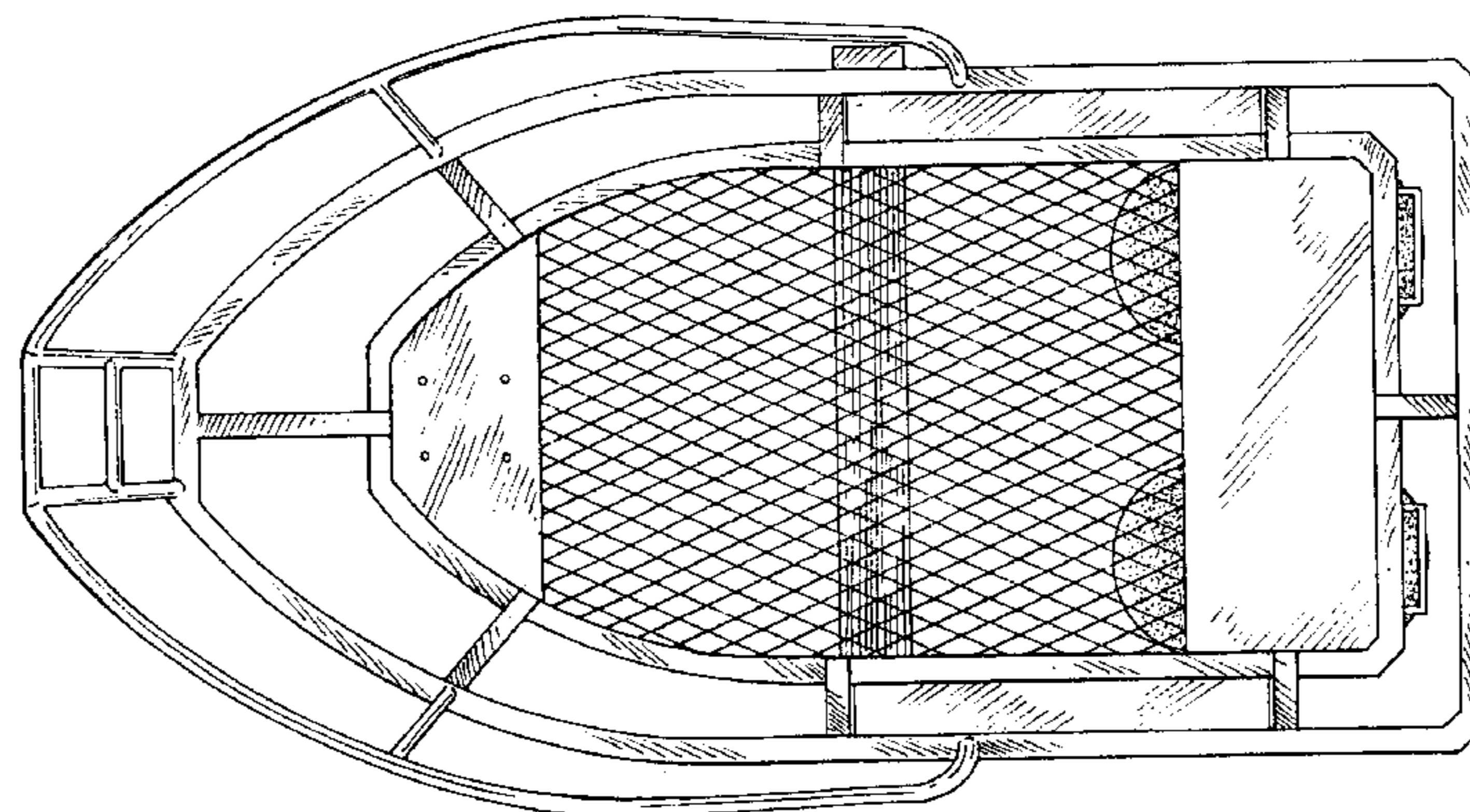
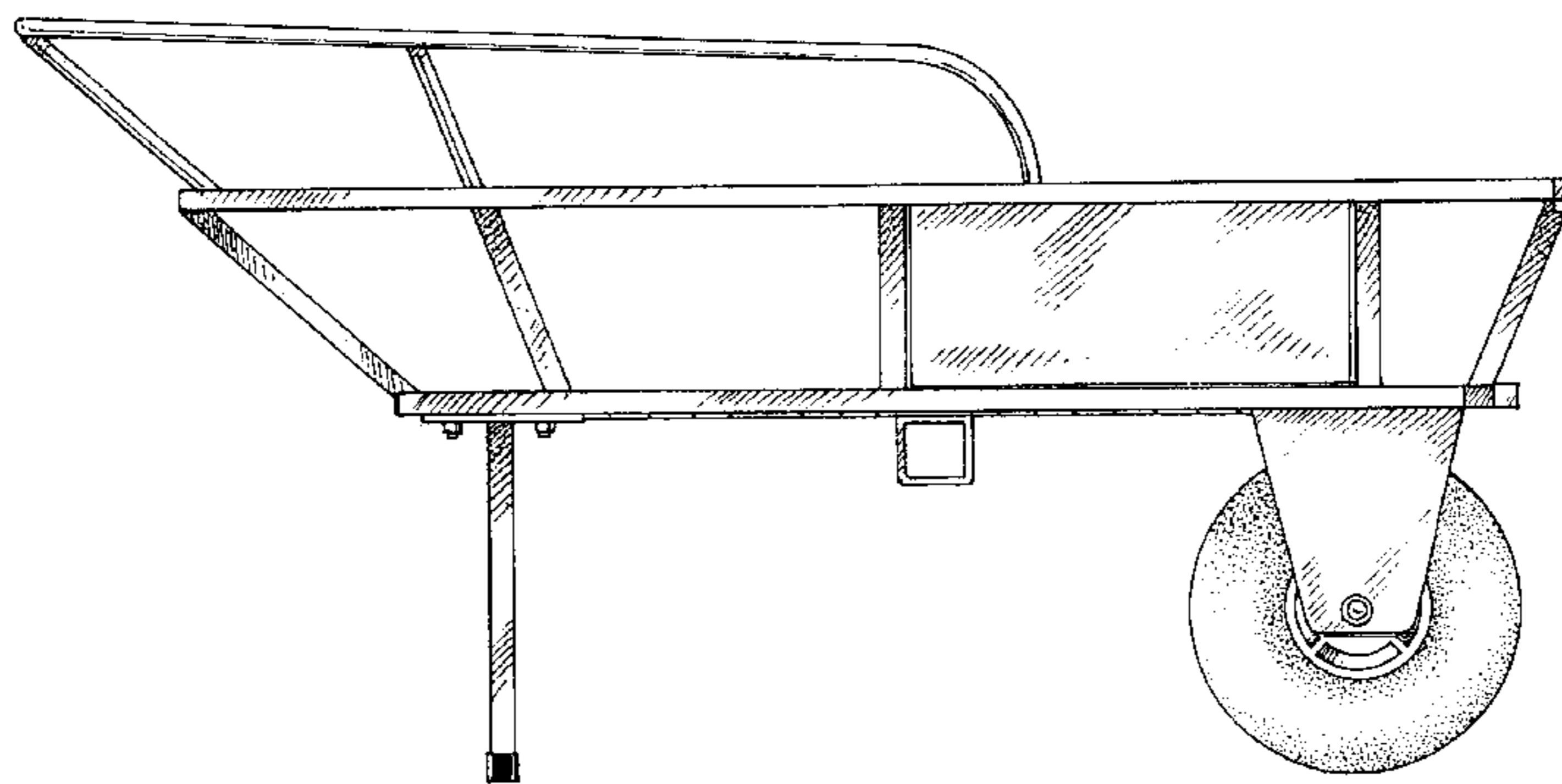


Fig. 1

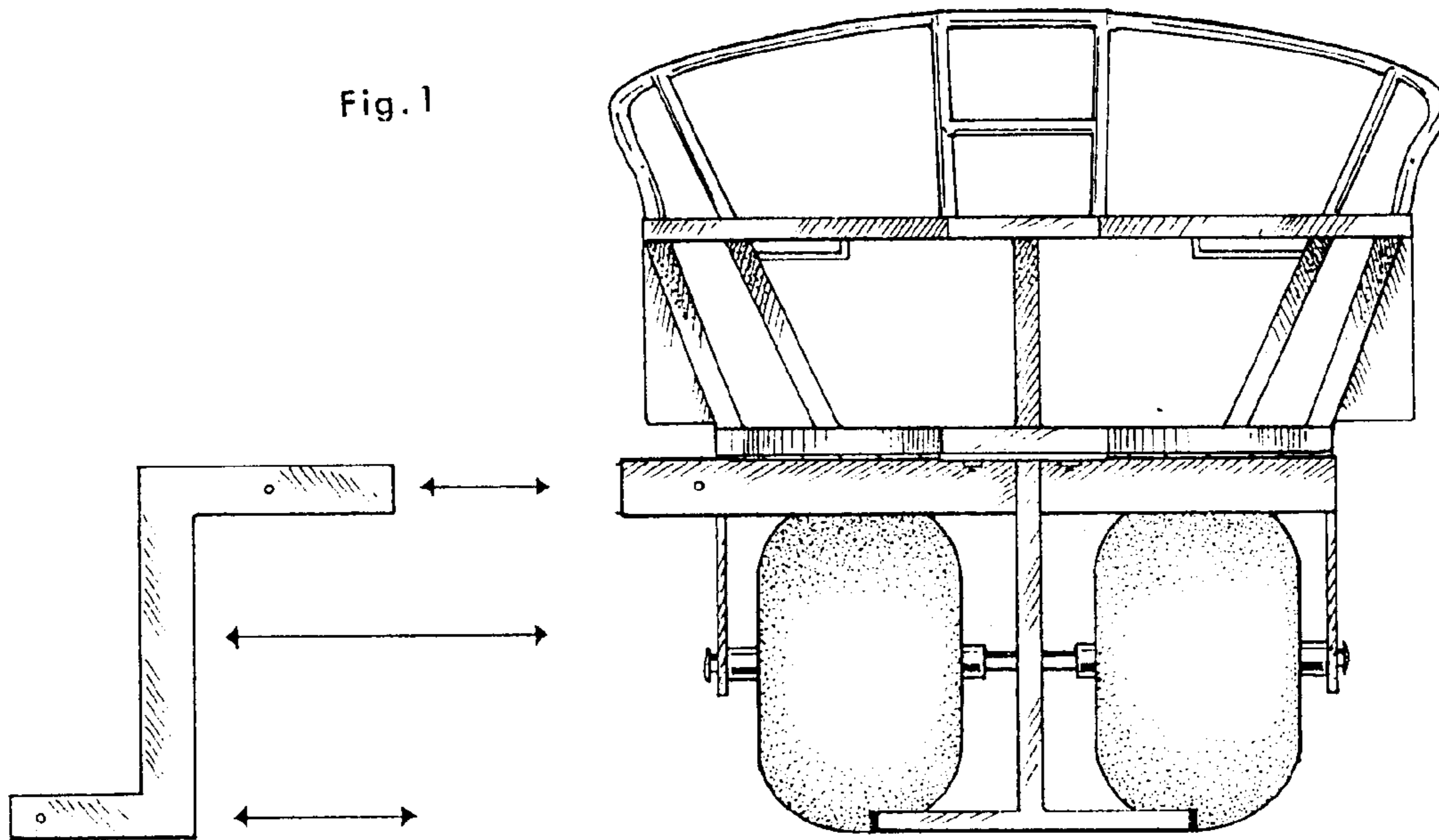


Fig. 2

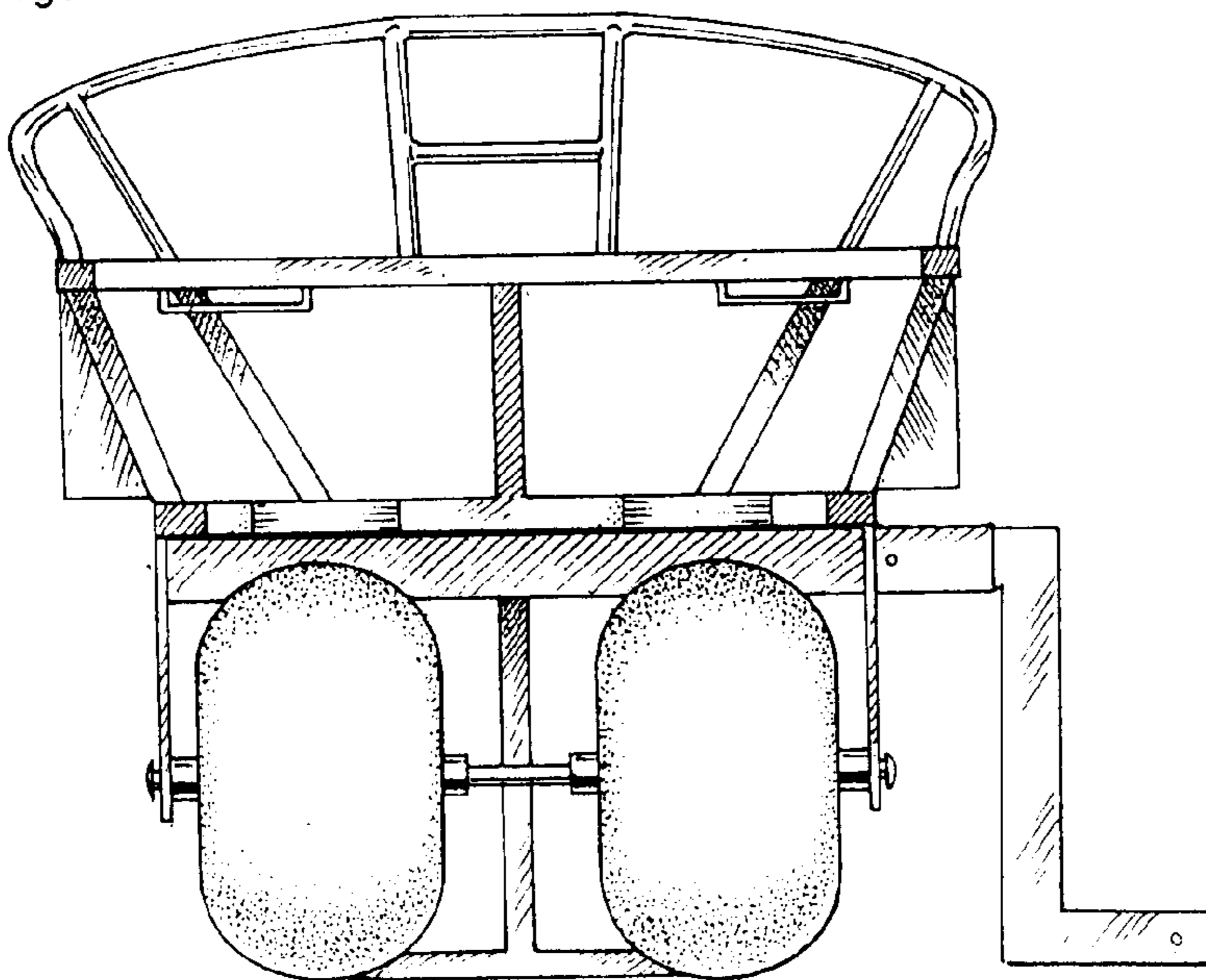




Fig. 3

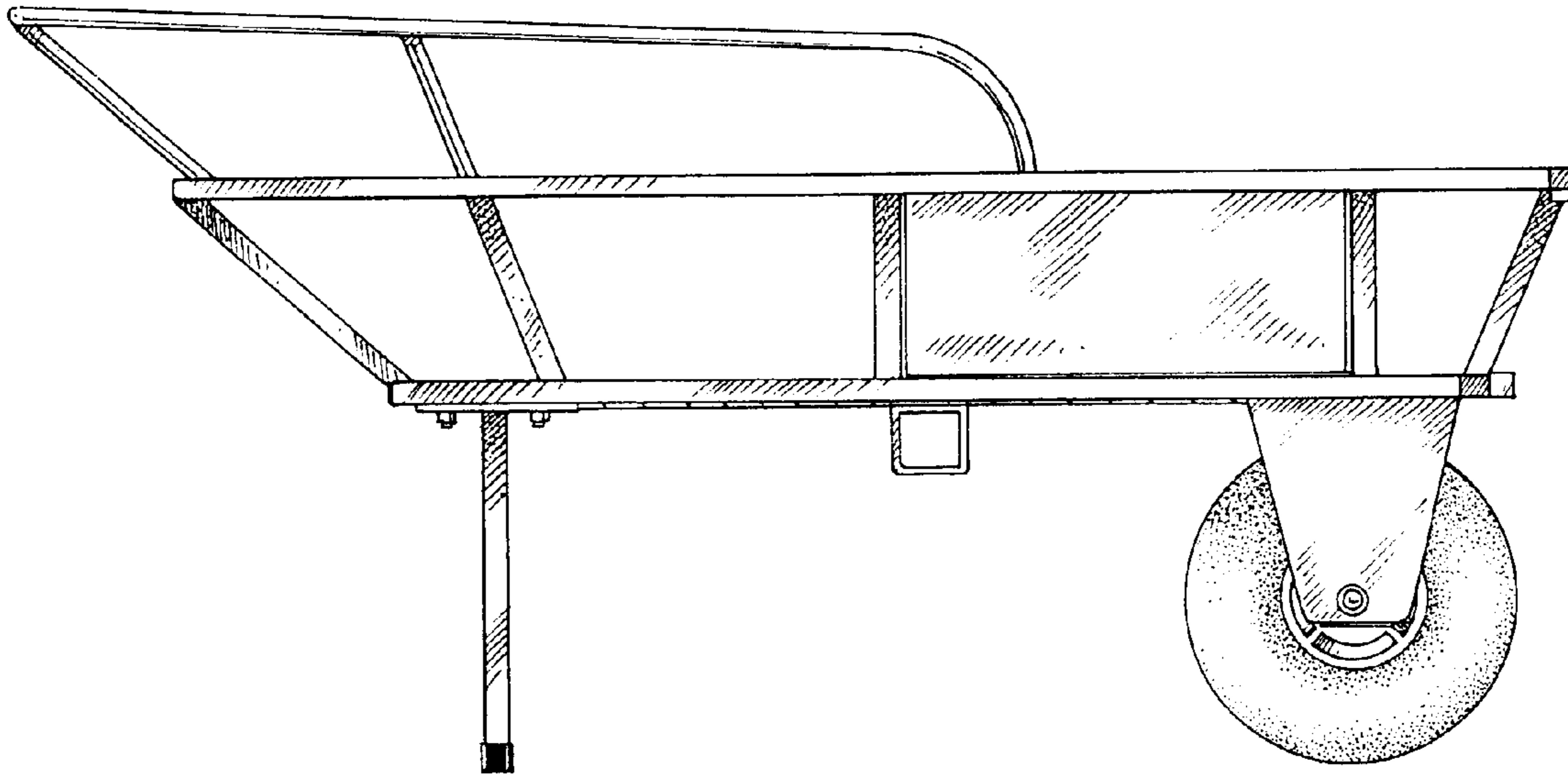


Fig. 4

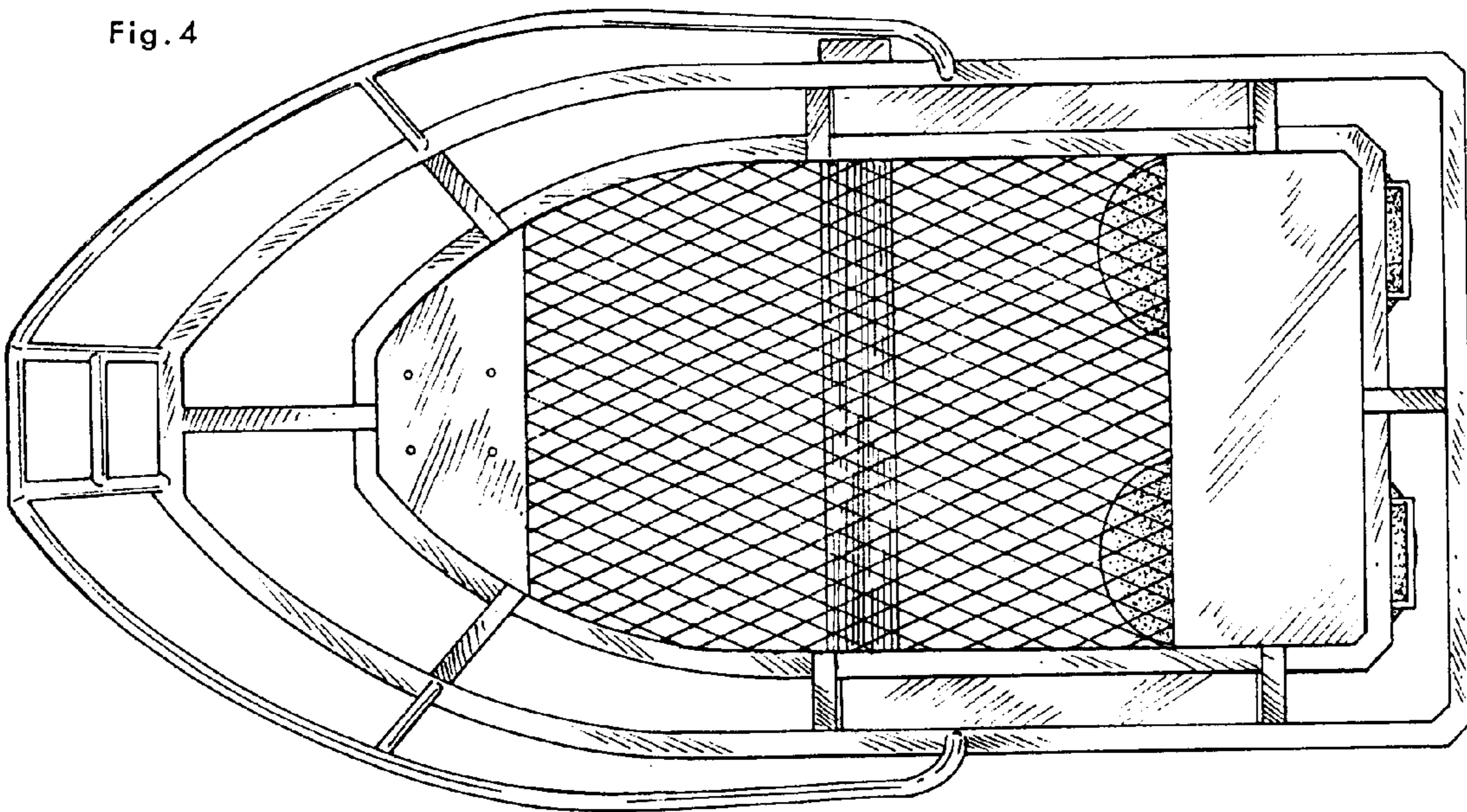


Fig.5

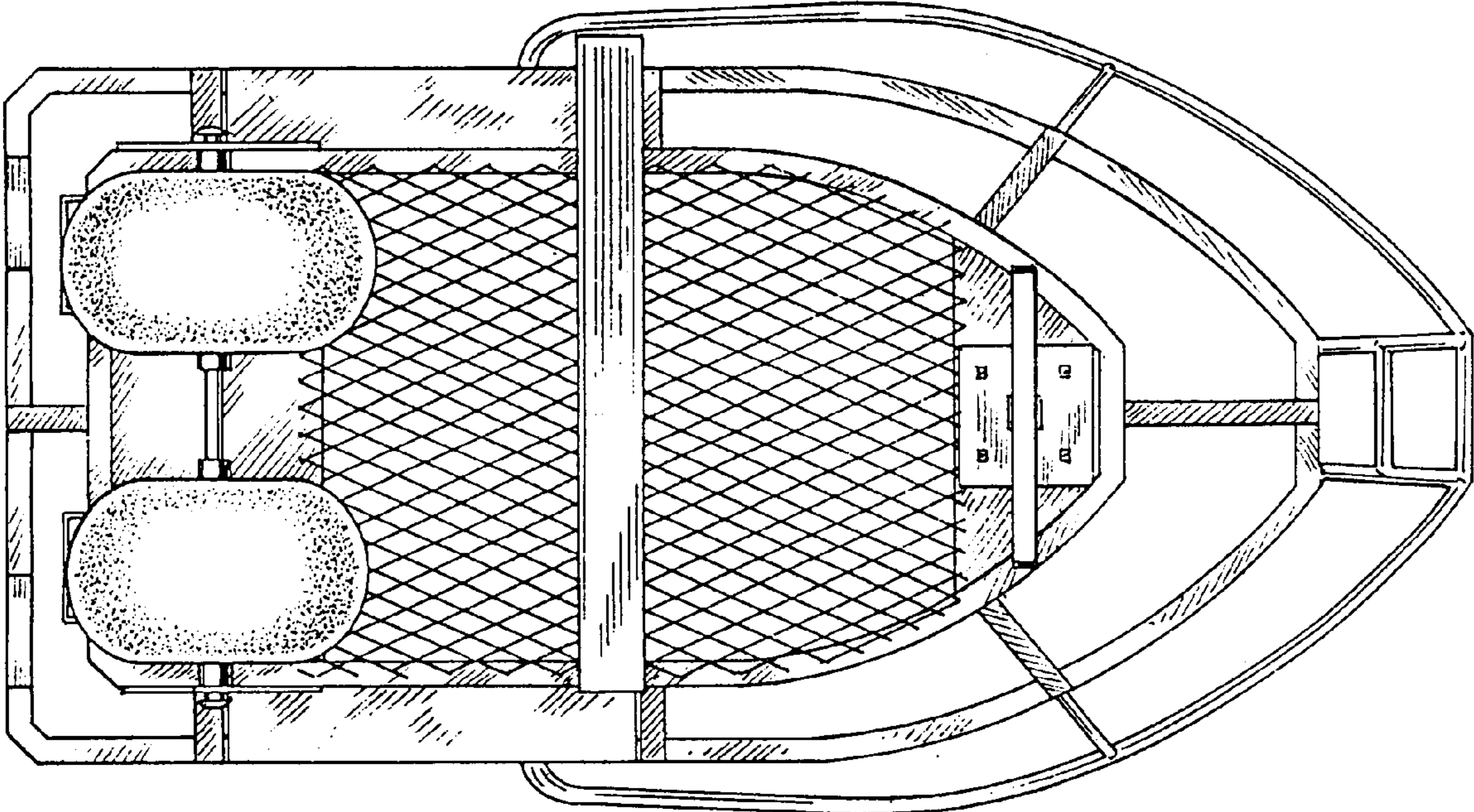


Fig. 6

