



US00D530053S

(12) **United States Design Patent**
Bothun et al.

(10) **Patent No.:** **US D530,053 S**
(45) **Date of Patent:** **** Oct. 10, 2006**

(54) **MODULAR STORAGE UNIT**

(75) Inventors: **Richard A. Bothun**, Owatonna, MN (US); **Frederick A. Mather**, Owatonna, MN (US); **Marty L. Prins**, Owatonna, MN (US); **Craig J. Ulrich**, Owatonna, MN (US); **Michael D. Jines**, Northfield, MN (US); **Gregg S. Nelson**, Northfield, MN (US); **Mark E. Gallea**, Waseca, MN (US)

(73) Assignee: **Wenger Corporation**, Owatonna, MN (US)

(**) Term: **14 Years**

(21) Appl. No.: **29/217,446**

(22) Filed: **Nov. 17, 2004**

(51) **LOC (8) Cl.** **12-02**

(52) **U.S. Cl.** **D34/17**

(58) **Field of Classification Search** D34/12-27;
312/201, 198, 199, 200, 240; 104/242, 248;
211/162, 62, 13.1, 70.2; 280/79.11, 47.18,
280/47.34, 47.35; D6/447, 552, 396, 449,
D6/462, 463, 465, 466, 467; 108/59
See application file for complete search history.

(56) **References Cited**

U.S. PATENT DOCUMENTS

1,033,630	A	7/1912	Sowers	
1,216,444	A *	2/1917	Hannold	211/62
2,166,704	A	7/1939	Foulkes	
2,336,686	A	12/1943	Hudash	
2,604,334	A *	7/1952	Schultz	280/47.35
2,772,639	A	12/1956	Ingold	
2,896,549	A *	7/1959	Swanson	104/135
2,904,383	A	7/1959	Potts	
2,915,195	A	12/1959	Crosby	
2,987,200	A	6/1961	Ingold	
3,080,204	A	3/1963	Lindhgren	
3,145,031	A	8/1964	Wilkinson	
3,188,977	A	6/1965	Viktorsson	
3,198,592	A	8/1965	Zippel	

3,286,651	A	11/1966	Dahl, Jr.	
3,407,959	A *	10/1968	Mondineu	220/6
3,427,085	A	2/1969	Staller	
3,540,614	A *	11/1970	Flagg	220/4.28
3,563,180	A	2/1971	Rutledge	
3,563,400	A	2/1971	Greaves	

(Continued)

OTHER PUBLICATIONS

Case Study, Spacesaver Corporation, SC 9889, Aug. 1998, 2 pages.

Case Study, Spacesaver Corporation, SC 9889A, Aug. 1998, 1 page.

Spacesaver Corporation Advertisement, undated, 1 page.

Primary Examiner—Freda Nunn

Assistant Examiner—Kevin K. Rudzinski

(74) *Attorney, Agent, or Firm*—Patterson, Thunte, Skaar & Christensen, P.A.

(57) **CLAIM**

We claim the ornamental design for modular storage unit, as shown and described.

DESCRIPTION

FIG. 1 is a front left perspective view of a modular storage unit according to an embodiment of the invention. The right side is a mirror image of the left side.

FIG. 2 is a front side elevational view of a modular storage unit according to an embodiment of the invention.

FIG. 3 is a rear side elevational view of modular storage unit according to an embodiment of the invention.

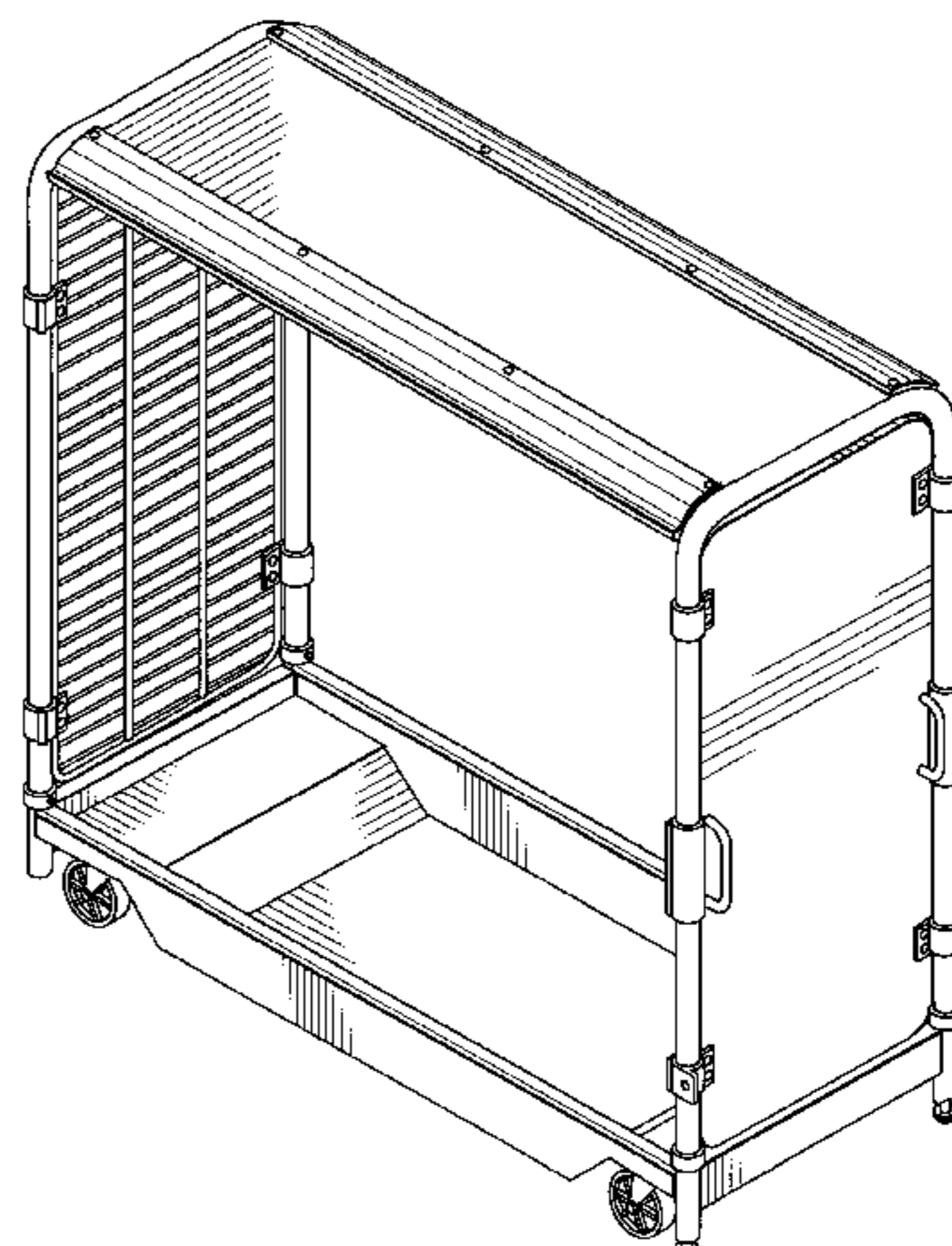
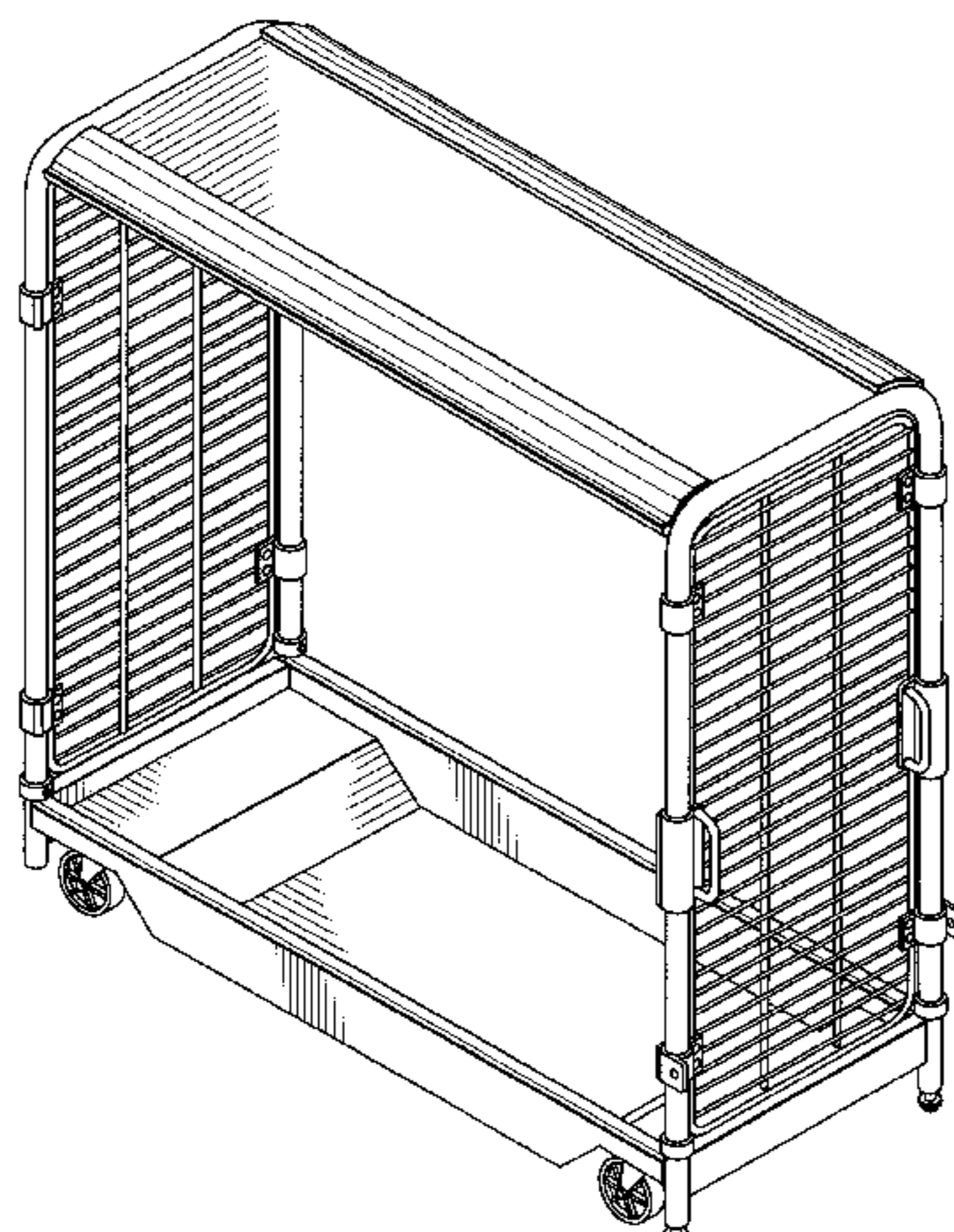
FIG. 4 is a left side elevational view of a modular storage unit according to an embodiment of the invention. The right side is a mirror image of the left side.

FIG. 5 is a top view of a modular storage unit according to an embodiment of the invention.

FIG. 6 is a bottom view of a modular storage unit according to an embodiment of the invention; and,

FIG. 7 is a front left perspective view of a modular storage unit according to an embodiment of the invention. The right side is a mirror image of the left side.

1 Claim, 5 Drawing Sheets



US D530,053 S

Page 2

U.S. PATENT DOCUMENTS

3,566,802	A	3/1971	Lundgvist	5,303,828	A	4/1994	Paullin
3,575,479	A	4/1971	Kombuchen	D353,285	S	12/1994	Spirk, Jr. et al.
3,589,522	A	6/1971	Chiodo	5,377,849	A	1/1995	Martin
3,640,595	A	2/1972	Staller et al.	5,439,281	A	8/1995	Croker
3,650,407	A	3/1972	Benham, Jr.	5,454,441	A	10/1995	Jines
3,724,389	A	4/1973	Greaves	D365,716	S	1/1996	Rose, Sr.
3,801,176	A	4/1974	Higbee	D374,363	S	10/1996	Puzo
3,802,573	A	4/1974	Davis et al.	5,651,469	A	7/1997	Lodge
3,829,189	A	8/1974	Staller	5,657,883	A	8/1997	Badia
3,861,702	A	* 1/1975	Wilson 280/33.996	5,680,942	A	10/1997	McAllister et al.
3,865,446	A	2/1975	Mastronardi	5,683,155	A	11/1997	Sarno
3,869,137	A	3/1975	Byrom	5,685,440	A	11/1997	Mason
3,876,223	A	4/1975	O'Reilly et al.	5,690,235	A	11/1997	Matzen
3,880,336	A	4/1975	Demasson	D392,486	S	3/1998	Hsia
3,890,903	A	6/1975	Showell	D393,553	S	* 4/1998	Beggs D6/476
3,923,354	A	12/1975	Young	D394,926	S	6/1998	Lindsay
3,944,309	A	3/1976	Taniwaki	5,788,070	A	8/1998	Banker
3,957,323	A	5/1976	Tucker et al.	5,797,612	A	8/1998	Buccioni
3,967,868	A	7/1976	Baker, Jr.	D398,460	S	* 9/1998	Gerstner D6/463
4,017,131	A	4/1977	Camenisch	D398,469	S	9/1998	Leong et al.
4,023,818	A	* 5/1977	Troller 280/79.11	D401,458	S	11/1998	Hsia
4,033,649	A	7/1977	Naito et al.	5,848,716	A	12/1998	Waranius
4,084,125	A	4/1978	King	5,862,924	A	1/1999	Dumont
4,126,327	A	11/1978	Taber	5,871,105	A	2/1999	Whitehead et al.
4,227,710	A	10/1980	Laub	6,027,190	A	2/2000	Stewart et al.
4,256,355	A	3/1981	Yamaguchi et al.	D421,866	S	3/2000	Long
4,307,922	A	12/1981	Rhodes, Jr.	D425,723	S	* 5/2000	Hurt D6/400
4,344,660	A	8/1982	Molnar et al.	6,073,783	A	6/2000	Allman
4,372,514	A	2/1983	Glumac	D429,094	S	8/2000	Solowiej
4,412,772	A	11/1983	Naito et al.	6,112,917	A	9/2000	Baker et al.
4,417,524	A	11/1983	Quinn et al.	6,161,485	A	12/2000	Muth
4,418,930	A	12/1983	Ryan, Jr.	6,164,465	A	12/2000	Schroeder
4,421,365	A	12/1983	Taniwaki	6,216,887	B1	4/2001	Soo
4,422,816	A	12/1983	Naito et al.	6,231,138	B1	5/2001	Janson
4,432,589	A	2/1984	Sattel	6,241,106	B1	6/2001	Fujita et al.
4,441,617	A	4/1984	Forsberg	6,247,769	B1	6/2001	Spitzer et al.
4,462,500	A	7/1984	Konstant et al.	6,371,031	B1	4/2002	Muth
4,467,924	A	8/1984	Morcheles	6,394,267	B1	* 5/2002	Craig 206/321
4,557,534	A	12/1985	Dahnert	D459,931	S	7/2002	Mahoney
4,561,547	A	12/1985	Estwanik, III	D460,652	S	7/2002	Mahoney
4,583,647	A	4/1986	Schinzing	6,431,627	B1	8/2002	Tomeny
4,597,615	A	7/1986	Steger	6,460,950	B1	10/2002	Spitzer et al.
4,627,544	A	12/1986	Scarpa et al.	6,547,085	B1	4/2003	Belisle
4,629,065	A	12/1986	Braaten	D476,183	S	6/2003	Bennett
D289,479	S	* 4/1987	Brancher D6/511	6,591,994	B1	7/2003	Bearss
4,802,622	A	2/1989	Homan	D479,423	S	9/2003	Mahoney
4,807,765	A	2/1989	Brown et al.	6,644,213	B1	11/2003	Muth
4,936,467	A	6/1990	Bobeczco	6,669,314	B1	12/2003	Nemec et al.
4,941,578	A	7/1990	Devening	6,688,708	B1	2/2004	Janson
5,054,625	A	10/1991	Foley	6,752,278	B1	6/2004	Craft et al.
5,085,327	A	2/1992	Mercer, Jr. et al.	D499,921	S	* 12/2004	Moon et al. D6/552
5,160,189	A	11/1992	Johnston et al.				

* cited by examiner

Fig. 1

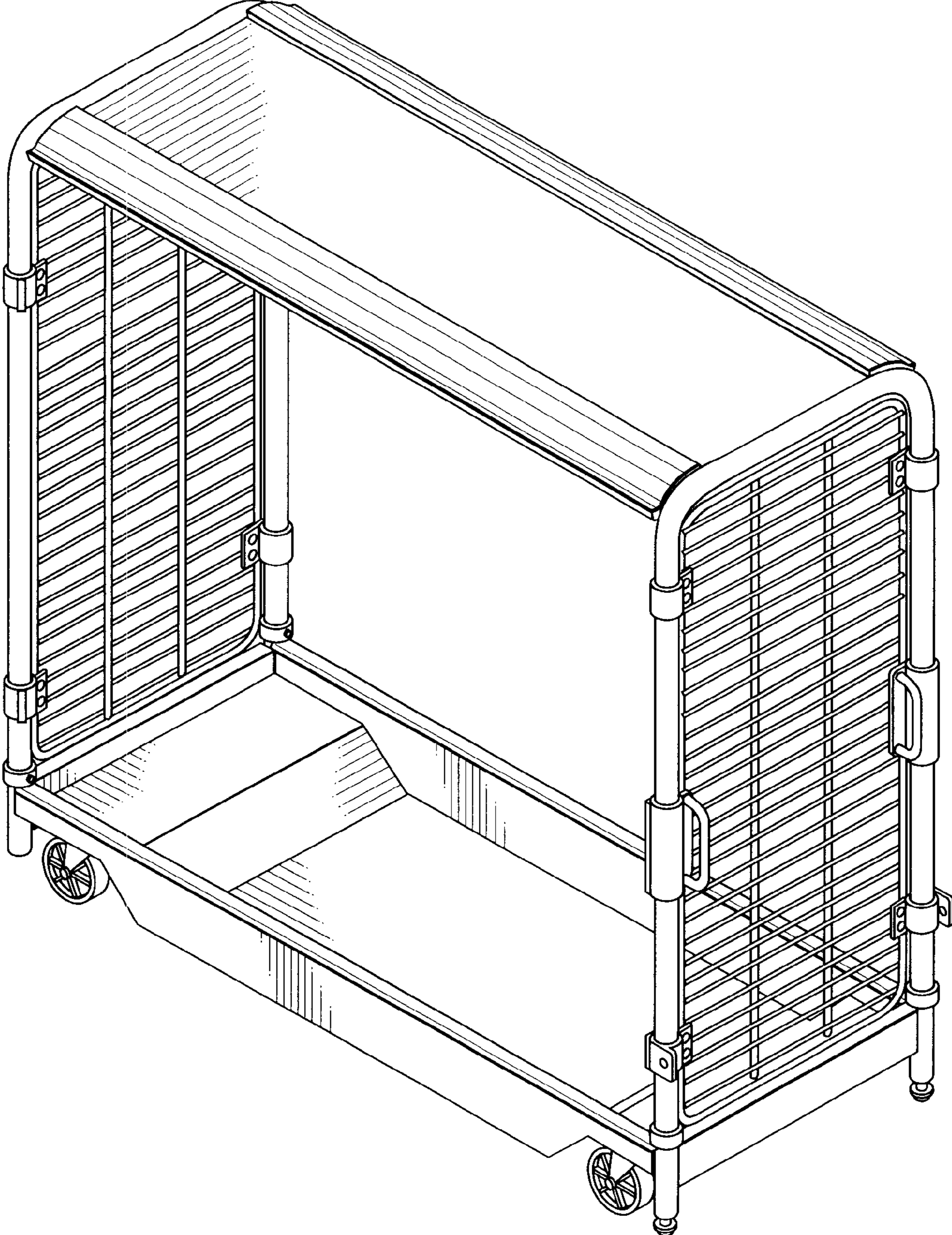


Fig. 2

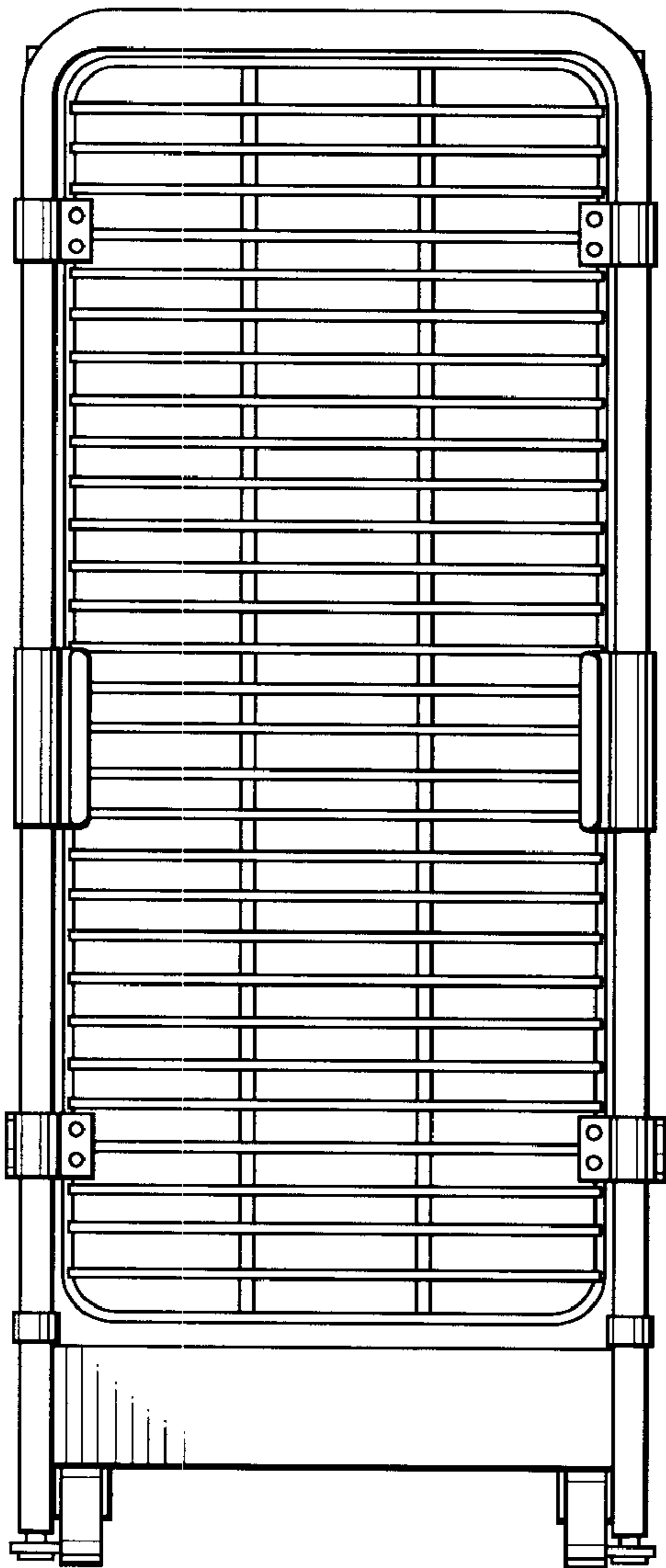


Fig. 3

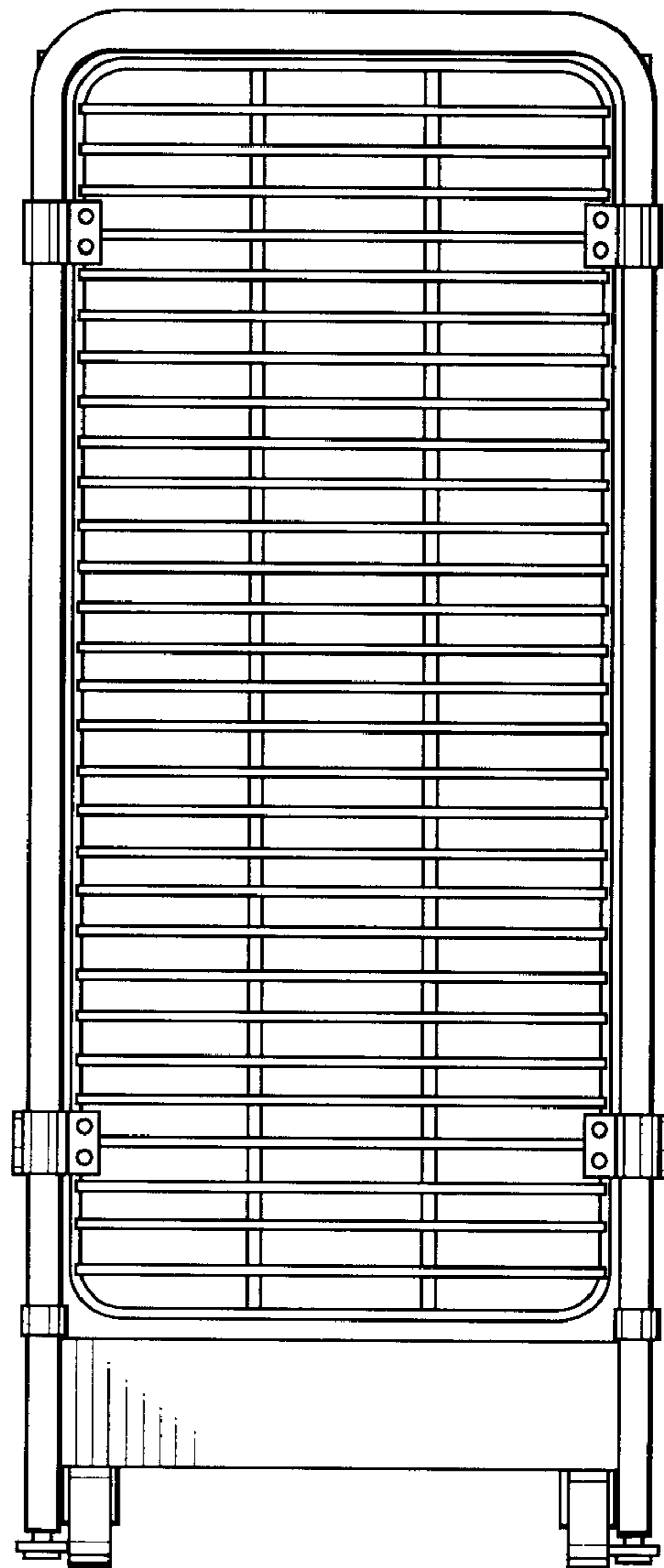


Fig. 4

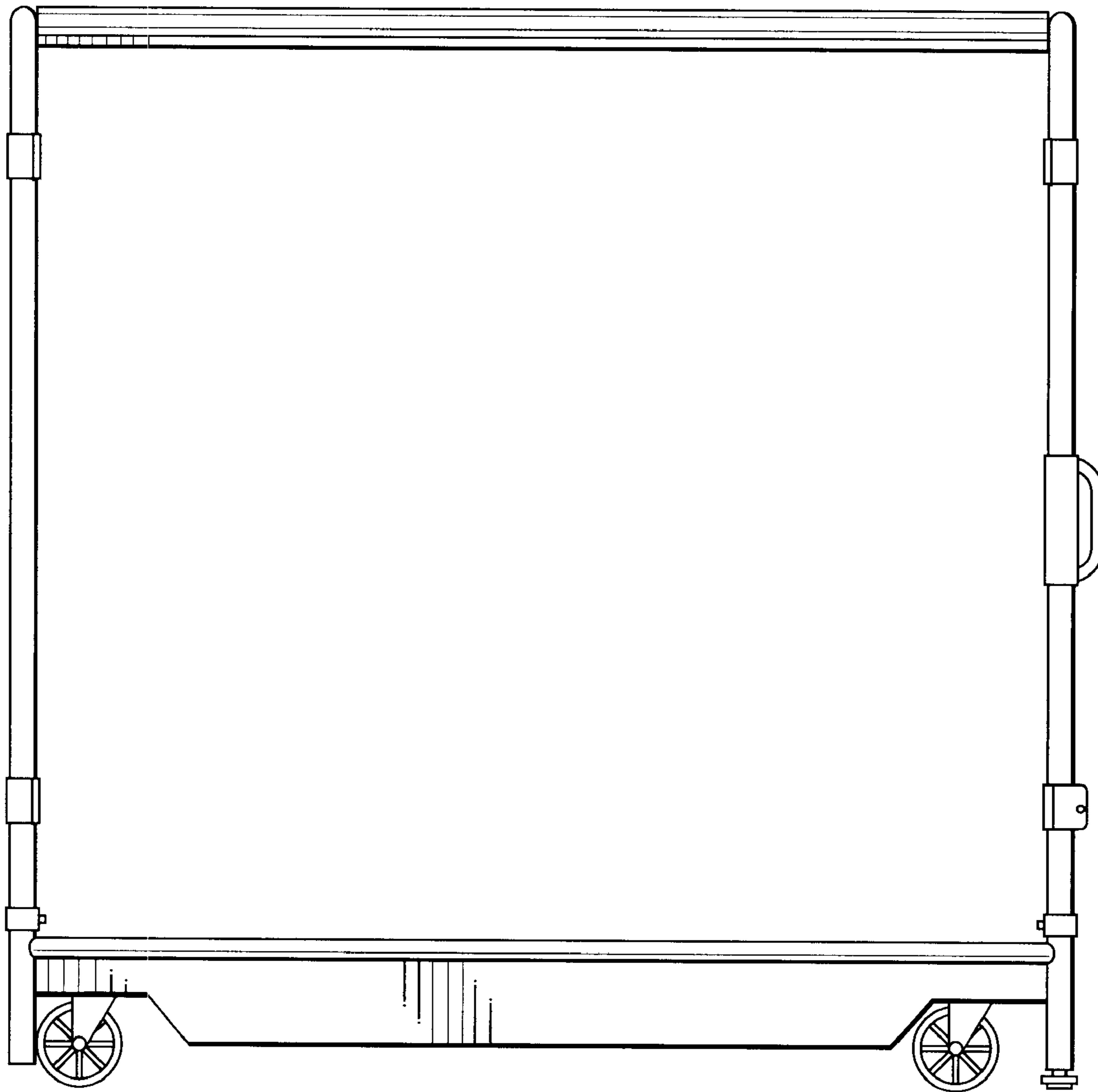


Fig. 5

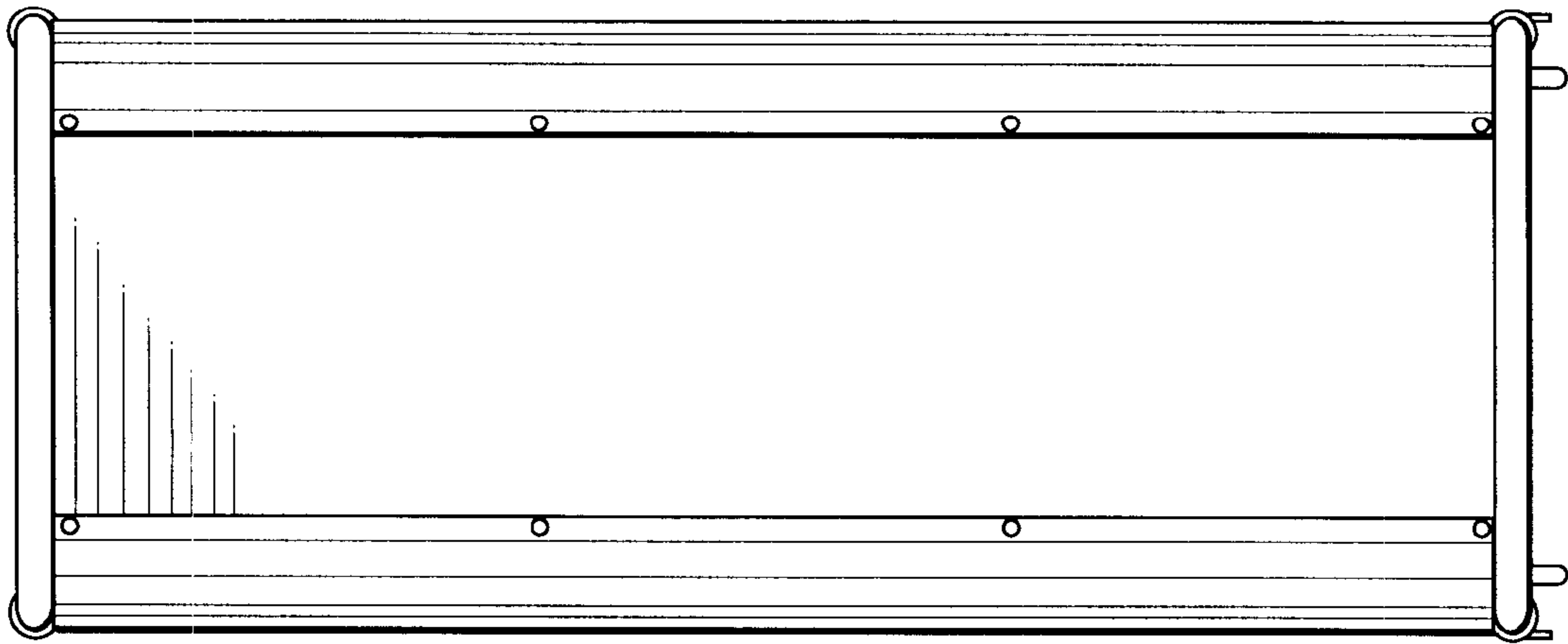


Fig. 6

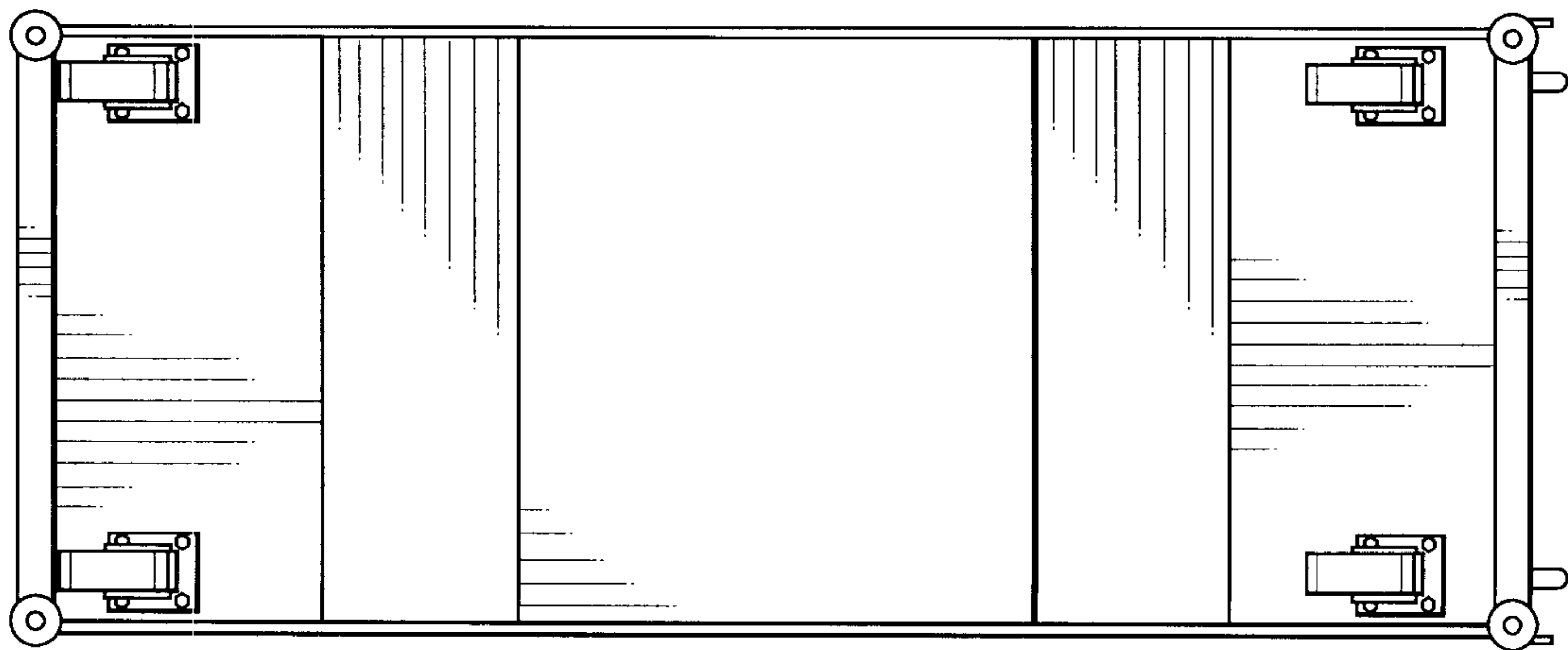


Fig. 7

