

US00D530052S

(12) **United States Design Patent**
Berti

(10) **Patent No.:** **US D530,052 S**

(45) **Date of Patent:** **** Oct. 10, 2006**

(54) **HANDLE FOR A BUCKET**

(75) Inventor: **Enzo Berti**, Dolo (IT)

(73) Assignee: **The Libman Company**, Arcola, IL
(US)

(**) Term: **14 Years**

(21) Appl. No.: **29/244,915**

(22) Filed: **Dec. 15, 2005**

(51) **LOC (8) Cl.** **07-07**

(52) **U.S. Cl.** **D32/53; D8/107**

(58) **Field of Classification Search** D32/53,
D32/53.1, 54; D8/107; D3/246, 324; 220/764,
220/755, 760, 773, 762, 752, 759, 768, 719;
16/425-426, 114.1, 436

See application file for complete search history.

(56) **References Cited**

U.S. PATENT DOCUMENTS

- 1,634,284 A * 7/1927 Dunzweiler et al. 220/773
- 4,127,915 A * 12/1978 Logan et al. 294/33
- 5,054,638 A * 10/1991 Rose 220/759
- 5,445,425 A * 8/1995 Lyver 294/31.2

- 6,000,097 A * 12/1999 Russell 16/114.1
- 6,473,939 B1 * 11/2002 Stegmaier 16/436
- 6,494,341 B1 * 12/2002 Perkins et al. 220/764
- 6,944,911 B1 * 9/2005 Knoblauch 16/114.1

* cited by examiner

Primary Examiner—Pamela J. Burgess

(74) *Attorney, Agent, or Firm*—Banner & Witcoff. Ltd.

(57) **CLAIM**

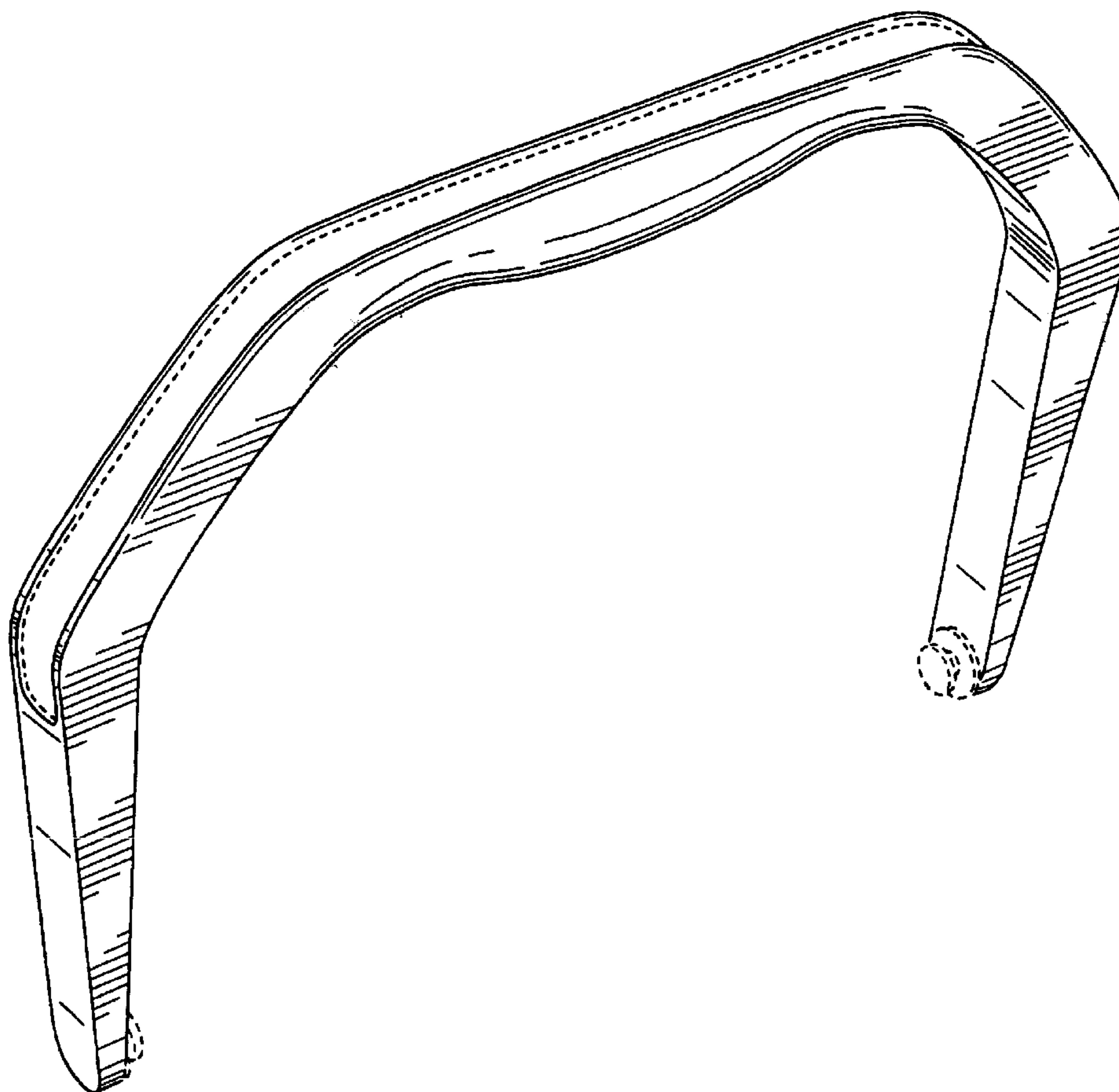
An ornamental design for a handle for a bucket, as shown and described.

DESCRIPTION

FIG. 1 is a front perspective view showing my new design of a handle for a bucket;
 FIG. 2 is a front view thereof;
 FIG. 3 is a left side view thereof, the right side being a mirror image thereof;
 FIG. 4 is a top view thereof;
 FIG. 5 is a bottom view thereof; and,
 FIG. 6 is a front perspective view showing my new design of the handle on a bucket.

The broken line showing in FIGS. 1-6 is for illustrative purposes only and forms no part of the claimed design.

1 Claim, 5 Drawing Sheets



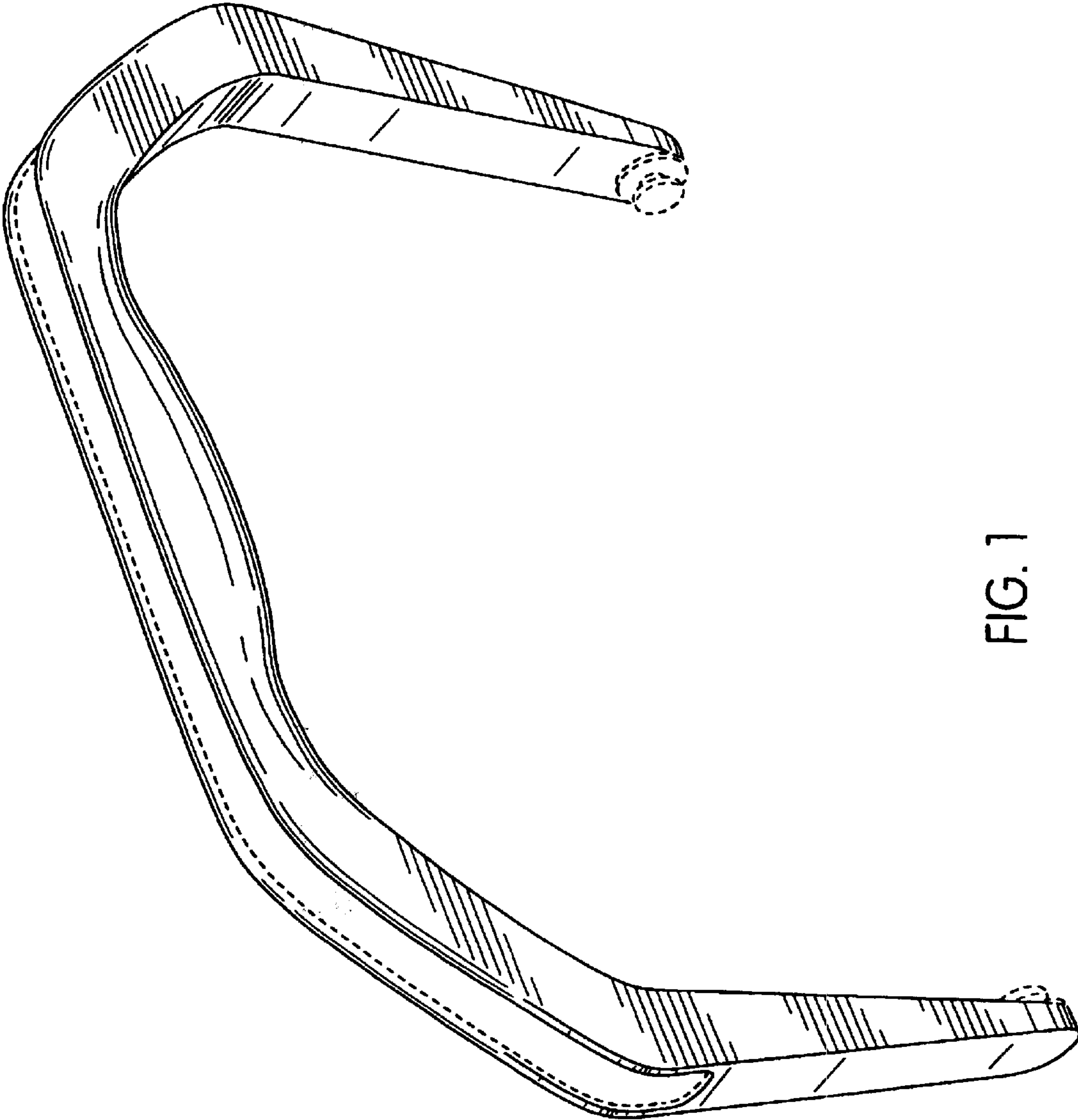


FIG. 1

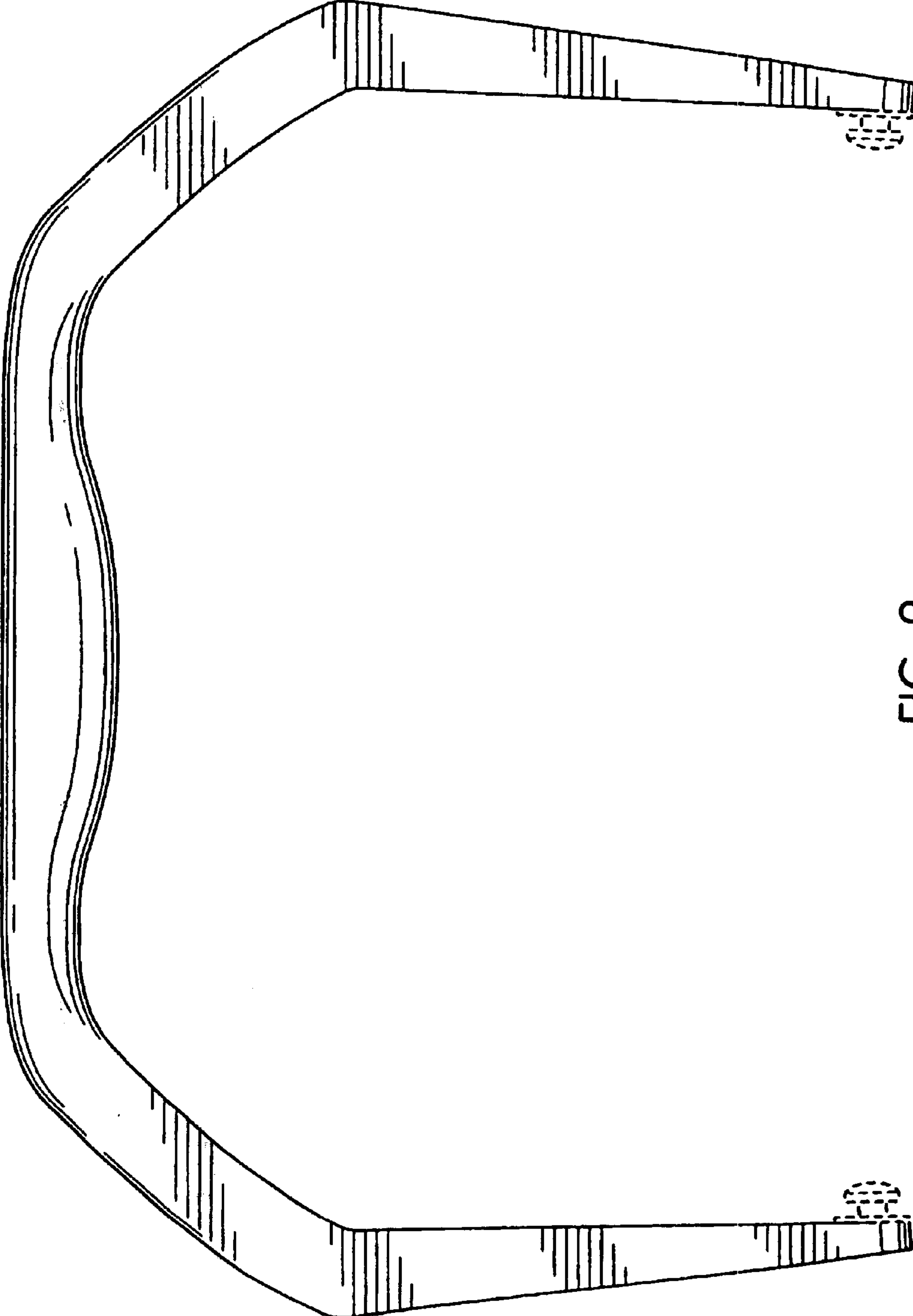


FIG. 2

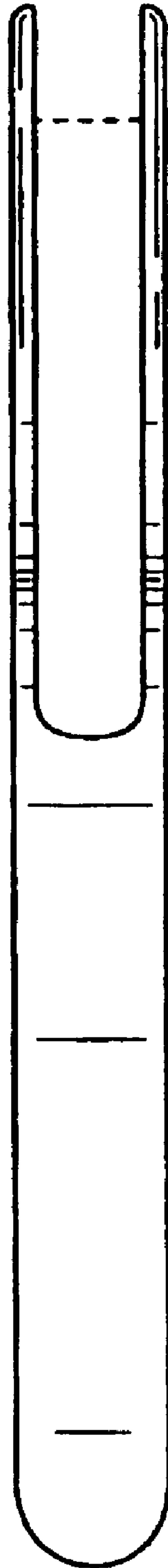


FIG. 3

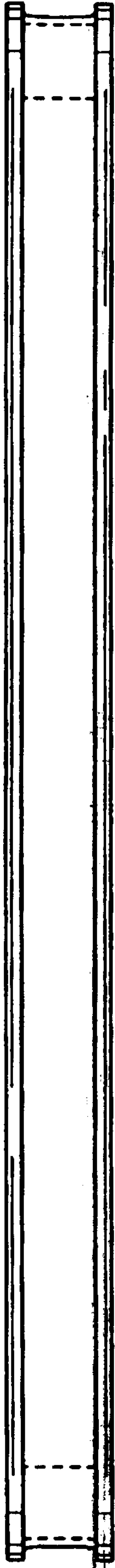


FIG. 4

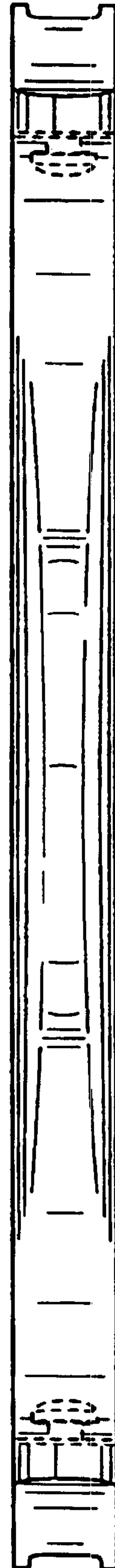


FIG. 5

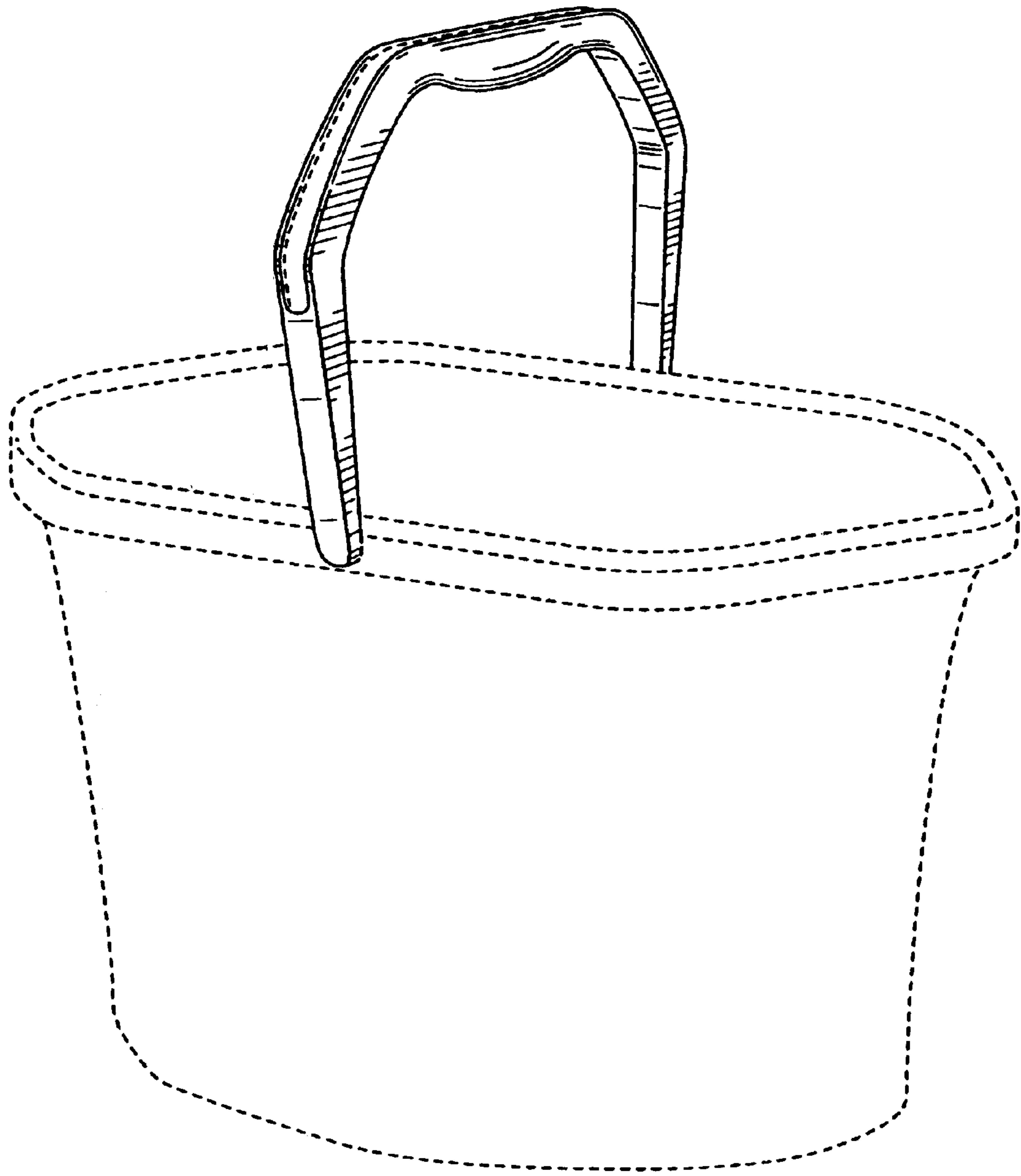


FIG. 6