



US00D530049S

(12) **United States Design Patent**
Berti

(10) **Patent No.:** **US D530,049 S**
(45) **Date of Patent:** **** Oct. 10, 2006**

(54) **SPONGE MOP HEAD**

(75) Inventor: **Enzo Berti**, Dolo (IT)

(73) Assignee: **The Libman Company**, Arcola, IL (US)

(**) Term: **14 Years**

(21) Appl. No.: **29/201,470**

(22) Filed: **Mar. 16, 2004**

(51) **LOC (8) Cl.** **04-01**

(52) **U.S. Cl.** **D32/44; D32/50**

(58) **Field of Classification Search** D32/40,
D32/44, 50, 51; 15/116.1, 116.2, 119.1, 119.2,
15/147.1, 147.2, 150, 228

See application file for complete search history.

(56) **References Cited**

U.S. PATENT DOCUMENTS

2,701,888 A	2/1955	Vosbikian et al.
2,730,741 A	1/1956	Gantz
2,730,742 A	1/1956	Zottola
2,730,743 A	1/1956	Zottola
2,864,107 A	12/1958	Greenleaf
2,883,689 A	4/1959	Vosbikian et al.
2,895,152 A	7/1959	Vosbikian et al.
2,916,754 A	12/1959	Zottola
2,967,317 A	1/1961	Richards
3,147,502 A	9/1964	Richards
4,312,092 A	1/1982	Lundgren
4,468,830 A	9/1984	Batchelor
D287,173 S	12/1986	Libman
D351,267 S	10/1994	Libman
5,371,917 A	* 12/1994	Hoagland 15/244.1

5,488,750 A	2/1996	Vosbikian et al.
D401,702 S	11/1998	Berti
5,979,004 A	* 11/1999	Wilson 15/119.2
D420,775 S	2/2000	Petner
RE36,635 E	4/2000	Vosbikian et al.
6,389,635 B1	5/2002	Petner et al.
D508,759 S	* 8/2005	Boyer et al. D32/50

* cited by examiner

Primary Examiner—Alan P. Douglas

Assistant Examiner—Lavone D. Tabor

(74) *Attorney, Agent, or Firm*—Banner & Witcoff, Ltd.

(57) **CLAIM**

The ornamental design for a sponge mop head, as shown and described.

DESCRIPTION

FIG. 1 is a perspective view of a sponge mop head showing my new design;

FIG. 2 is a front view thereof;

FIG. 3 is a rear view thereof;

FIG. 4 is a left side view thereof;

FIG. 5 is a right side view thereof;

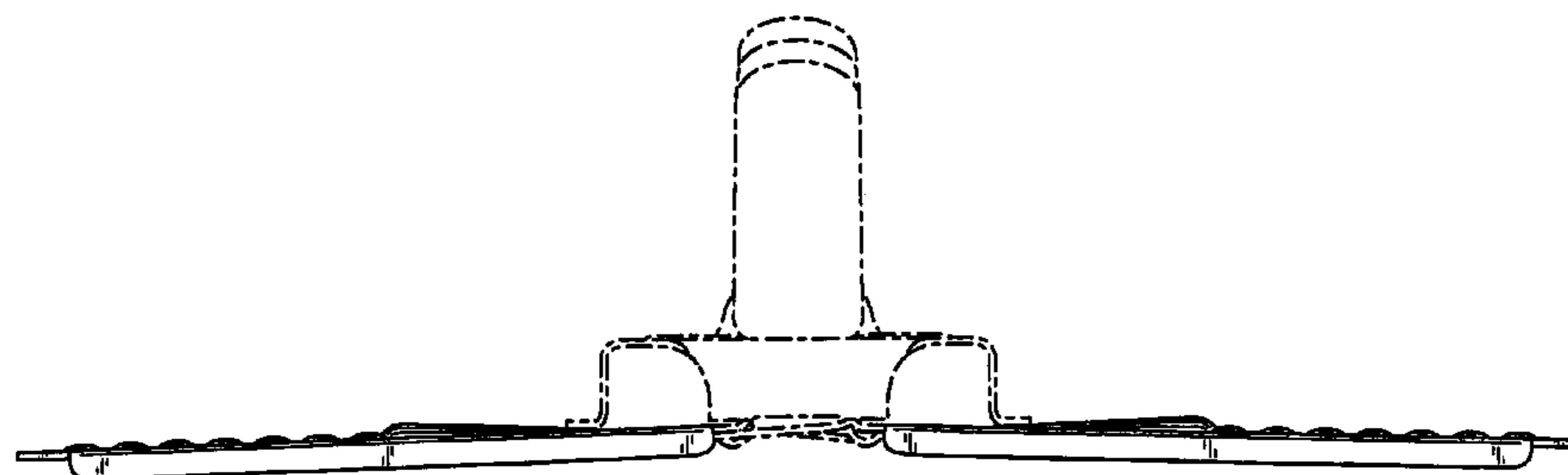
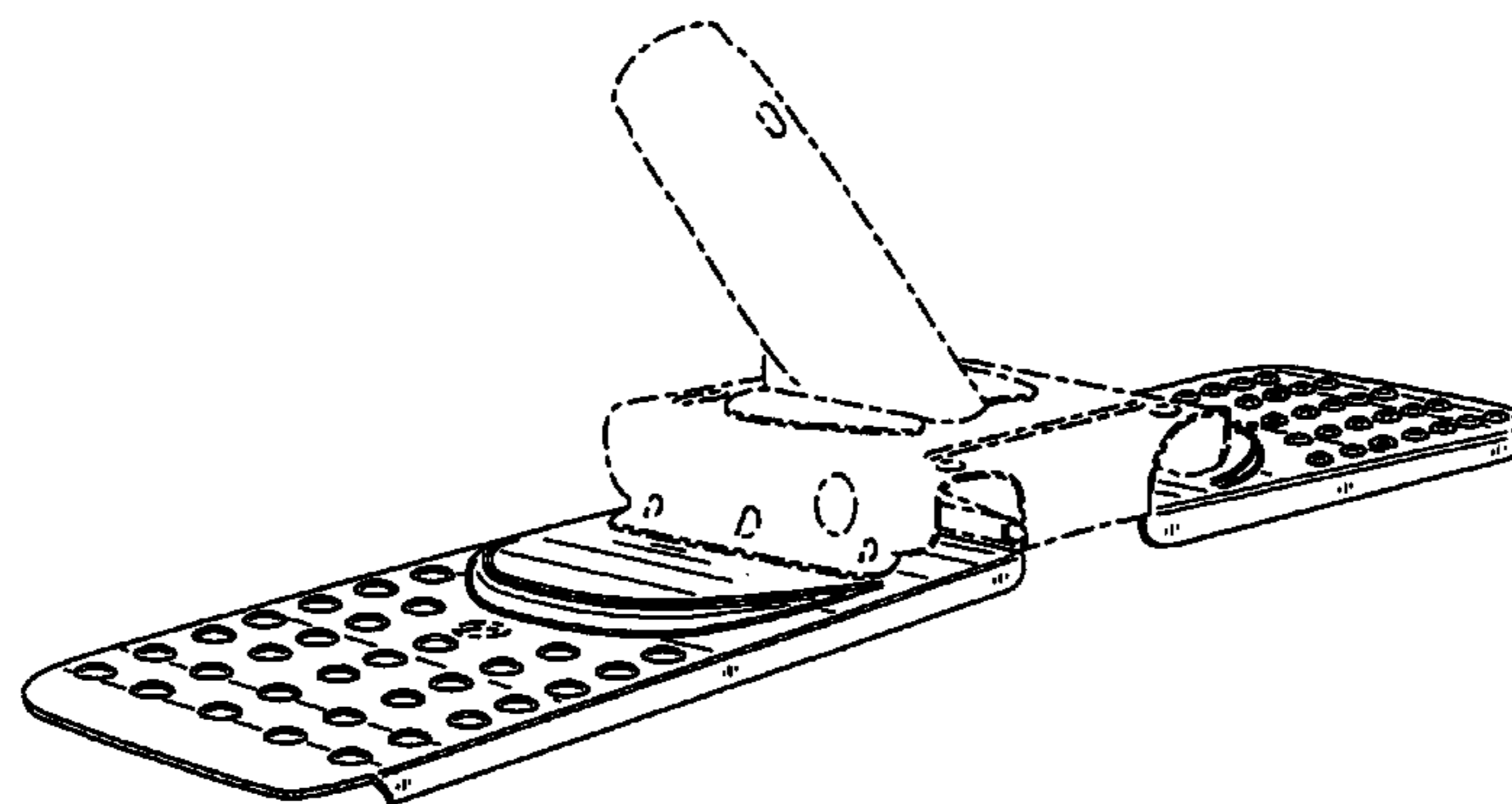
FIG. 6 is a top plan view thereof;

FIG. 7 is a top plan view thereof with the support base of the mop head removed to show the plates; and,

FIG. 8 is a perspective view of the sponge mop head of FIG. 1, the broken line showing of a portion of the sponge mop is for illustrating an environment of the design and forms no part of the claimed design.

The broken line showing of the support base of the mop head and holes in the plates in FIGS. 1–7 are for illustrative purposes only and form no part of the claimed design.

1 Claim, 7 Drawing Sheets



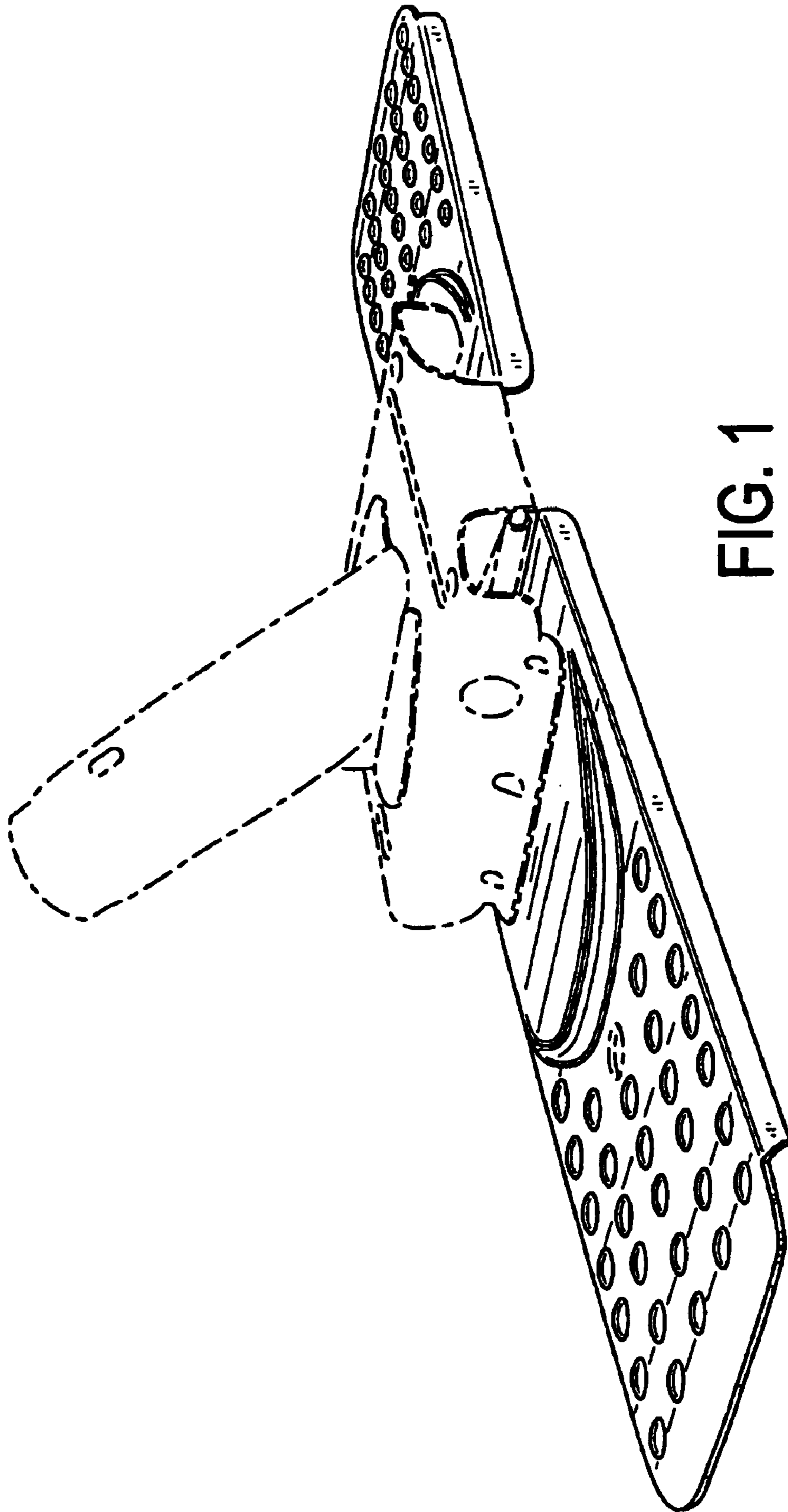


FIG. 1

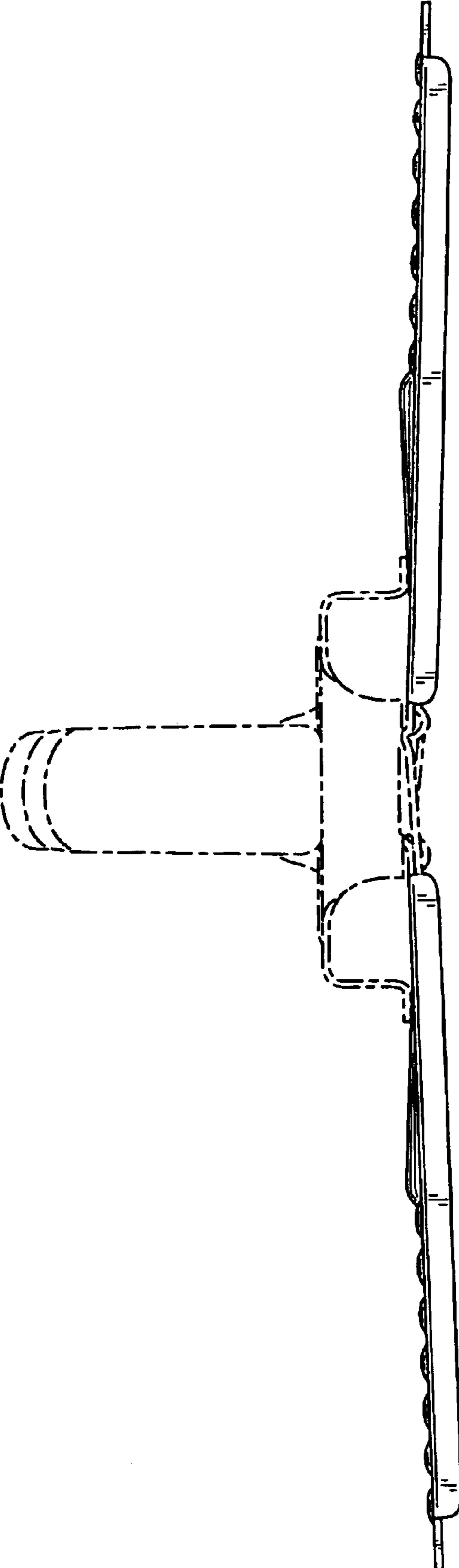


FIG. 2

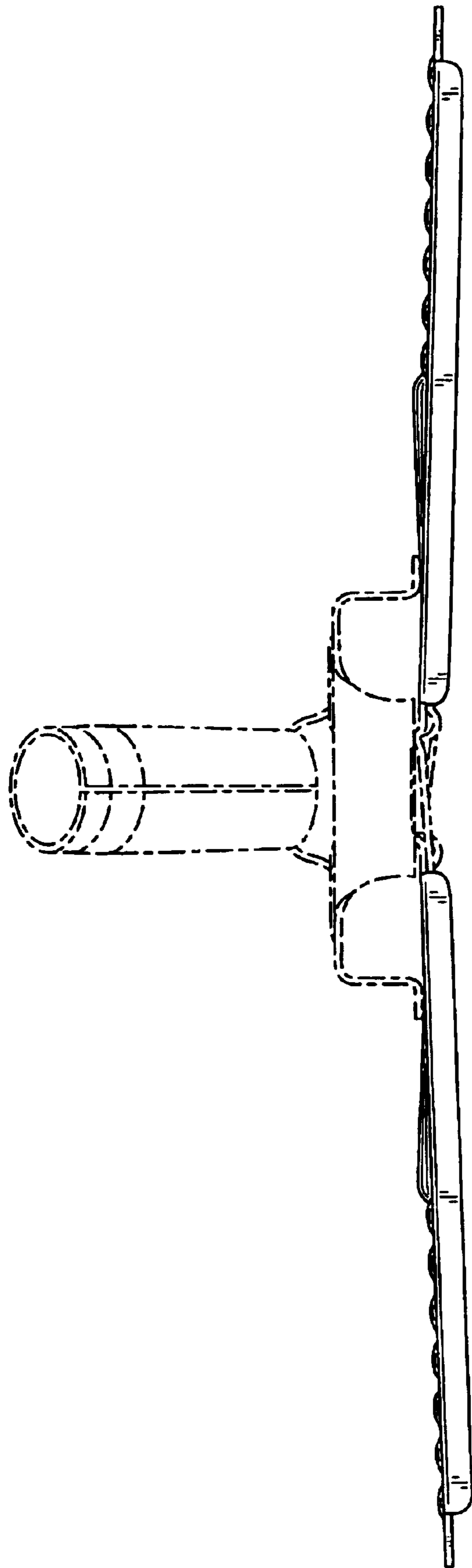


FIG. 3

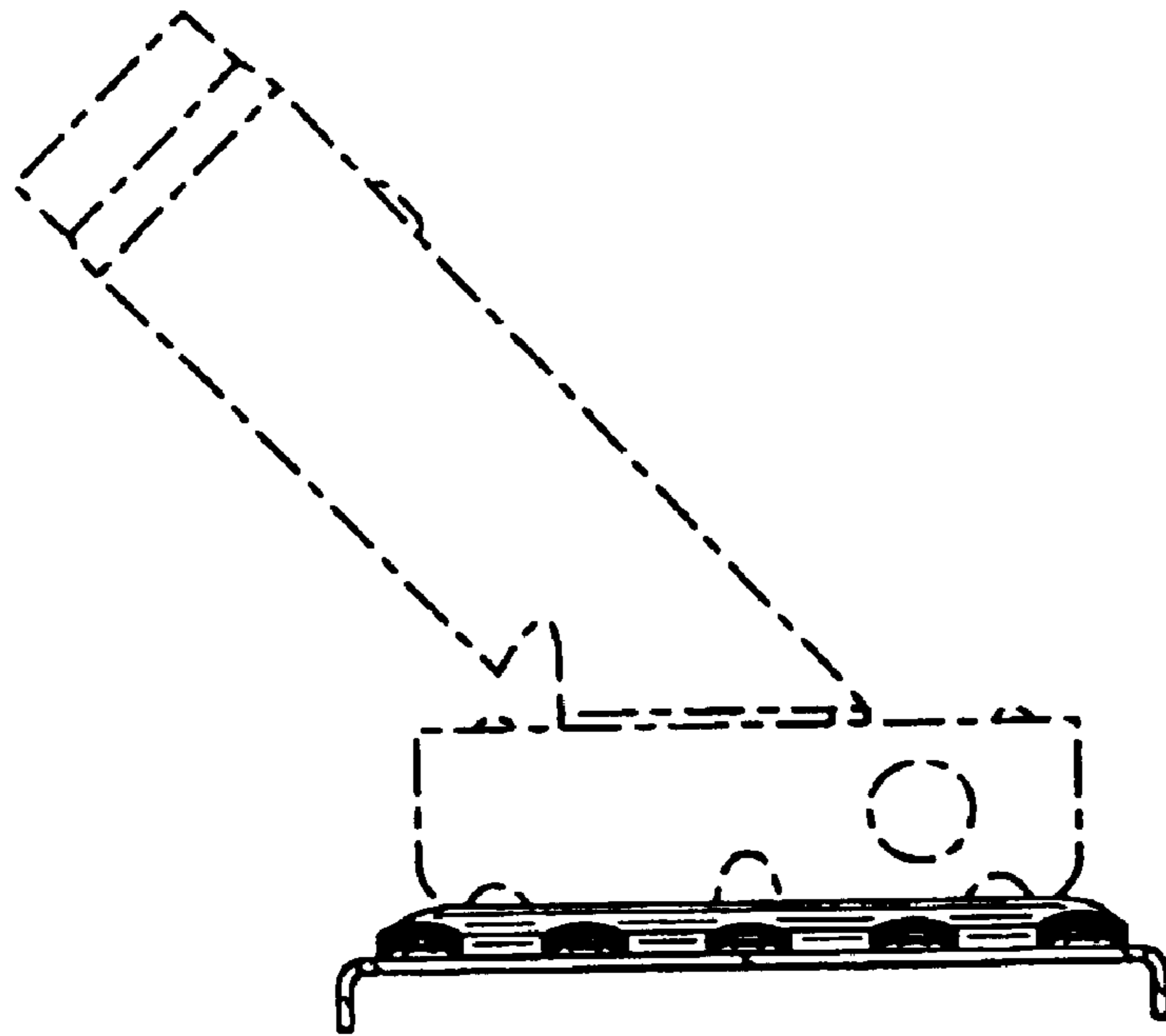


FIG. 4

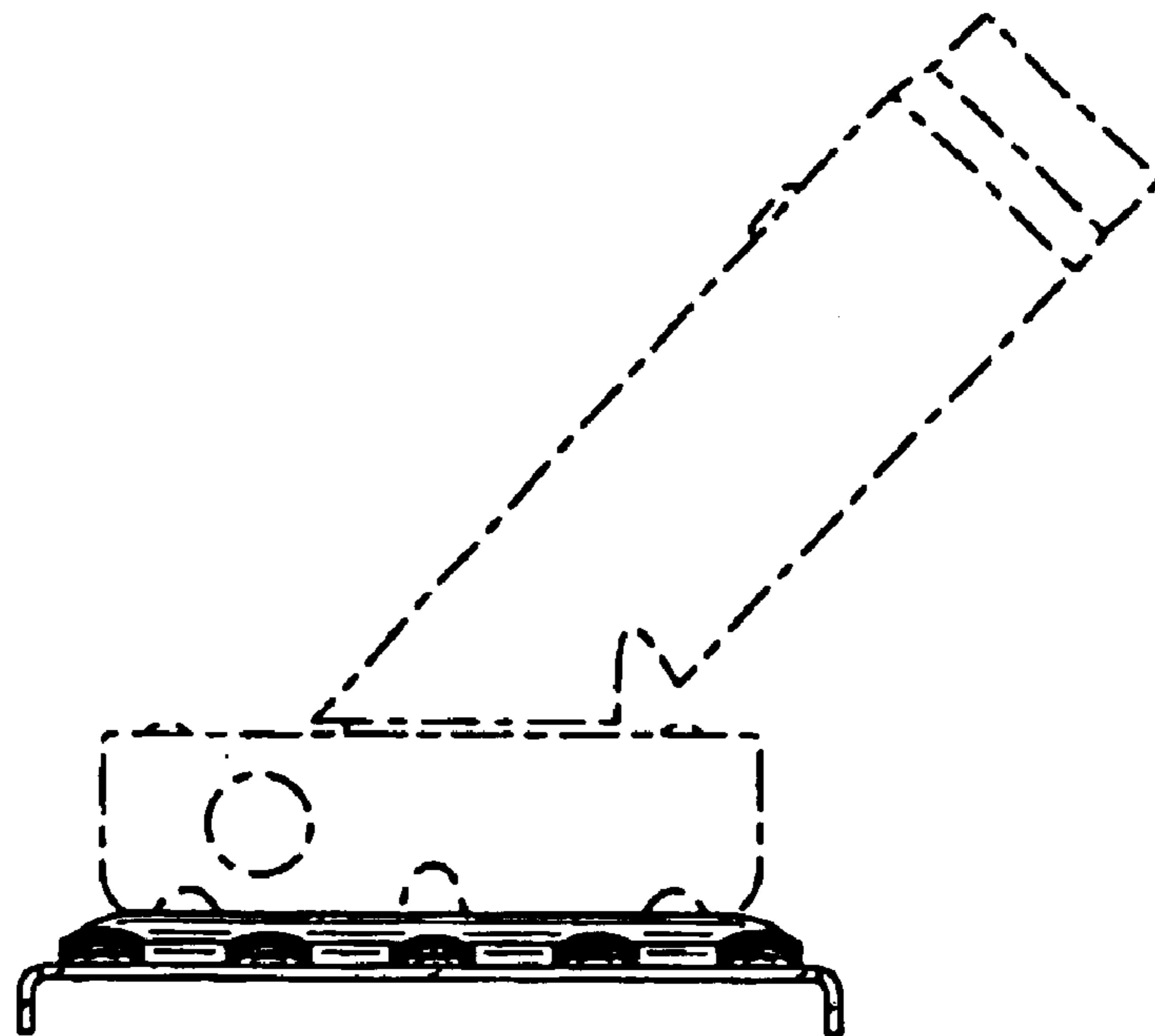


FIG. 5

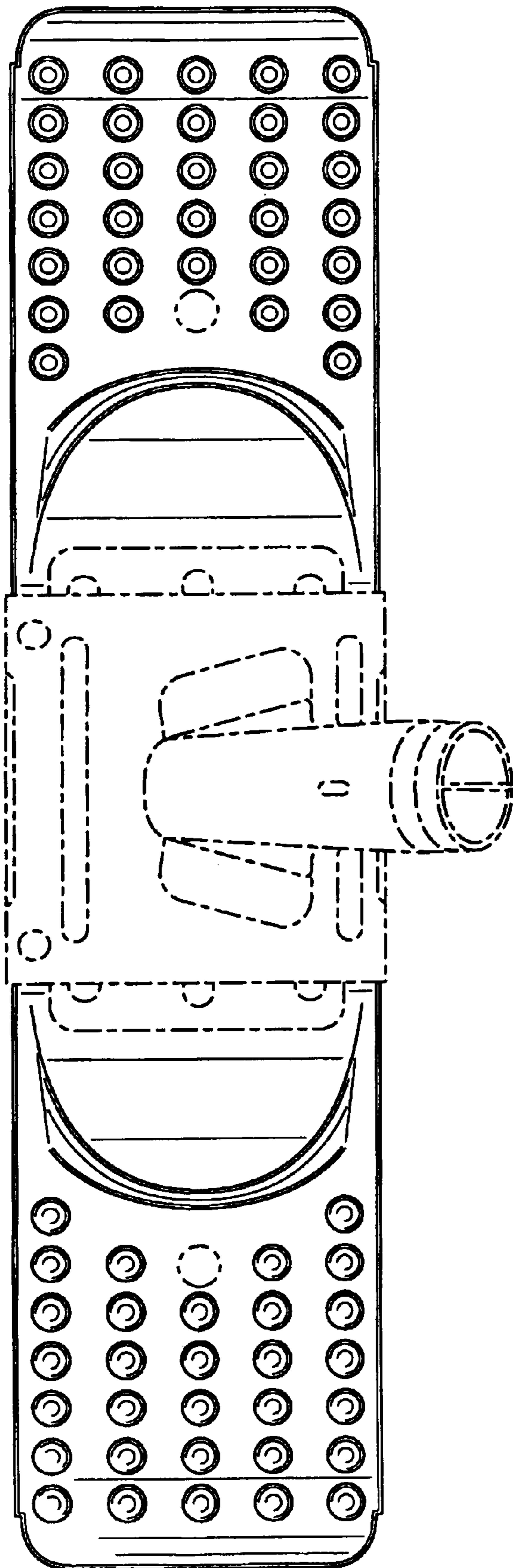


FIG. 6

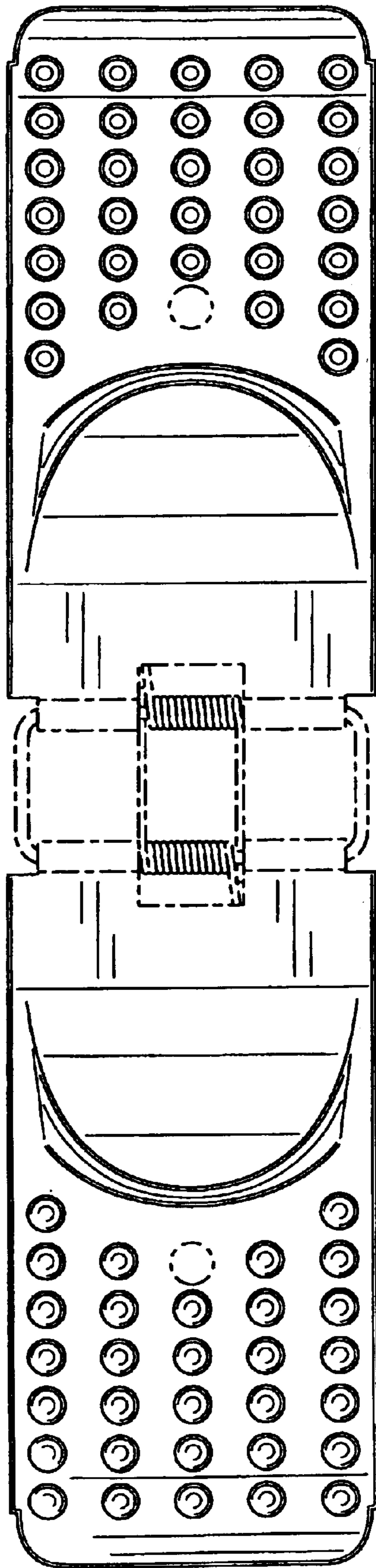


FIG. 7

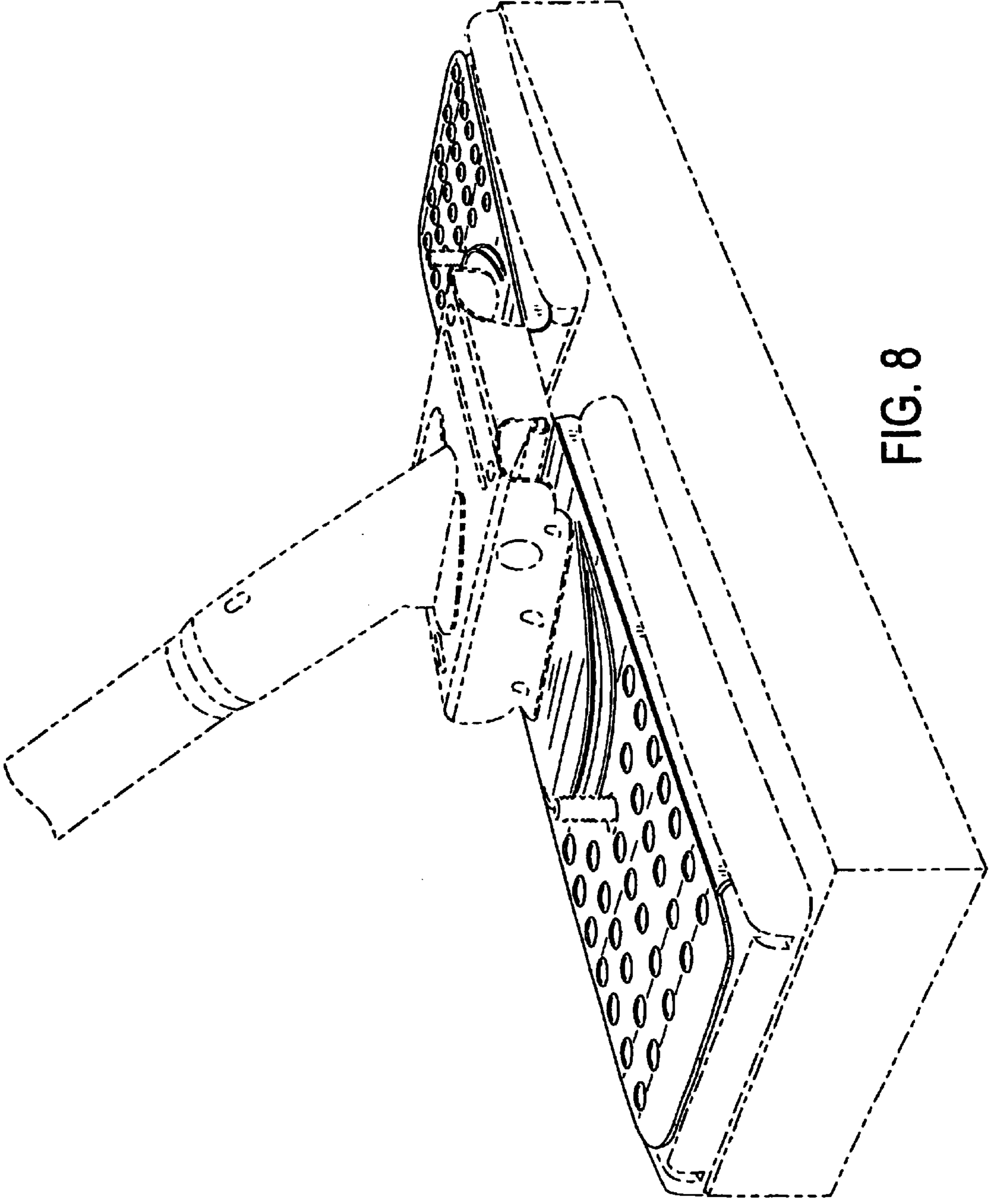


FIG. 8