

US00D530045S

(12) **United States Design Patent**  
**Cole et al.**

(10) **Patent No.:** **US D530,045 S**  
(45) **Date of Patent:** **\*\* Oct. 10, 2006**

(54) **SECTION OF A RIM FOR A FEEDER**

2,941,506 A 6/1960 Fulton  
3,085,552 A 4/1963 Pilch  
3,102,511 A 9/1963 Atcheson  
3,105,463 A 10/1963 Pilch  
RE25,589 E 6/1964 Hostetler et al.

(75) Inventors: **Theodore J. Cole**, Milford, IN (US);  
**Lionel L. Kreger**, Warsaw, IN (US);  
**James R. Kraft**, New Paris, IN (US);  
**Philip Wilfong**, Goshen, IN (US)

(Continued)

(73) Assignee: **CTB IP, Inc.**, Wilmington, DE (US)

**FOREIGN PATENT DOCUMENTS**

(\*\*) Term: **14 Years**

DE 10164122 12/2001  
WO WO 0106846 2/2001

(21) Appl. No.: **29/185,112**

**OTHER PUBLICATIONS**

(22) Filed: **Jun. 23, 2003**

(51) **LOC (8) Cl.** ..... **30-03**

(52) **U.S. Cl.** ..... **D30/124; D30/128; 119/51.01**

(58) **Field of Classification Search** ..... 119/52.1,  
119/72-74, 428-429, 459, 468, 57.8, 57.9,  
119/52.2, 52.3, 52.4, 51.01, 77; D30/128-129,  
D30/124; D7/562, 565, 552.2, 558, 560,  
D7/584, 554.1, 529, 566, 586

One (1) page Big Dutchman "Tru Pan" Flyer—No Date.  
Two (2) page Big Dutchmen "FLUXX Broiler Feeding System" Flyer—No Date.  
Six (6) page Big Dutchman "AugerMatic & TruPan" Brochure—Aug. 2001.

*Primary Examiner*—Pamela Burgess  
(74) *Attorney, Agent, or Firm*—Trexler, Bushnell, Giangiorgi, Blackstone & Marr, Ltd.

See application file for complete search history.

(57) **CLAIM**

(56) **References Cited**

We claim the ornamental design for section of a rim for a feeder, as shown and described.

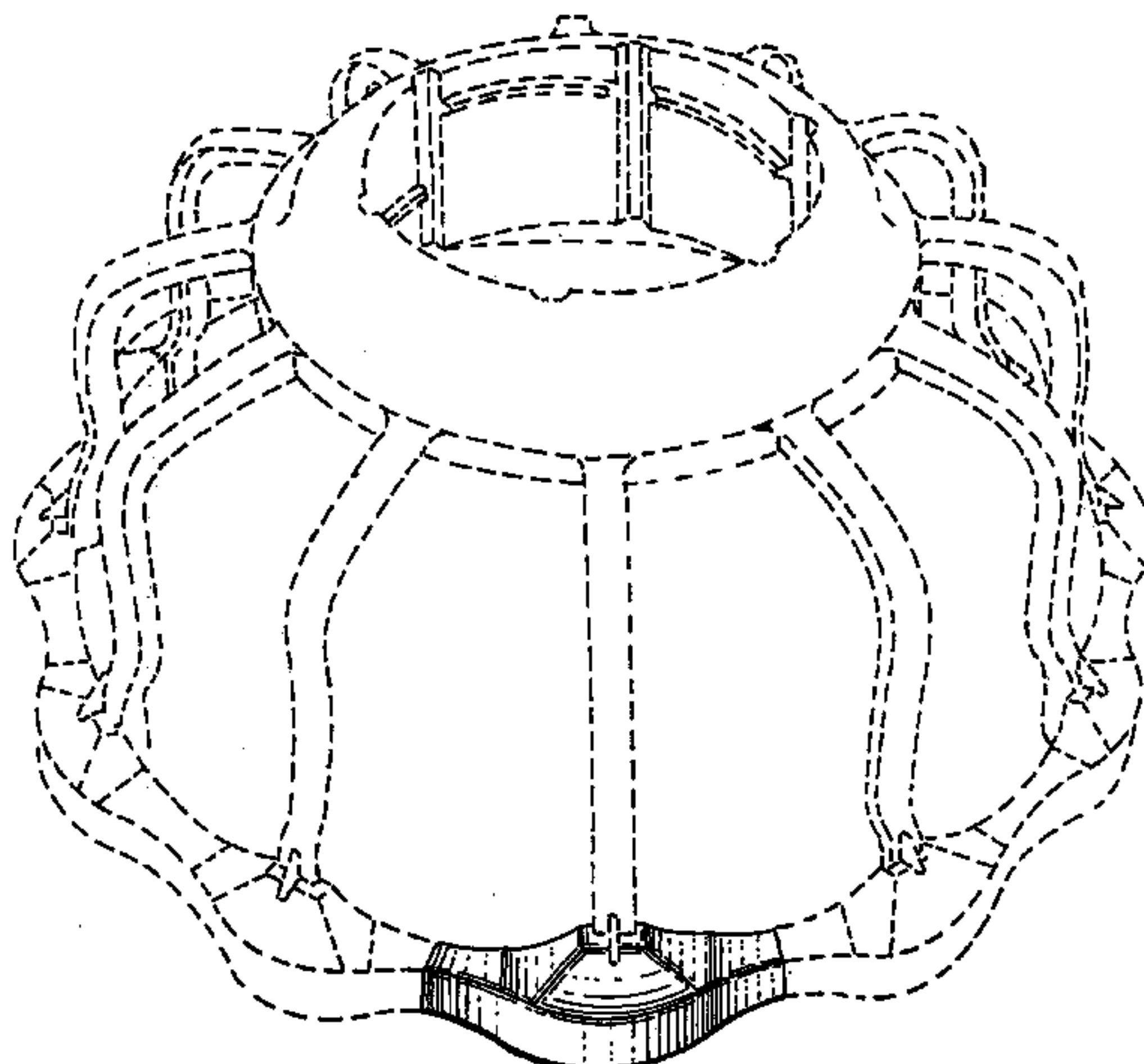
**U.S. PATENT DOCUMENTS**

**DESCRIPTION**

364,557 A 6/1887 Walin  
570,569 A 11/1896 Smith  
580,054 A 4/1897 Merriman  
905,393 A 12/1908 Webb  
984,980 A 2/1911 Taylor  
1,069,943 A 8/1913 Haffey  
1,131,491 A 3/1915 Drake  
D47,285 S \* 5/1915 Ebeling ..... D7/562  
1,154,073 A 9/1915 Stocking  
1,565,117 A 12/1925 Stabbert  
1,699,501 A 1/1929 McCartney  
1,862,349 A 6/1932 Perry  
2,457,432 A 12/1948 Ballard  
2,681,639 A 6/1954 Littlefield  
2,709,417 A 5/1955 Brembeck  
2,789,534 A 4/1957 Landgraf  
2,804,844 A 9/1957 Gigliotti  
2,875,729 A 3/1959 Gibson  
2,884,899 A 5/1959 Jackes et al.  
2,933,064 A 4/1960 Geerlings

FIG. 1 is a perspective view of the section of a rim for a feeder according to our design;  
FIG. 2 is a top plan view of the section of a rim for a feeder according to our design;  
FIG. 3 is a front plan view of the section of a rim for a feeder according to our design;  
FIG. 4 is a side plan view of the section of a rim for a feeder according to our design;  
FIG. 5 is a rear plan view of the section of a rim for a feeder according to our design; and,  
FIG. 6 is a bottom plan view of the section of a rim for a feeder according to our design.  
The broken line showing of FIGS. 1-6 of the section of a rim for a feeder is for illustrative purposes only and forms no part of the claimed design.

**1 Claim, 2 Drawing Sheets**



# US D530,045 S

Page 2

---

U.S. PATENT DOCUMENTS					
			4,478,811 A	10/1984	Swartzendruber
			4,527,513 A	7/1985	Hart et al.
			4,552,095 A	11/1985	Segalla
			4,800,844 A	1/1989	Van Gilst
			4,834,026 A	5/1989	Brembeck et al.
			4,995,343 A	2/1991	Cole et al.
			5,007,380 A	4/1991	Badia et al.
			5,092,274 A	3/1992	Cole et al.
			5,113,797 A	5/1992	van Daele
			5,275,131 A	1/1994	Brake et al.
			5,311,839 A	5/1994	Pollock et al.
			5,406,907 A	4/1995	Hart
			5,497,730 A	3/1996	van Daele et al.
			5,718,167 A	2/1998	Pollock et al.
			5,765,503 A	6/1998	van Daele
			5,794,582 A	8/1998	Hart
			5,884,561 A	3/1999	Vandaele
			D407,949 S *	4/1999	Henry ..... D7/562
			5,941,193 A	8/1999	Cole
			6,050,220 A	4/2000	Kimmel et al.
			D426,682 S	6/2000	Kreger et al.
			6,170,435 B1	1/2001	Momont et al.
			6,173,676 B1	1/2001	Cole
			6,314,909 B1	11/2001	Horwood
			6,349,672 B1 *	2/2002	Daffi ..... 119/52.1
			2001/0047766 A1	12/2001	Thuline

\* cited by examiner

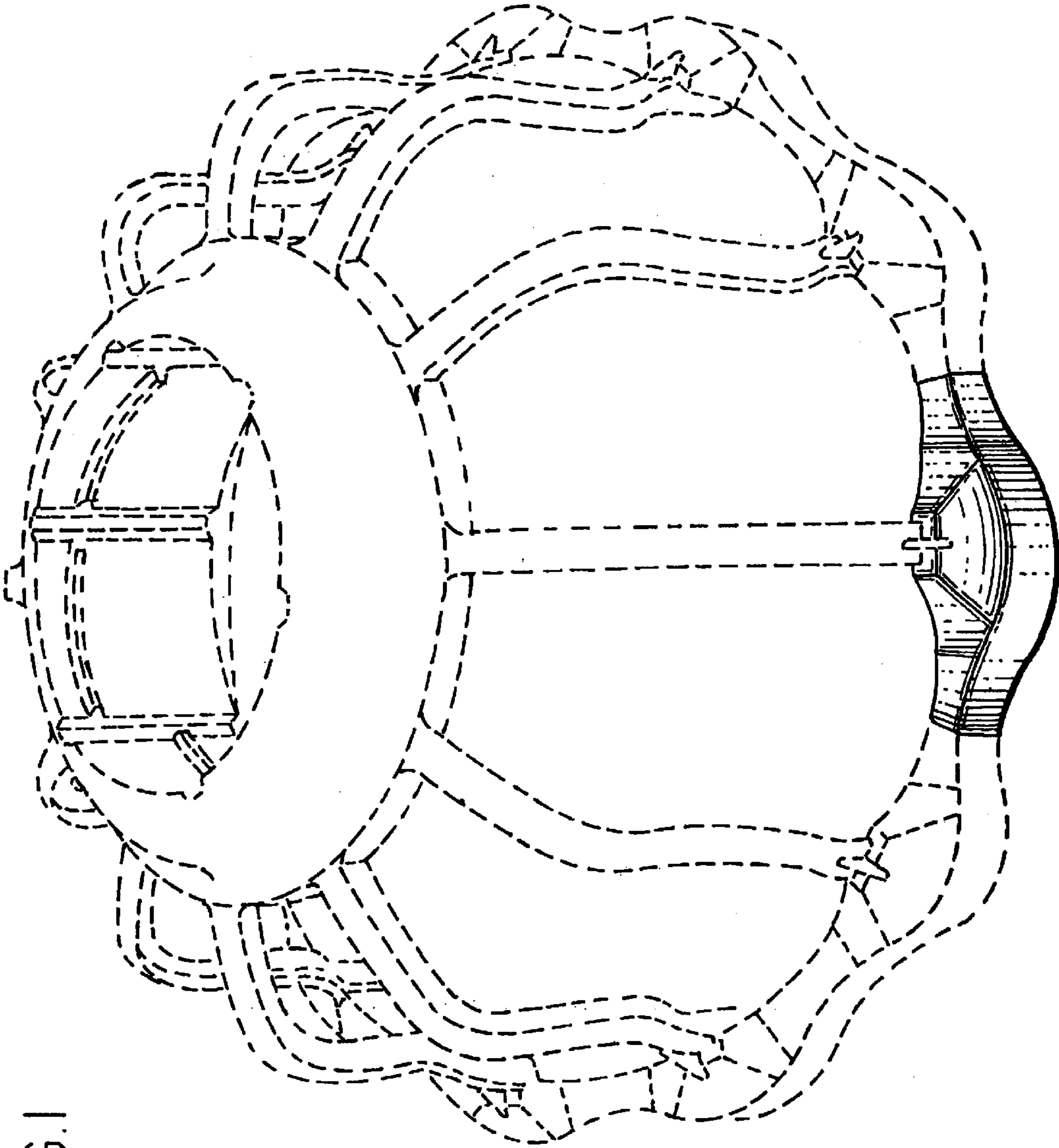


FIG. 1

FIG.2

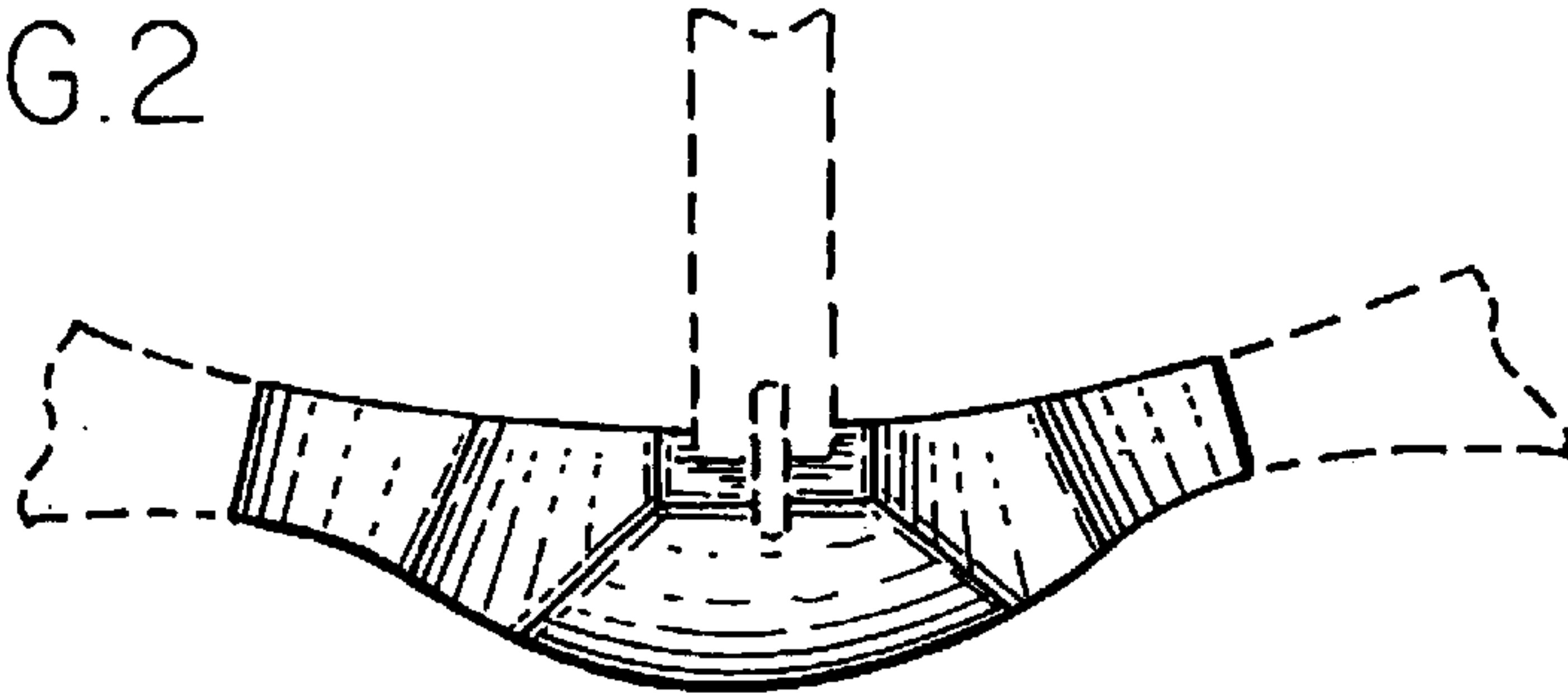


FIG.4

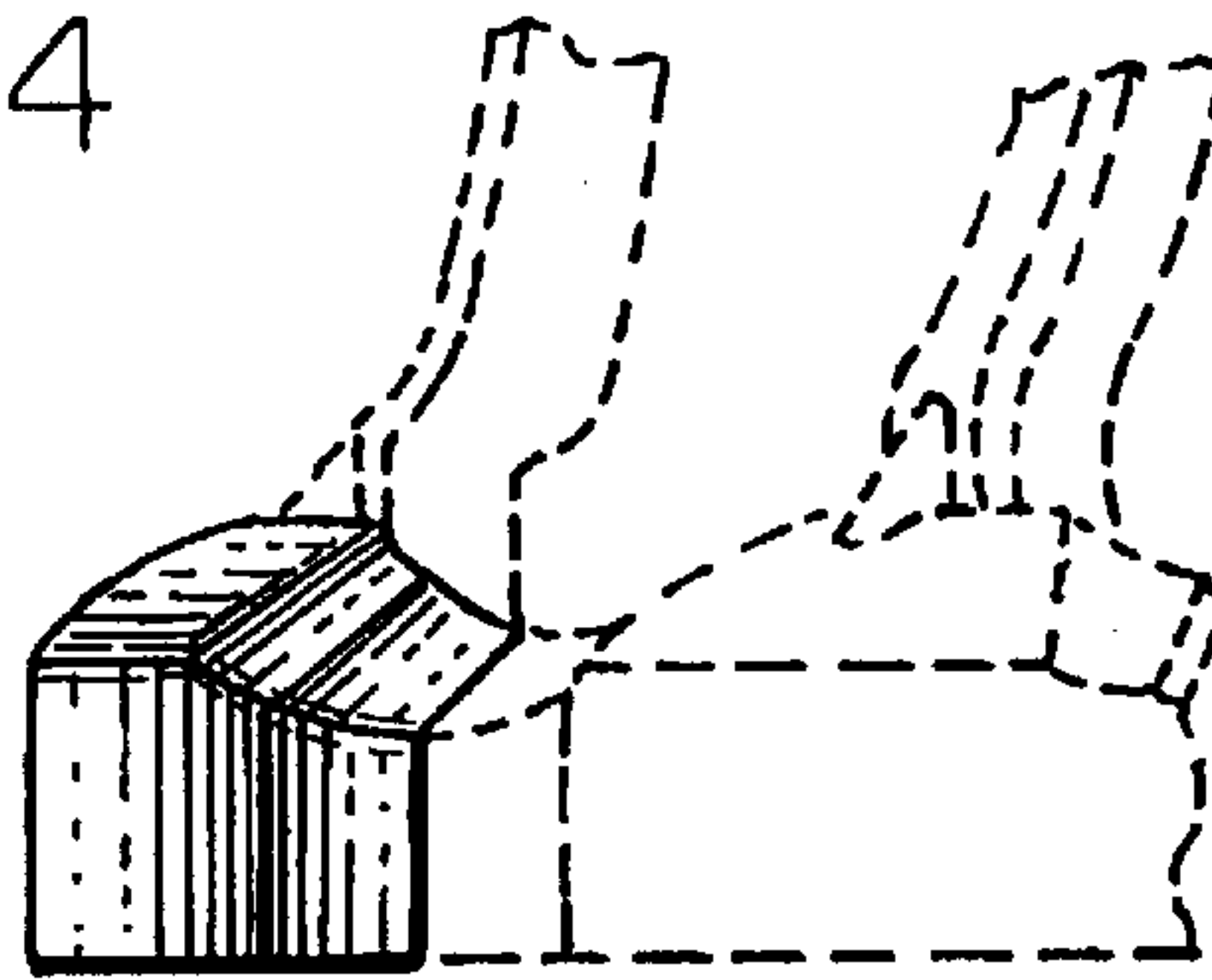


FIG.3

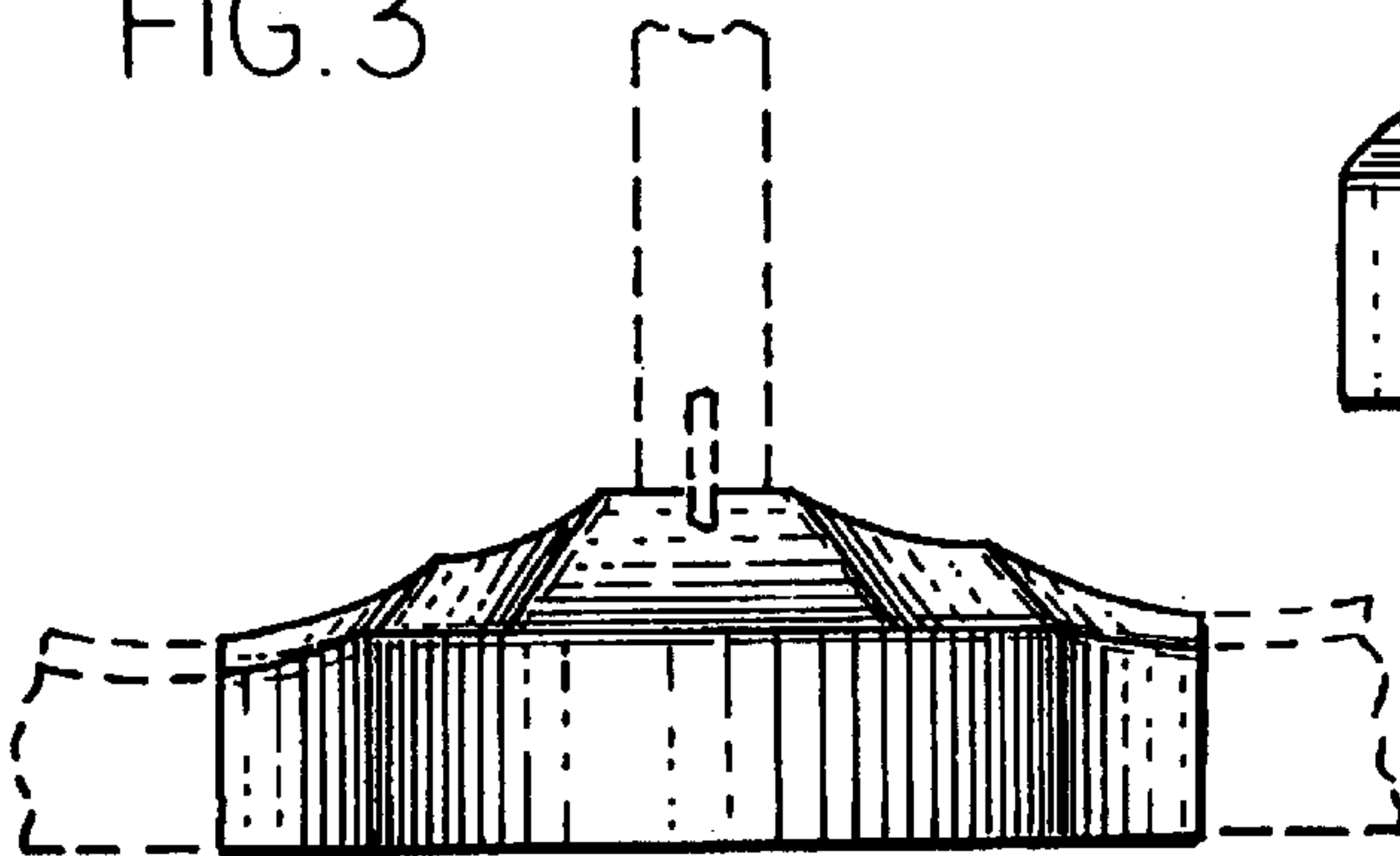


FIG.5

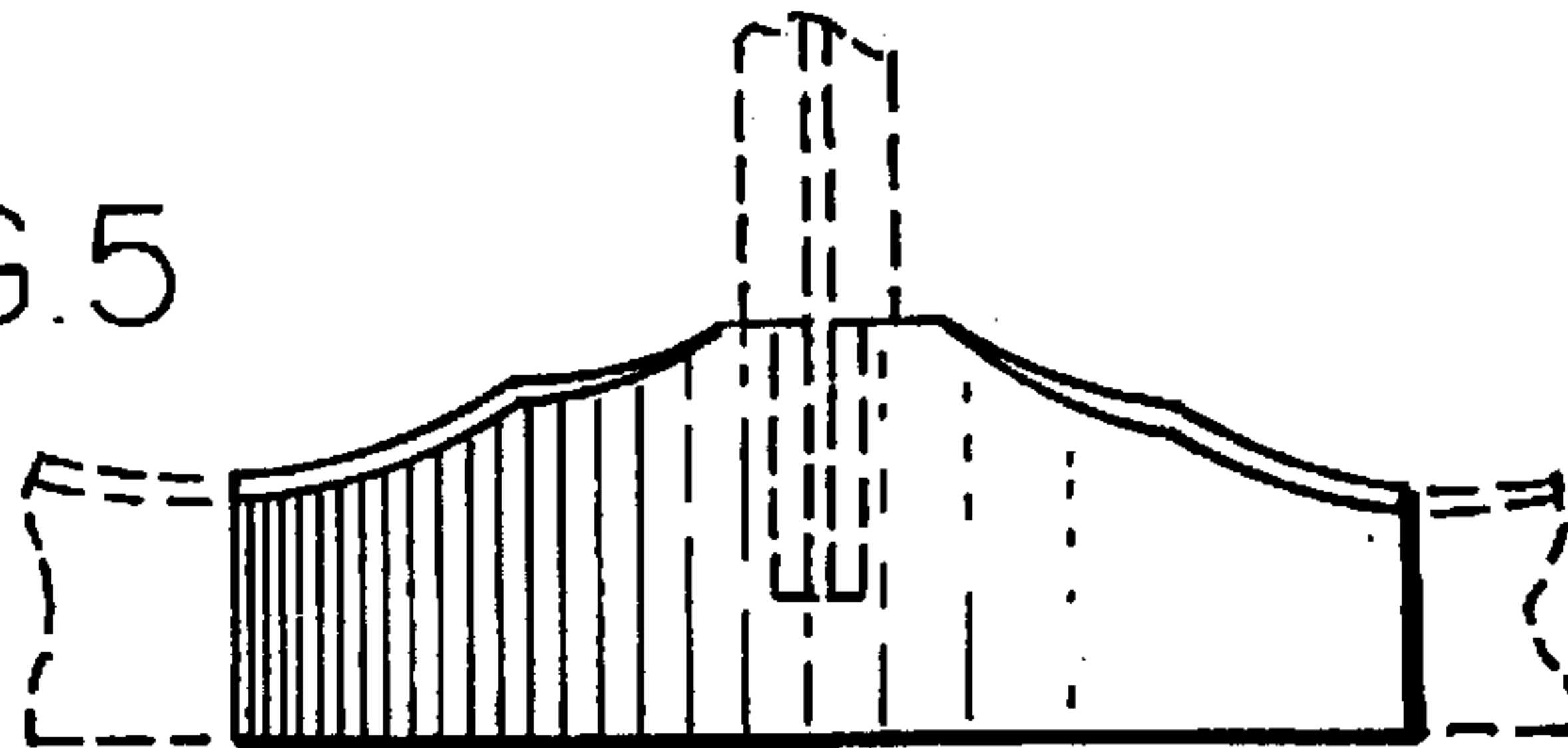
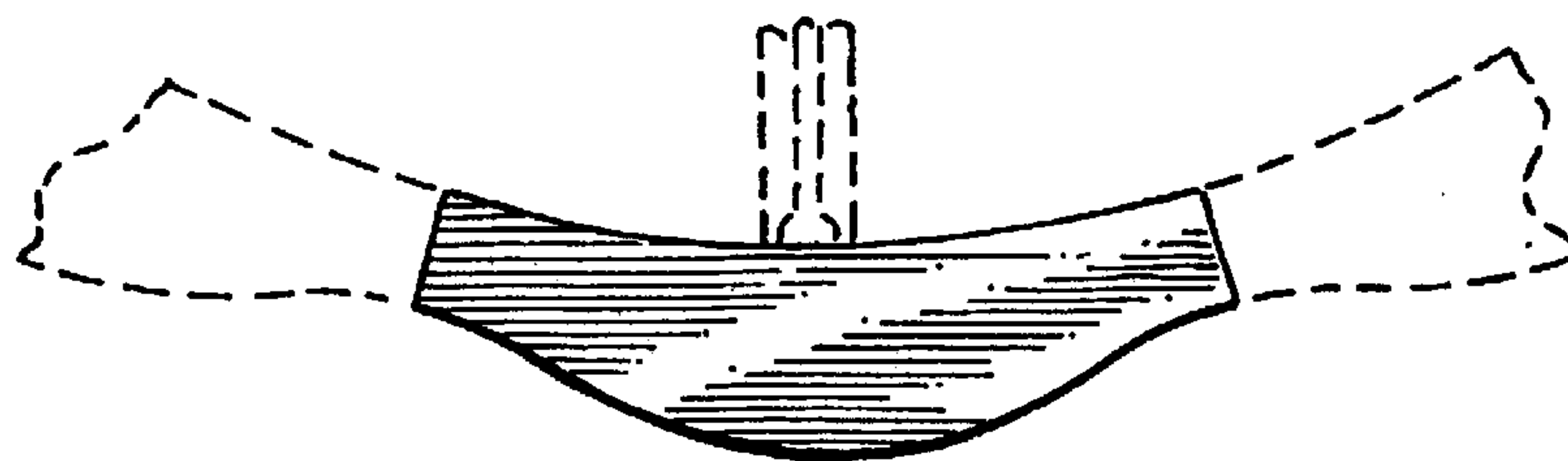


FIG.6





UNITED STATES PATENT AND TRADEMARK OFFICE  
**CERTIFICATE OF CORRECTION**

PATENT NO. : Des. 530,045 S  
APPLICATION NO. : 29/185112  
DATED : October 10, 2006  
INVENTOR(S) : Cole et al.

Page 1 of 1

It is certified that error appears in the above-identified patent and that said Letters Patent is hereby corrected as shown below:

Item (56)      References Cited  
U.S. PATENT DOCUMENTS

“3,646,661 A	3/1972	Moore” should be
-- 3,648,661 A	3/1972	Moore --
“5,718,167 A	2/1998	Pollock et al.” should be
-- 5,718,187 A	2/1998	Pollock et al. --
“5,884,561 A	3/1999	Vandaele” should be
-- 5,884,581 A	3/1999	Vandaele --

Signed and Sealed this

Second Day of January, 2007

A handwritten signature in black ink on a dotted background. The signature reads "Jon W. Dudas" in a cursive style.

JON W. DUDAS

*Director of the United States Patent and Trademark Office*