



US00D530044S

(12) **United States Design Patent**
Kalhok

(10) **Patent No.:** **US D530,044 S**
(45) **Date of Patent:** **** Oct. 10, 2006**

(54) **SELECTED ELEMENTS OF A FULL-FACE HELMET**

3,833,935 A 9/1974 Ansite et al.
3,971,368 A 7/1976 Forbes et al.

(75) Inventor: **David Kalhok**, Marion, IL (US)

(Continued)

(73) Assignee: **Bombardier Recreational Products Inc.**, Valcourt (CA)

FOREIGN PATENT DOCUMENTS

(**) Term: **14 Years**

(21) Appl. No.: **29/186,374**

(22) Filed: **Jul. 16, 2003**

CA	2 065 300	8/1990
DE	28 46 636	4/1980
DE	44 16 921	11/1995
EP	0371858	6/1990
EP	0 590 255	4/1994
EP	0 638 253	2/1995
WO	WO94/05175	3/1994

Related U.S. Application Data

(60) Continuation of application No. 29/148,772, filed on Sep. 20, 2001, now Pat. No. Des. 497,223, which is a division of application No. 29/099,598, filed on Jan. 25, 1999, now Pat. No. Des. 450,160.

(30) **Foreign Application Priority Data**

Dec. 22, 1998 (CA) 1998-3127

(51) **LOC (8) Cl.** **09-03**

(52) **U.S. Cl.** **D29/107**

(58) **Field of Classification Search** D29/102-107,
D29/122; 2/410-4, 418, 419, 423-425, 455,
2/9, 6.3, 6.5, 6.7

See application file for complete search history.

(56) **References Cited**

U.S. PATENT DOCUMENTS

1,706,602 A	3/1929	Drager
2,317,608 A	4/1943	Heidbrink
2,348,277 A	5/1944	Boothby et al.
2,867,812 A	1/1959	Roth et al.
3,065,747 A	11/1962	Forkel
3,110,034 A	11/1963	Aileo
3,237,202 A	3/1966	Aileo
3,239,843 A	3/1966	Lobelle
3,310,811 A	3/1967	Iacono, Jr.
3,351,056 A	11/1967	Durney
3,400,407 A	9/1968	Aileo
3,721,994 A	3/1973	DeSimone et al.
3,768,100 A	10/1973	Colman et al.

OTHER PUBLICATIONS

Search Report for European Patent Application No. 01130658.6-2314, dated May 10, 2002, no drawings.

Primary Examiner—Ruth McInroy

(74) *Attorney, Agent, or Firm*—Osler, Hoskin & Harcourt LLP

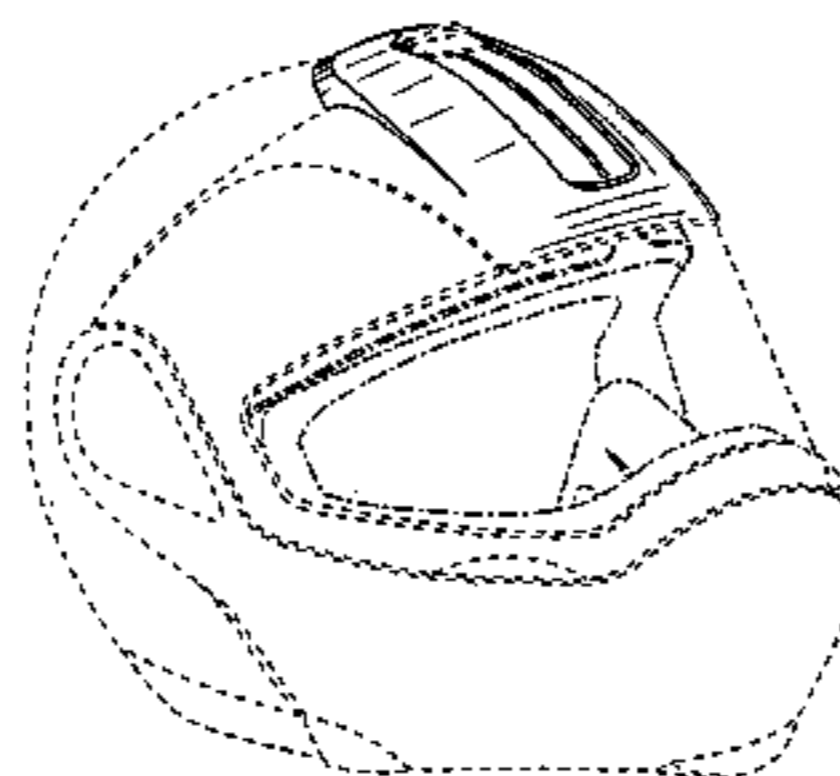
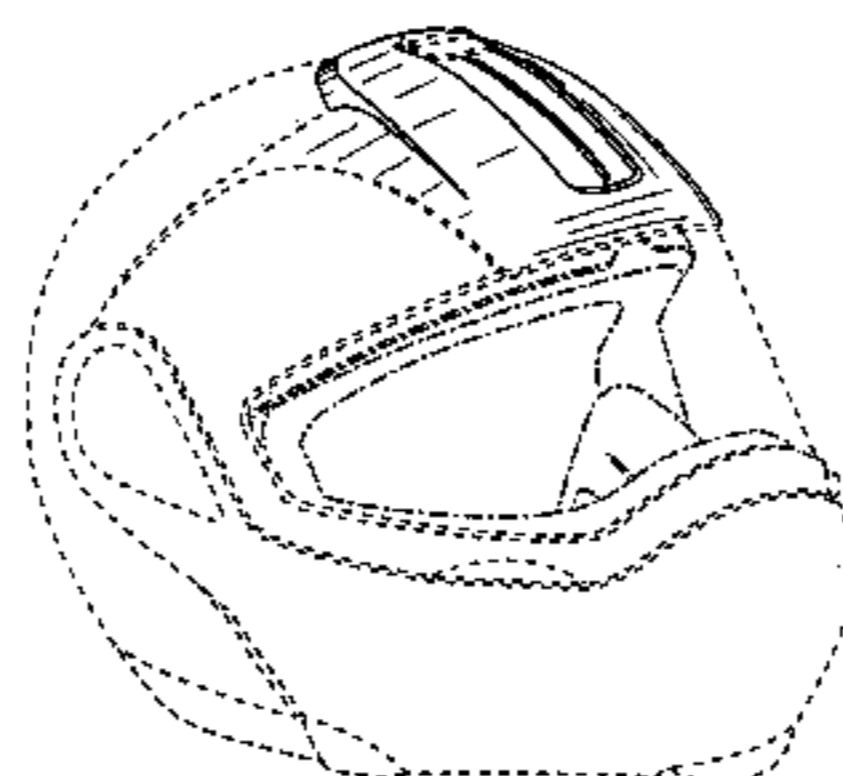
(57) **CLAIM**

I claim the ornamental design for selected elements of a full-face helmet, as shown and described.

DESCRIPTION

FIG. 1 is a front, perspective view of a first embodiment of selected elements of a full-face helmet of my design; FIG. 2 is a front elevational view thereof; FIG. 3 is a top plan view thereof; FIG. 4 is a right side elevational view thereof; FIG. 5 is a left side elevational view thereof; FIG. 6 is a rear elevational view thereof; FIG. 7 is a front, perspective view of a second embodiment of selected elements of a full-face helmet of my design; FIG. 8 is a front elevational view thereof; FIG. 9 is a top plan view thereof; FIG. 10 is a right side elevational view thereof; FIG. 11 is a left side elevational view thereof; and, FIG. 12 is a rear elevational view thereof. In FIGS. 1-12, the dotted lines showing structure form no part of the claimed design.

1 Claim, 6 Drawing Sheets



US D530,044 S

U.S. PATENT DOCUMENTS

4,170,042	A	10/1979	Aileo	5,549,104	A	8/1996	Crump et al.
4,195,328	A	3/1980	Harris, Jr.	5,555,569	A	9/1996	Lane
4,315,335	A	2/1982	Kennedy, Jr. et al.	5,584,073	A	12/1996	Radzelovage et al.
4,400,591	A	8/1983	Jennings et al.	5,603,317	A	2/1997	Farmer
4,514,864	A	5/1985	Huber	5,619,755	A	4/1997	Casartelli
4,555,815	A	12/1985	Walther	5,630,412	A	5/1997	Dubruille et al.
4,556,994	A	12/1985	Kawasaki et al.	5,649,532	A	7/1997	Griffiths
4,579,113	A	4/1986	McCreadie et al.	5,653,225	A	8/1997	Schegerin
4,584,721	A	4/1986	Yamamoto	5,680,656	A	10/1997	Gath
4,595,003	A	6/1986	Shoemaker et al.	5,694,650	A	12/1997	Hong
4,598,430	A	7/1986	Nava	5,722,091	A	3/1998	Keller et al.
4,667,348	A	5/1987	Sundahl	5,758,639	A	6/1998	Ikonen
4,676,236	A	6/1987	Piorkowski et al.	5,765,235	A	6/1998	Arnold
4,689,836	A	9/1987	Vitaloni	5,794,260	A	8/1998	Schegerin
4,704,746	A	11/1987	Nava	5,797,146	A	8/1998	Matich
4,734,940	A	4/1988	Galet et al.	5,901,369	A	5/1999	Pilney
4,764,990	A	8/1988	Markert	5,910,764	A	6/1999	Hayden
4,803,980	A	2/1989	Nowakowski et al.	5,924,420	A	7/1999	Reischel et al.
4,886,056	A	12/1989	Simpson	5,930,843	A	8/1999	Kelly
4,907,300	A	3/1990	Dampney et al.	6,047,409	A	4/2000	Simpson
5,003,632	A	4/1991	Claude	6,075,857	A	6/2000	Doss, Jr. et al.
5,078,130	A	1/1992	Van Oosten et al.	6,085,358	A	7/2000	Cogan
5,093,939	A	3/1992	Noyerie et al.	6,161,225	A	12/2000	Arai
H1039	H	4/1992	Tripp, Jr. et al.	6,249,918	B1	6/2001	Lacroix
5,148,550	A	9/1992	Hodgkinson et al.	D445,546	S *	7/2001	Gafforio D29/107
5,187,502	A	2/1993	Howell	D446,357	S *	8/2001	Shida D29/107
5,291,880	A	3/1994	Almovist et al.	D447,605	S *	9/2001	Kalhok D29/107
5,351,339	A	10/1994	Reuber et al.	D450,160	S *	11/2001	Kalhok D29/107
5,394,566	A	3/1995	Hong	D451,643	S *	12/2001	Kalhok D29/107
5,396,661	A	3/1995	Sutter et al.	D452,592	S *	12/2001	Kalhok D29/107
5,444,875	A	8/1995	Taniuchi	6,425,143	B1	7/2002	Benedict et al.
5,500,953	A	3/1996	Reuber et al.	D475,815	S *	6/2003	Kalhok D29/107
5,515,843	A	5/1996	Chang	D498,881	S *	11/2004	Yi D29/107
5,538,001	A	7/1996	Bridges				

* cited by examiner

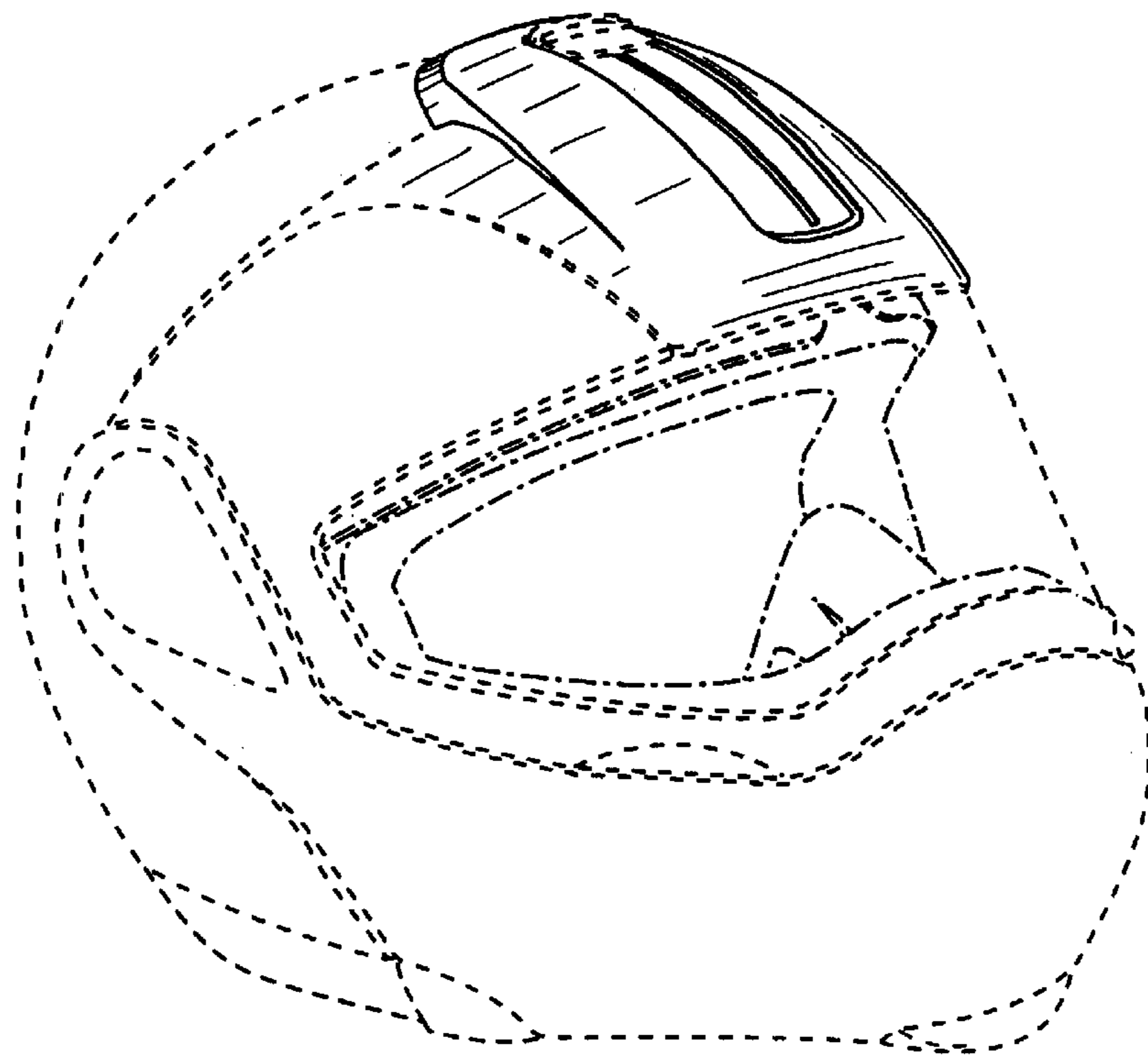


FIG. 1

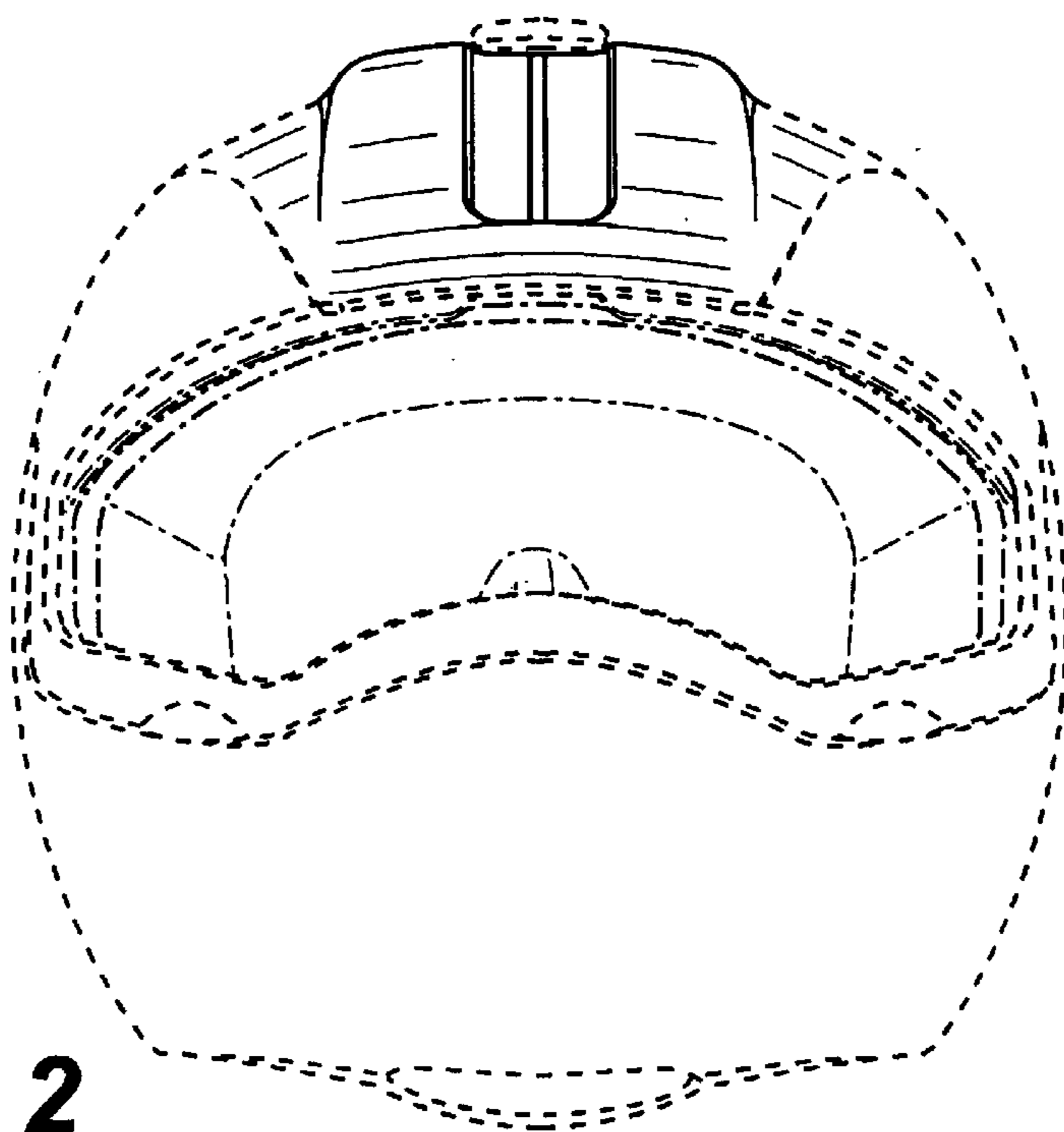


FIG. 2

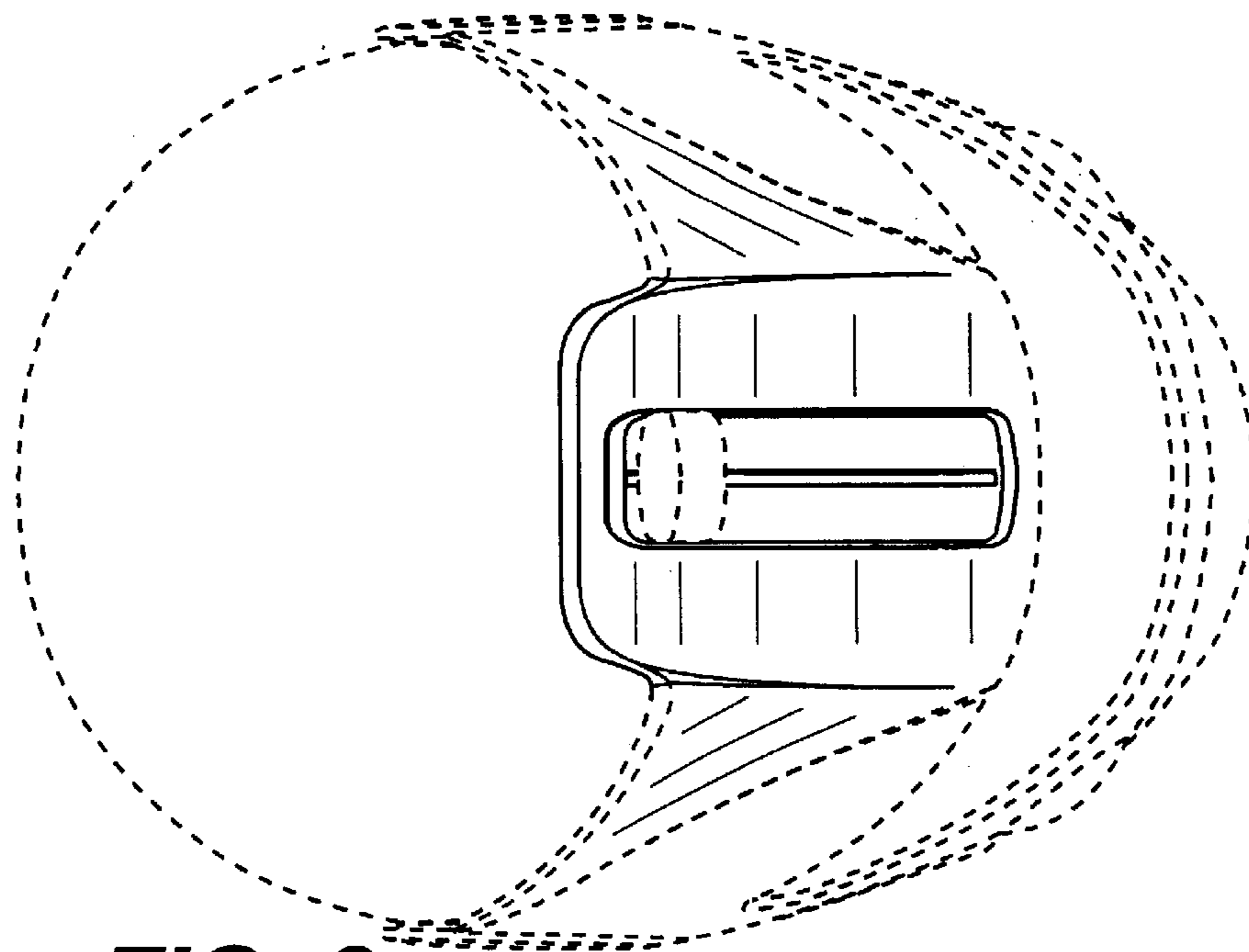


FIG. 3

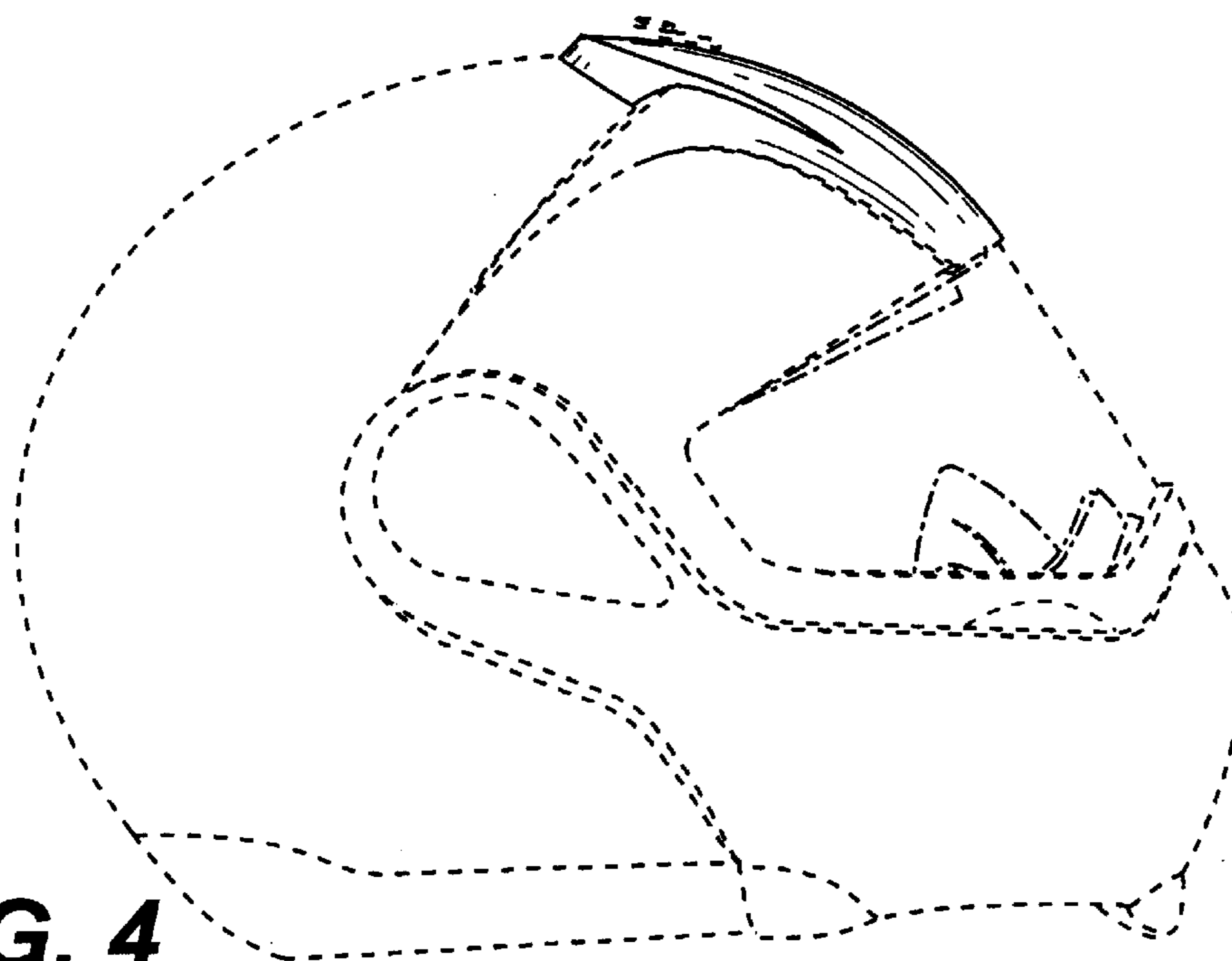


FIG. 4

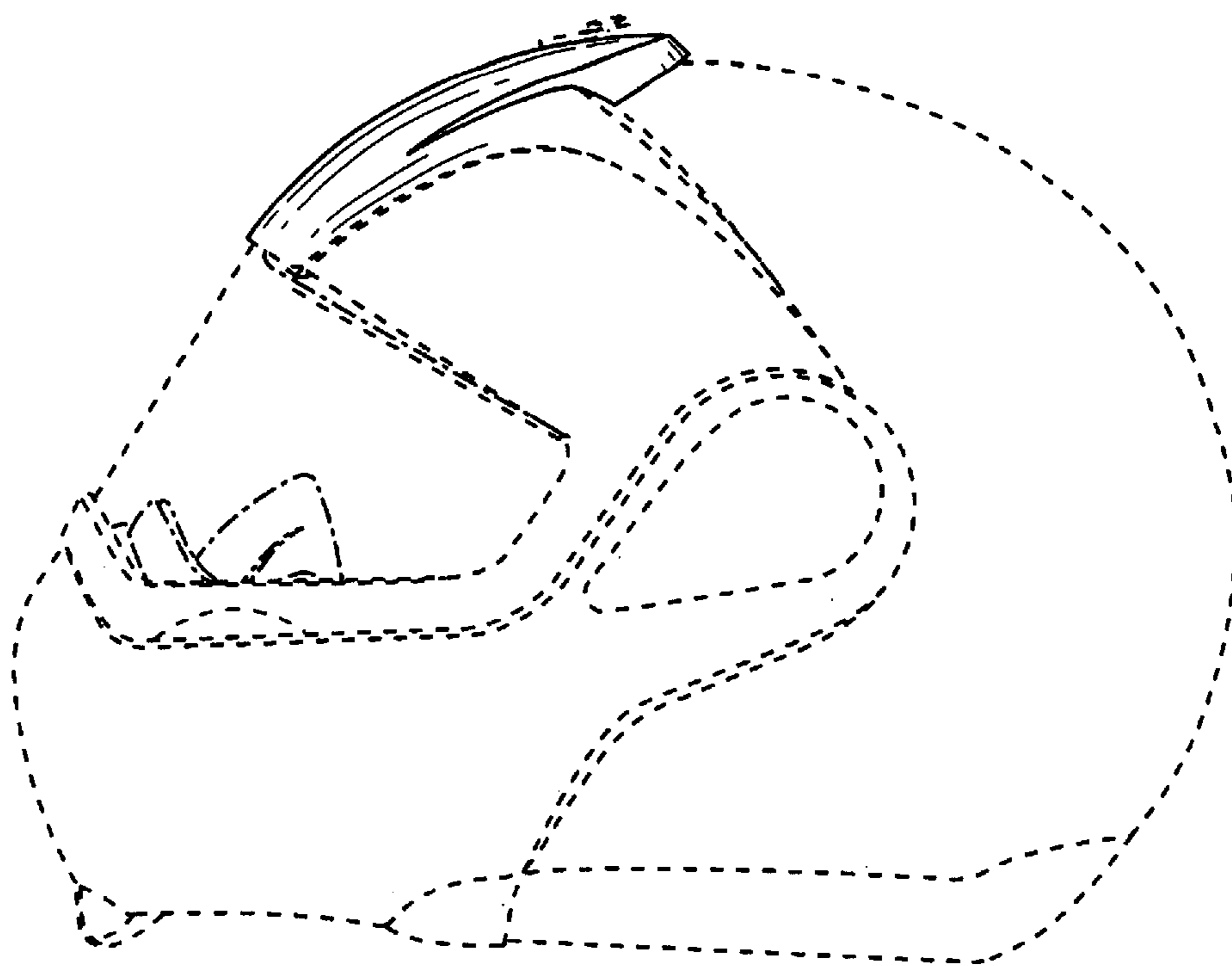


FIG. 5

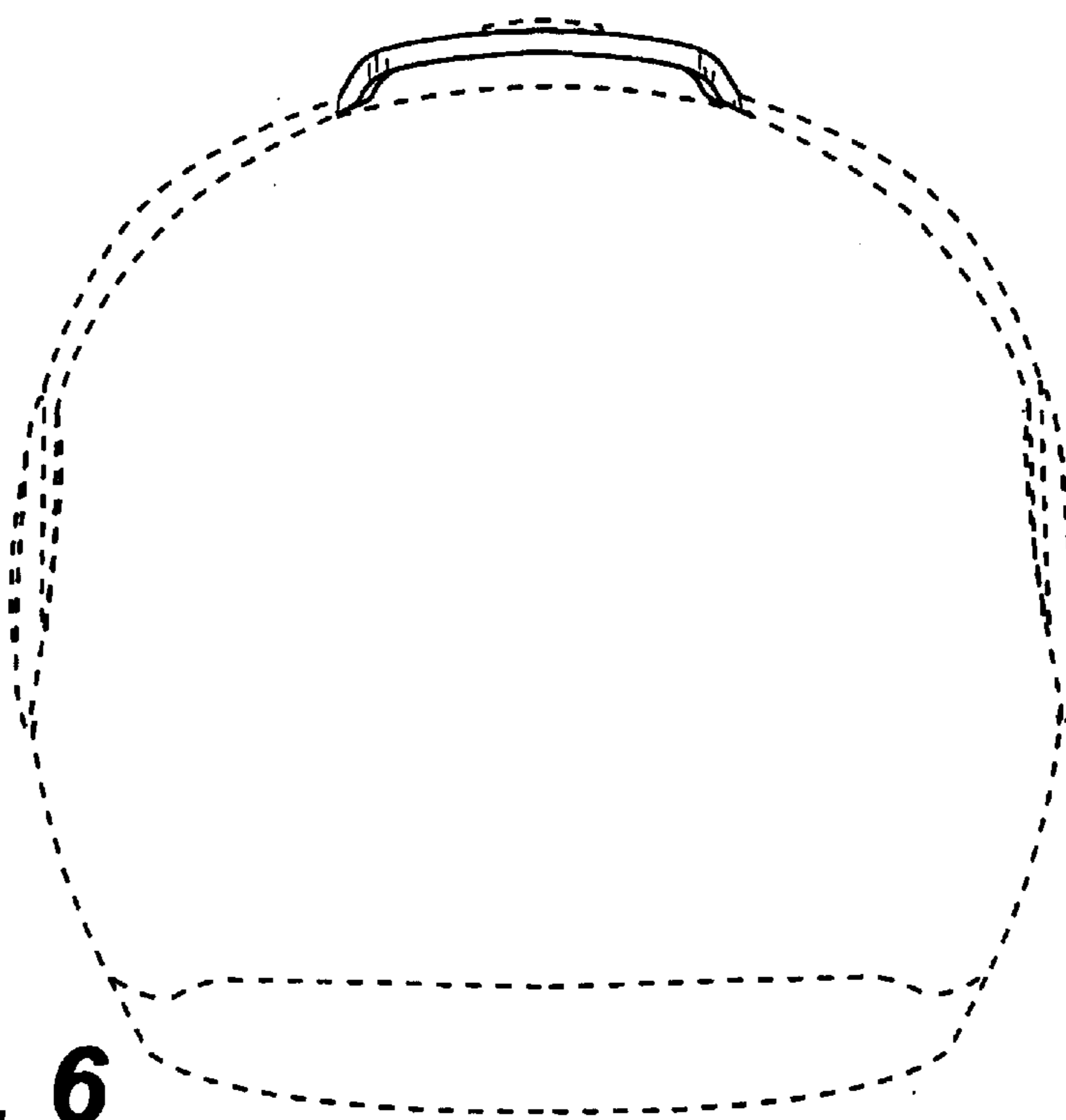


FIG. 6

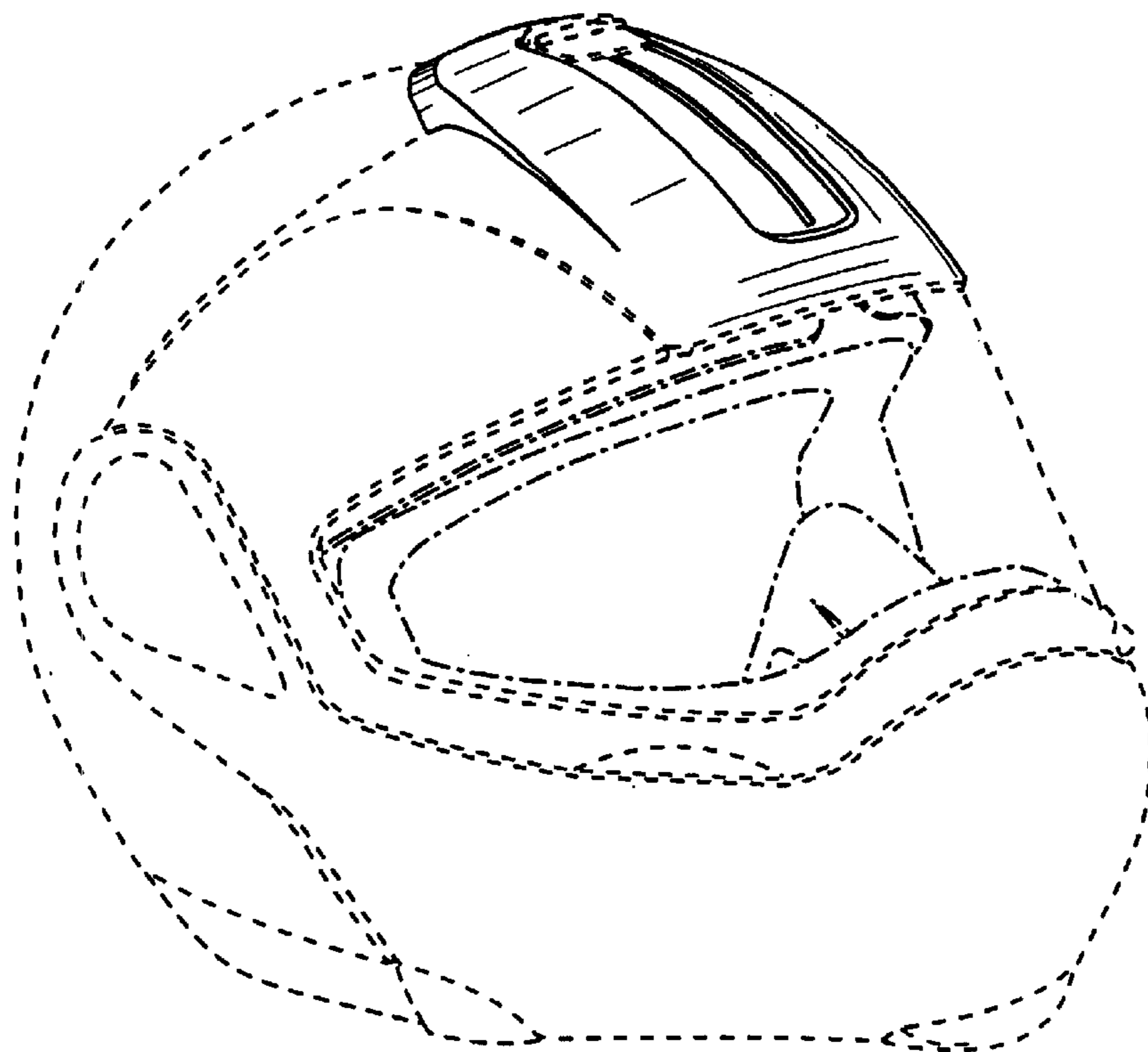


FIG. 7

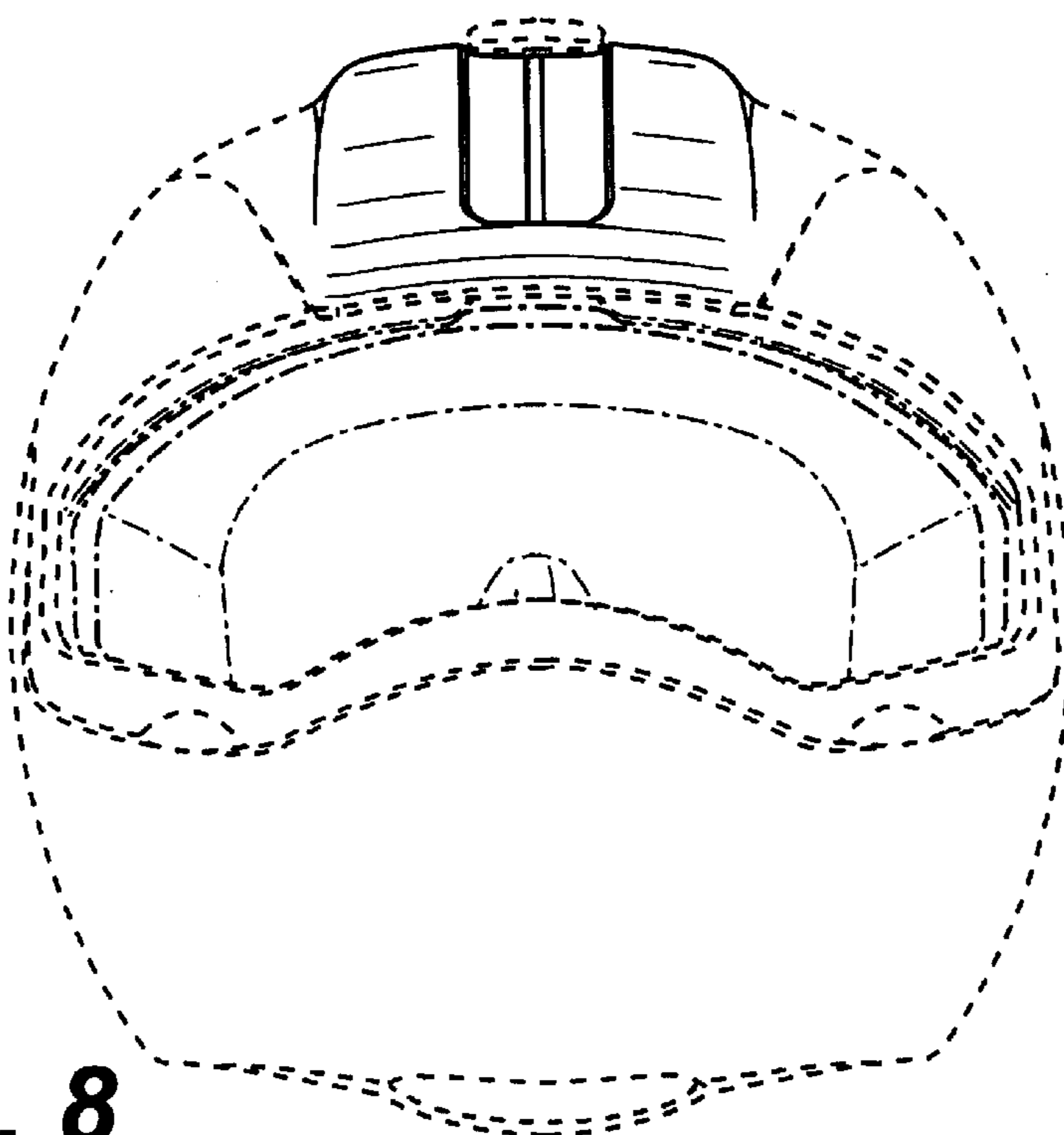


FIG. 8

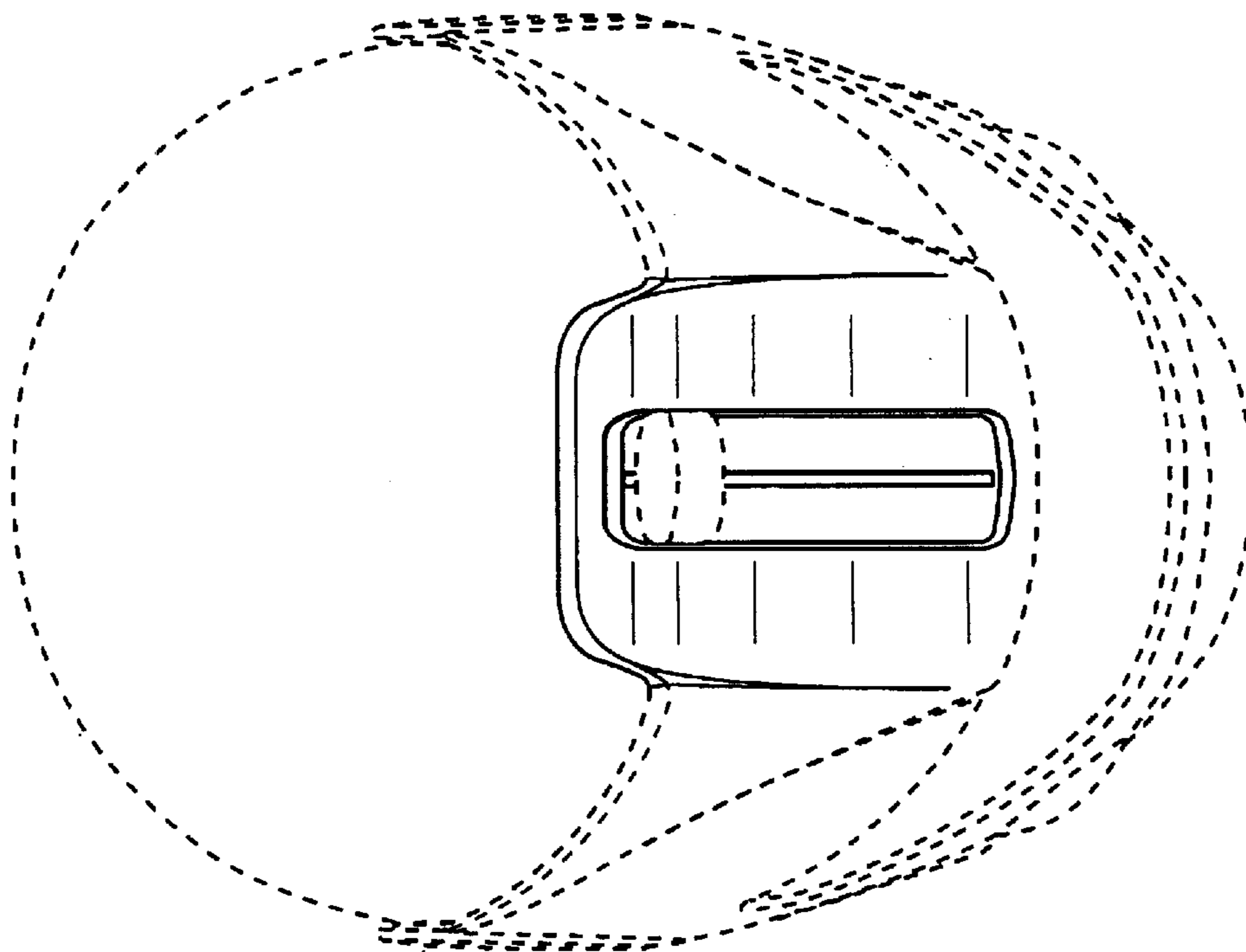


FIG. 9

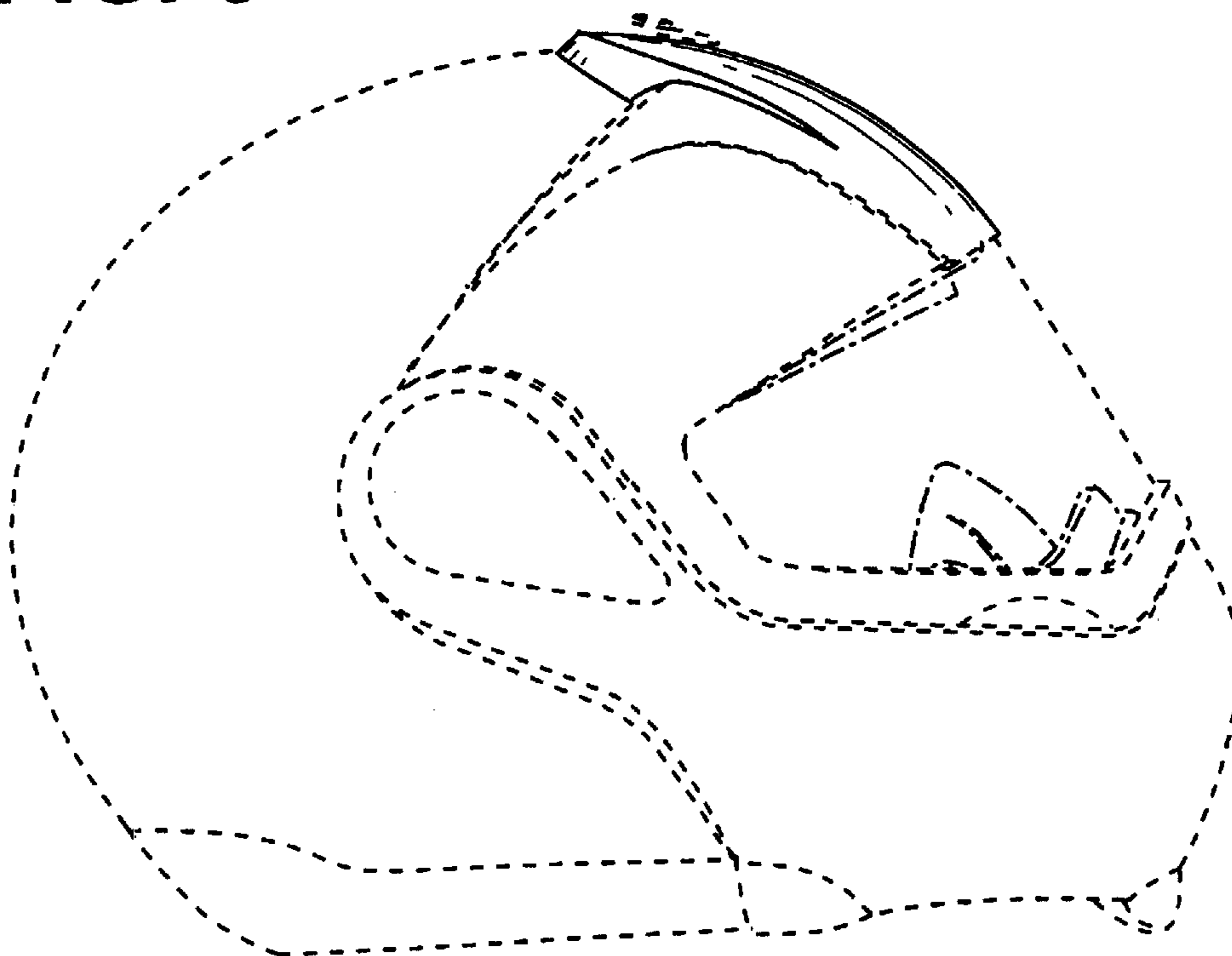


FIG. 10

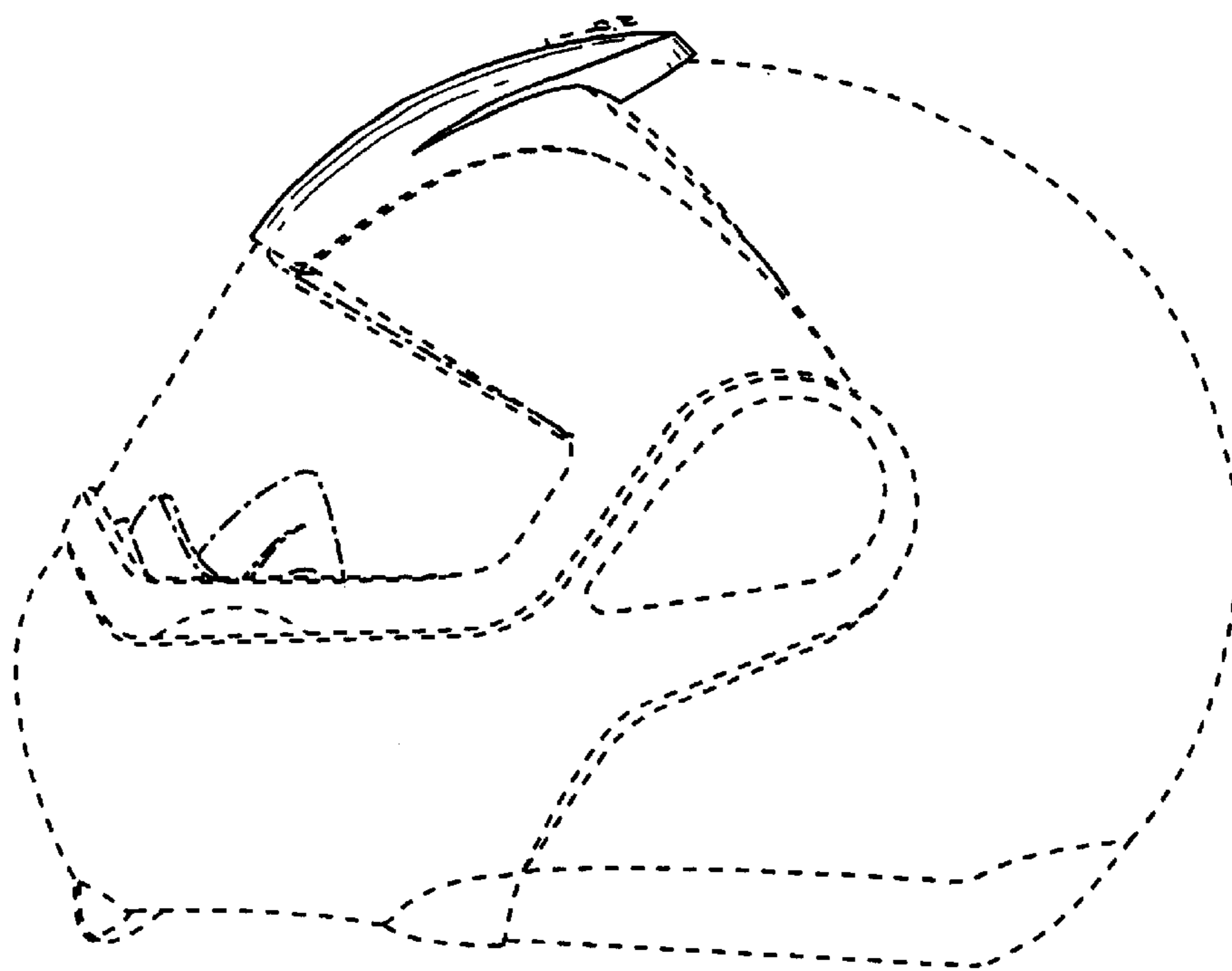


FIG. 11

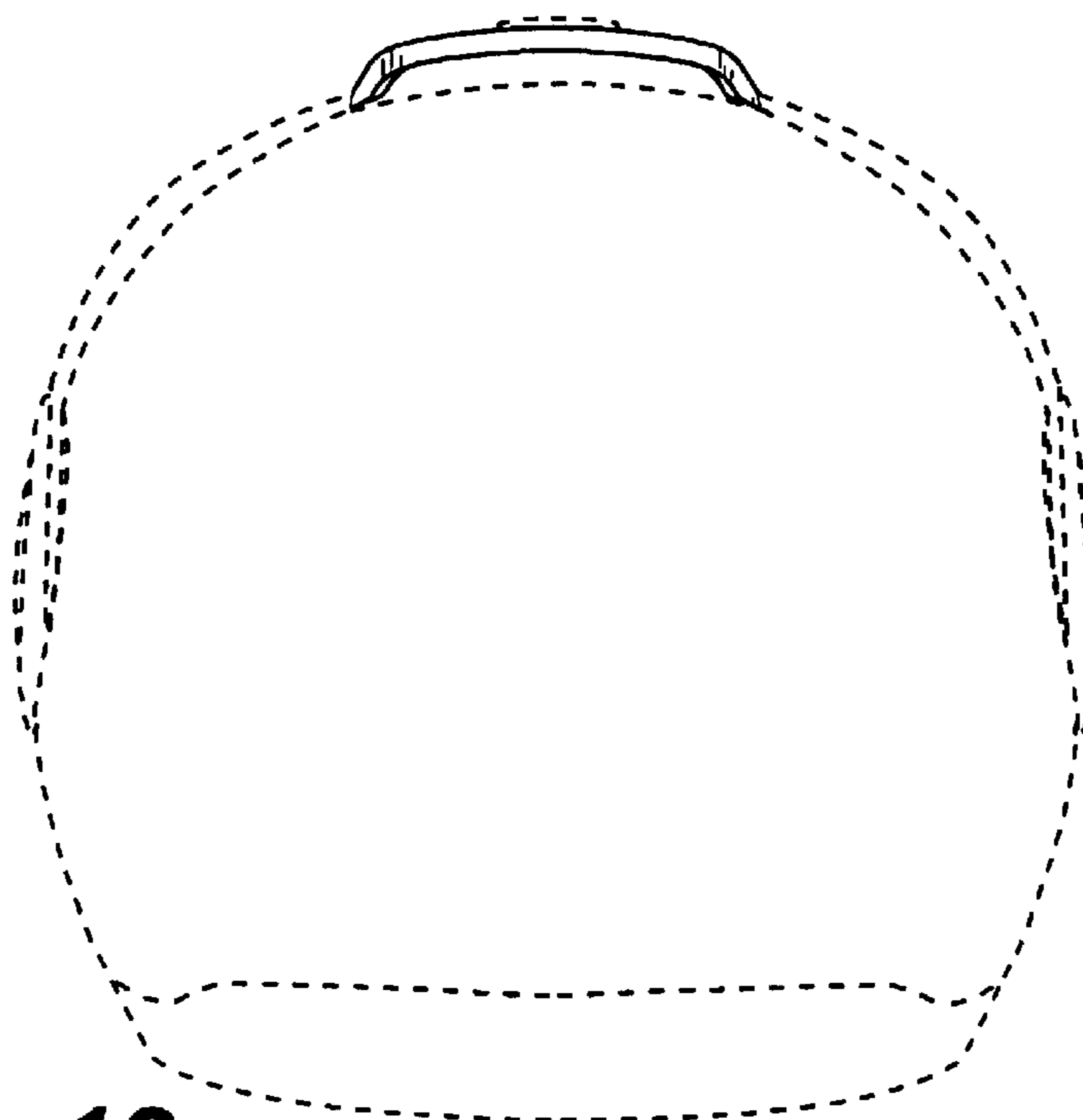


FIG. 12