



US00D530042S

(12) **United States Design Patent**  
**Funkhouser et al.**

(10) **Patent No.:** **US D530,042 S**

(45) **Date of Patent:** **\*\* Oct. 10, 2006**

(54) **PORTION OF COSMETIC CONTAINER**

(75) Inventors: **Benjamin E. Funkhouser**, New York, NY (US); **Kai Kaden**, New York, NY (US); **Christopher D. Barr**, Belmont, MI (US)

(73) Assignee: **Access Business Group International LLC**, Ada, MI (US)

(\*\*) Term: **14 Years**

(21) Appl. No.: **29/244,302**

(22) Filed: **Dec. 7, 2005**

**Related U.S. Application Data**

(62) Division of application No. 29/224,481, filed on Mar. 2, 2005, now Pat. No. Des. 523,178.

(51) **LOC (8) Cl.** ..... **28-03**

(52) **U.S. Cl.** ..... **D28/82**

(58) **Field of Classification Search** ..... D28/76,  
D28/77, 78, 81, 82; 132/293-307; D9/529;  
220/4.22, 4.23; 206/561, 823

See application file for complete search history.

(56) **References Cited**

**U.S. PATENT DOCUMENTS**

D319,897 S \* 9/1991 Bakic ..... D28/82

D366,737 S \* 1/1996 Chen ..... D32/35  
D420,172 S \* 2/2000 Thorpe ..... D28/82  
D424,752 S \* 5/2000 Thorpe ..... D28/82  
D496,759 S \* 9/2004 Rodriguez ..... D28/82  
D497,037 S \* 10/2004 Rodriguez ..... D28/82  
D507,078 S \* 7/2005 Greenfield ..... D28/82

\* cited by examiner

*Primary Examiner*—Jennifer Rivard

(74) *Attorney, Agent, or Firm*—Warner Norcross & Judd

(57) **CLAIM**

The ornamental design for portion of cosmetic container, as shown and described.

**DESCRIPTION**

FIG. 1 is a perspective view of the portion of the cosmetic container;

FIG. 2 is a front elevational view of the same;

FIG. 3 is a right side elevational view of the same, the left side elevational view being a mirror image thereof;

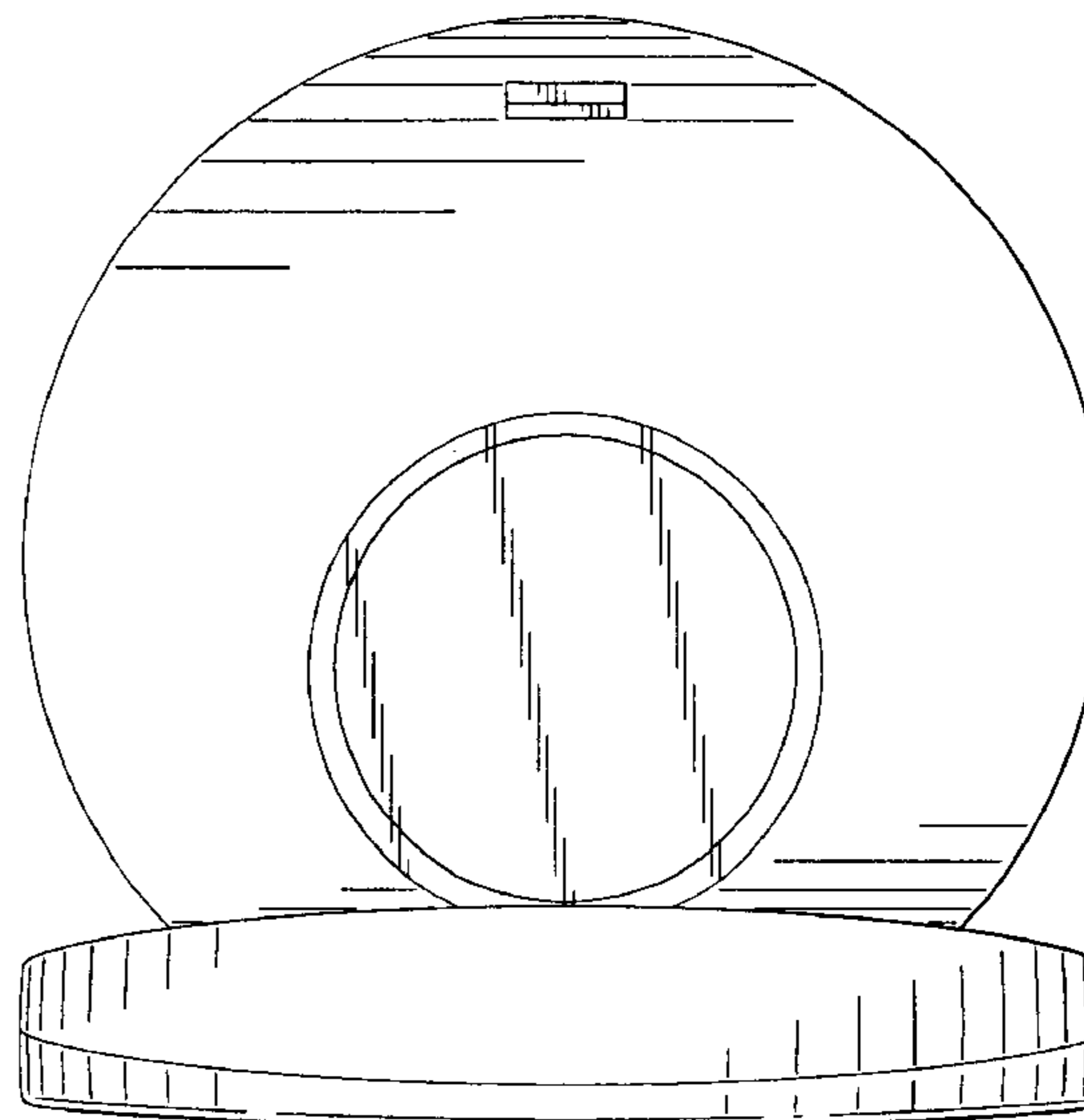
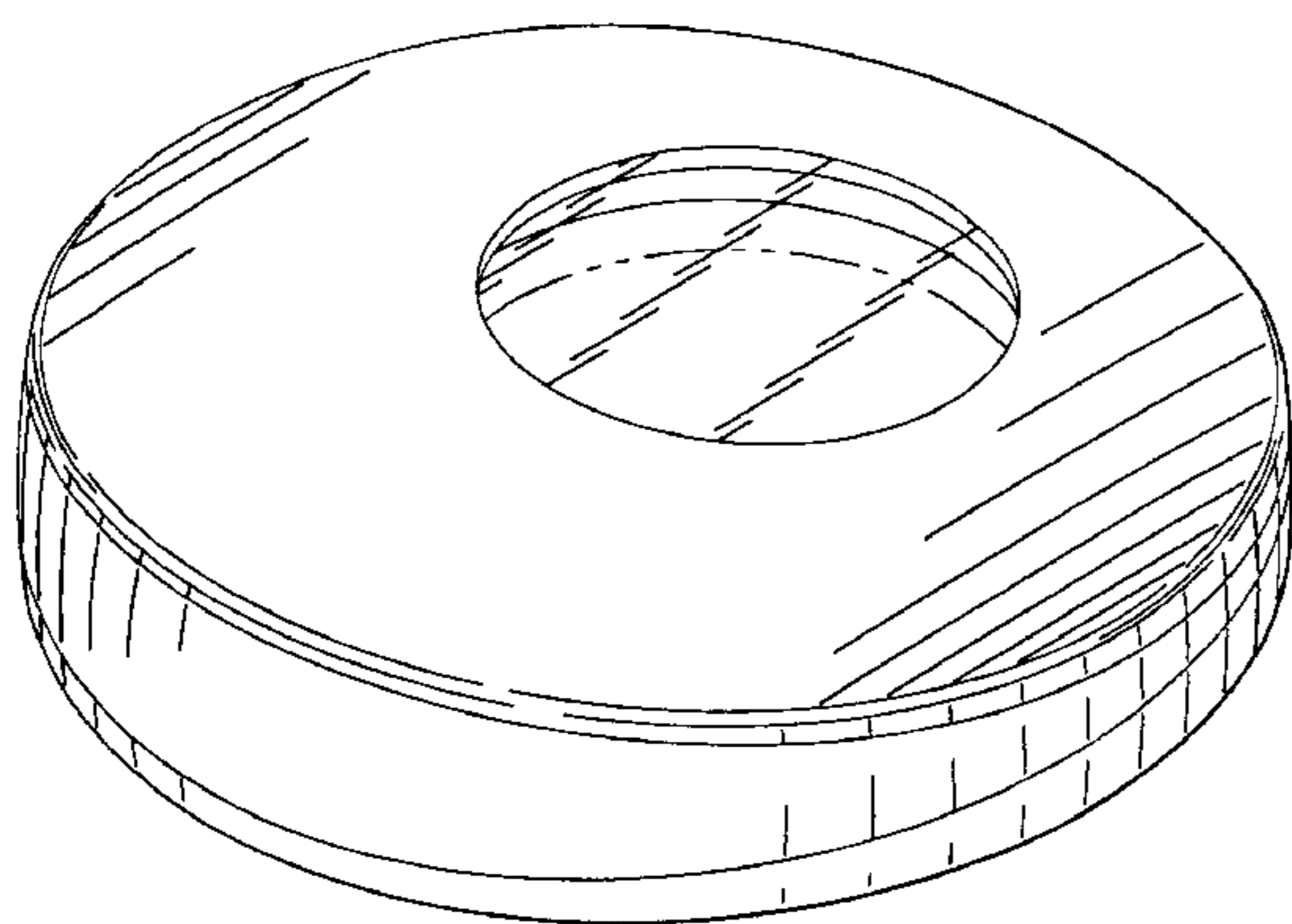
FIG. 4 is a rear elevational view of the same;

FIG. 5 is a top plan view of the same; and,

FIG. 6 is a bottom plan view of the same.

The broken lines are shown for illustrative purposes only and form no part of the claimed design.

**1 Claim, 3 Drawing Sheets**



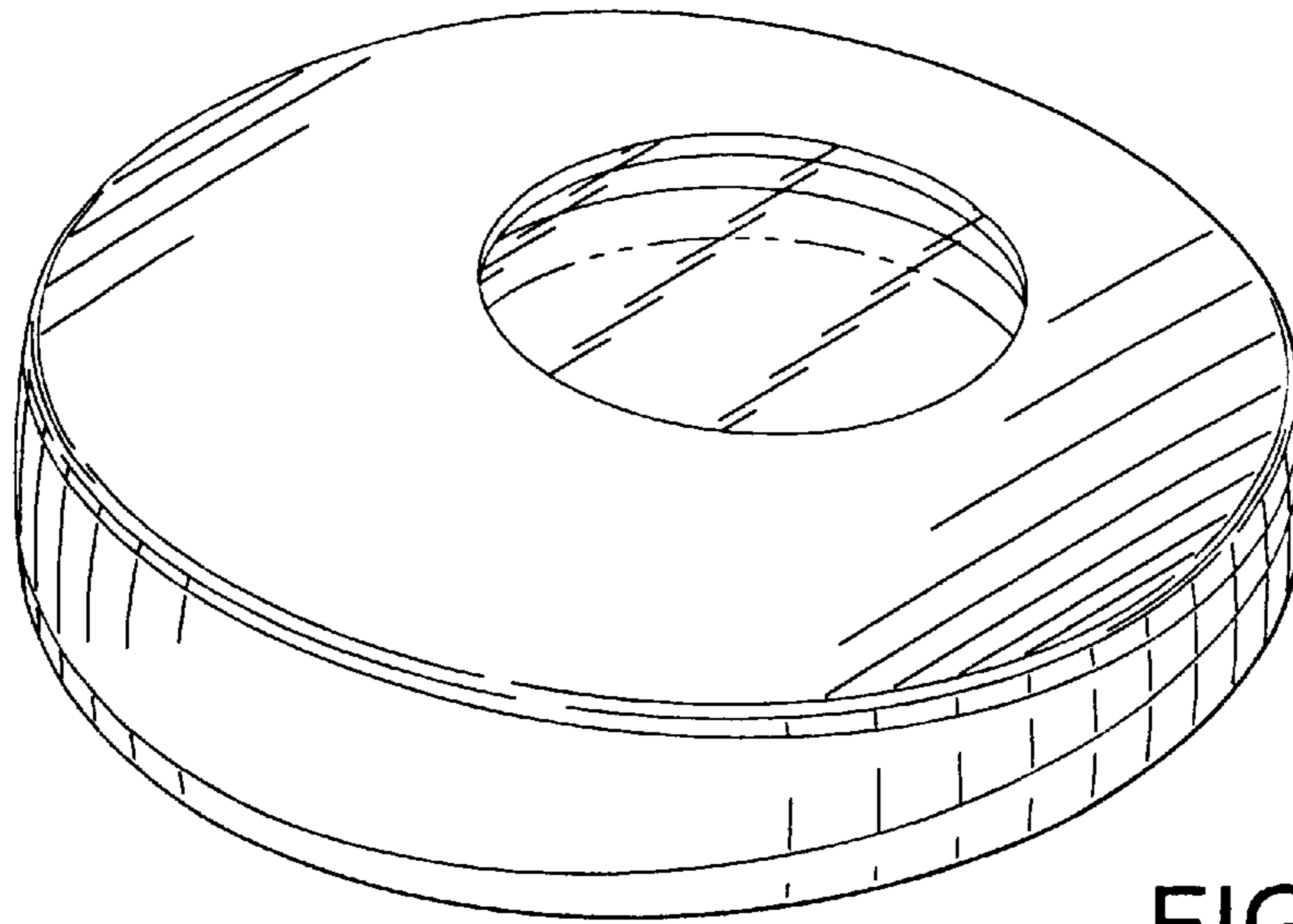


FIG. 1

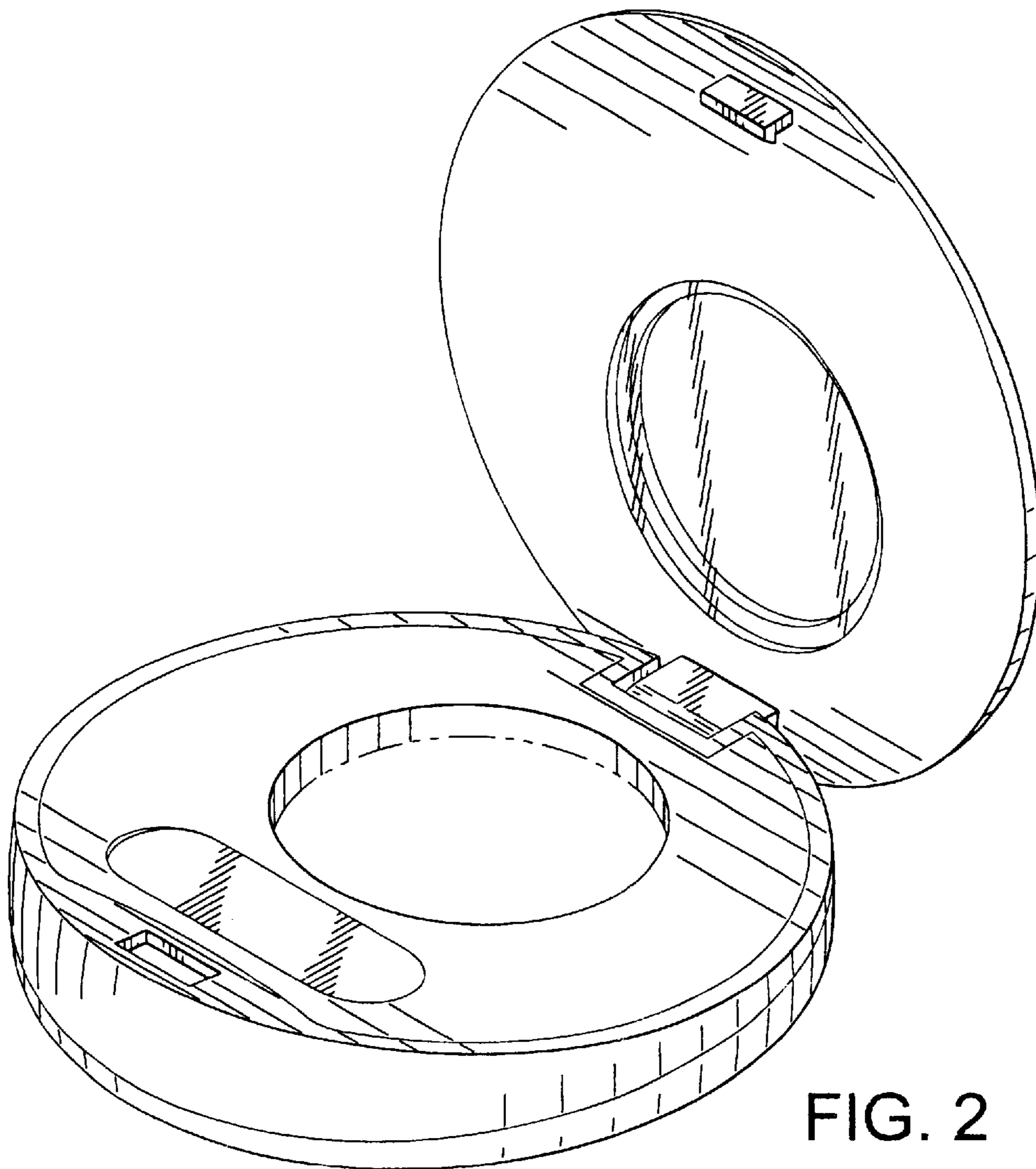


FIG. 2

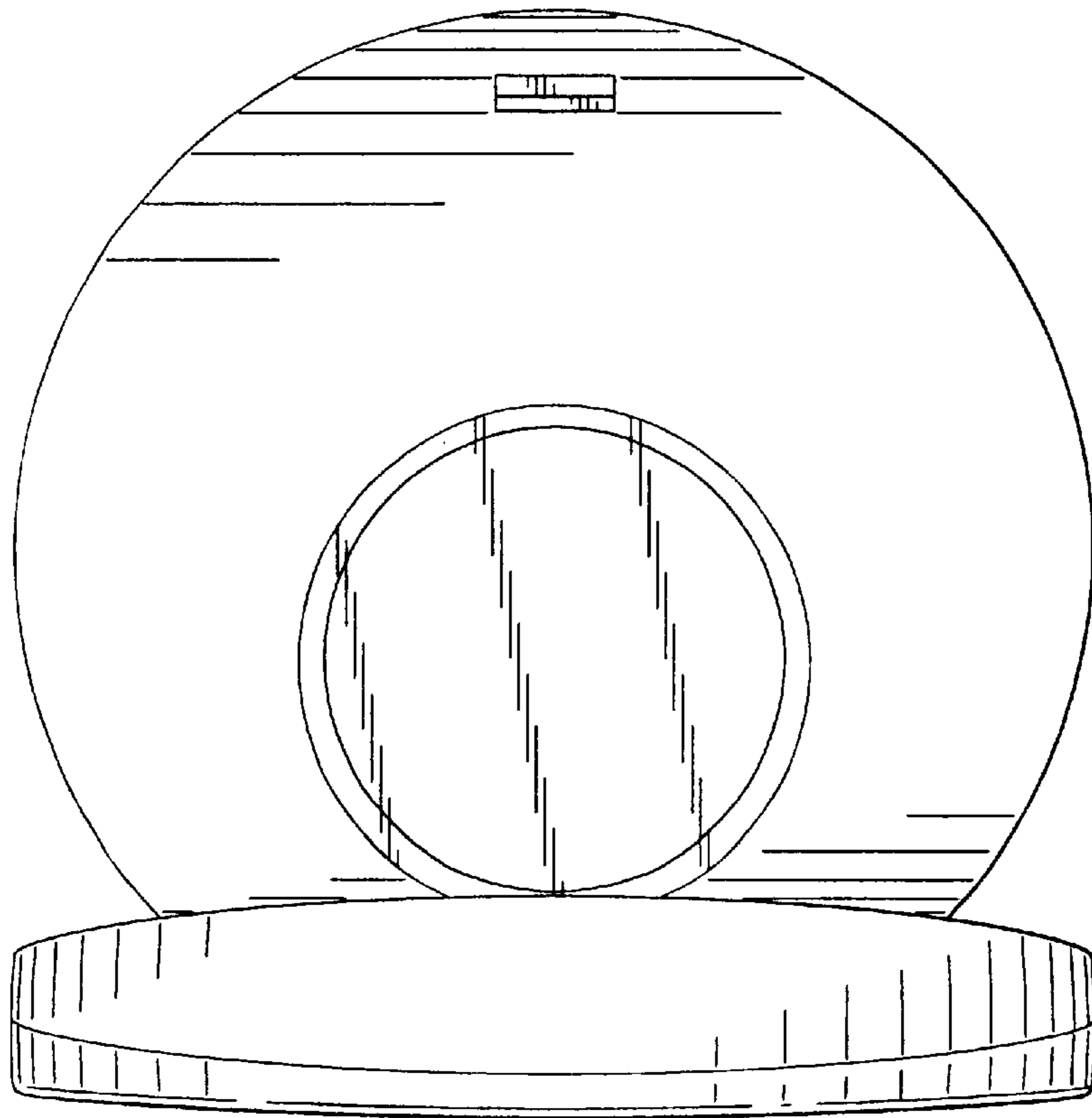


FIG. 3

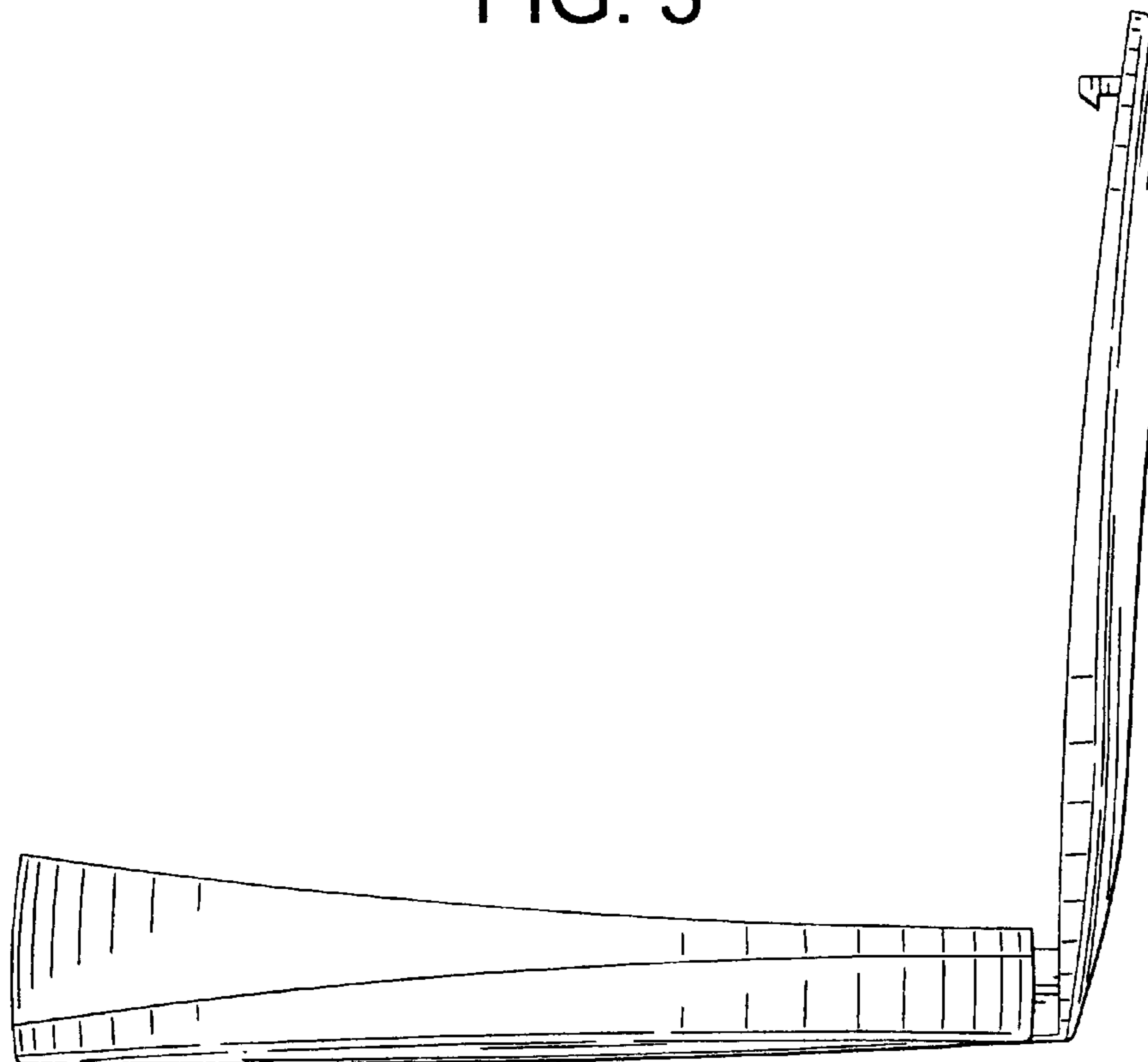


FIG. 4

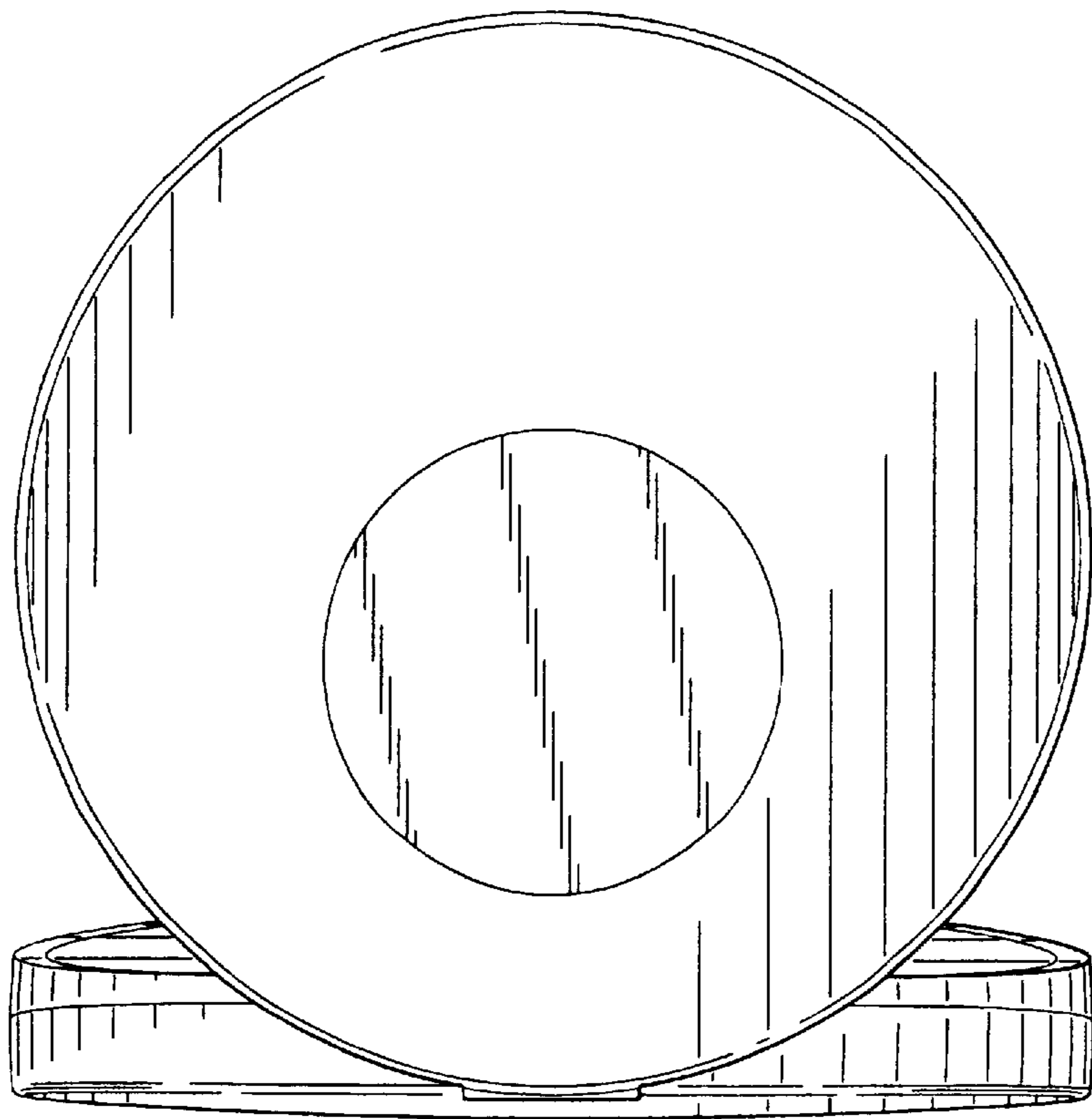


FIG. 5

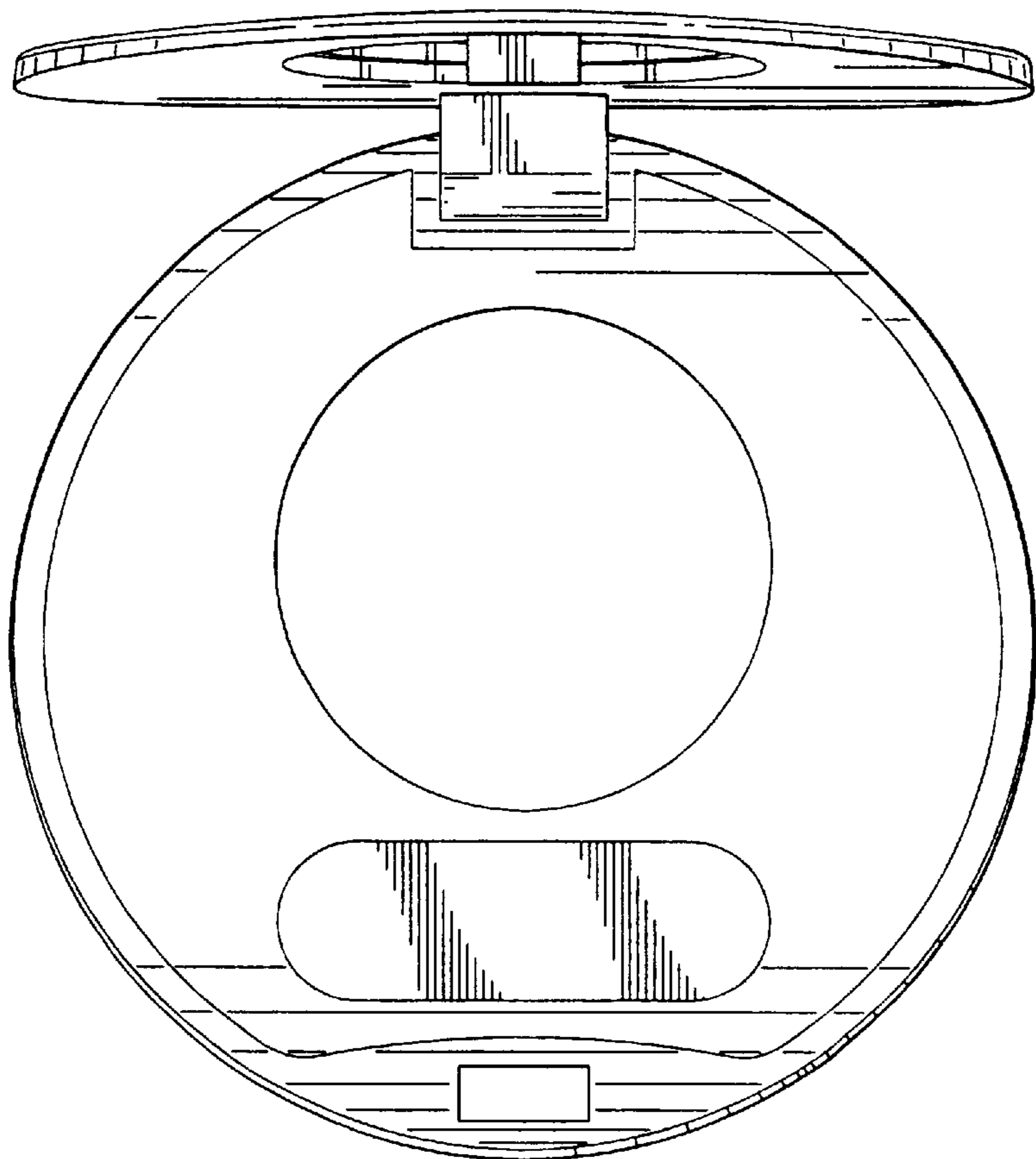


FIG. 6