



US00D530037S

(12) **United States Design Patent**  
**Bucher et al.**

(10) **Patent No.:** **US D530,037 S**

(45) **Date of Patent:** **\*\* Oct. 10, 2006**

(54) **OUTDOOR LAMP**

(75) Inventors: **John C. Bucher**, Ft. Lauderdale, FL (US); **Tien-San Lowe**, Ft. Lauderdale, FL (US); **Shou-Ping Wang**, Taichung (TW)

(73) Assignee: **King of Fans, Inc.**, Ft. Lauderdale, FL (US)

(\*\*) Term: **14 Years**

(21) Appl. No.: **29/245,113**

(22) Filed: **Dec. 20, 2005**

(51) **LOC (8) Cl.** ..... **26-05**

(52) **U.S. Cl.** ..... **D26/67; D26/72**

(58) **Field of Classification Search** ..... D26/67-71, D26/72; D13/102; 362/152, 153, 362, 363, 362/431, 183

See application file for complete search history.

(56) **References Cited**

**U.S. PATENT DOCUMENTS**

D291,926 S \* 9/1987 Schlepp ..... D26/67

4,835,664 A \* 5/1989 Wen ..... 362/183  
D310,268 S \* 8/1990 Shalvi ..... D26/67  
D311,255 S \* 10/1990 Spotts ..... D26/67

\* cited by examiner

*Primary Examiner*—Clare E Heflin

(74) *Attorney, Agent, or Firm*—Morgan, Lewis & Bockius, LLP

(57) **CLAIM**

The ornamental design for an outdoor lamp, as shown and described.

**DESCRIPTION**

FIG. 1 is a perspective view of an outdoor lamp showing our new design;

FIG. 2 is a front elevational view thereof;

FIG. 3 is a rear elevational view thereof;

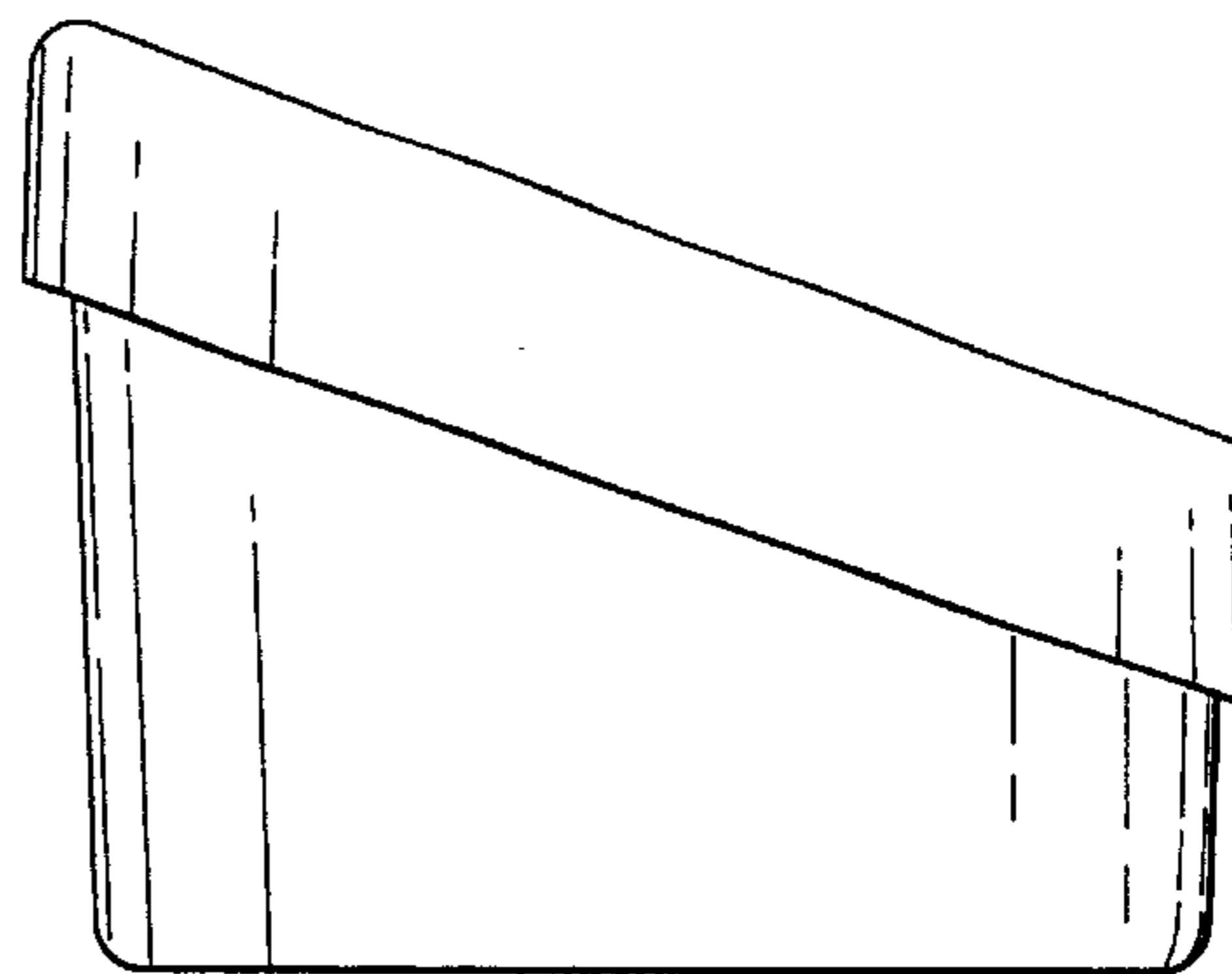
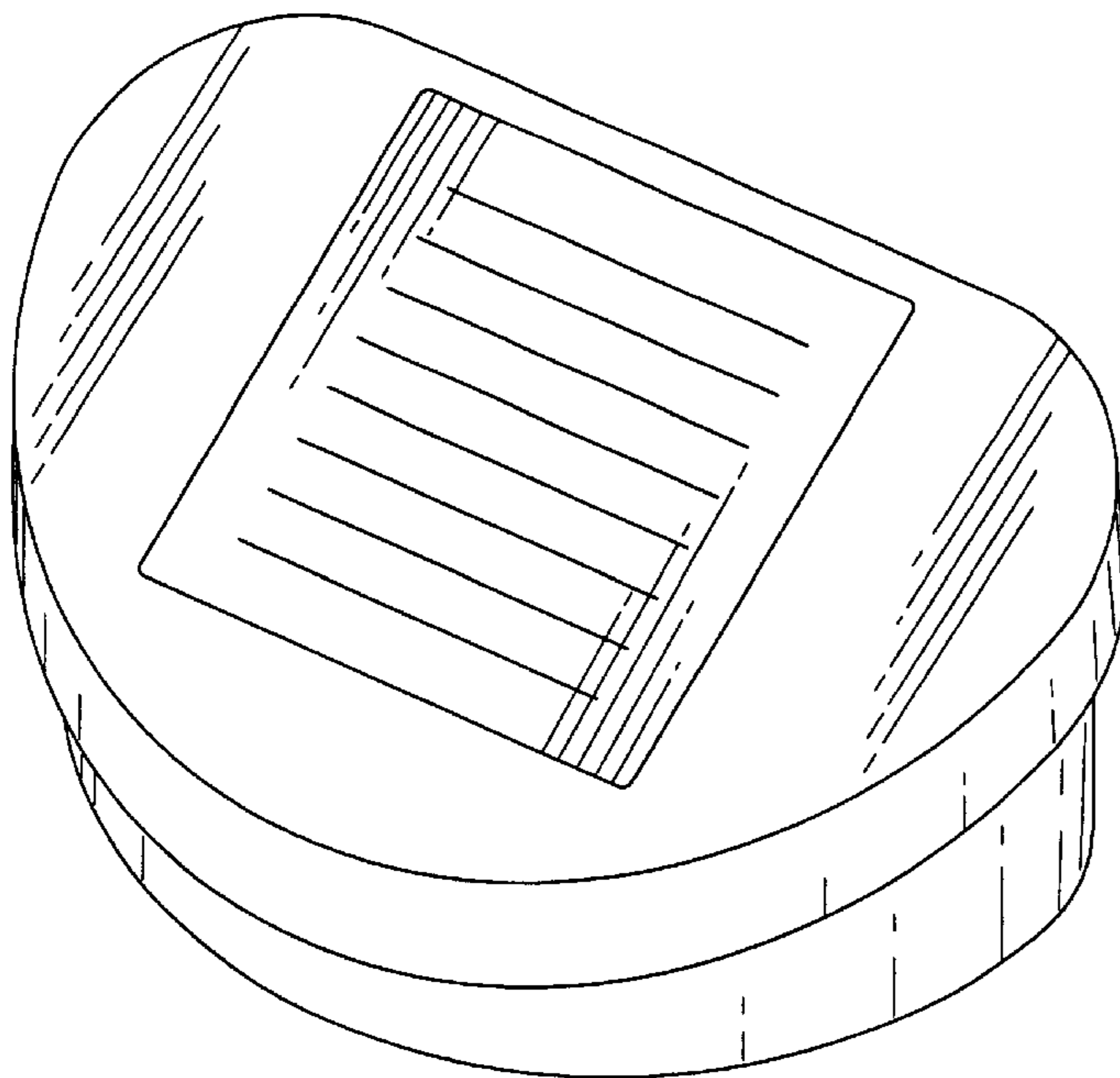
FIG. 4 is a left side elevational view thereof;

FIG. 5 is a right side elevational view thereof;

FIG. 6 is a top plan view thereof; and,

FIG. 7 is a bottom plan view thereof.

**1 Claim, 4 Drawing Sheets**



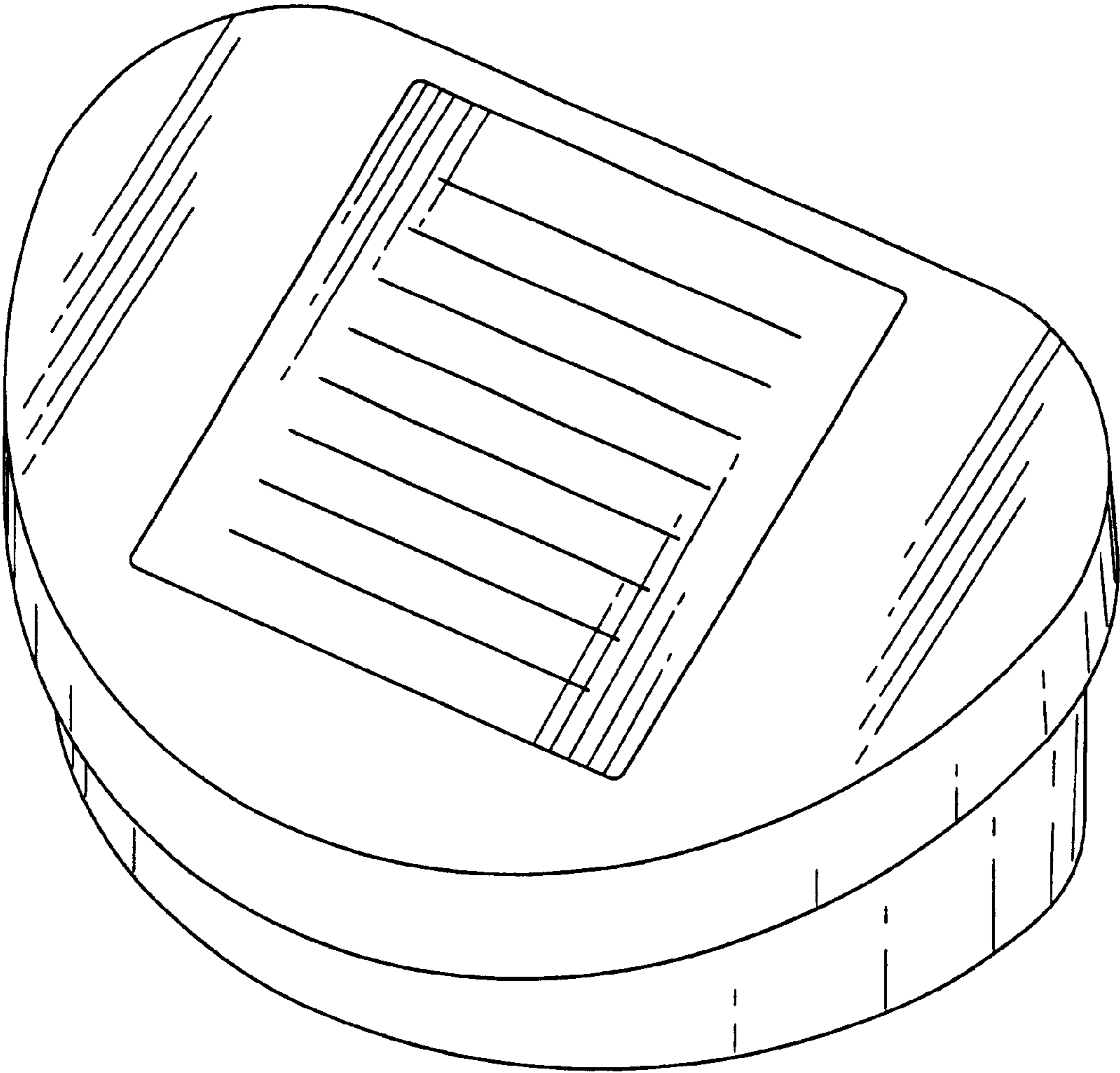


FIG. 1

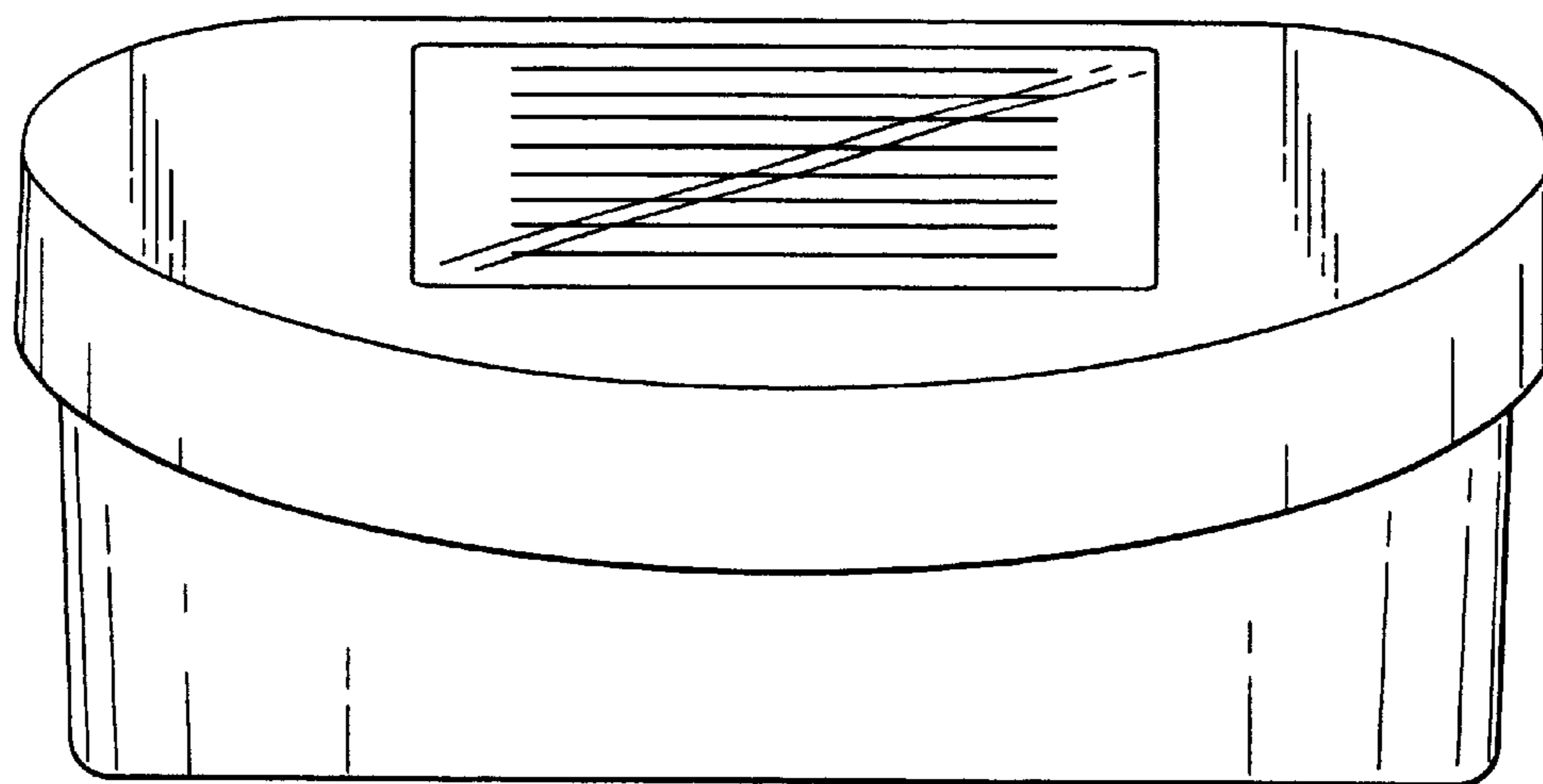


FIG. 2

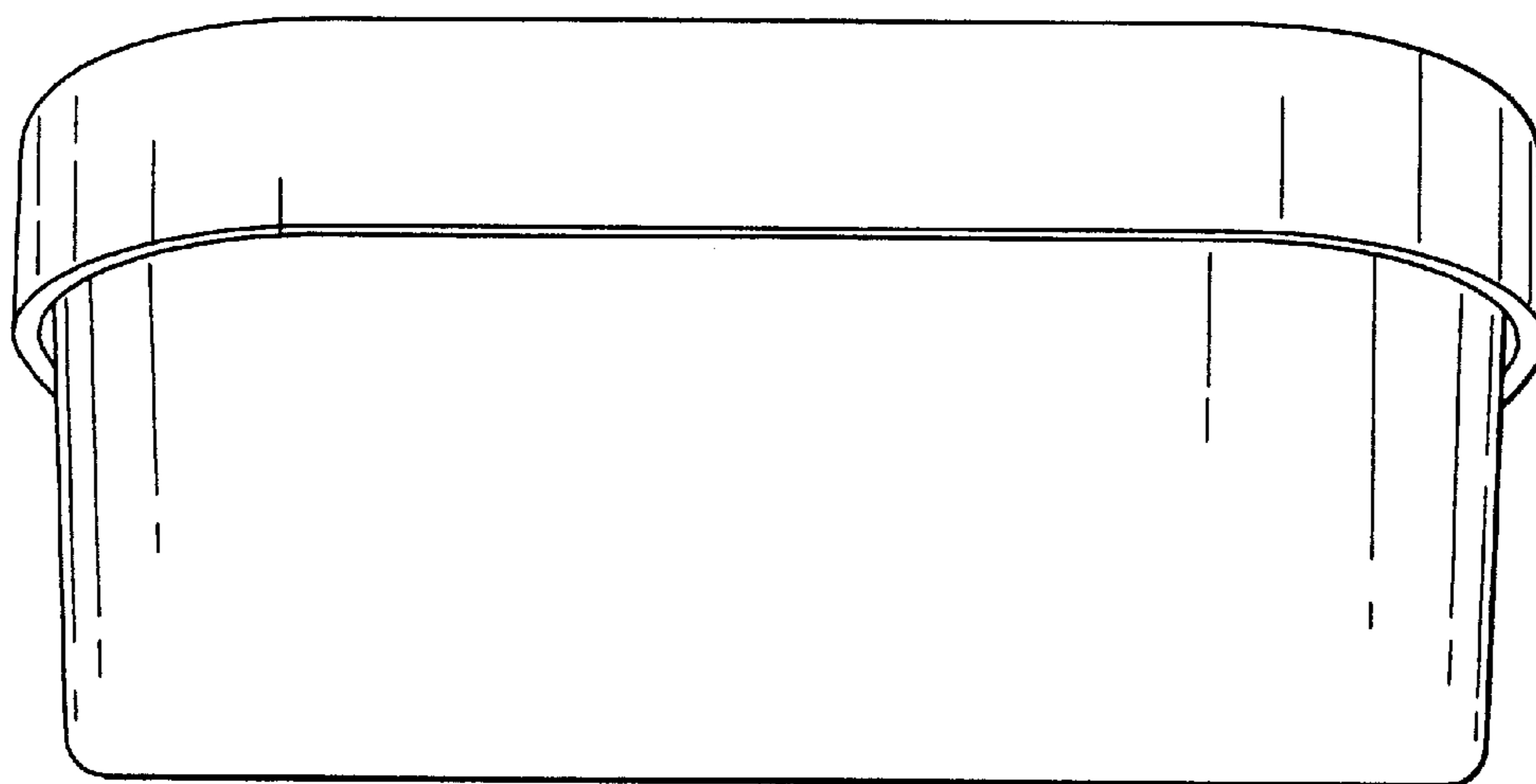


FIG. 3

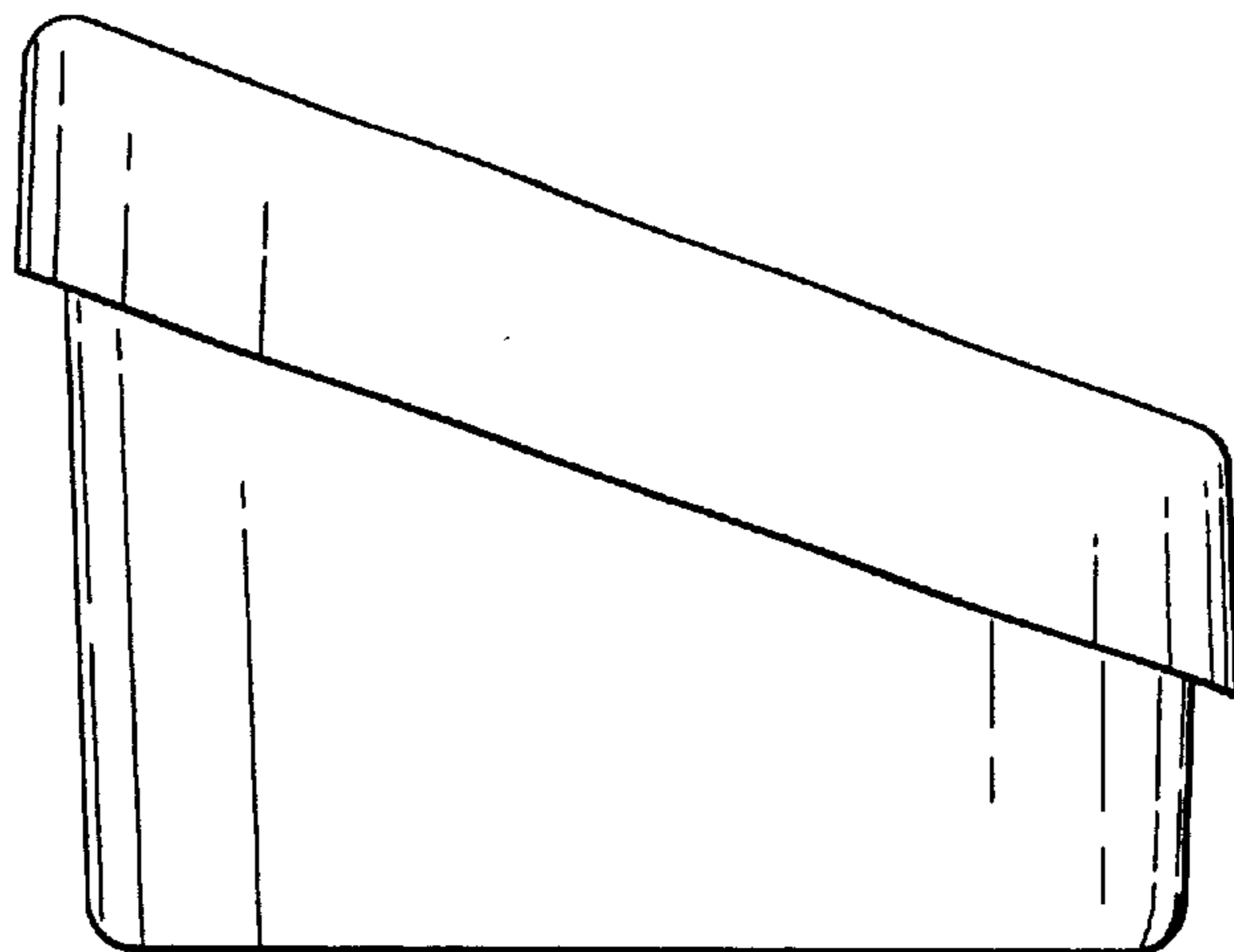


FIG. 4

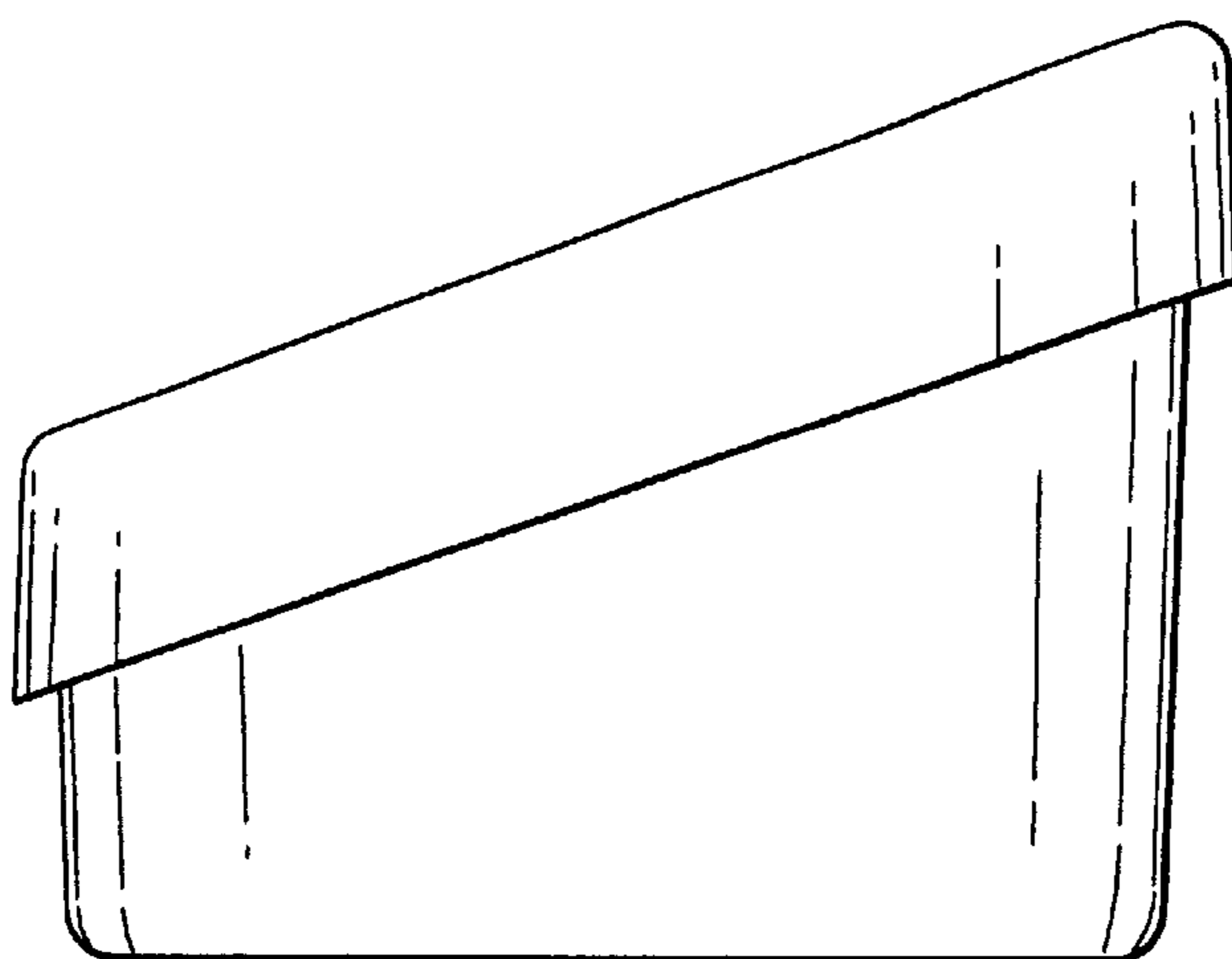


FIG. 5

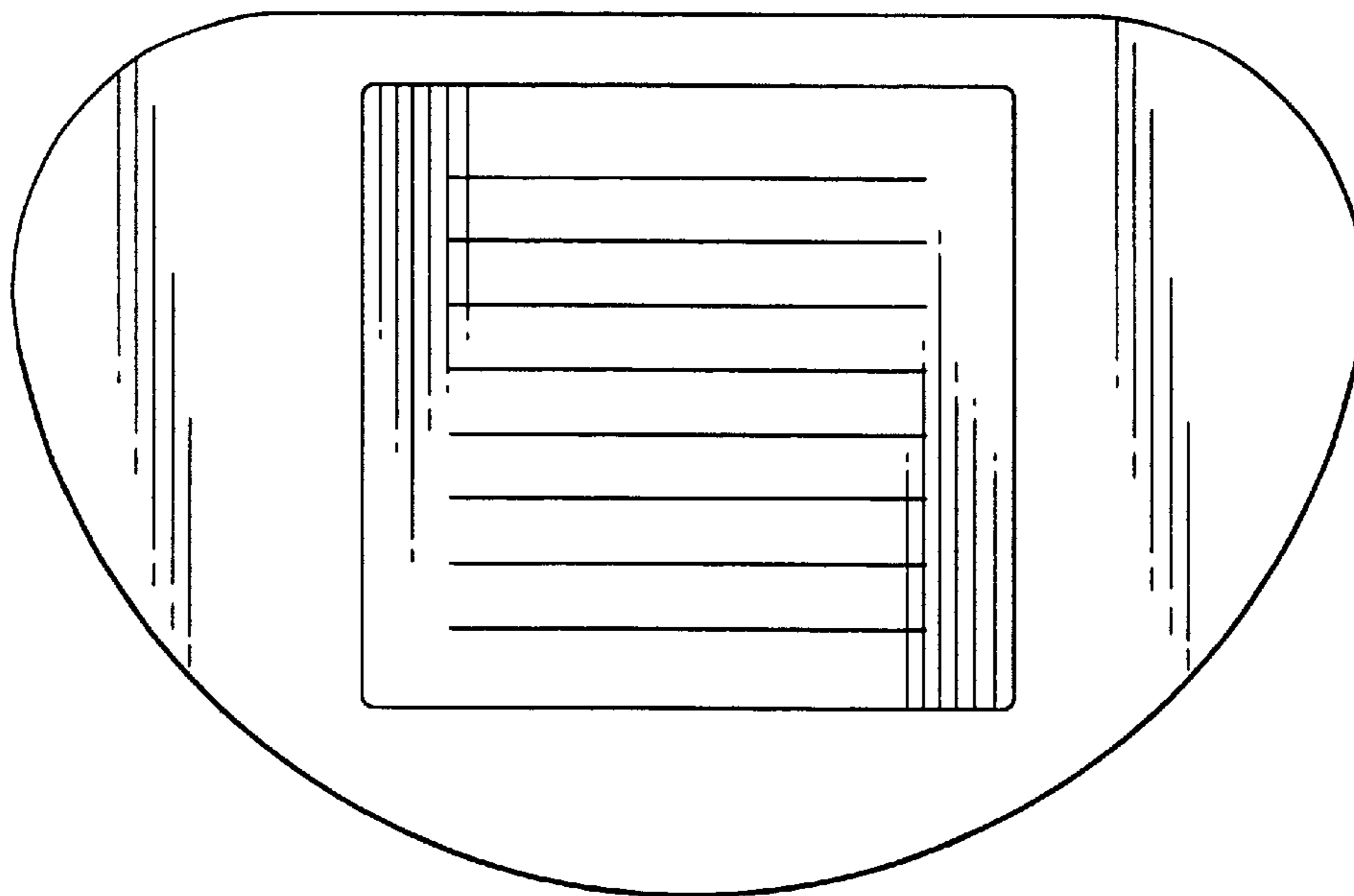


FIG. 6

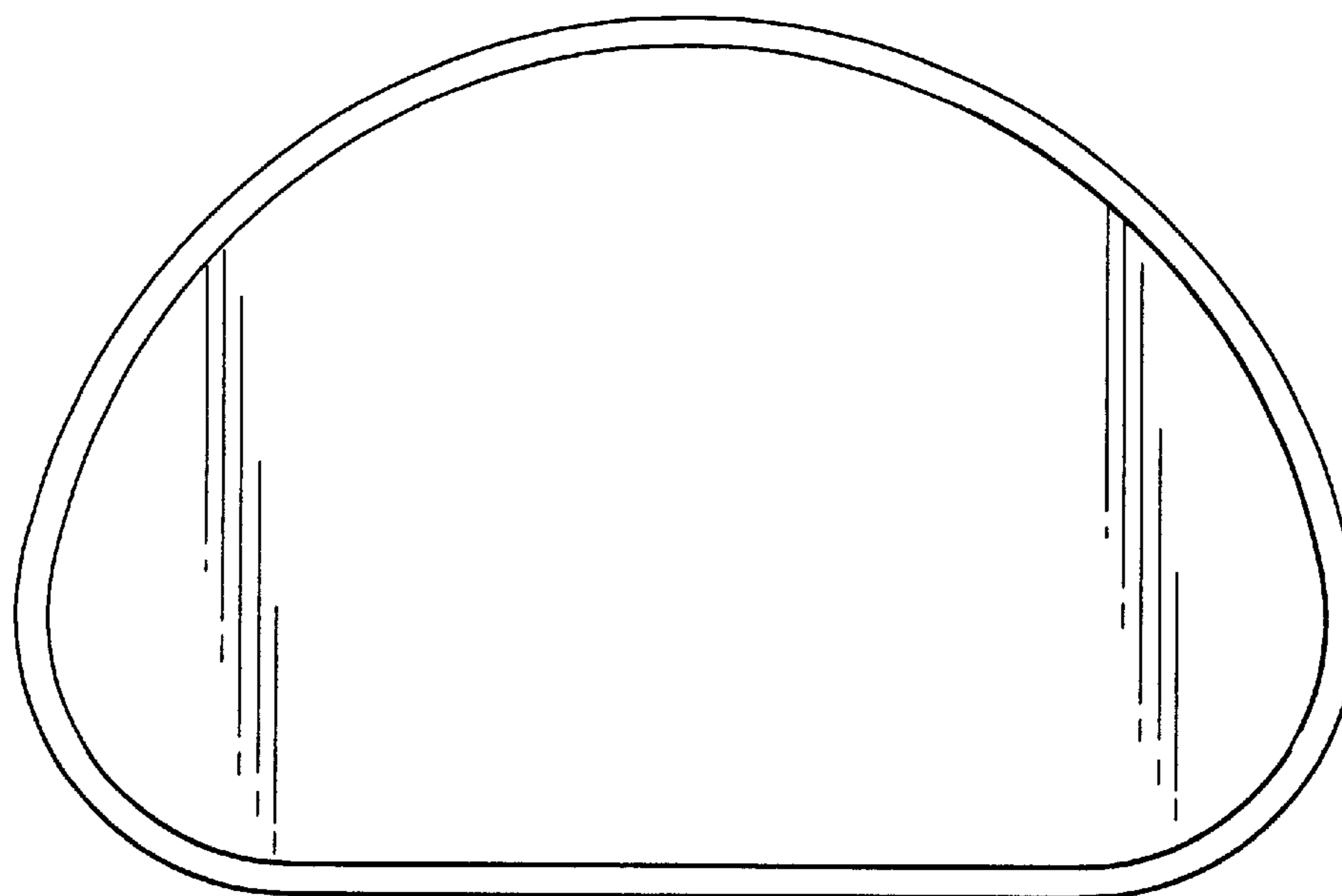


FIG. 7