

US00D530034S

(12) **United States Design Patent**
Hon et al.

(10) **Patent No.:** **US D530,034 S**
(45) **Date of Patent:** **** Oct. 10, 2006**

(54) **SOLAR POWERED OUTDOOR LIGHT**

(75) Inventors: **Siu Cheong Hon**, Tseung Kwan O,
N.T. (HK); **Brian Wood**, McKinney,
TX (US)

(73) Assignee: **The Brinkmann Corporation**, Dallas,
TX (US)

(**) **Term:** **14 Years**

(21) **Appl. No.:** **29/225,076**

(22) **Filed:** **Mar. 8, 2005**

(51) **LOC (8) Cl.** **26-05**

(52) **U.S. Cl.** **D26/67**

(58) **Field of Classification Search** D26/67-71;
362/152, 183, 431, 410-415
See application file for complete search history.

(56) **References Cited**

U.S. PATENT DOCUMENTS

D46,955 S	*	2/1915	Mohr	D26/67
D47,218 S	*	4/1915	Bouchery	D26/67
D153,809 S	*	5/1949	Kirk	D26/67
D179,337 S		12/1956	Brown	D48/31
D196,981 S	*	11/1963	Pettengill	D26/67
D197,381 S		1/1964	Muller	D48/31
D198,639 S	*	7/1964	Atkin et al.	D26/67
D208,719 S		9/1967	de Vos	D48/31
D329,099 S		9/1992	Hall et al.	D26/67
D330,777 S		11/1992	Hall et al.	D26/68
D452,028 S		12/2001	Lee	D26/67
D464,456 S		10/2002	Chang	D26/67

D499,831 S	12/2004	Chen	D26/68
D499,832 S	12/2004	Chen	D26/68
D500,158 S	12/2004	Chen	D26/67
D500,159 S	12/2004	Chen	D26/68
D500,381 S	12/2004	Chen	D26/68

OTHER PUBLICATIONS

Hadco Nightlife Landscape Lighting Catalog, 1988 (6 pgs.).
Intermatic Malibu Deck Lights Catalog, 1988 (4 pgs.).
CENS Lighting Catalog, Jul. 2002 (1 pg.).
Catalog, brochure or magazine excerpt displaying "Gemini"
502 and 503 lights, title and date unknown (1 pg.)

* cited by examiner

Primary Examiner—Clare E Heflin

(74) *Attorney, Agent, or Firm*—Sheppard Mullin Richter &
Hampton LLP

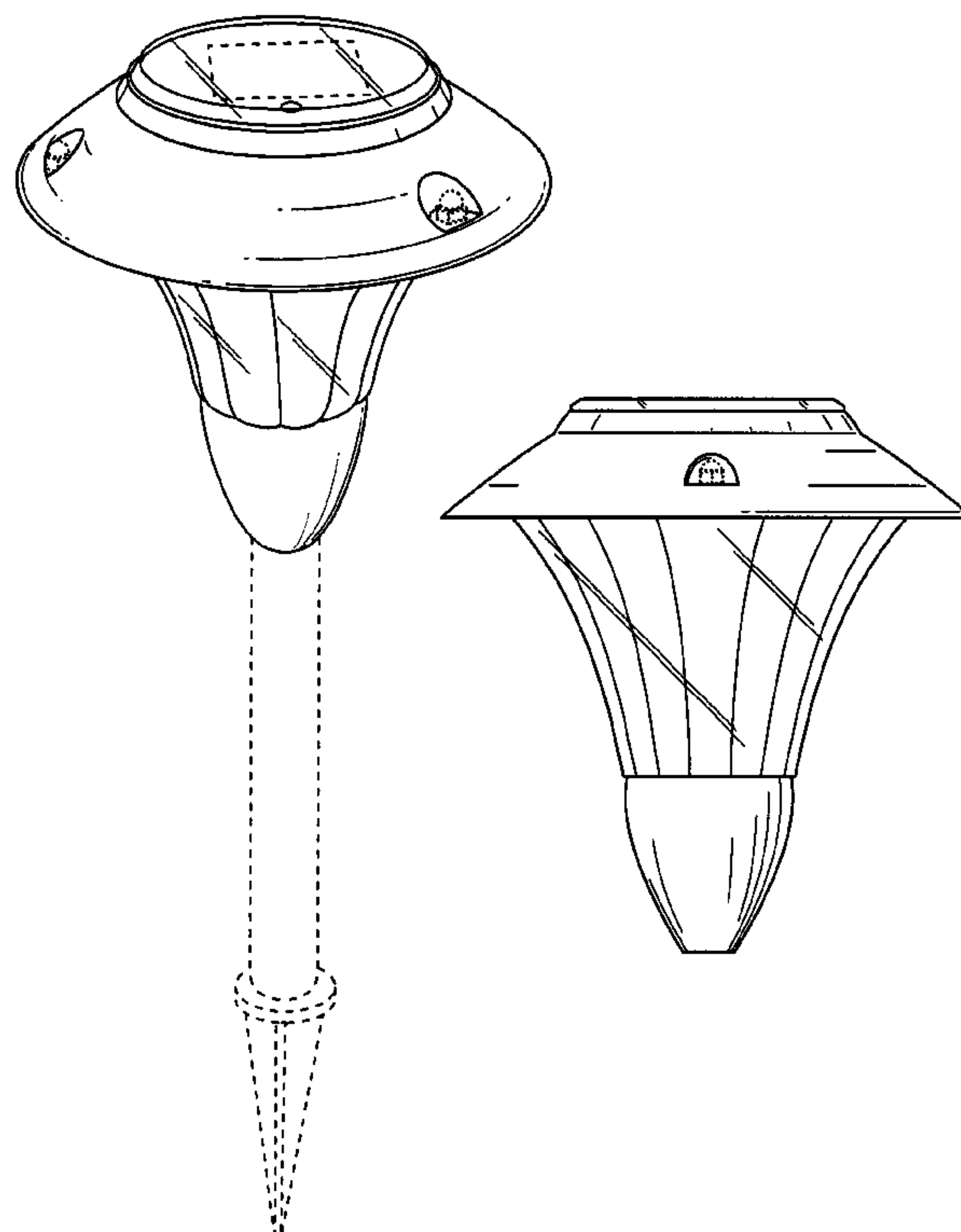
(57) **CLAIM**

We claim the ornamental design for a solar powered outdoor
light, as shown and described.

DESCRIPTION

FIG. 1 is a perspective view of the solar powered outdoor
light showing the new design;
FIG. 2 is a right side elevational view thereof;
FIG. 3 is a left side elevational view thereof;
FIG. 4 is a front elevational view thereof;
FIG. 5 is a top plan view thereof; and,
FIG. 6 is a bottom plan view thereof.
The dotted lines are for illustrative purposes only and form
no part of the claimed design.

1 Claim, 4 Drawing Sheets



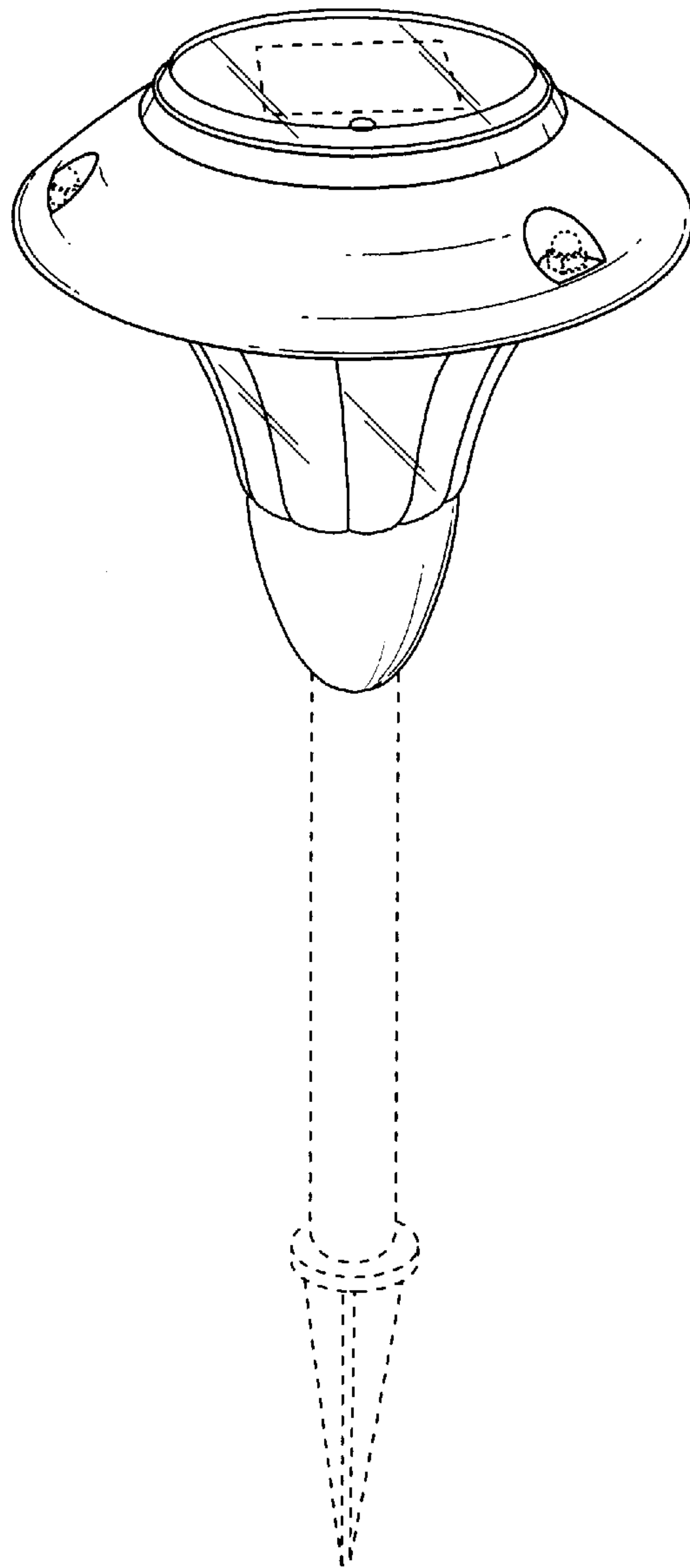


FIG. 1

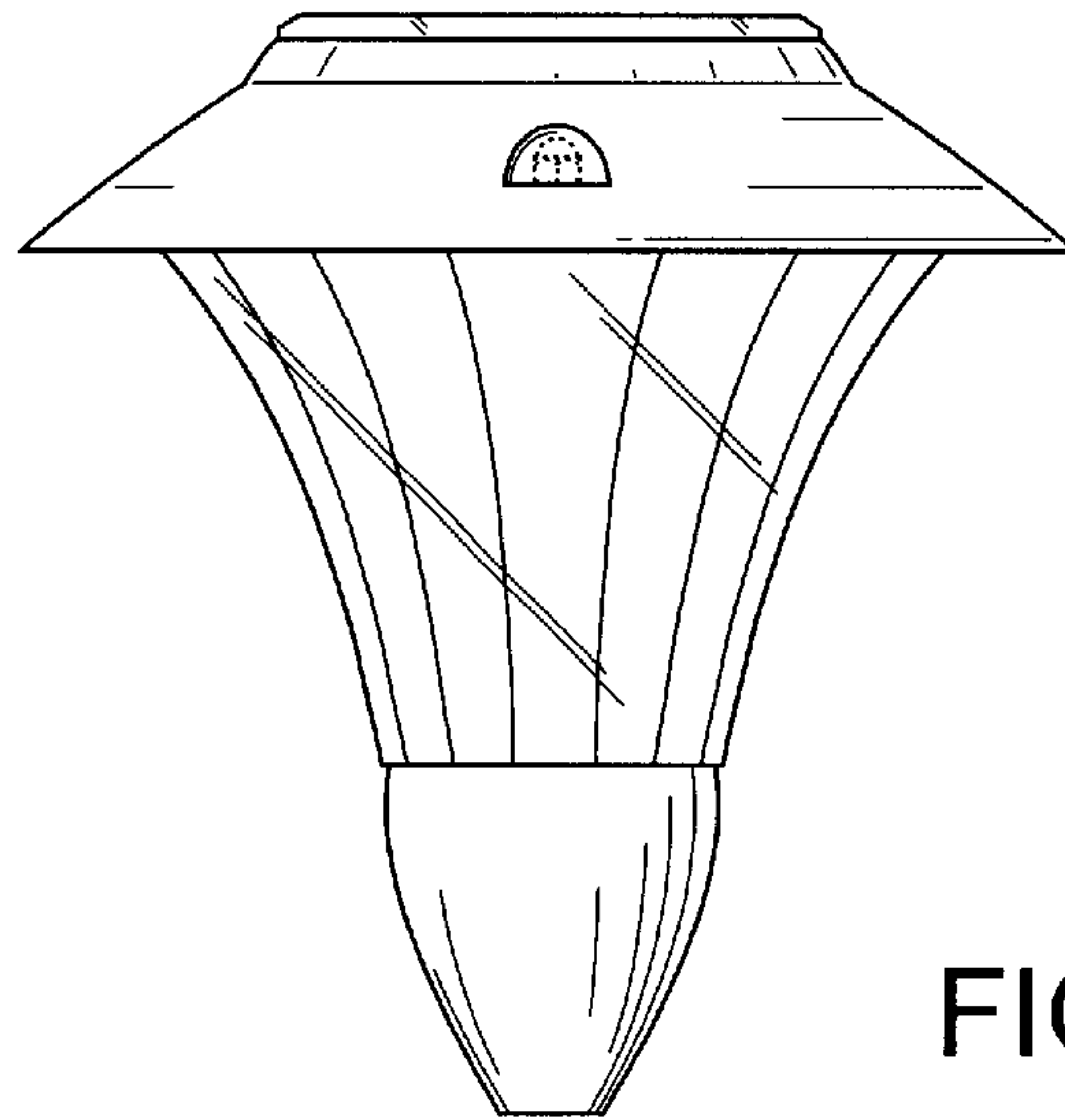


FIG. 2

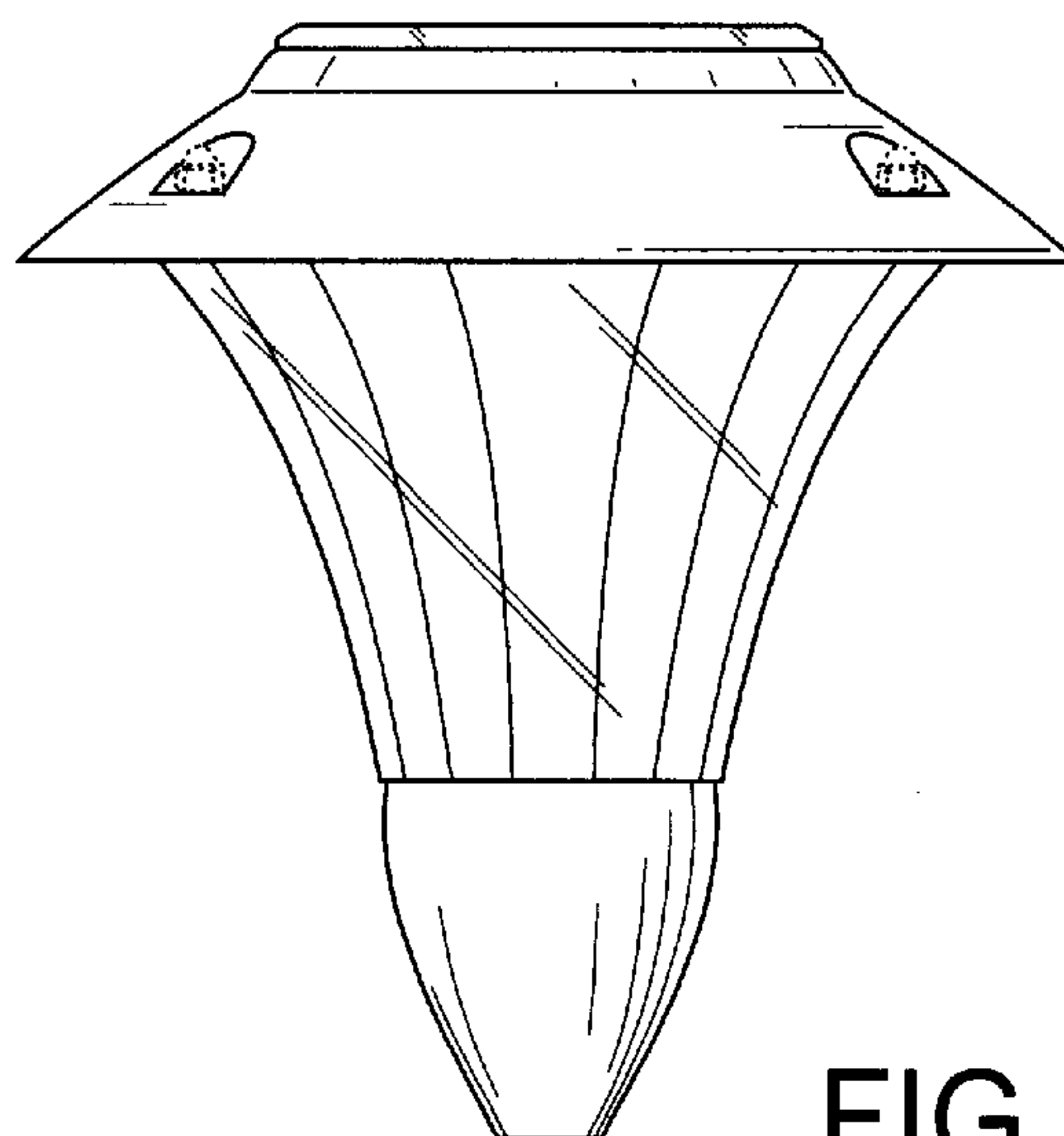


FIG. 3

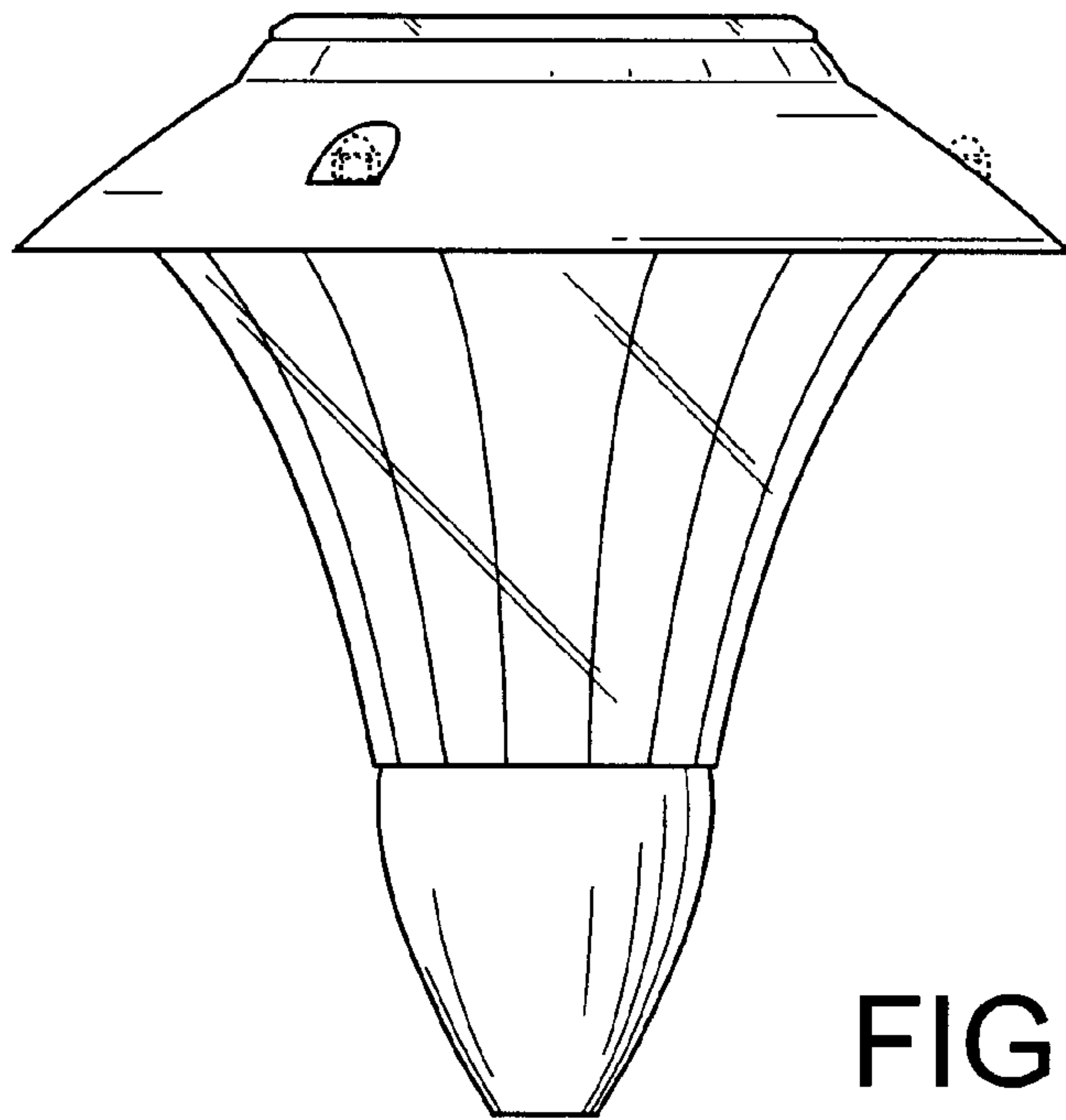


FIG. 4

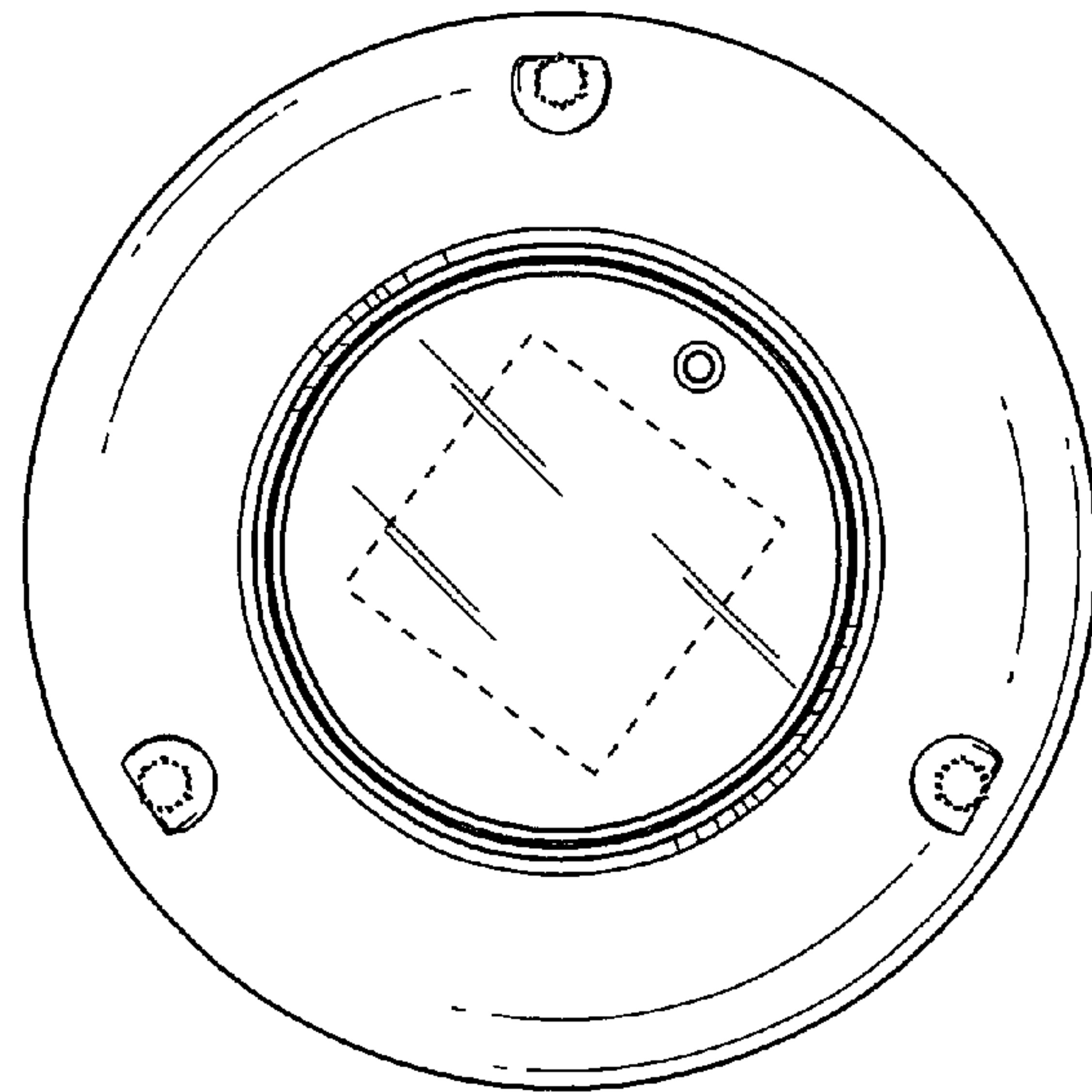


FIG. 5

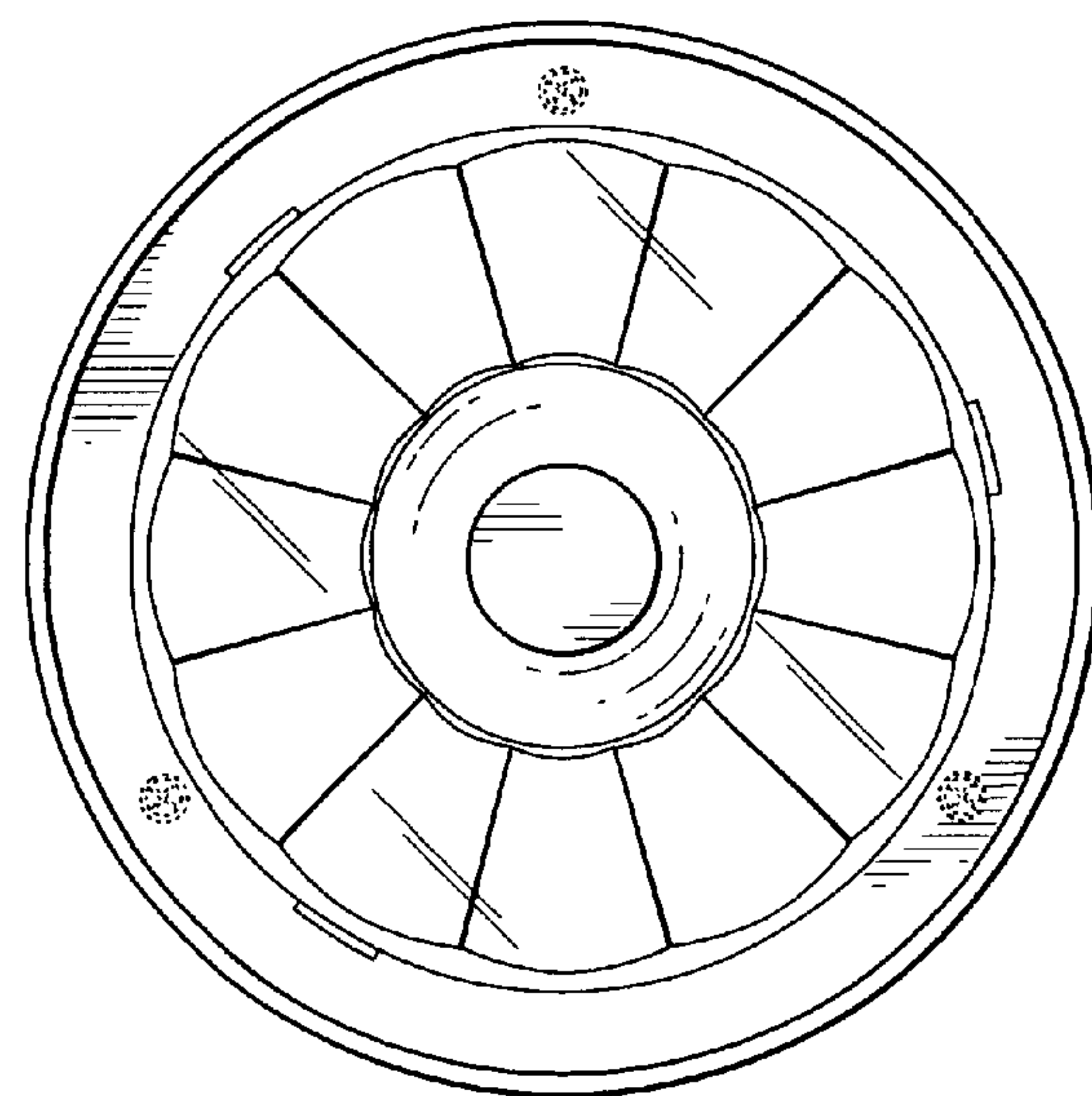


FIG. 6