



US00D530033S

(12) **United States Design Patent**
Izardel

(10) **Patent No.:** **US D530,033 S**

(45) **Date of Patent:** **** Oct. 10, 2006**

(54) **PATHWAY LIGHT**

(75) Inventor: **Lazar Izardel**, Tel-Aviv (IL)

(73) Assignee: **Gama Sonic USA, Inc.**, Atlanta, GA
(US)

(**) Term: **14 Years**

(21) Appl. No.: **29/215,596**

(22) Filed: **Oct. 20, 2004**

(51) **LOC (8) Cl.** **26-05**

(52) **U.S. Cl.** **D26/67**

(58) **Field of Classification Search** D26/67-71,
D26/113, 61, 63, 65; D13/102; 362/183,
362/153, 285, 287, 288, 362, 363, 431, 427;
126/589, 704; 136/251

See application file for complete search history.

(56) **References Cited**

U.S. PATENT DOCUMENTS

- D187,616 S * 4/1960 Husby et al. D26/71
- D252,234 S * 6/1979 Asaki D26/71
- D315,928 S * 4/1991 Flieder D26/67

- D404,165 S * 1/1999 Vakil D26/85
- D474,444 S * 5/2003 Elgner D13/102
- 6,568,836 B1 * 5/2003 Wahl 362/285

* cited by examiner

Primary Examiner—Clare E Heflin

(74) *Attorney, Agent, or Firm*—Lackenbach Siegel LLP

(57) **CLAIM**

The ornamental design for a pathway light, as shown and described.

DESCRIPTION

The present invention is a lighting unit for use alone or in conjunction with stakes for insertion in a restraining medium.

FIG. 1 is a perspective top view of the lighting unit.

FIG. 2 is a top view of the lighting unit in FIG. 1.

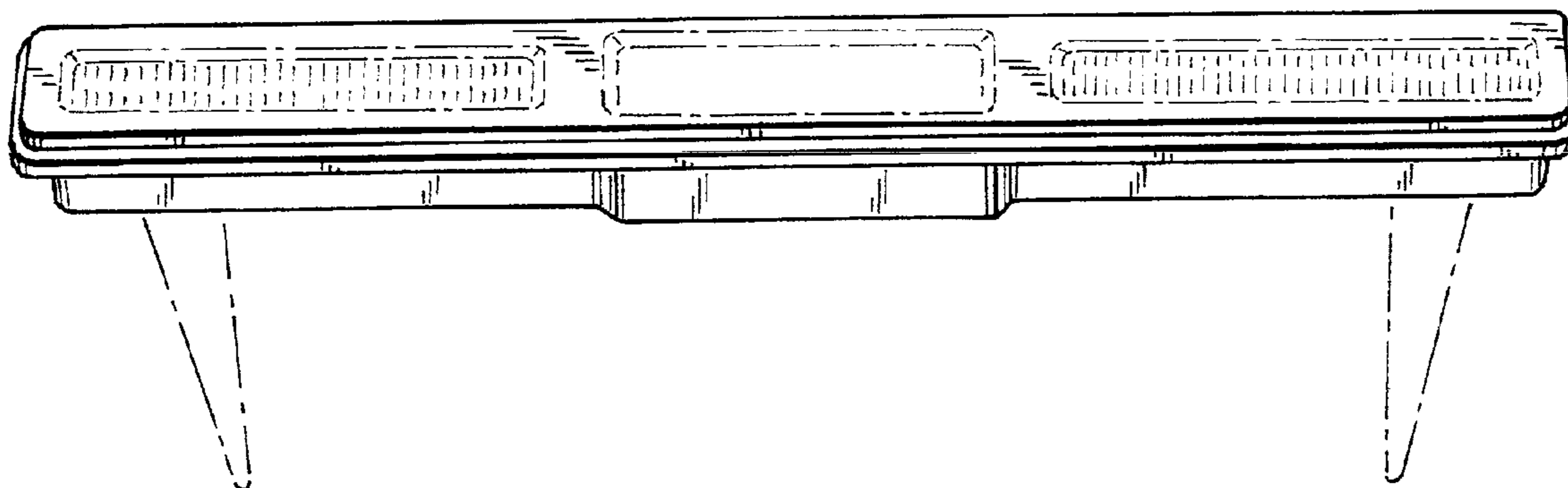
FIG. 3 is a left side view of the lighting unit in FIG. 1.

FIG. 4 is an end view of the lighting unit in FIG. 1; and,

FIG. 5 is a bottom view of the lighting unit in FIG. 1.

The broken lines shown on the drawings are for illustrative purposes only and form no part of the claimed design.

1 Claim, 2 Drawing Sheets



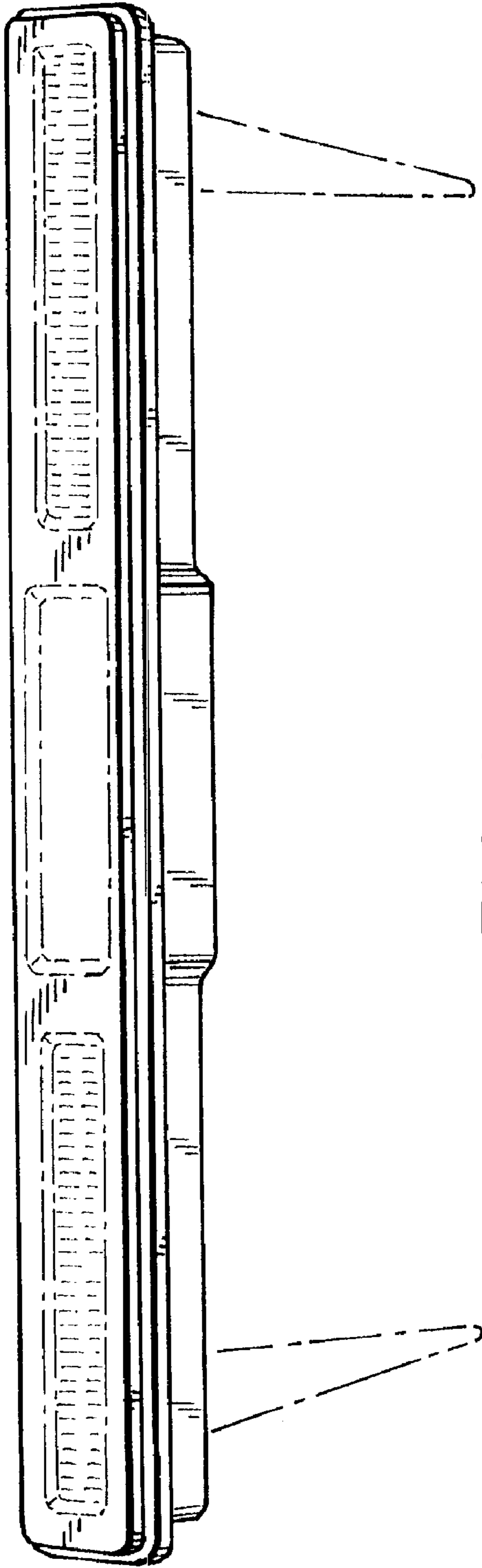


FIG. 1

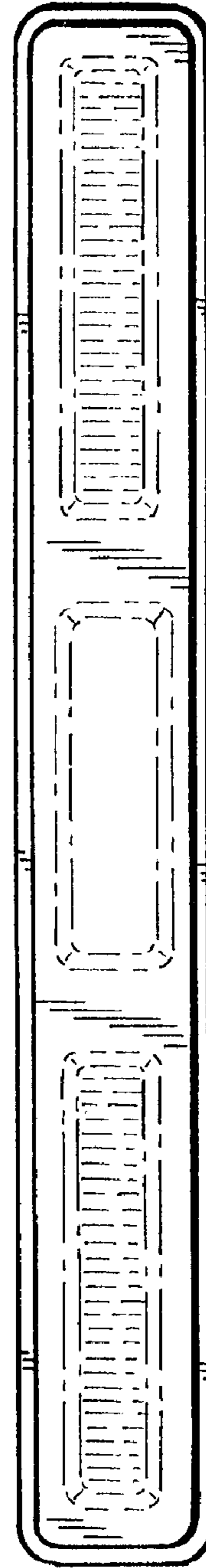


FIG. 2

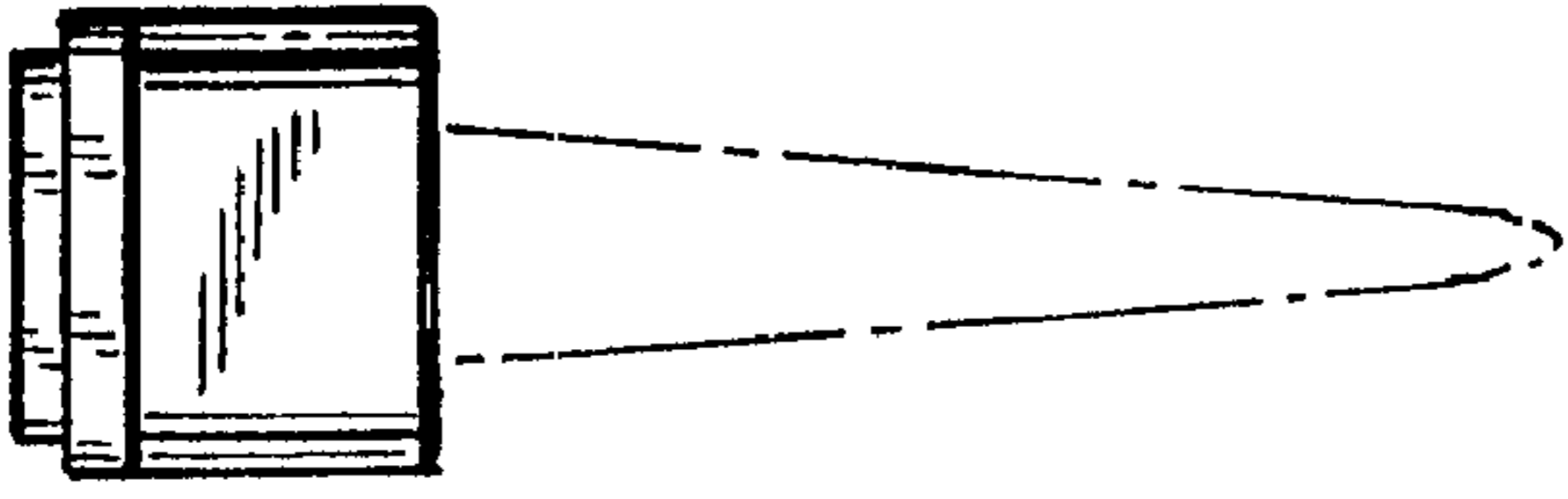


FIG. 4

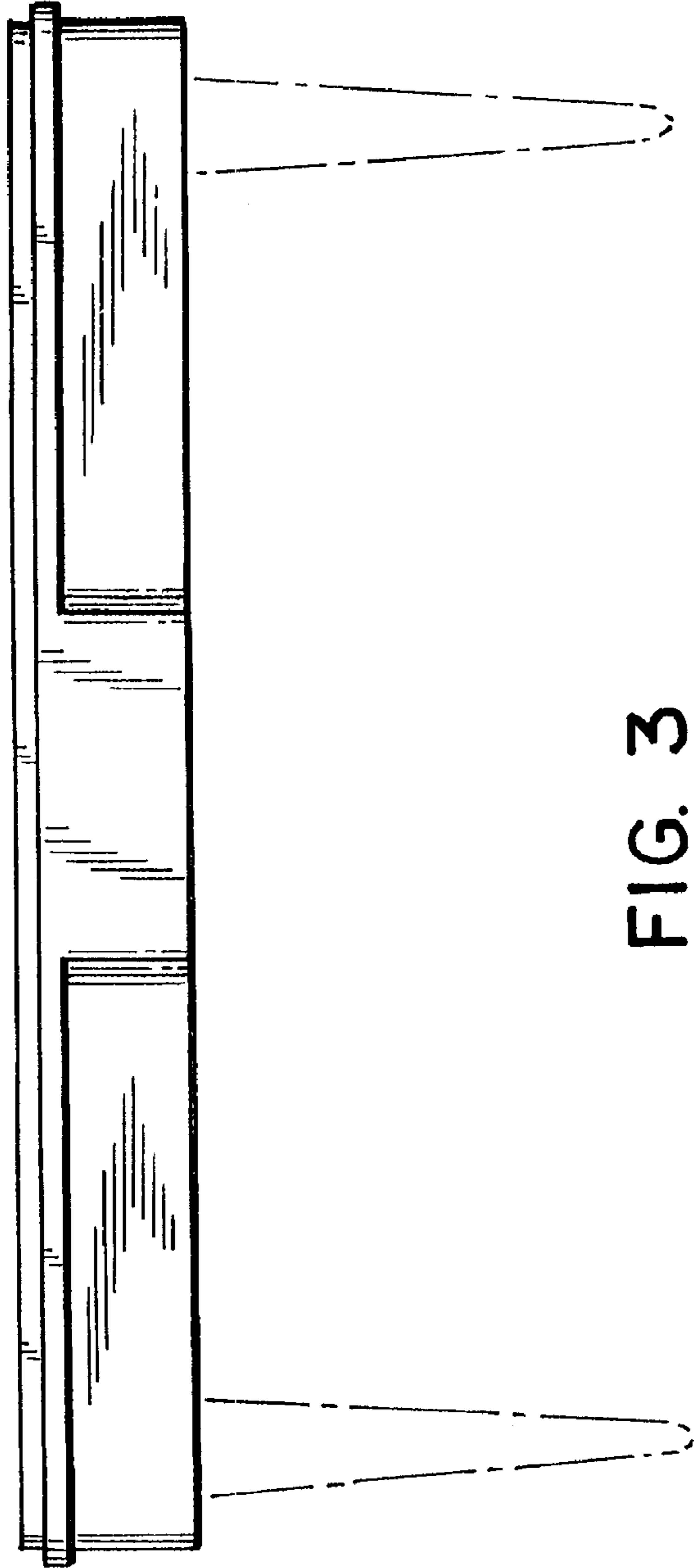


FIG. 3

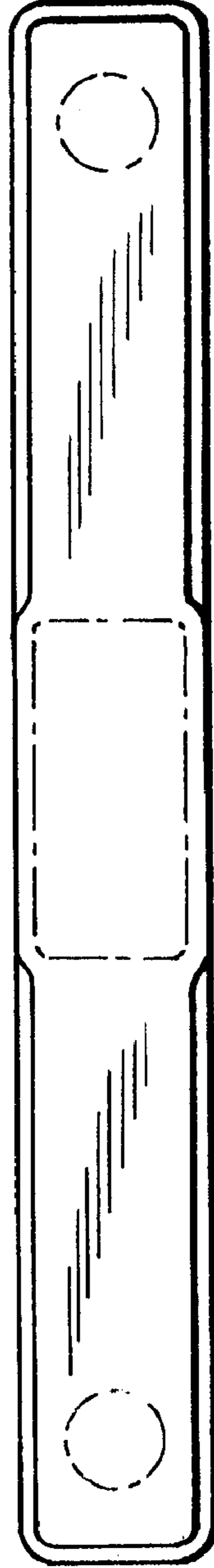


FIG. 5