



US00D530031S

(12) **United States Design Patent**  
**Kung**

(10) **Patent No.:** **US D530,031 S**

(45) **Date of Patent:** **\*\* Oct. 10, 2006**

(54) **ELECTRIC TORCH**

(75) Inventor: **Kenneth Kung**, Hong Kong (CN)

(73) Assignees: **Tung Fat Industries Limited** (HK);  
**Dorcy International Inc.**

(\*\*) Term: **14 Years**

(21) Appl. No.: **29/234,721**

(22) Filed: **Jul. 22, 2005**

(51) **LOC (8) Cl.** ..... **26-02**

(52) **U.S. Cl.** ..... **D26/37**

(58) **Field of Classification Search** ..... D26/37-50;  
362/157, 158, 171-174, 183-208

See application file for complete search history.

(56) **References Cited**

**U.S. PATENT DOCUMENTS**

D476,437 S \* 6/2003 Dalton et al. .... D26/37  
D486,256 S \* 2/2004 Yuen ..... D26/37

D494,691 S \* 8/2004 Lee ..... D26/37  
D494,694 S \* 8/2004 Krieger et al. .... D26/37  
D501,267 S \* 1/2005 Kung ..... D26/37

\* cited by examiner

*Primary Examiner*—Marcus A. Jackson

(57) **CLAIM**

The ornamental design for an electric torch, as shown.

**DESCRIPTION**

The claimed electric torch is used for supplying illumination.

FIG. 1 is a front elevational view of an electric torch showing my new design;

FIG. 2 is a rear elevational view thereof;

FIG. 3 is a left side view thereof;

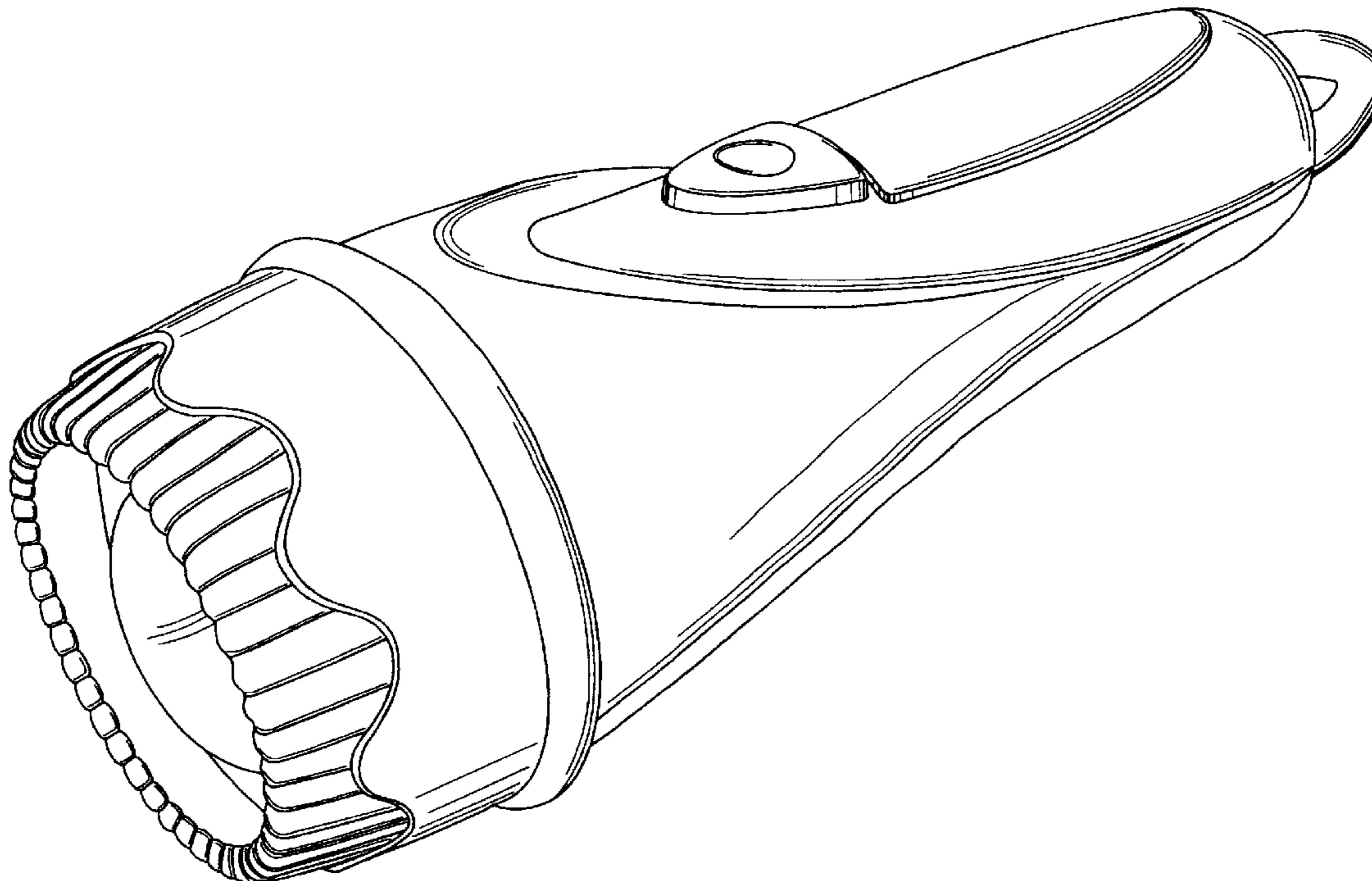
FIG. 4 is a right side view thereof;

FIG. 5 is a top plan view thereof;

FIG. 6 is a bottom plan view thereof; and,

FIG. 7 is a perspective view thereof.

**1 Claim, 3 Drawing Sheets**



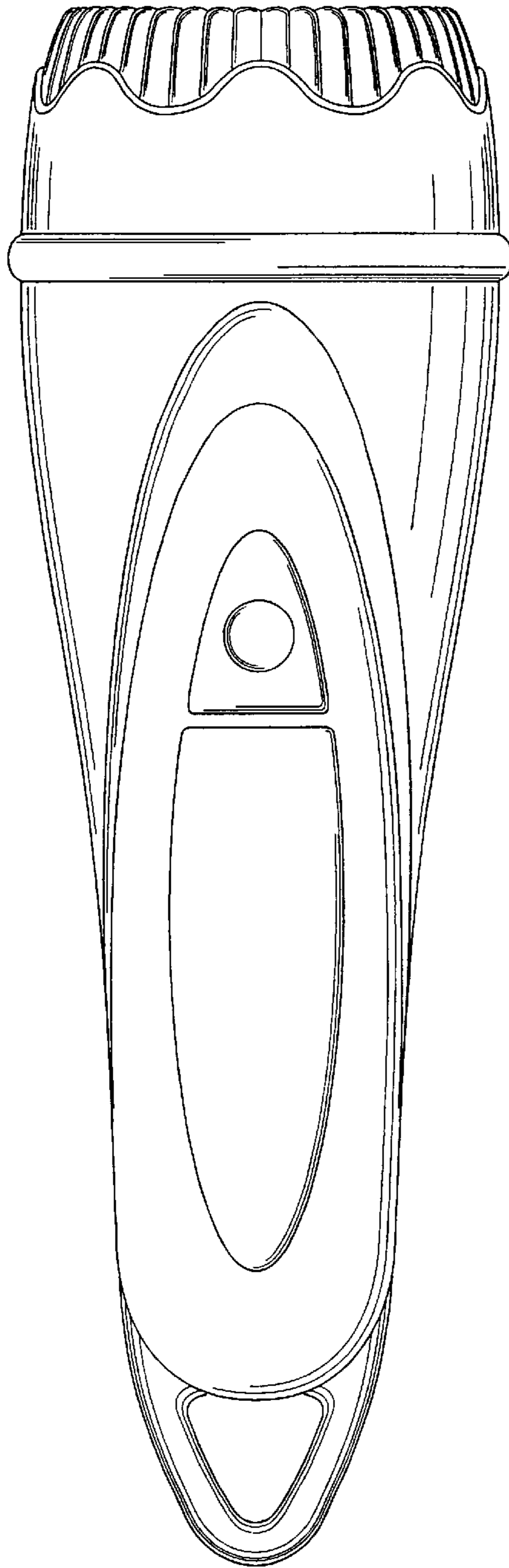


FIG. 1

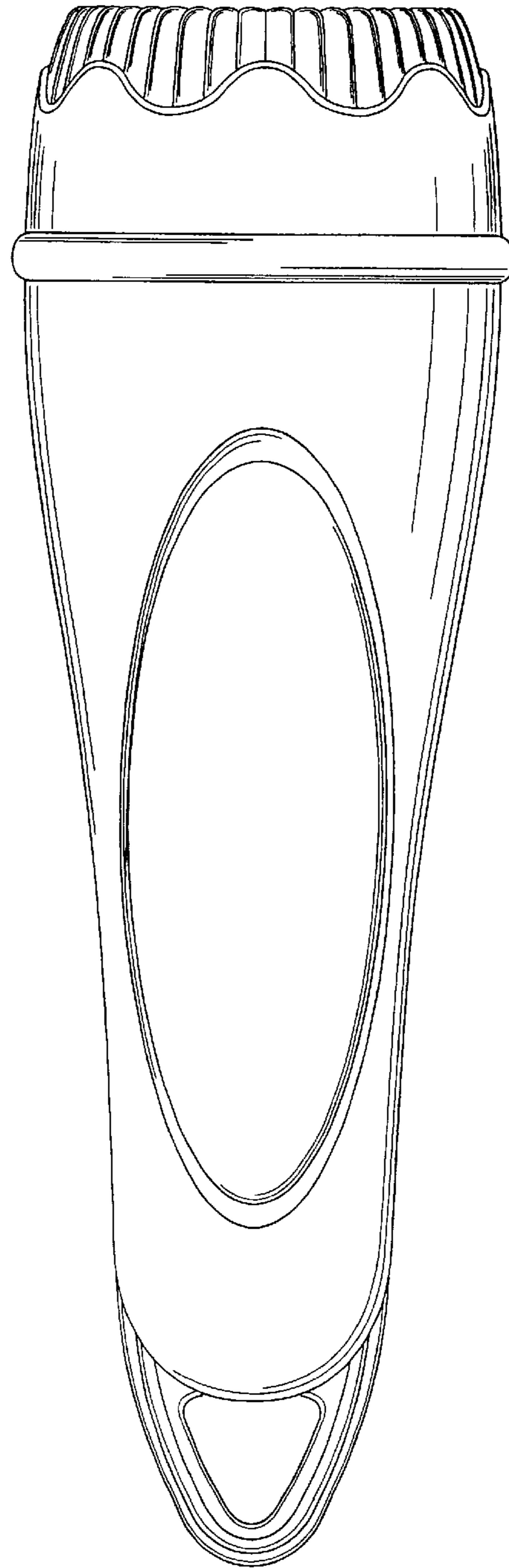


FIG. 2

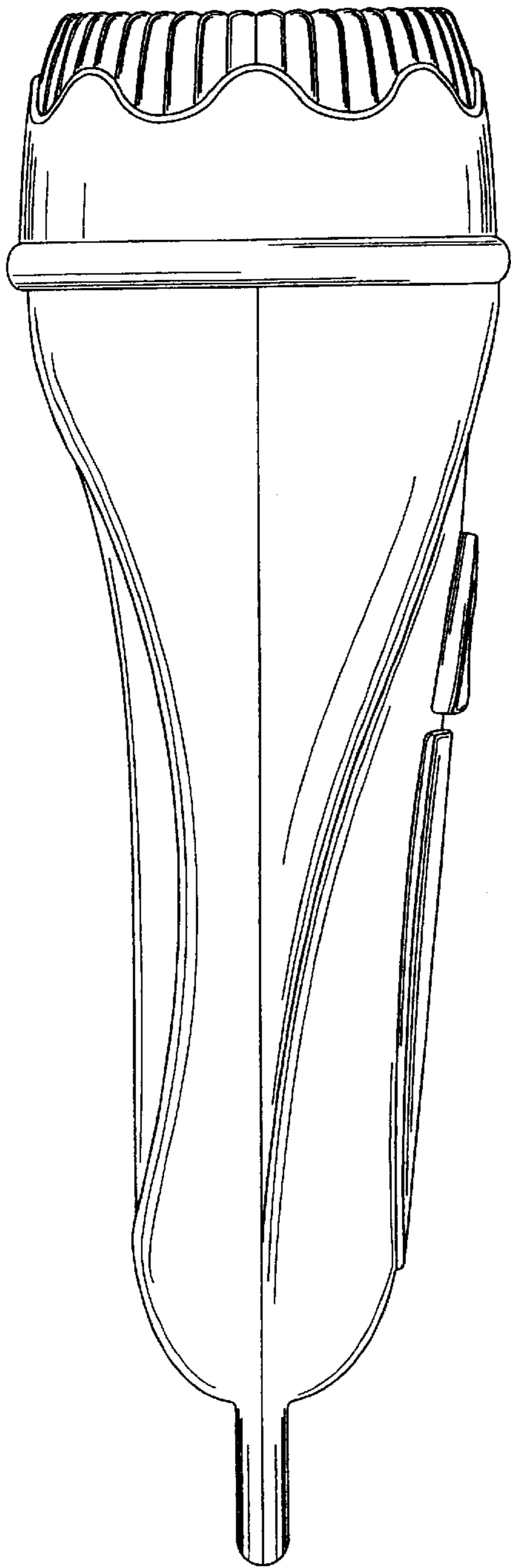


FIG. 3

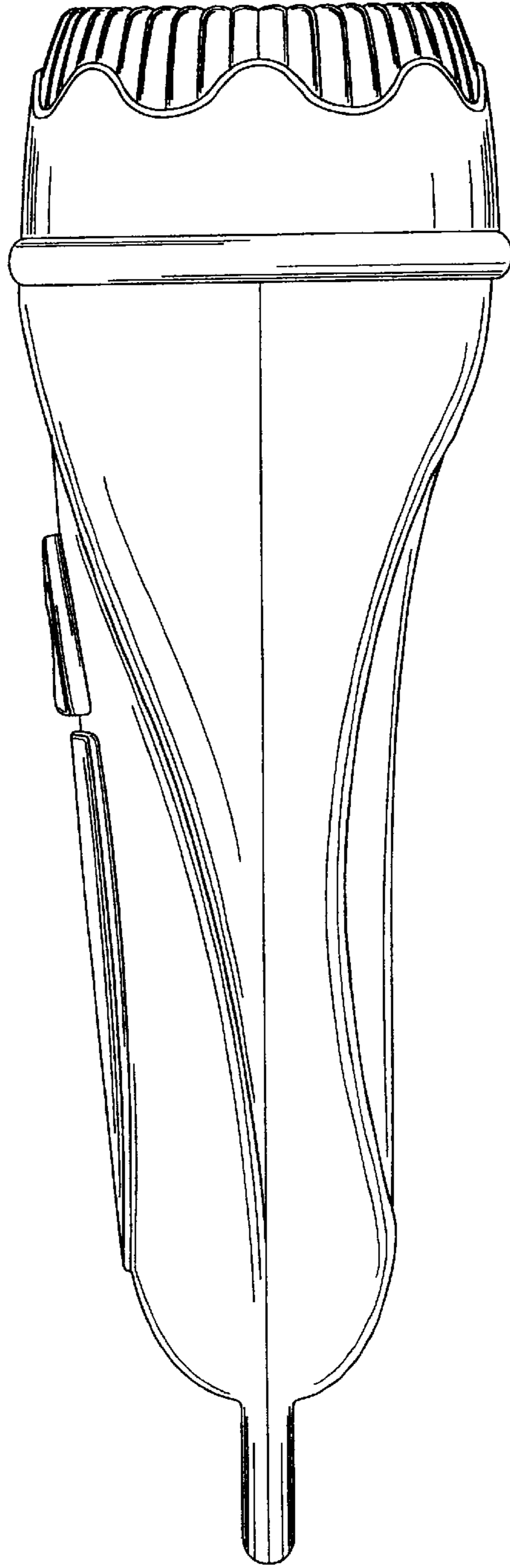


FIG. 4

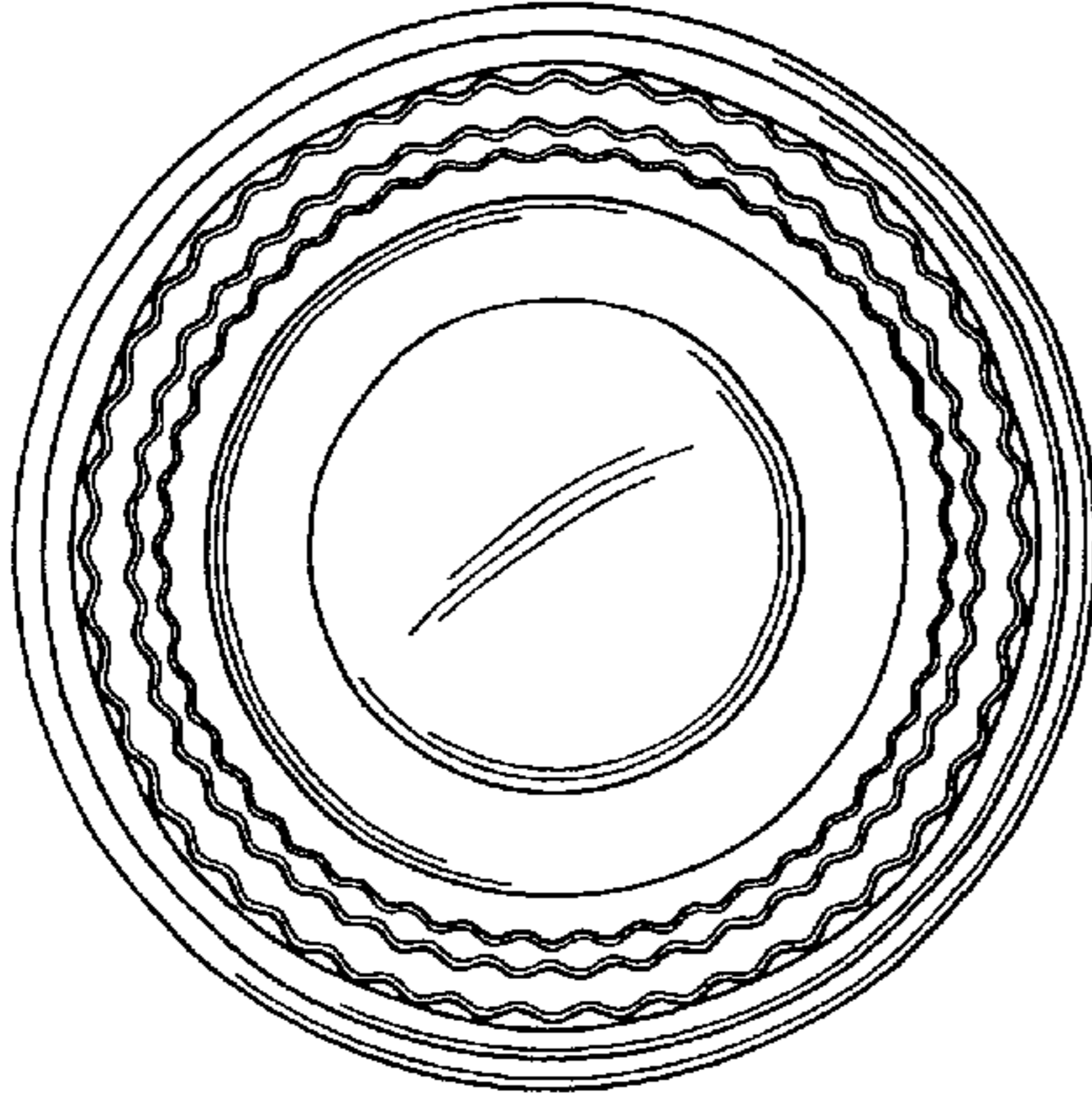


FIG. 5

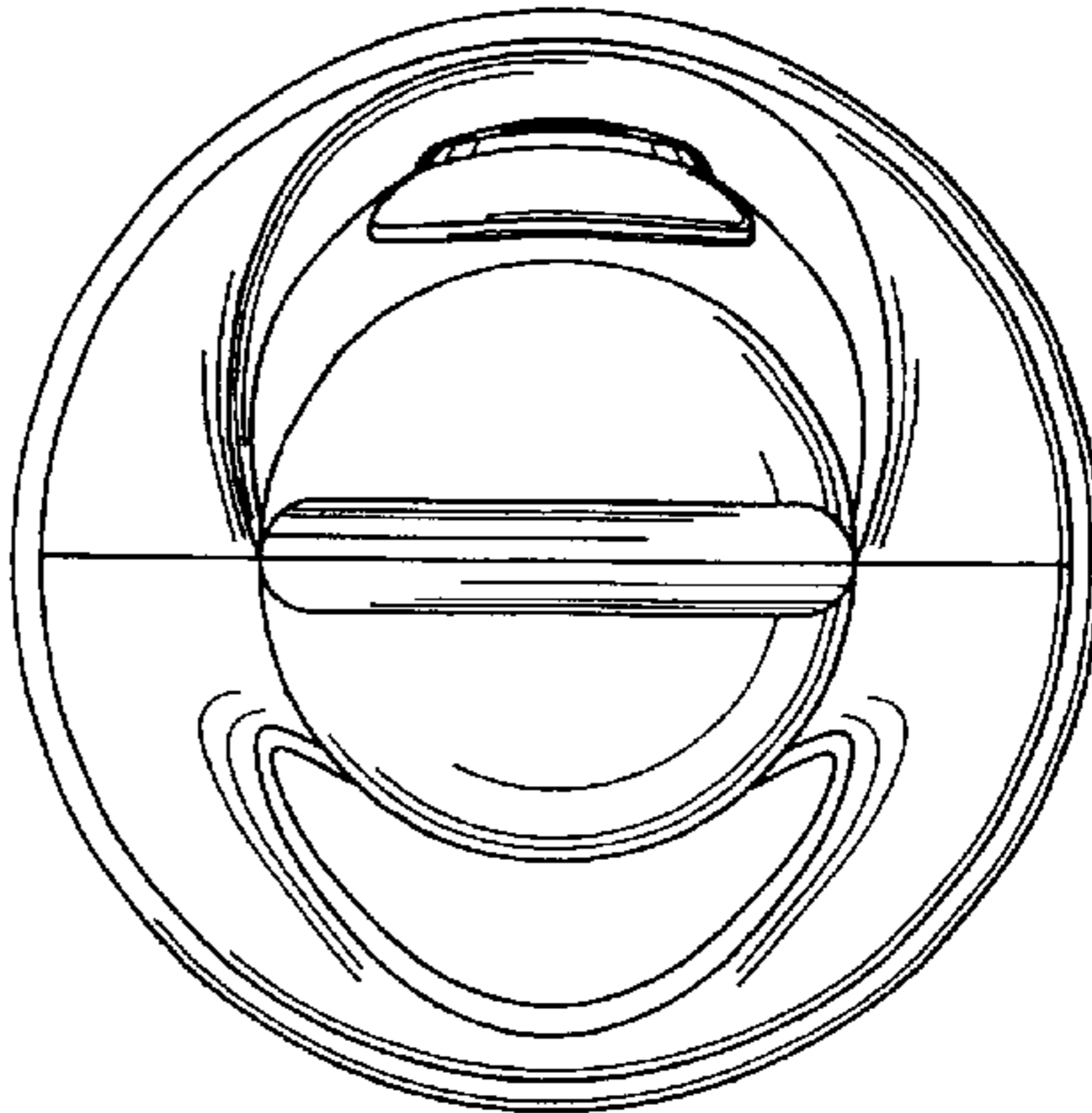


FIG. 6

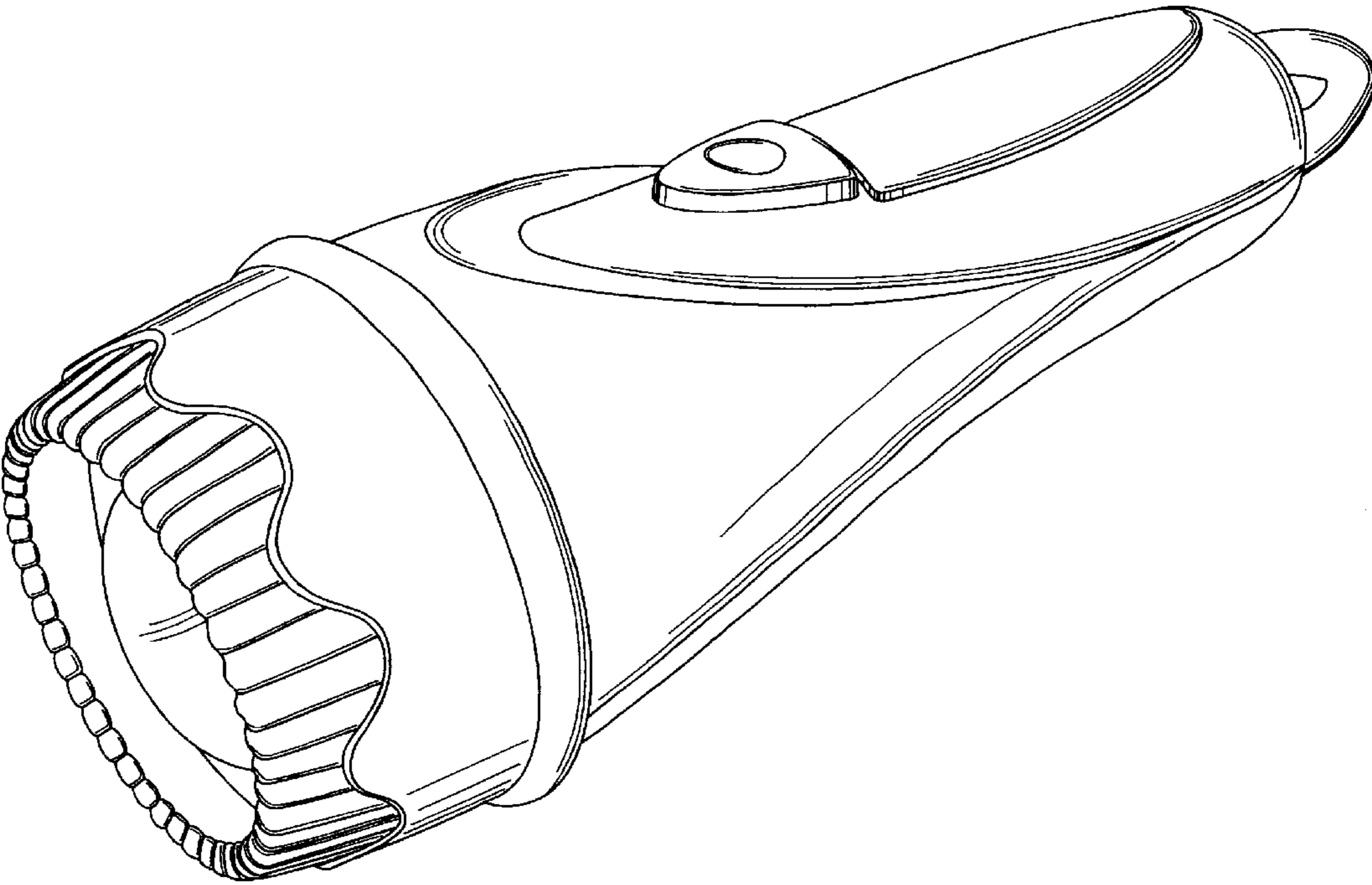


FIG. 7