

US00D530029S

(12) **United States Design Patent** (10) **Patent No.:** **US D530,029 S**
Neufeglise et al. (45) **Date of Patent:** **** Oct. 10, 2006**

(54) **LIGHT BAR**

- (75) Inventors: **Steven W. Neufeglise**, Rochester, NY (US); **William H. Dalton, Jr.**, Tulsa, OK (US); **Oriana J. Starr**, Catskill, NY (US)
- (73) Assignee: **Star Headlight and Lantern Co., Inc.**, Avon, NY (US)
- (**) Term: **14 Years**
- (21) Appl. No.: **29/231,672**
- (22) Filed: **Jun. 8, 2005**
- (51) **LOC (8) Cl.** **26-06**
- (52) **U.S. Cl.** **D26/28**
- (58) **Field of Classification Search** D26/28-36; 362/459-468, 475-478, 485-487
See application file for complete search history.

(56) **References Cited**

U.S. PATENT DOCUMENTS

D237,999 S	12/1975	Runyon
D249,250 S	9/1978	Peirish, Jr.
4,189,709 A	2/1980	Gosswiller
D262,659 S	1/1982	Latta et al.
4,334,211 A	6/1982	McConnell et al.
D274,001 S	5/1984	Sailers
D280,978 S	10/1985	Gosswiller
4,577,178 A	3/1986	Hitora
4,595,904 A	6/1986	Gosswiller et al.
D284,557 S	7/1986	Ferenc
D286,756 S	11/1986	Menke et al.
4,635,039 A	1/1987	Gosswiller
D291,870 S	9/1987	Urbanski et al.
D293,090 S	12/1987	Garnerone
D312,424 S	11/1990	Foster
D312,425 S	11/1990	Foster
D312,978 S	12/1990	Foster
5,027,260 A	6/1991	Lyons et al.
D319,601 S	9/1991	Sasaki et al.
D326,621 S	6/1992	Jincks et al.
5,160,874 A	11/1992	Lyons et al.
D345,315 S	3/1994	Green et al.

(Continued)

OTHER PUBLICATIONS

- Federal Signal Corp., Vista Lightbar, Federal Signal Corp, Product Catalog 1988, pp. 6-7.
- Federal Signal Corp., FireHawk Lightbar, Federal Signal Corp. Product Catalog 1998, pp. 10-11.
- Targeted Warning, Turbo Beam Plus Lightbar, Targeted Warning Catalog 1990, p. 3.
- Targeted Warning, Turbo Flash Strobe, Targeted Warning Catalog 1990, p. 5.
- Whelen 80H and 90H Series Lightbars, Whelen Catalog 1985, p. 25.
- Federal Signal Corp. StreetHawk Lightbar, Federal Signal Corp. Product Catalog 1996, p. 2.
- Federal Signal Corp. EconoMaster Lightbar, Federal Signal Corp. Product Catalog 1996, p. 4.
- Printout of Web page for "Big Country Supply", Sho-Me by Able-2, SM49 Lighter "U-BUILD-IT" Add Your Own Options System, <http://store.yahoo.com/bcssales/shombyabsm49.html>.

Primary Examiner—Marcus A. Jackson
(74) *Attorney, Agent, or Firm*—Kenneth J. Lukacher; Martin Lukacher

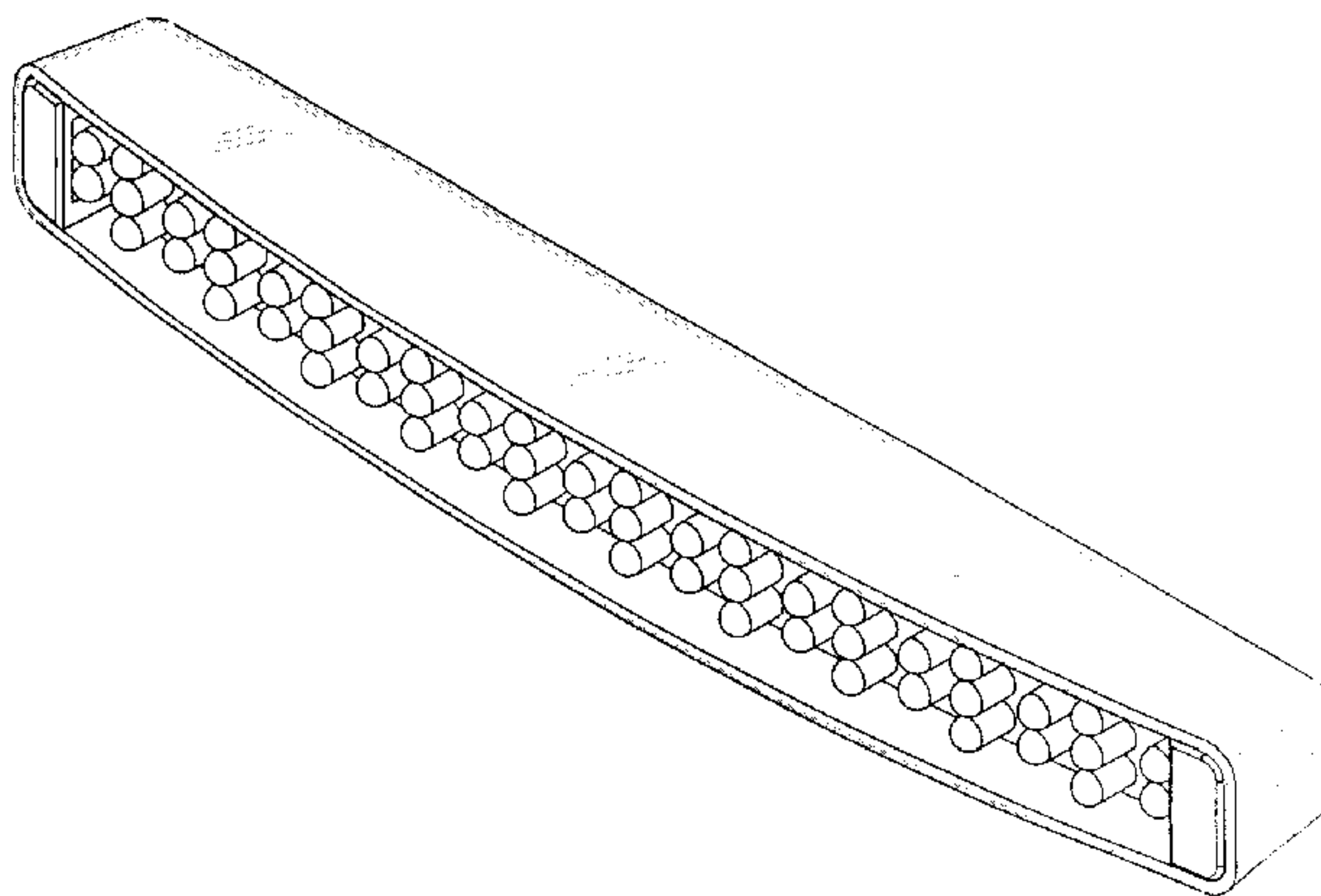
(57) **CLAIM**

The ornamental design for a light bar, as shown and described.

DESCRIPTION

FIG. 1 is a front elevational view of a light bar in accordance with our design;
FIG. 2 is an end elevational view thereof;
FIG. 3 is a rear elevational view thereof;
FIG. 4 is a perspective view from the rear thereof;
FIG. 5 is a bottom view thereof;
FIG. 6 is a perspective view from the front thereof; and,
FIGS. 7 and 8 are front elevational views, similar to FIG. 1, of further embodiments of our design, the other views thereof being line FIGS. 2-7.

1 Claim, 3 Drawing Sheets



US D530,029 S

Page 2

U.S. PATENT DOCUMENTS

D345,316 S	3/1994	Green et al.	D427,537 S	7/2000	Green et al.	
D355,142 S	2/1995	Wagner	D431,489 S	10/2000	Eckersley	
5,420,774 A	5/1995	Wilson	D432,038 S	10/2000	Sasaki et al.	
D359,461 S	6/1995	Chen	D432,444 S	10/2000	Sasaki et al.	
5,452,188 A	9/1995	Green et al.	6,140,918 A	10/2000	Green et al.	
D363,675 S	10/1995	Sasaki et al.	6,504,487 B1	1/2003	Pederson	
5,585,782 A	12/1996	Yosko	D469,711 S	2/2003	Neufeglise et al.	
D402,909 S	12/1998	Stanuch	D476,253 S	6/2003	Stein et al.	
5,884,997 A	3/1999	Stanuch et al.	D483,505 S	* 12/2003	Schwerdtmann	D26/31
D410,402 S	6/1999	Stein et al.	D483,888 S	* 12/2003	Pokorny et al.	D26/28
RE36,245 E	7/1999	Stanuch et al.	D509,919 S	* 9/2005	Durgan et al.	D26/28
6,081,191 A	6/2000	Green et al.	D520,156 S	* 5/2006	Campagna	D26/28

* cited by examiner

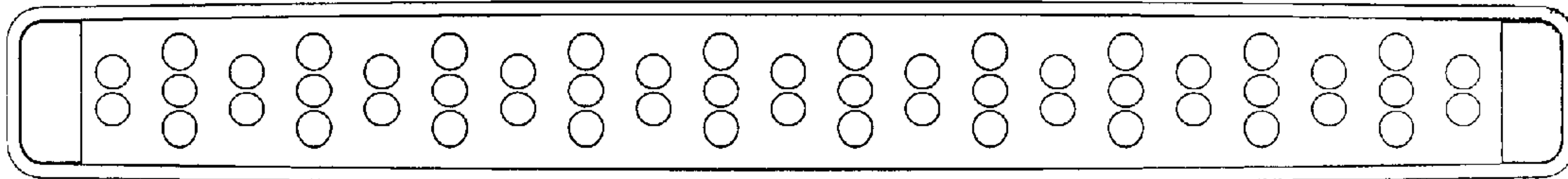


FIG. 1

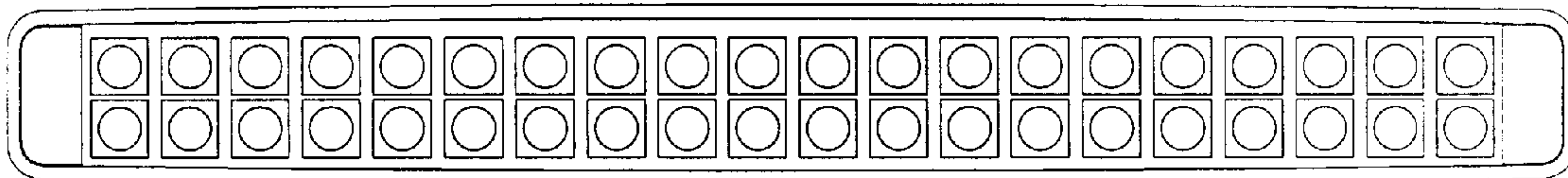


FIG. 7

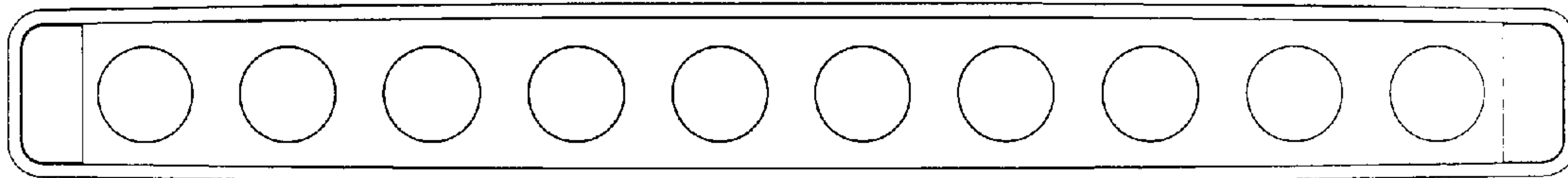


FIG. 8

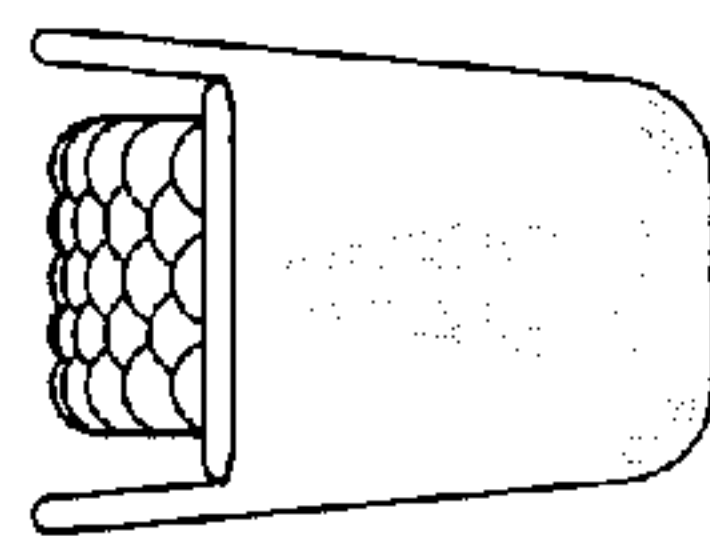


FIG. 2

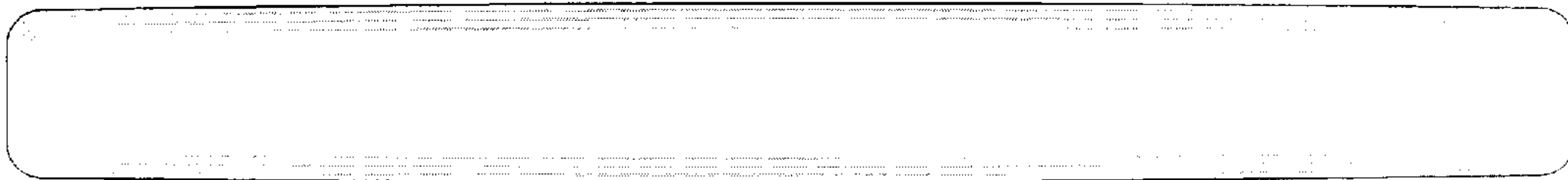


FIG. 3

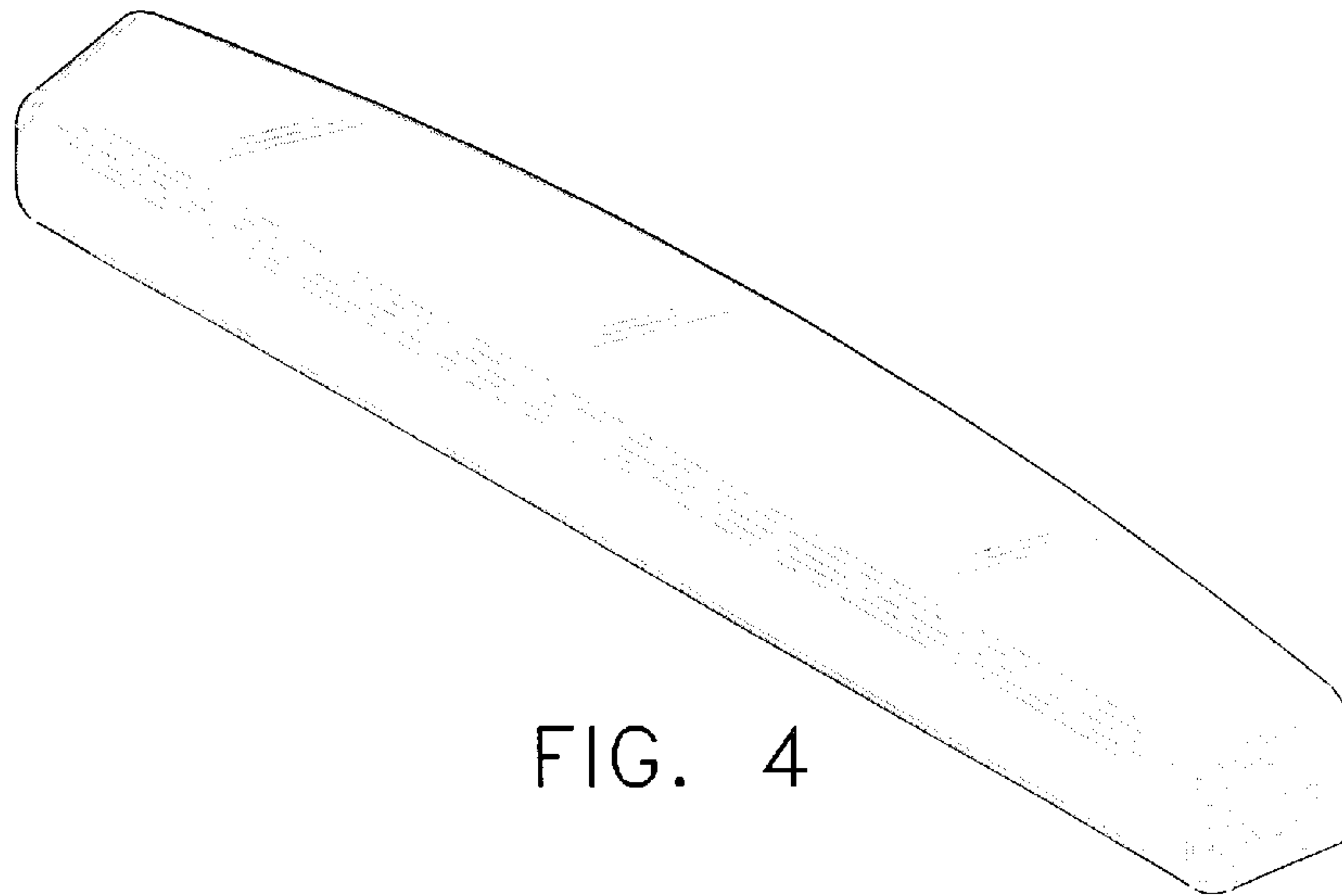


FIG. 4

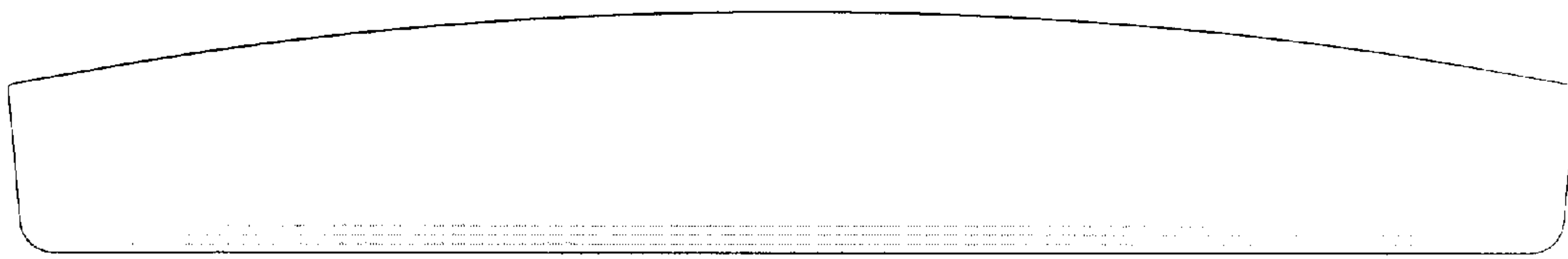


FIG. 5

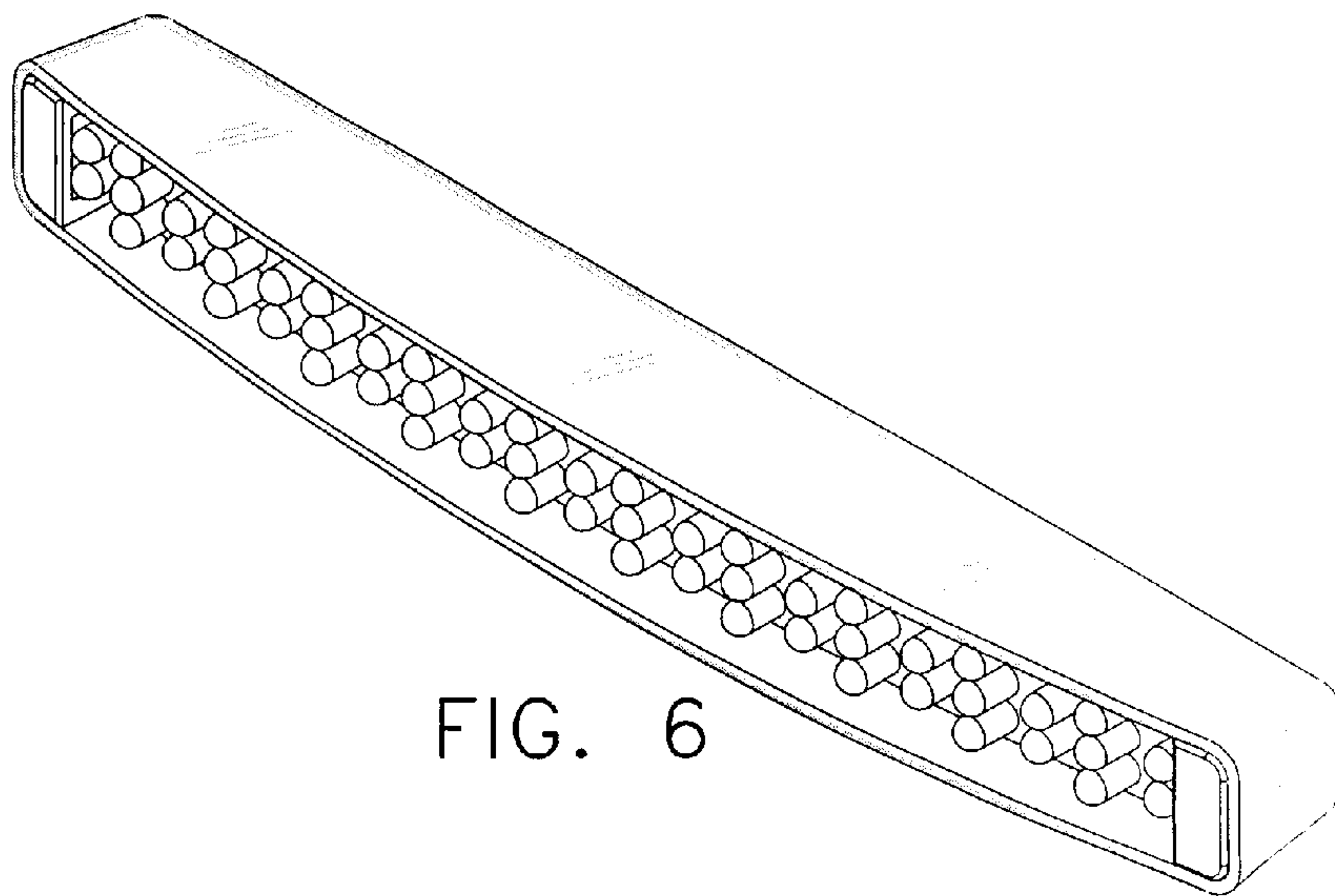


FIG. 6