

US00D530018S

(12) **United States Design Patent**
Loyd

(10) **Patent No.:** **US D530,018 S**
(45) **Date of Patent:** **** Oct. 10, 2006**

(54) **SPA JET**

(76) Inventor: **Casey Loyd**, 1462 E. 9th St., Pomona,
CA (US) 91766

(**) Term: **14 Years**

(21) Appl. No.: **29/230,615**

(22) Filed: **May 23, 2005**

(51) **LOC (8) Cl.** **23-01**

(52) **U.S. Cl.** **D24/201**

(58) **Field of Classification Search** D23/213;
D24/201; 239/261, 587.1, 587.4; 4/541.1,
4/541.6

See application file for complete search history.

(56) **References Cited**

U.S. PATENT DOCUMENTS

D259,735 S	*	6/1981	Moreland	D23/213
4,559,653 A		12/1985	Mathews		
4,763,367 A		8/1988	Henkin et al.		
D301,731 S	*	6/1989	Allen et al.	D23/213
4,853,987 A		8/1989	Jaworski		
D318,900 S	*	8/1991	Zarinfar	D23/213
5,076,500 A	*	12/1991	Daniels	239/587.4
5,353,447 A		10/1994	Gravatt		
5,657,496 A		8/1997	Corb et al.		
5,810,257 A		9/1998	Ton		
5,915,849 A		6/1999	Dongo		
5,920,925 A		7/1999	Dongo		
6,123,274 A		9/2000	Perdreau et al.		

6,264,122 B1	7/2001	Perdreau et al.	
D450,804 S	*	11/2001	Srinath et al. D23/213
6,334,224 B1	1/2002	Chalberg et al.	
6,470,509 B1	10/2002	Ayeni	
6,491,238 B1	12/2002	Swanson et al.	
6,510,277 B1	1/2003	Dongo	
6,691,336 B1	2/2004	Buck	
6,889,916 B1	5/2005	Loyd et al.	

FOREIGN PATENT DOCUMENTS

GB 2201890 A 1/1988

* cited by examiner

Primary Examiner—Robin Webster

(74) *Attorney, Agent, or Firm*—Denton L. Anderson;
Sheldon & Mak PC

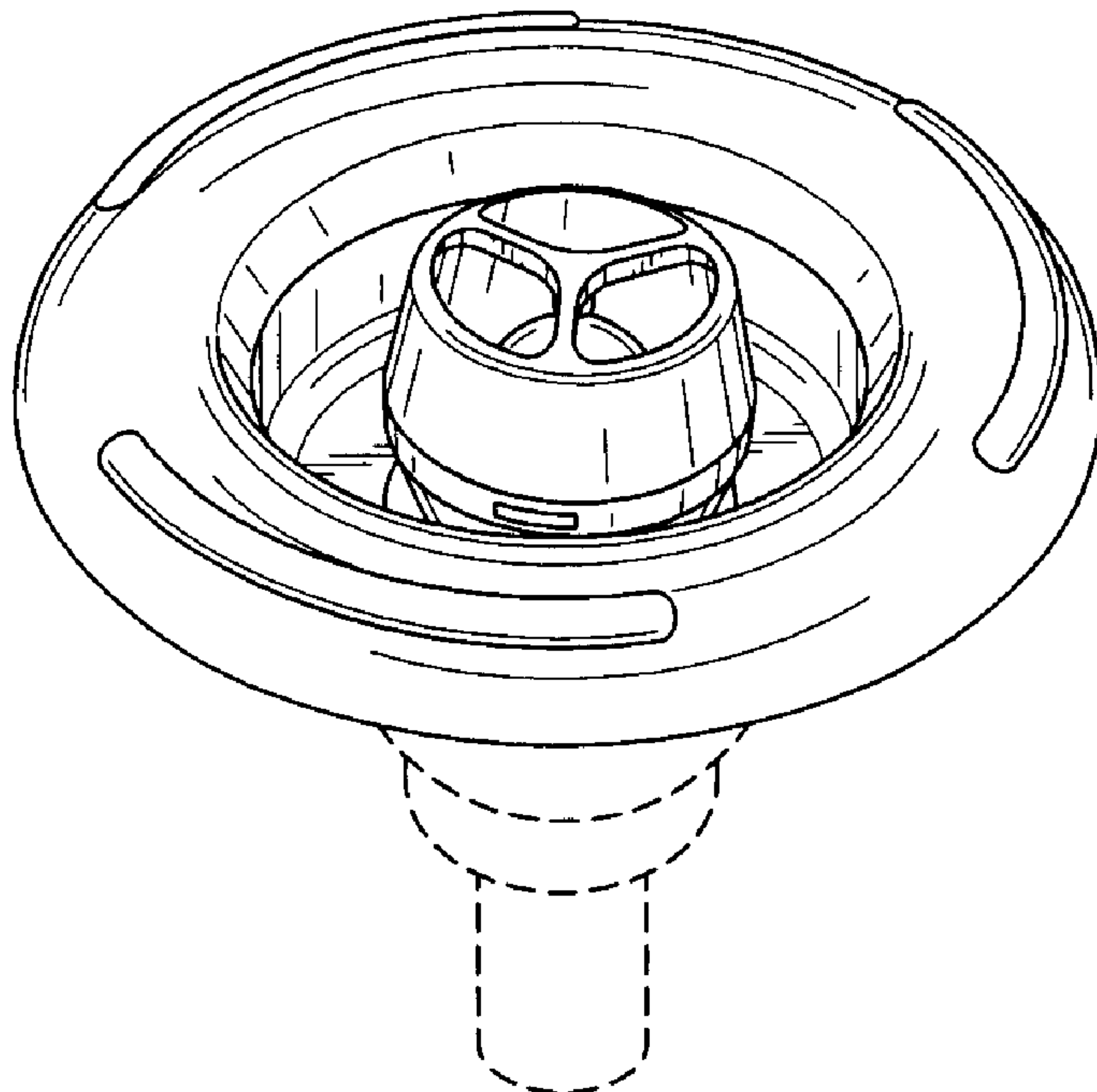
(57) **CLAIM**

The ornamental design for a spa jet, as shown and described.

DESCRIPTION

FIG. 1 is a first perspective view of the spa jet of the invention;
FIG. 2 is a second perspective view of the spa jet illustrated in FIG. 1;
FIG. 3 is a top view of the spa jet illustrated in FIG. 1;
FIG. 4 is a side view of the spa jet illustrated in FIG. 1; and,
FIG. 5 is a bottom view of the spa jet illustrated in FIG. 1.
The broken line showing is for illustrative purposes only and forms no part of the claimed design.

1 Claim, 2 Drawing Sheets



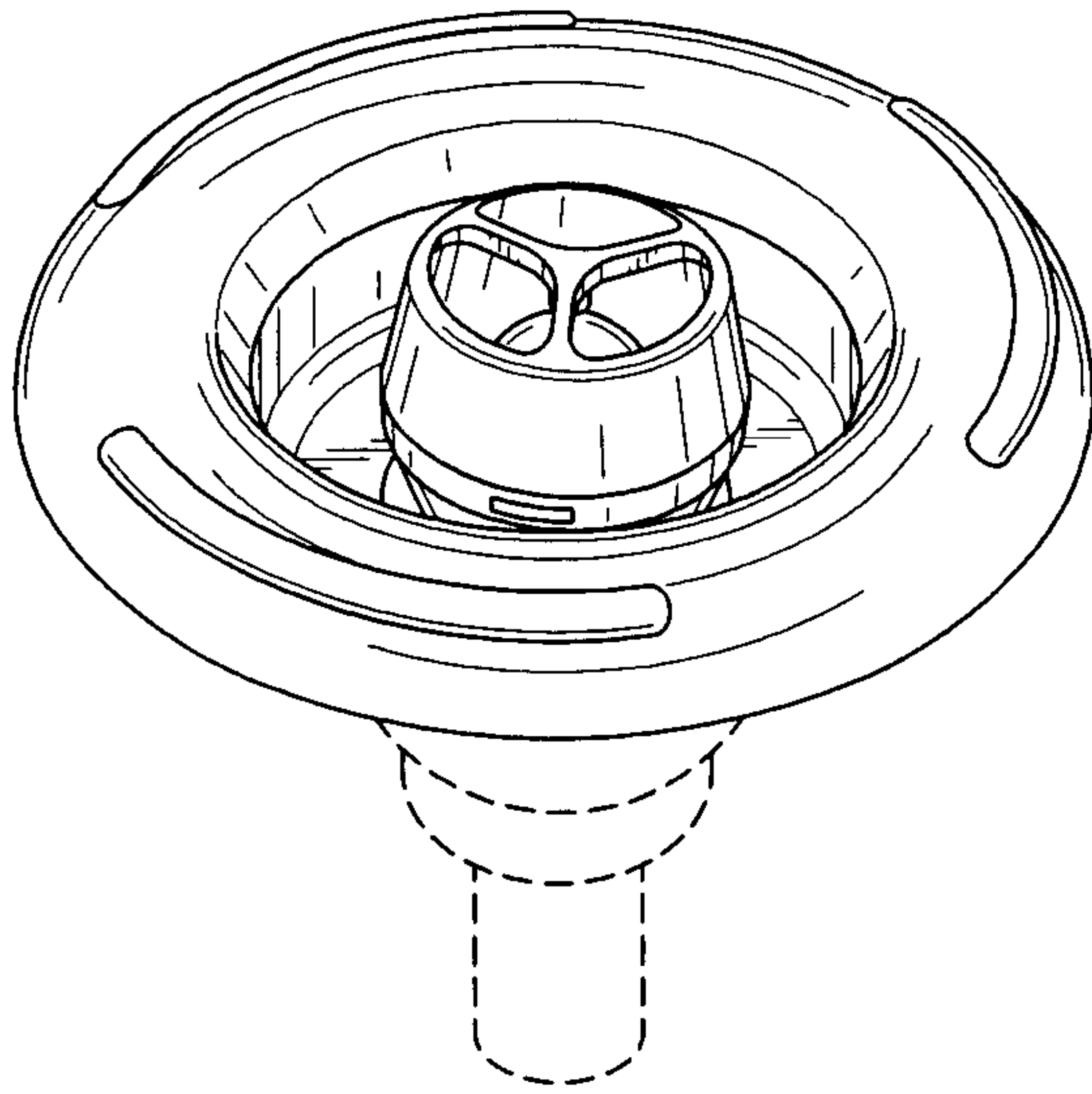


FIG. 1

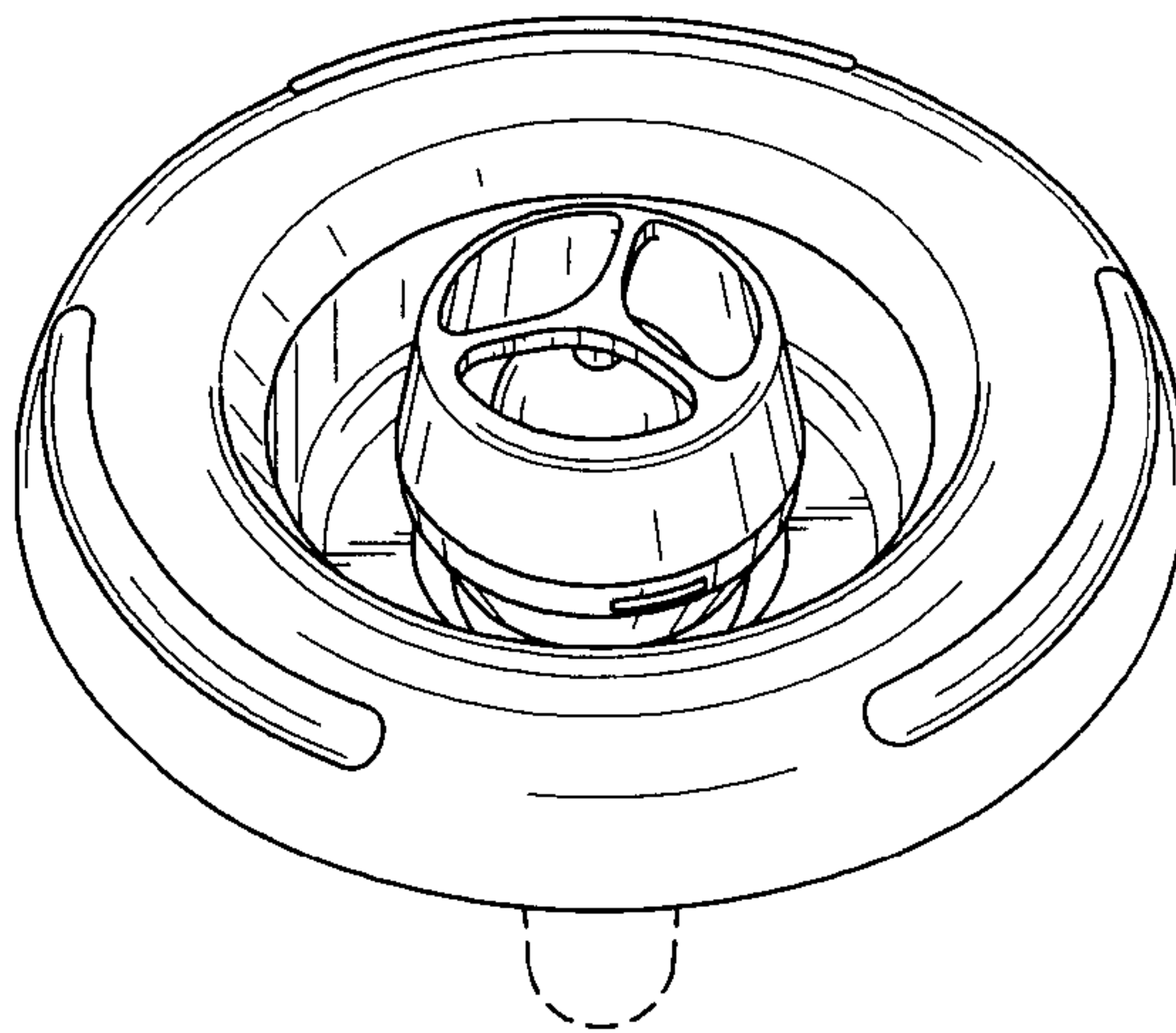


FIG. 2

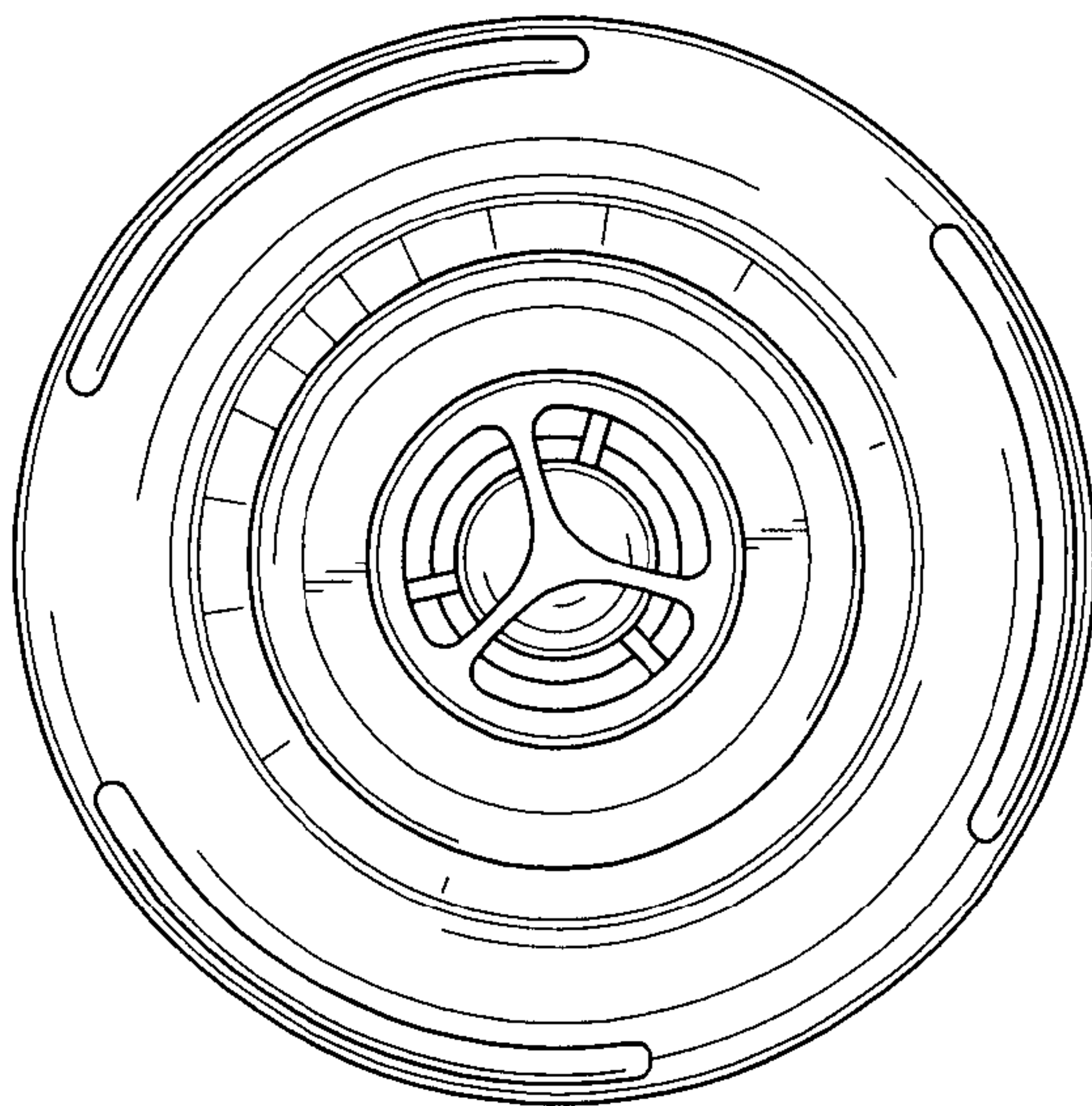


FIG. 3

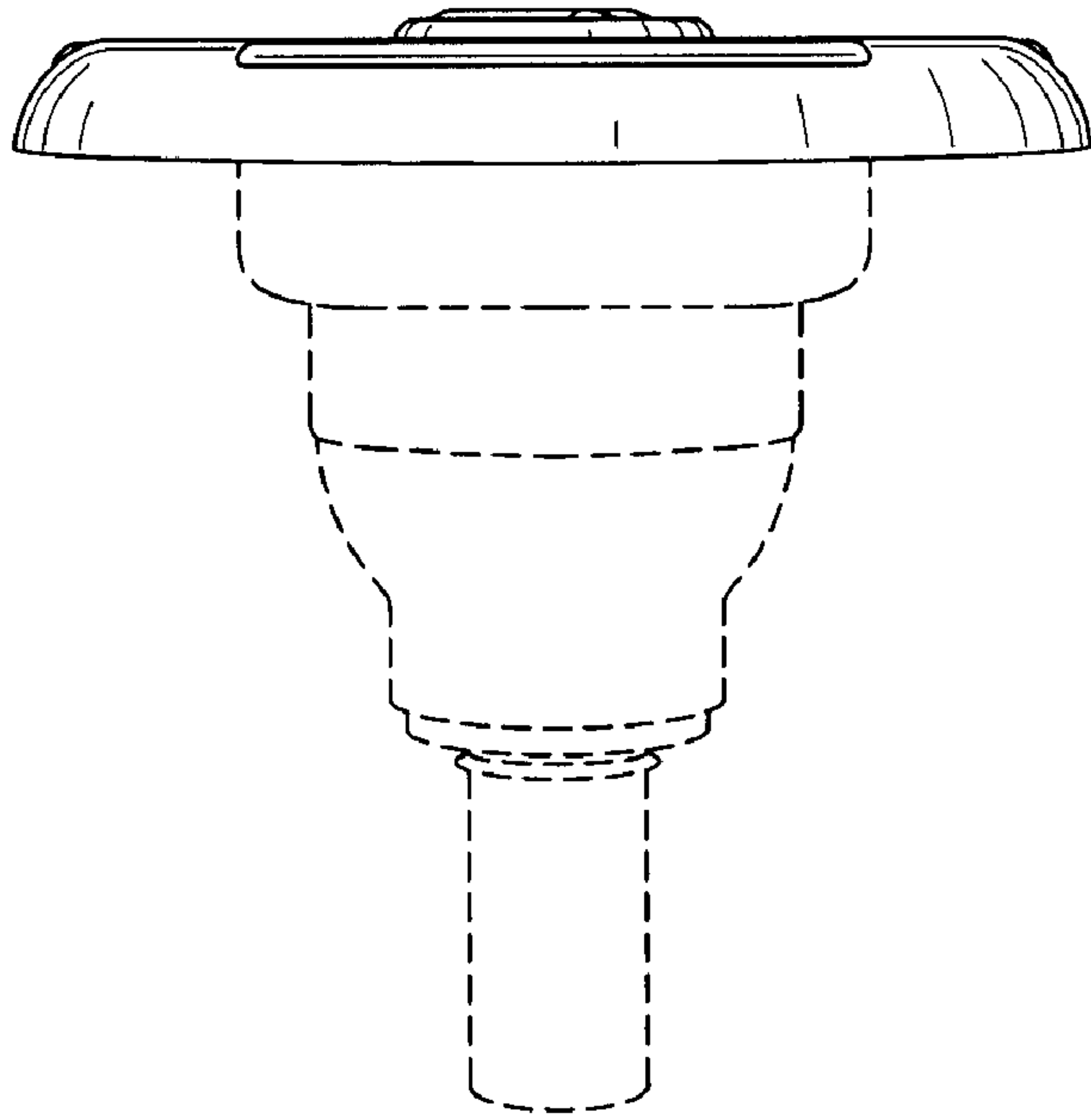


FIG. 4

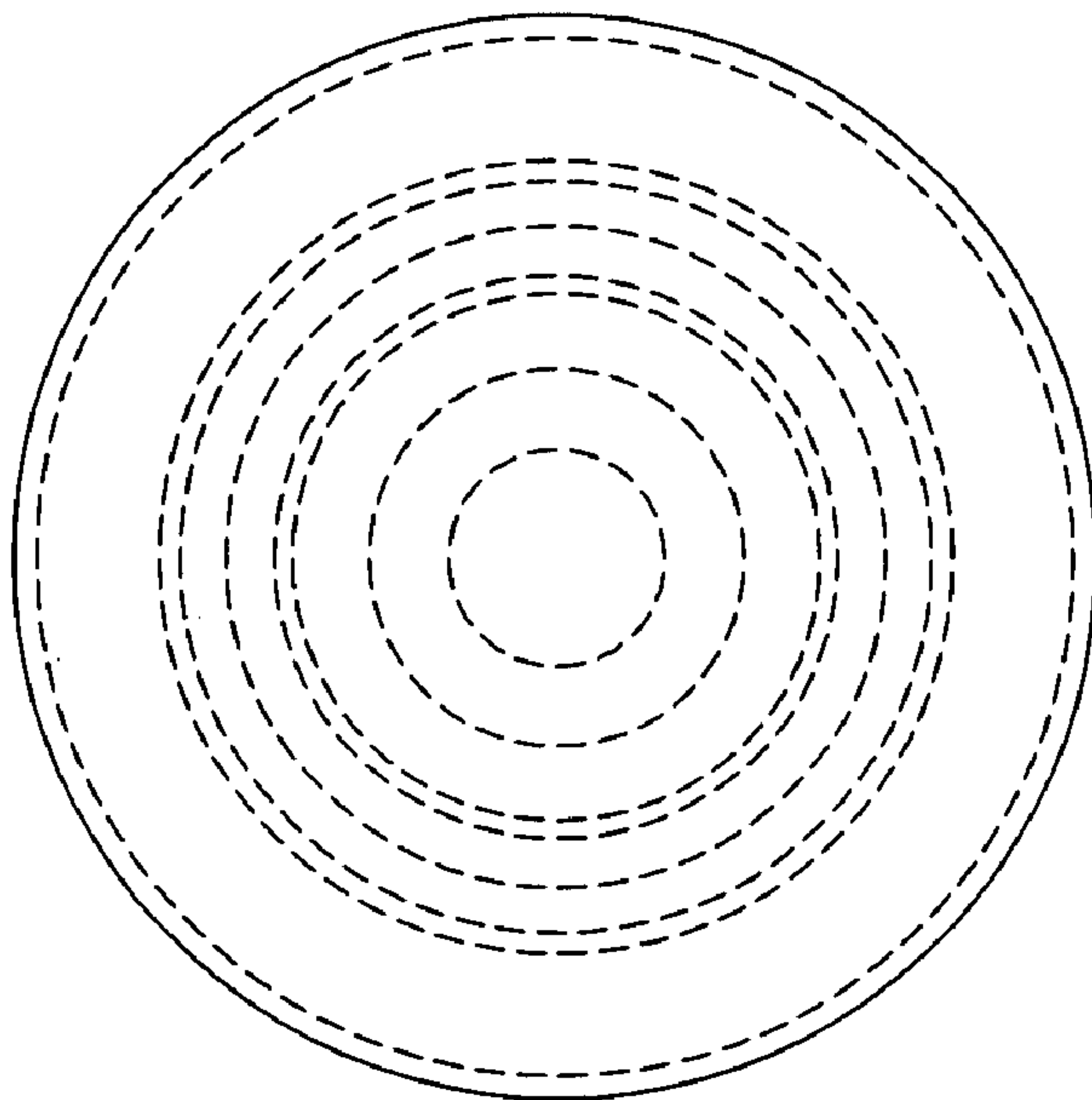


FIG. 5