



US00D530014S

(12) **United States Design Patent**
Huffman

(10) **Patent No.:** **US D530,014 S**
(45) **Date of Patent:** **** Oct. 10, 2006**

(54) **DENTAL MODEL BASE QUADRANT WITH A PLURALITY OF INDEXING PINS**

(75) Inventor: **Ronald E. Huffman**, P.O. Box 68440, Oro Valley, MN (US) 85737

(73) Assignee: **Ronald E. Huffman**, Oro Valley, AZ (US)

(**) Term: **14 Years**

(21) Appl. No.: **29/216,696**

(22) Filed: **Nov. 5, 2004**

(51) **LOC (8) Cl.** **24-03**

(52) **U.S. Cl.** **D24/176**

(58) **Field of Classification Search** D24/156, D24/152, 155, 176, 180, 181, 197; 249/124; 433/34, 54, 60, 61, 64, 74, 213

See application file for complete search history.

(56) **References Cited**

U.S. PATENT DOCUMENTS

921,791 A	5/1909	Benson
967,086 A	8/1910	Tuttle
1,013,028 A	12/1911	Lee
1,745,570 A	2/1930	Dimelow
1,772,027 A	8/1930	Baumgarten
1,780,117 A	10/1930	Craigo
2,031,996 A	2/1936	Zelesnick
2,398,671 A	4/1946	Saffir
2,585,857 A	2/1952	Schwartz

(Continued)

FOREIGN PATENT DOCUMENTS

DE	3 436 094 A1	3/1985
DE	3 505 680 A1	7/1985
DE	3 521 137 A1	12/1986
DE	3 825 014 A1	1/1990
DE	295 06 480 U1	8/1995
DE	296 13 916 U1	1/1998
DE	4 01 05 710.0	10/2001
EP	0 210 484 A2	2/1985
EP	0 151 086 A2	8/1985
EP	0 277 026 A2	8/1988

EP	0 291 821 A1	11/1988
EP	0 528 335 A1	2/1993
FR	2 750 851 A1	1/1998
FR	2 770 994	5/1999
FR	653652TO653664	2/2002
GB	866118	4/1961
GB	886118	1/1962
GB	2102229 A	1/1983
GB	2105427	3/1983
JP	1175348	4/2003
JP	1178837	5/2003
WO	WO 88/10101	12/1988
WO	WO 97/16130	5/1997
WO	WO 01/01881 A2	1/2001

Primary Examiner—Charles A. Rademaker

(74) Attorney, Agent, or Firm—Merchant & Gould PC

(57) **CLAIM**

The ornamental design for dental model base quadrant with a plurality of indexing pins, as shown and described.

DESCRIPTION

FIG. 1 is a front perspective view of a dental model base quadrant with a plurality of indexing pins showing my new design;

FIG. 2 is a rear perspective view thereof;

FIG. 3 is a top plan view thereof;

FIG. 4 is a left side elevation thereof;

FIG. 5 is a right side elevation thereof;

FIG. 6 is a rear elevation thereof;

FIG. 7 is a front elevation thereof;

FIG. 8 is a rear perspective view thereof;

FIG. 9 is a front perspective view of a modified embodiment of the design shown in FIGS. 1 through 8;

FIG. 10 is a rear perspective view thereof;

FIG. 11 is a top plan view thereof;

FIG. 12 is a left side elevation thereof;

FIG. 13 is a right side elevation thereof;

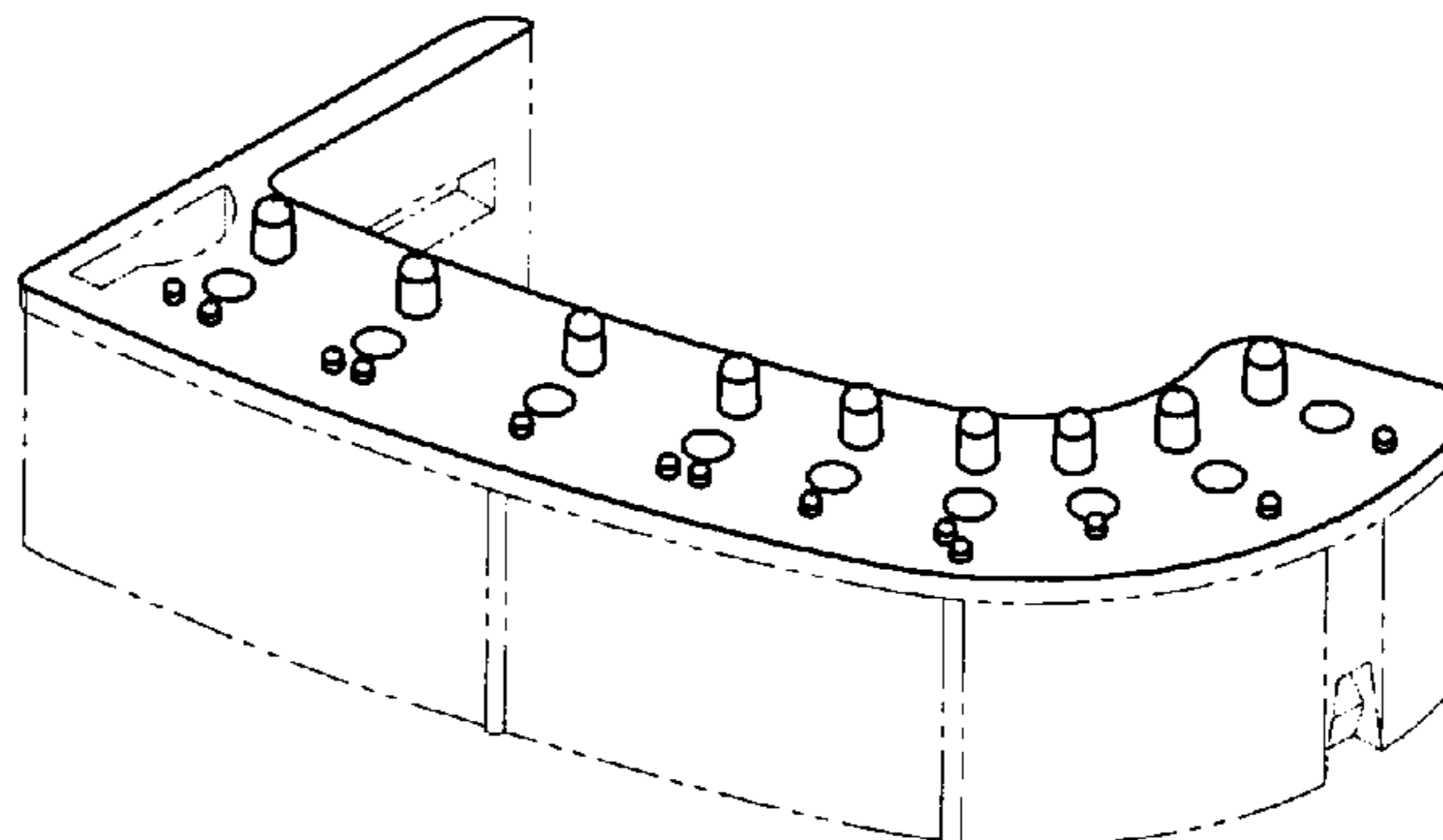
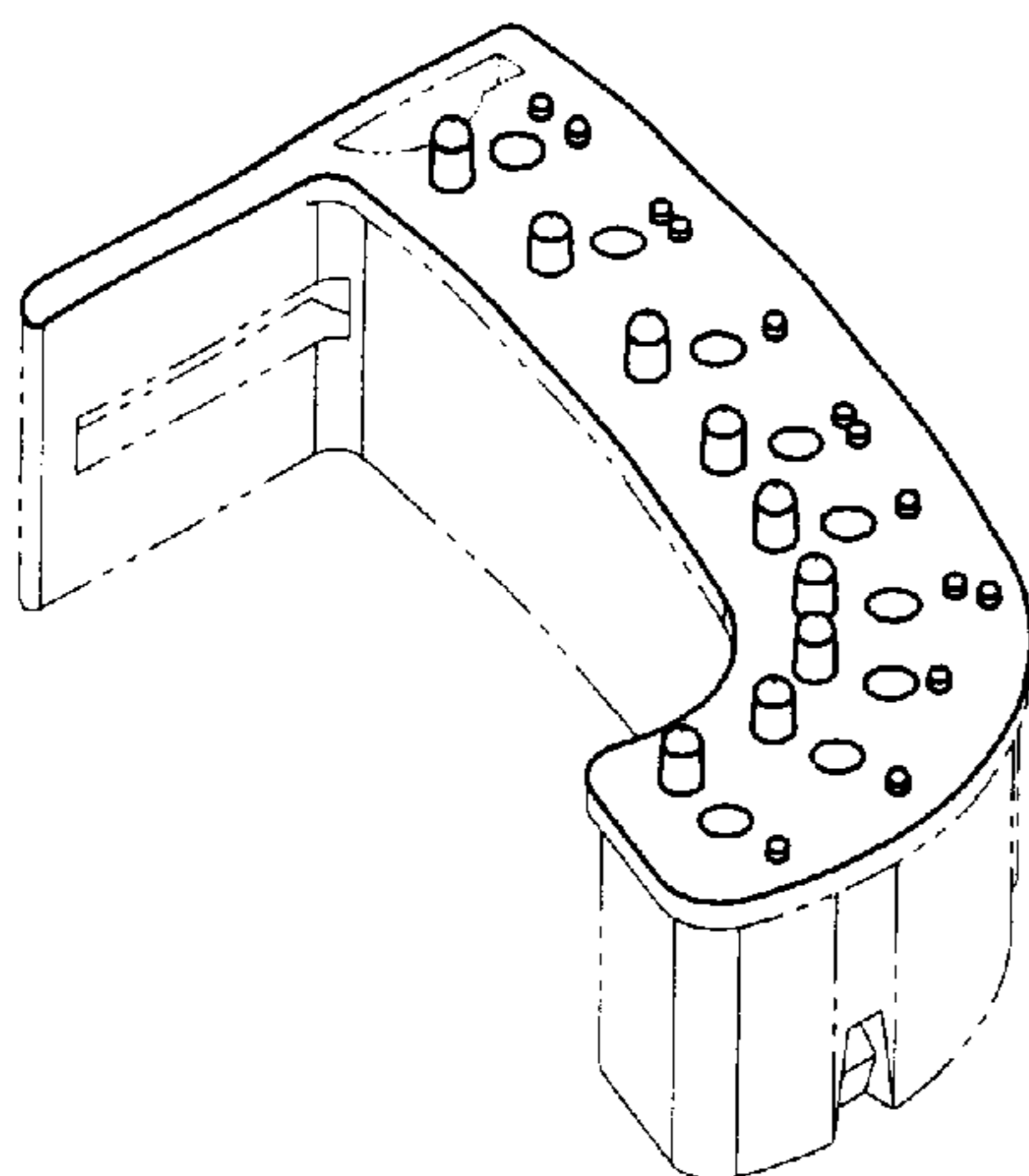
FIG. 14 is a front elevation thereof;

FIG. 15 is a rear elevation thereof; and,

FIG. 16 is a rear perspective view thereof.

The broken line showing of environment in the figure drawings is for illustrative purposes only and forms no part of the claimed design.

1 Claim, 10 Drawing Sheets



US D530,014 S

Page 2

U.S. PATENT DOCUMENTS									
2,827,899	A	* 3/1958	Altieri	D24/176	4,980,124	A	12/1990	Dimmer	
2,842,845	A	7/1958	Carlson		5,028,235	A	7/1991	Smith	
D210,278	S	* 2/1968	White	D24/181	5,049,075	A	9/1991	Barrut	
3,416,527	A	* 12/1968	Hoef	D24/176	5,076,789	A	12/1991	Tanaka	
3,453,736	A	7/1969	Waltke		5,098,290	A	3/1992	Honstein et al.	
3,478,428	A	11/1969	Stengel		5,100,317	A	3/1992	Darnand	
3,510,947	A	5/1970	Tuccillo		5,197,874	A	3/1993	Silva et al.	
3,518,761	A	7/1970	Susman et al.		5,207,574	A	5/1993	Garland	
3,581,398	A	6/1971	Thomas		5,352,117	A	10/1994	Silva	
3,934,348	A	1/1976	Janjic		5,393,227	A	2/1995	Nooning	
3,937,773	A	2/1976	Huffman		5,403,185	A	4/1995	Presswood	
3,969,820	A	7/1976	Kulig et al.		5,466,152	A	11/1995	Walter	
4,021,916	A	5/1977	Spalten		5,470,231	A	11/1995	Stern	
4,022,419	A	5/1977	Haker		5,501,600	A	3/1996	Johnson	
4,116,416	A	9/1978	Segura		5,622,497	A	4/1997	Cho	
4,122,606	A	10/1978	Roman		5,766,007	A	6/1998	Huffman	
4,127,939	A	12/1978	Samuel et al.		5,769,634	A	6/1998	Choi	
4,203,219	A	5/1980	Wiener		5,775,899	A	7/1998	Huffman	
D257,387	S	* 10/1980	Skarky	D24/181	5,788,489	A	8/1998	Huffman	
4,240,605	A	12/1980	Waltke		5,788,490	A	8/1998	Huffman	
4,242,812	A	1/1981	Randoll et al.		5,800,166	A	9/1998	Huffman	
4,265,619	A	5/1981	Lucki et al.		5,807,099	A	9/1998	Johnson	
4,283,173	A	8/1981	Browne et al.		5,868,569	A	2/1999	Huffman	
4,301,357	A	11/1981	Huffman		5,934,901	A	8/1999	Huffman	
4,319,875	A	3/1982	Beckwith		D429,815	S	8/2000	Huffman	
4,359,464	A	11/1982	Weinstock		D430,672	S	9/2000	Huffman	
4,371,339	A	2/1983	Zeiser		D433,136	S	10/2000	Huffman	
4,378,929	A	4/1983	Huffman		D433,754	S	11/2000	Huffman	
4,382,787	A	5/1983	Huffman		6,149,428	A	* 11/2000	Mogensen	433/74
4,398,884	A	8/1983	Huffman		6,193,511	B1	* 2/2001	Hudson	433/54
4,439,151	A	3/1984	Whelan		D443,363	S	6/2001	Huffman	
4,443,192	A	4/1984	Blitz		D444,559	S	7/2001	Huffman	
4,449,930	A	5/1984	Huffman		D452,009	S	12/2001	Huffman	
4,449,931	A	5/1984	Saito		D452,010	S	12/2001	Huffman	
4,459,110	A	7/1984	Jackson		D452,319	S	12/2001	Huffman	
4,473,353	A	9/1984	Greggs		D452,320	S	12/2001	Huffman	
4,481,162	A	11/1984	Huffman		D452,321	S	12/2001	Huffman	
4,494,934	A	1/1985	Huffman		D452,322	S	12/2001	Huffman	
D278,274	S	* 4/1985	Levine	D24/181	D452,566	S	12/2001	Huffman	
4,521,188	A	6/1985	Metzler		D452,567	S	12/2001	Huffman	
4,533,323	A	8/1985	Huffman		D452,568	S	12/2001	Huffman	
4,538,987	A	9/1985	Weissman		D456,902	S	5/2002	Huffman	
4,548,581	A	10/1985	Huffman		D456,903	S	5/2002	Huffman	
D283,541	S	4/1986	Huffman		D456,904	S	5/2002	Huffman	
D283,542	S	4/1986	Huffman		D457,243	S	5/2002	Huffman	
D283,639	S	4/1986	Huffman		D457,636	S	5/2002	Huffman	
D283,730	S	5/1986	Huffman		D457,637	S	5/2002	Huffman	
4,608,016	A	8/1986	Zeiser		D457,963	S	5/2002	Huffman	
D286,179	S	10/1986	Huffman		D457,964	S	5/2002	Huffman	
D286,436	S	10/1986	Huffman		6,425,759	B1	* 7/2002	Cronin	433/34
4,645,454	A	2/1987	Amdur et al.		D464,431	S	10/2002	Huffman	
D289,924	S	5/1987	Huffman		D464,432	S	10/2002	Huffman	
4,671,770	A	6/1987	Bell et al.		D464,732	S	10/2002	Huffman	
4,708,648	A	11/1987	Weissman		D464,733	S	10/2002	Huffman	
4,708,835	A	11/1987	Kiefer		D465,027	S	10/2002	Huffman	
4,721,464	A	1/1988	Roden et al.		6,471,513	B1	10/2002	Huffman	
4,734,033	A	3/1988	Huffman		D468,018	S	12/2002	Huffman	
4,767,330	A	8/1988	Burger		D468,431	S	1/2003	Huffman	
4,767,331	A	8/1988	Hoe		D468,432	S	1/2003	Huffman	
4,786,253	A	11/1988	Morais		D469,537	S	1/2003	Huffman	
4,834,651	A	5/1989	Fenick		6,511,318	B1	* 1/2003	Kim	433/74
4,842,242	A	6/1989	Huffman		D481,797	S	11/2003	Huffman	
D302,456	S	7/1989	Huffman		6,726,477	B1	* 4/2004	Gittleman	433/34
D302,587	S	8/1989	Huffman		6,884,068	B1	* 4/2005	Huffman	433/60
D302,724	S	8/1989	Huffman		6,932,608	B1	* 8/2005	Gagliano et al.	433/213
D302,725	S	8/1989	Huffman		D512,148	S	* 11/2005	Kwok	D24/181
RE33,099	E	10/1989	Shoher et al.						
D305,361	S	1/1990	Huffman						
D305,362	S	1/1990	Huffman						
D306,206	S	2/1990	Huffman						
4,898,359	A	2/1990	Gojon						
4,917,347	A	4/1990	Fenick						
RE33,271	E	7/1990	Shoher et al.						
4,940,409	A	7/1990	Nordin						

* cited by examiner

FIG. 1

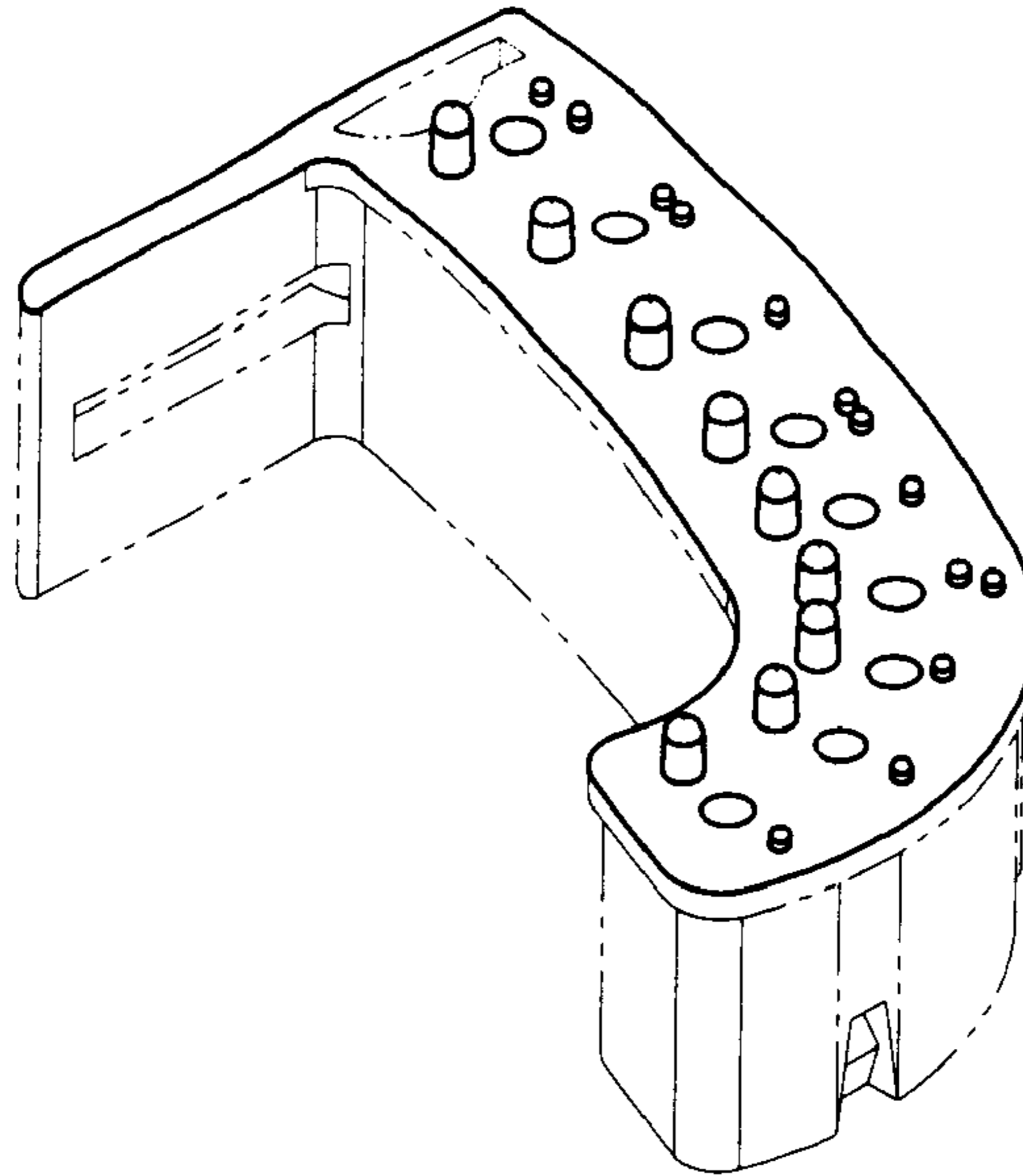


FIG. 2

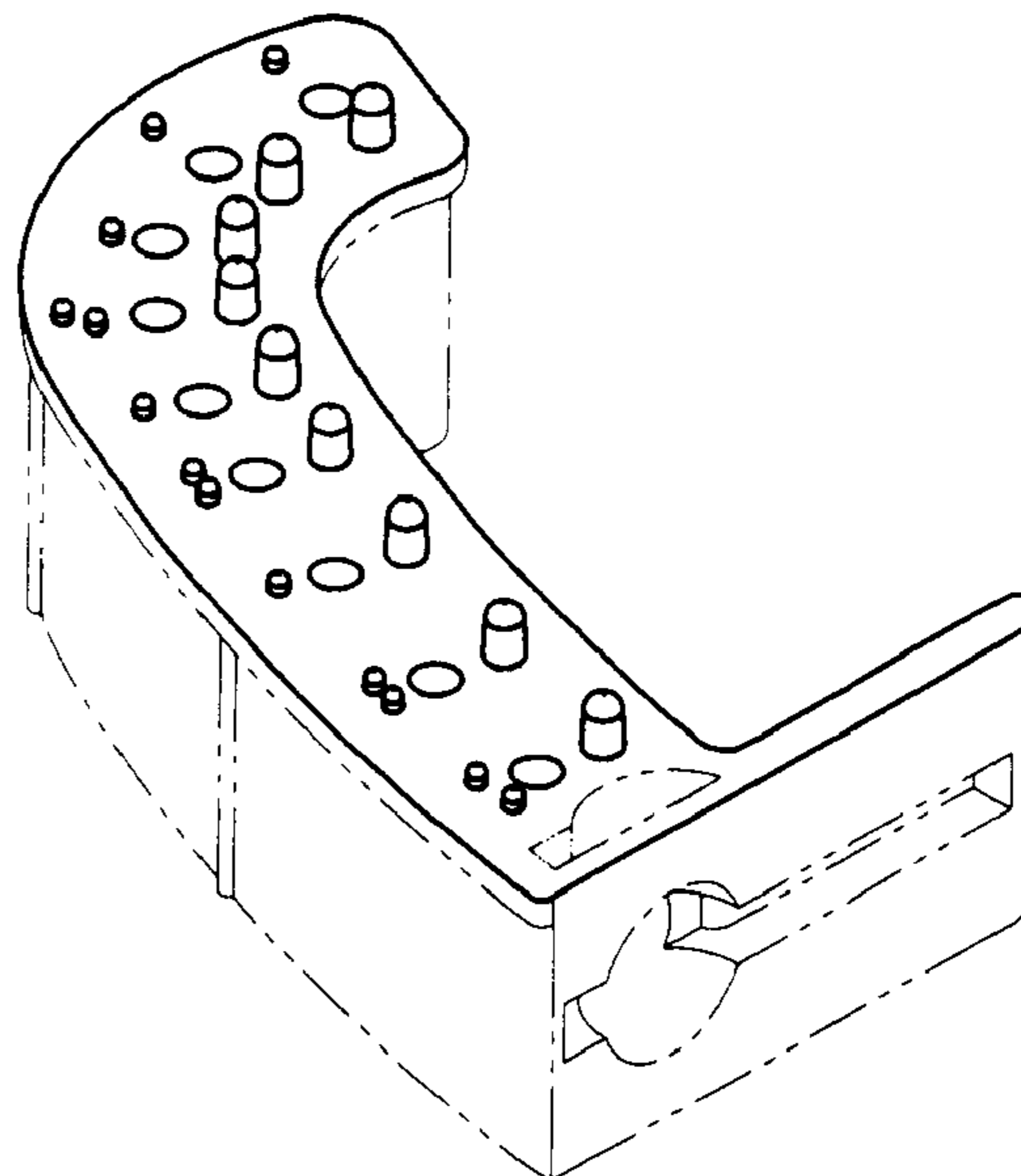


FIG.3

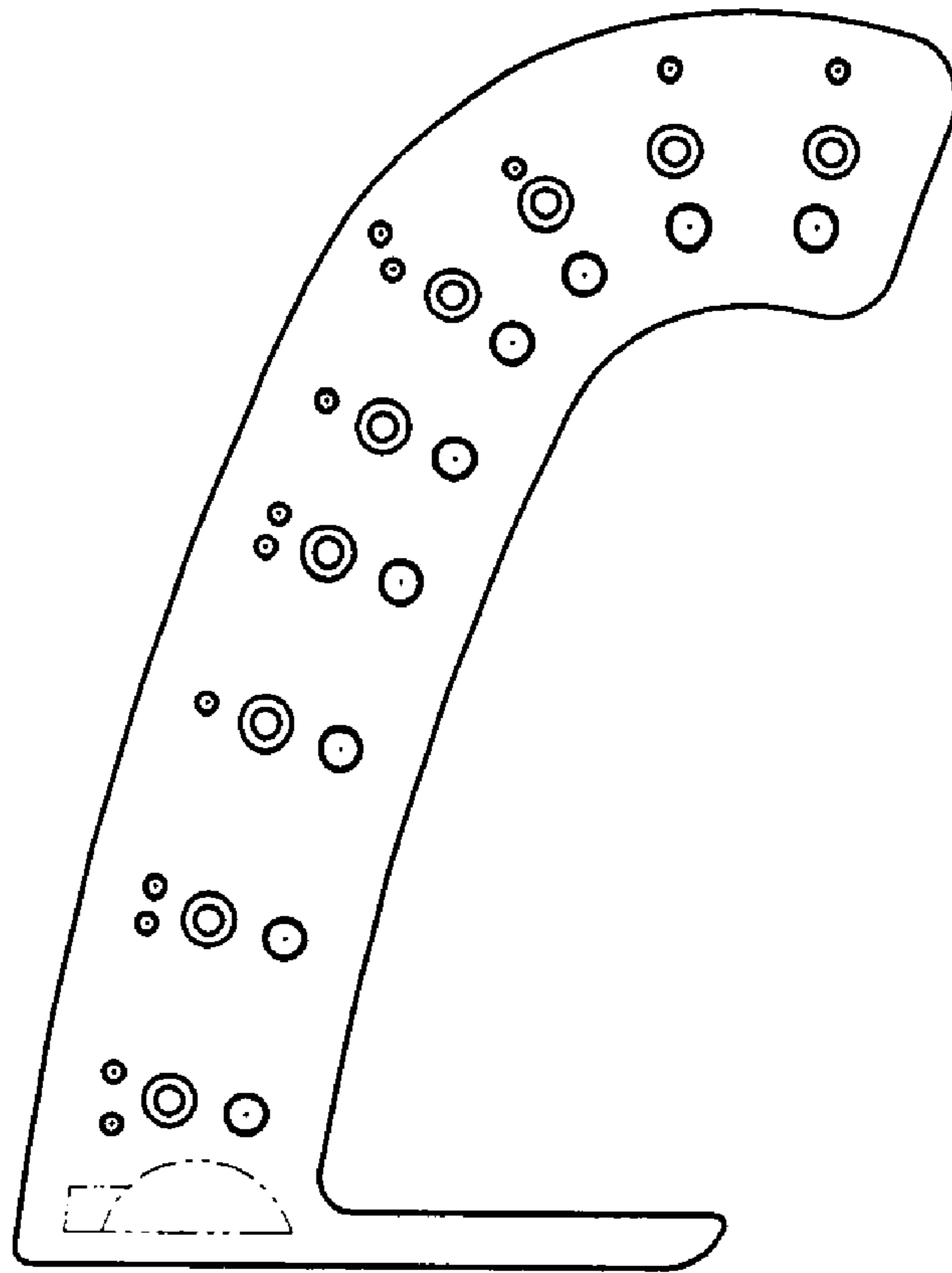


FIG.4

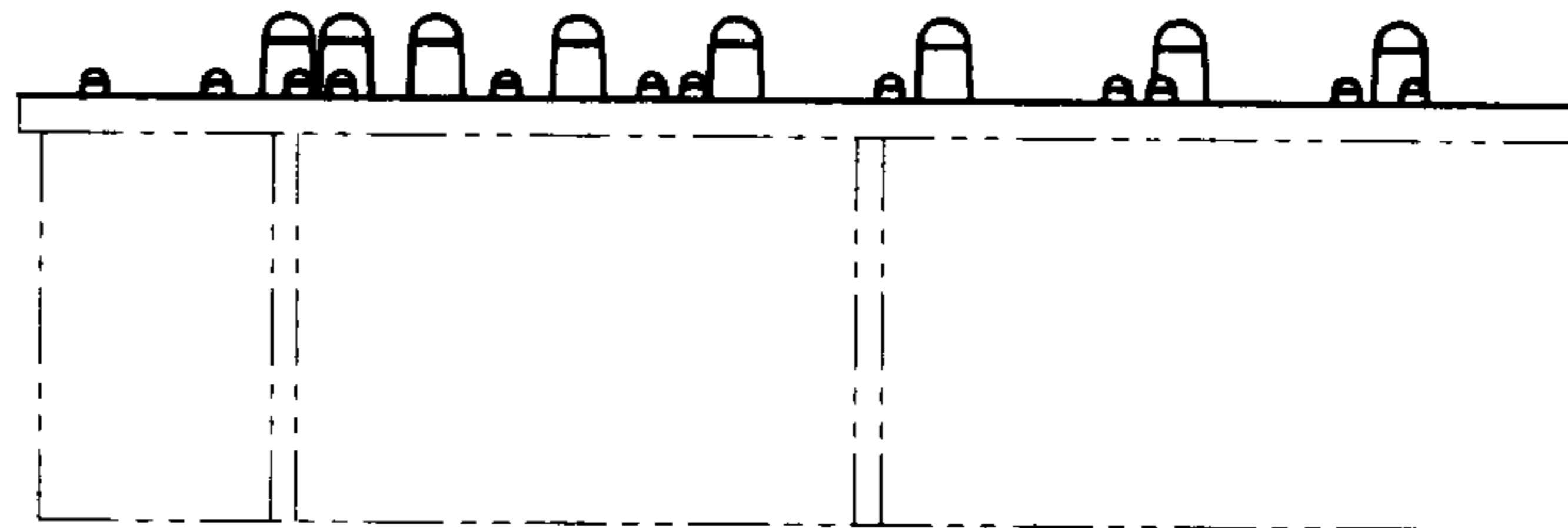


FIG.5

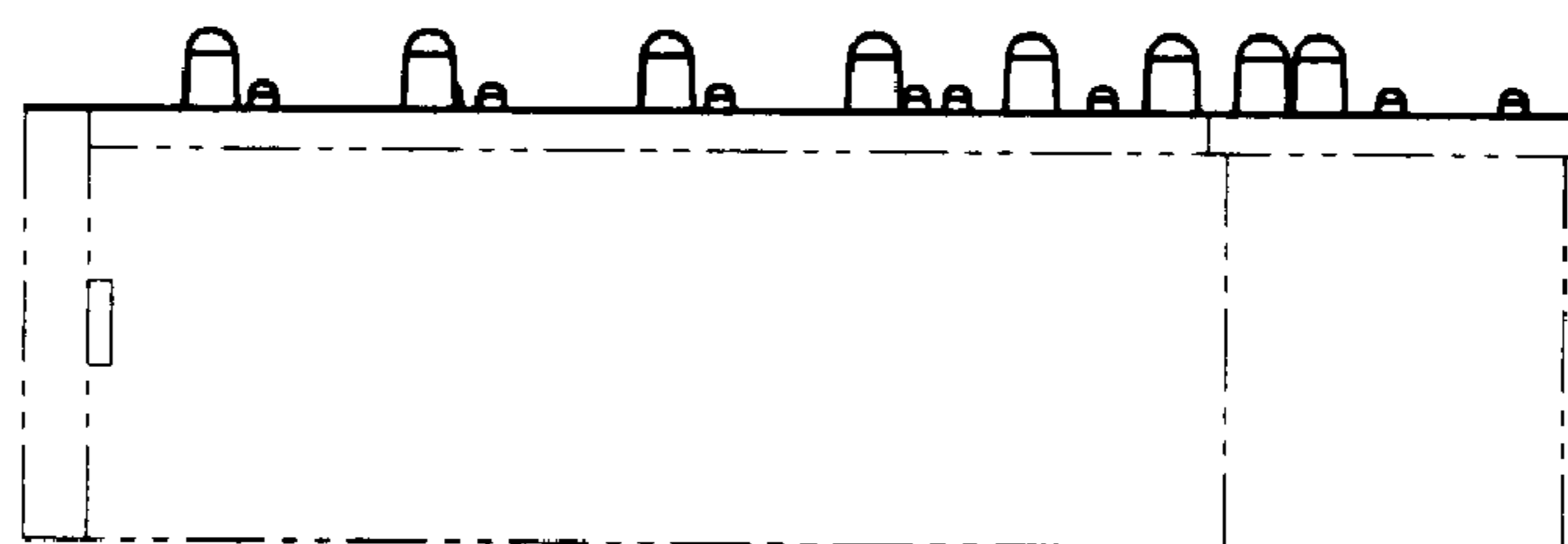


FIG.6

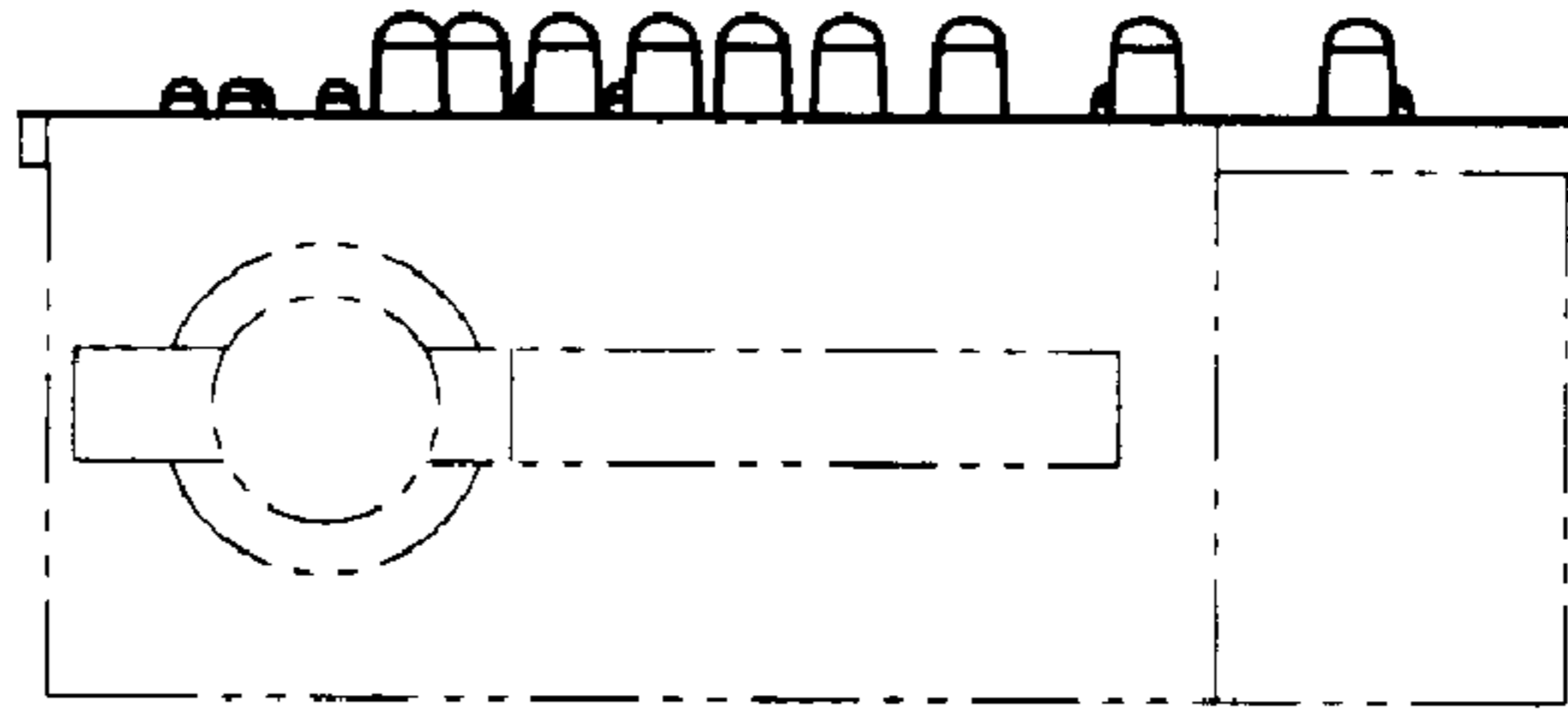


FIG.7

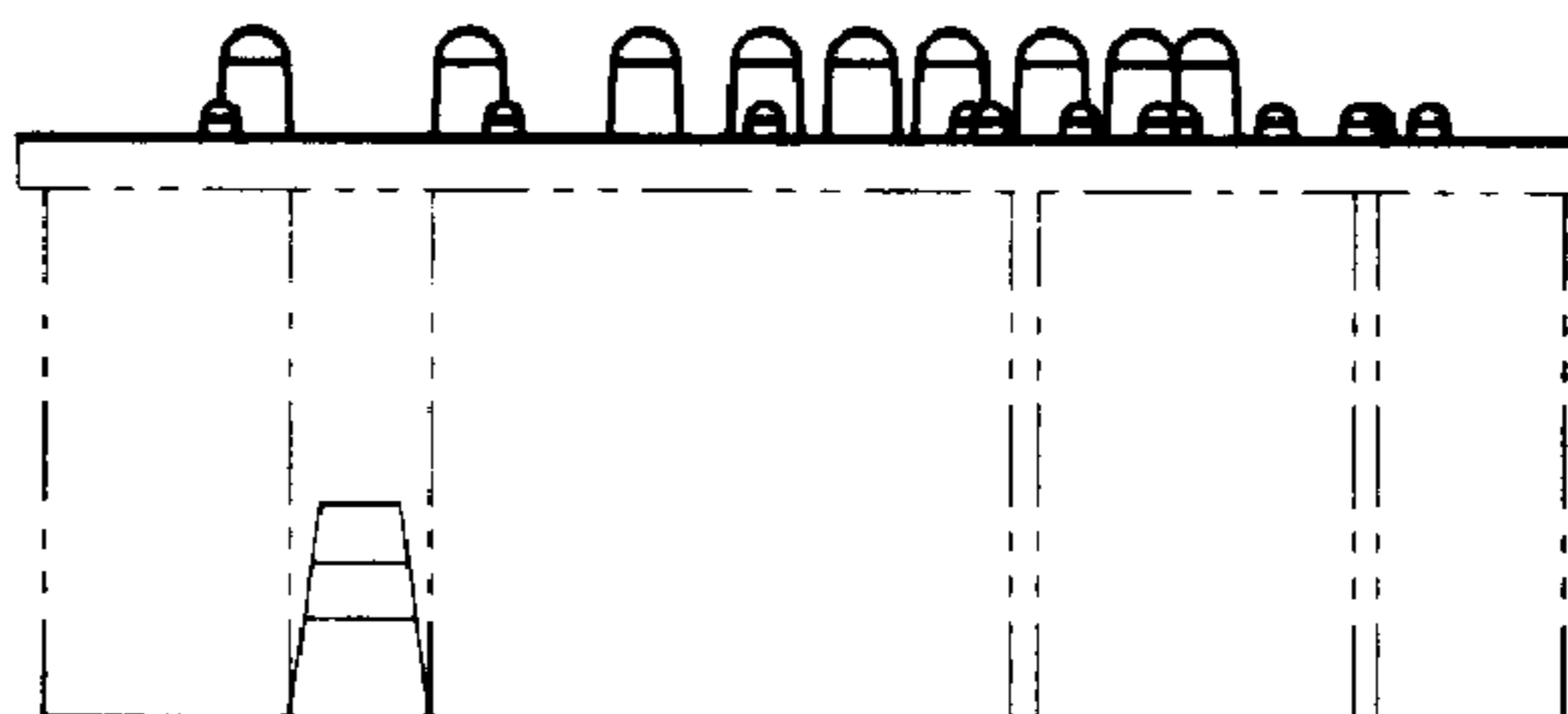


FIG.8

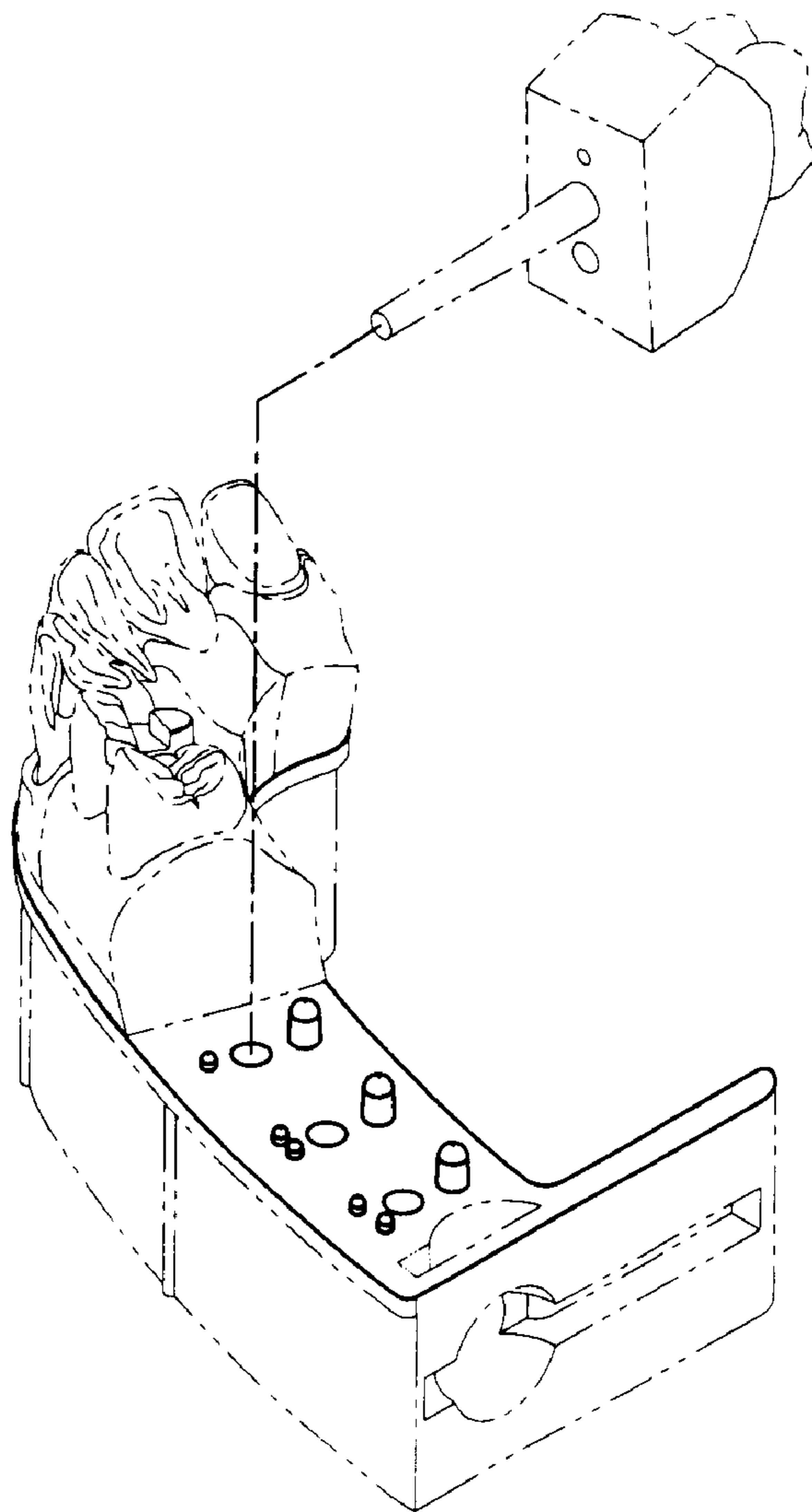


FIG.9

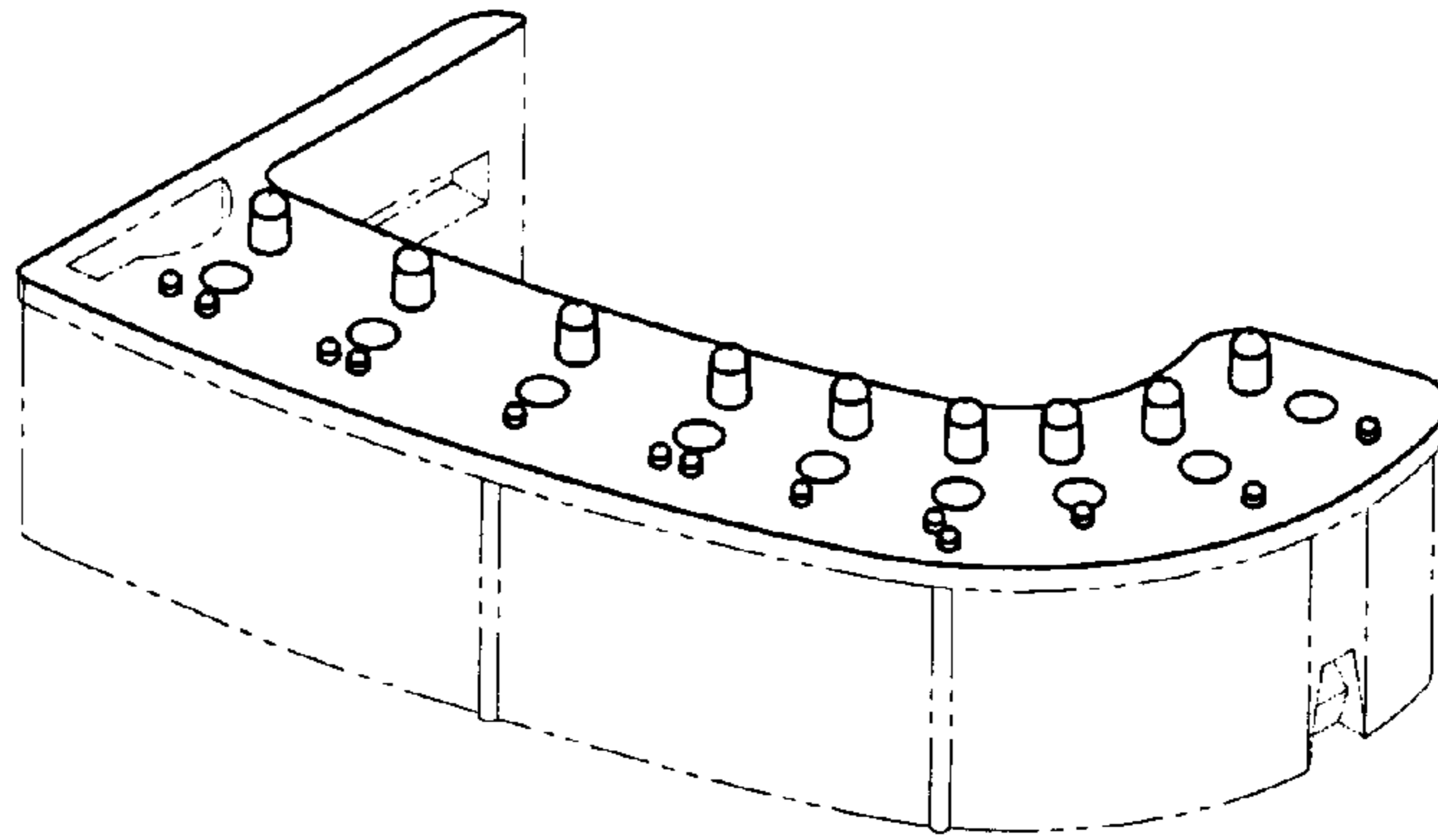


FIG.10

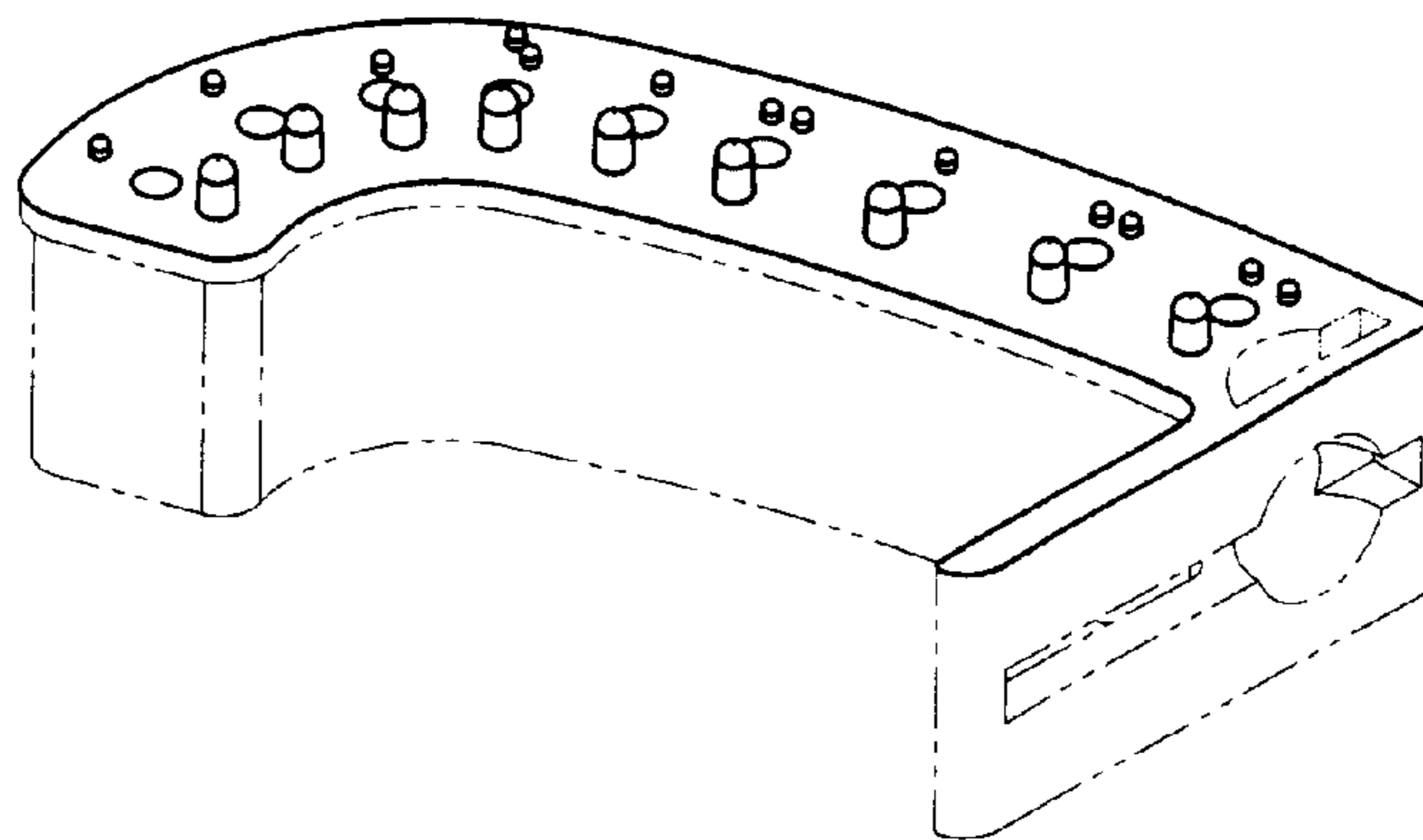


FIG. 11

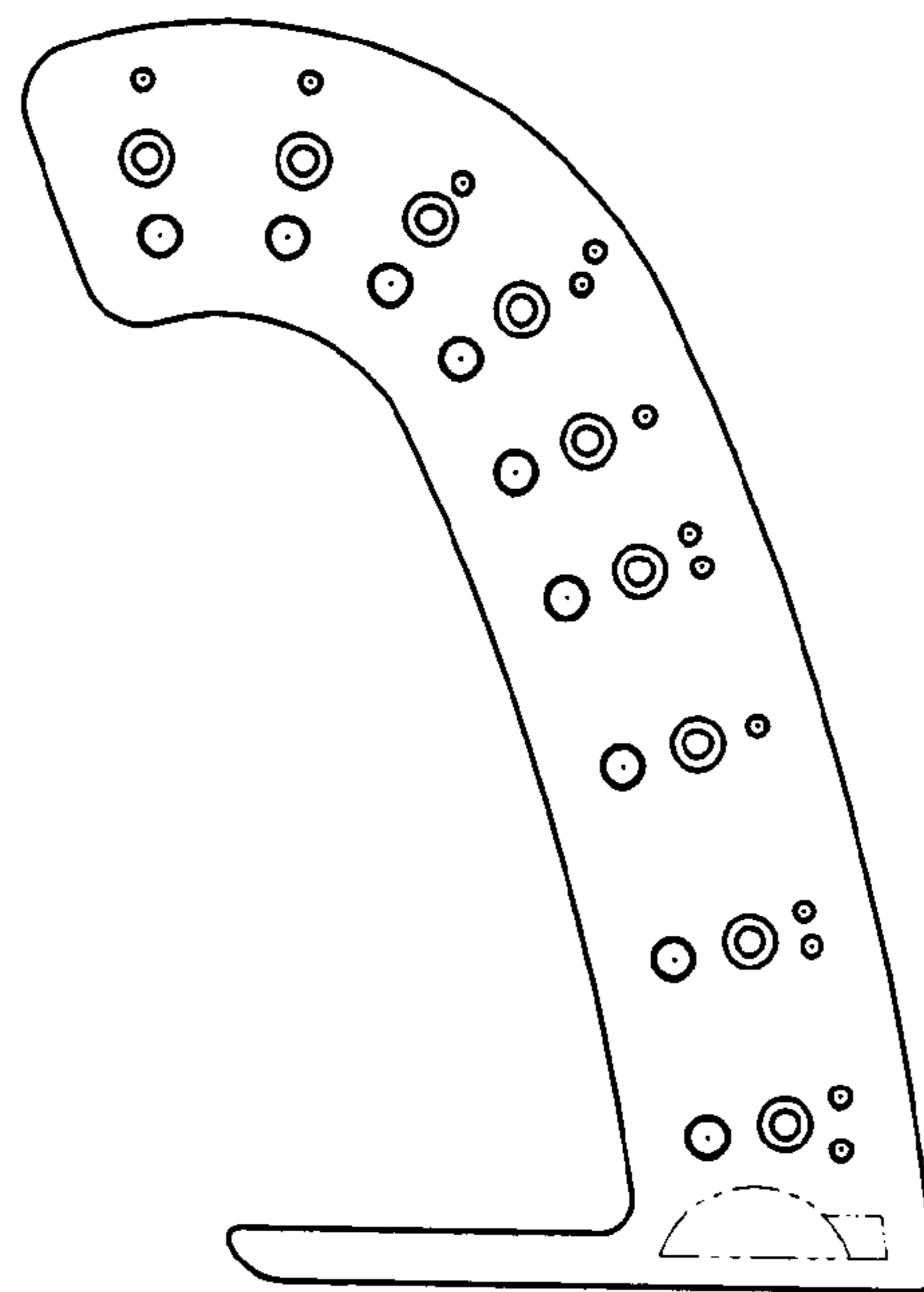


FIG. 12

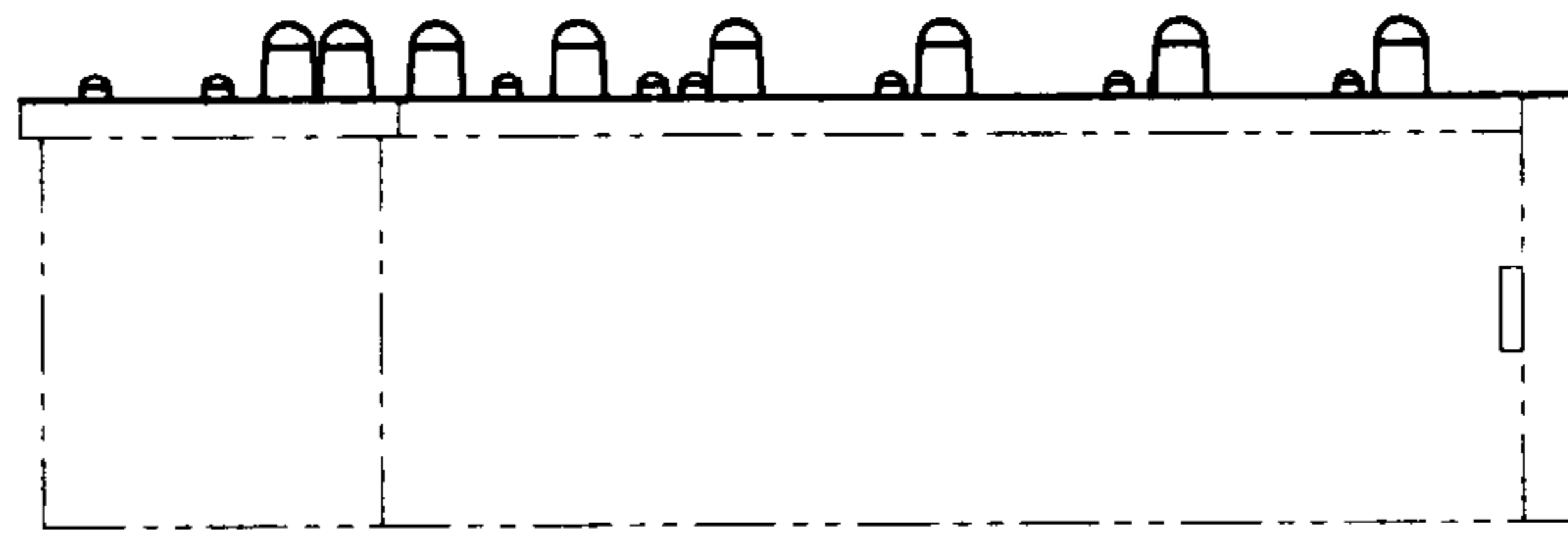


FIG. 13

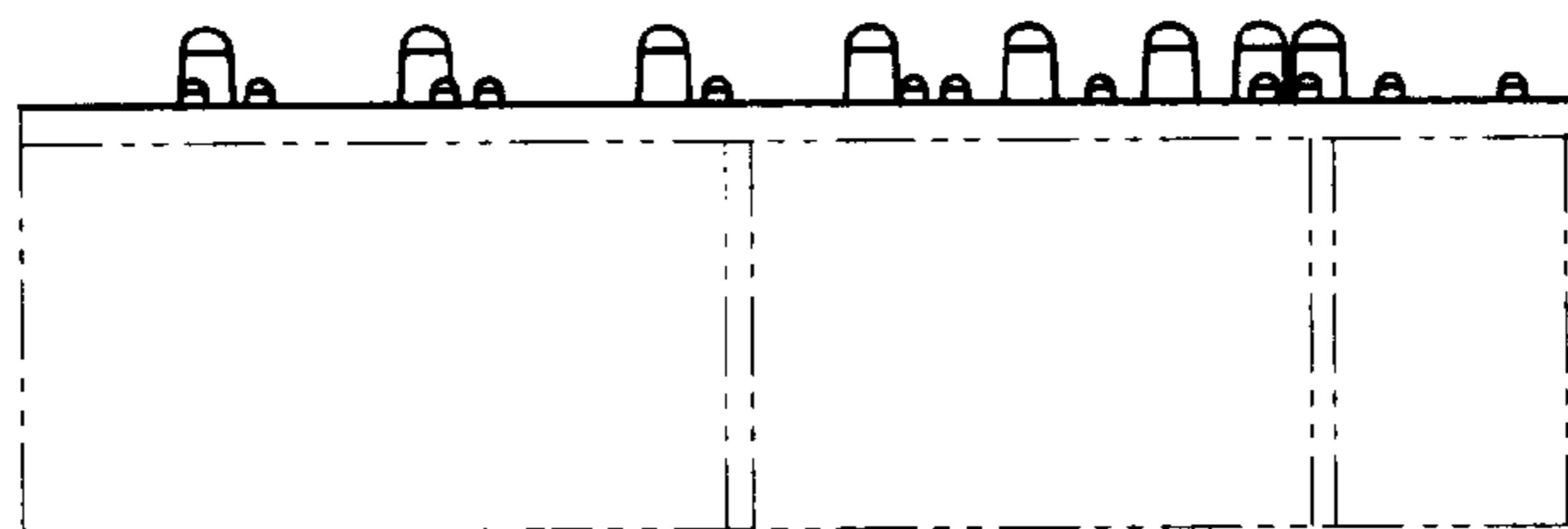


FIG. 14

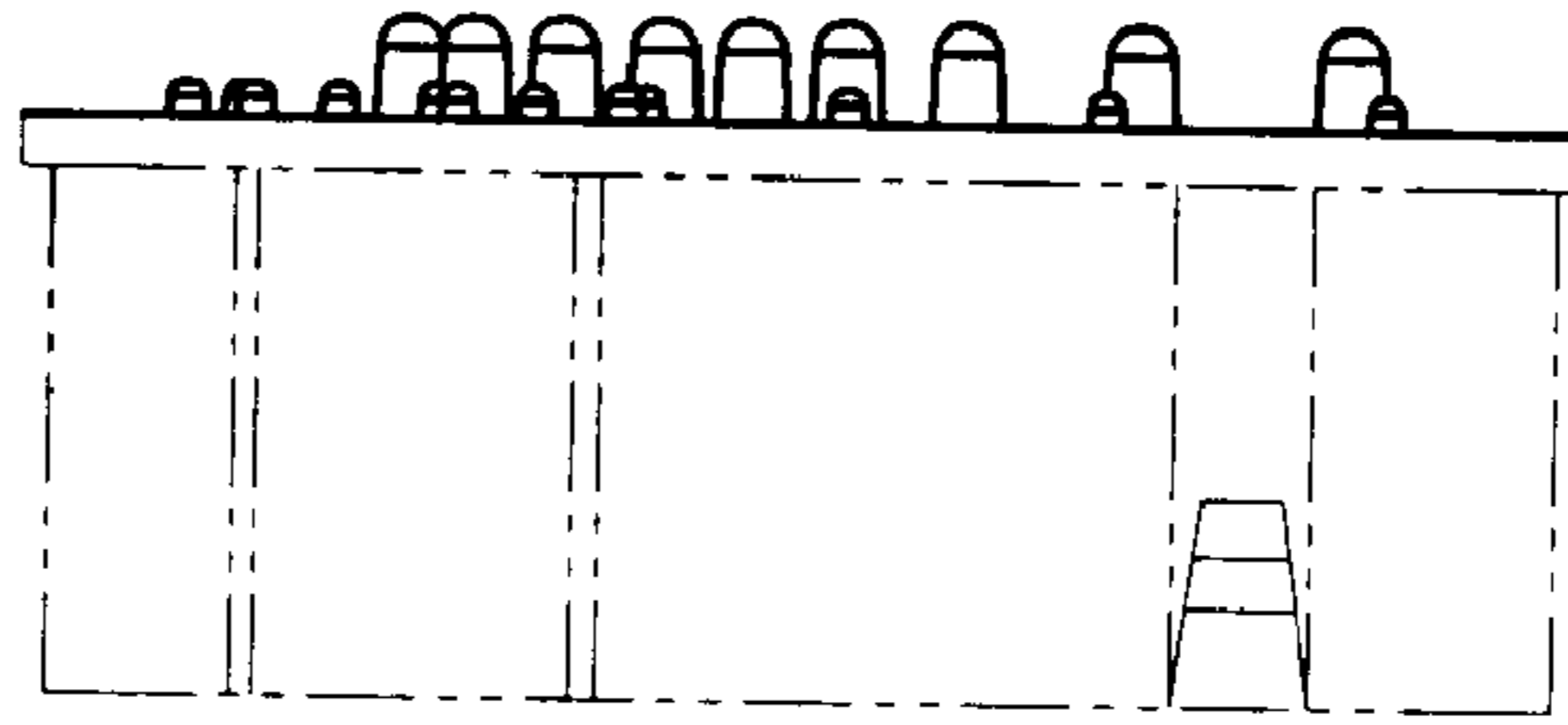


FIG. 15

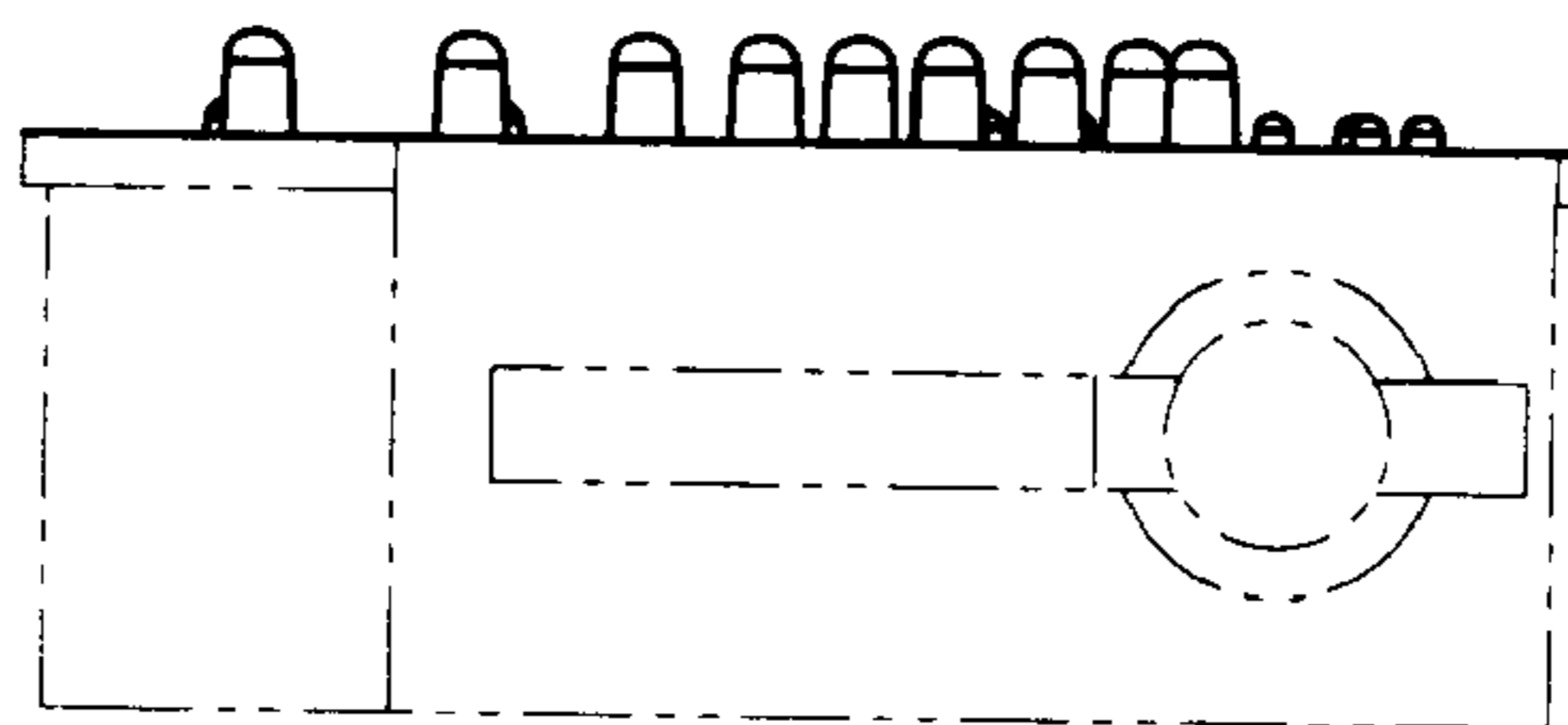


FIG. 16

