



US00D530010S

(12) **United States Design Patent** (10) **Patent No.:** **US D530,010 S**  
**Luetngen et al.** (45) **Date of Patent:** **\*\* Oct. 10, 2006**

(54) **BASE FOR AN ORAL IMPLEMENT**

WO WO04/021958 3/2004

(75) Inventors: **Harold A. Luetngen**, Windsor, CO (US); **Brian R. Williams**, Fort Collins, CO (US)

**OTHER PUBLICATIONS**

US RE27,274, 1/1972, Mattingly (withdrawn)  
BROCHURE: Woog International, "You have a 98% chance of getting gum disease. Unless you read this.", Lancaster, Pennsylvania, Feb. 1987.

(73) Assignee: **Water Pik, Inc.**, Fort Collins, CO (US)

BROCHURE: Woog International, "We put the control of home dental care back into the hands of the professional", Lancaster, Pennsylvania, Feb. 1987.

(\*\*) Term: **14 Years**

Brochure: Woog International, "Products at a Glance: Home Dental Care System" Woog Orajet, at least as early as Dec. 18, 1998.

(21) Appl. No.: **29/201,629**

WEBSITE: [http://www.just4teeth.com/product/Panasonic/Panasonic\\_Portable\\_Irrigator.htm](http://www.just4teeth.com/product/Panasonic/Panasonic_Portable_Irrigator.htm), 2 pages, at least as early as Jun. 20, 2003.

(22) Filed: **Mar. 17, 2004**

WEBSITE: [http://www.videodirectstore.com/store/merchant.mv?Screen=PROD&Product\\_Code=EW1'...](http://www.videodirectstore.com/store/merchant.mv?Screen=PROD&Product_Code=EW1'...), 2 pages, at least as early as Jun. 20, 2003.

(51) **LOC (8) Cl.** ..... **24-02**

(52) **U.S. Cl.** ..... **D24/152**

(58) **Field of Classification Search** ..... D24/133, D24/152, 111, 217, 176; D13/107, 108; 320/250, 320/115; 601/162

WEBSITE: <http://www.products.consumerguide.com/cp/family/review/index.dfm/id/18742>, 2 pages, at least as early as Jun. 20, 2003.

See application file for complete search history.

WEBSITE: <http://www.racekarteng.com/images/walbro-parts.gif> and <http://www.muller.net/mullermachine/docs/walbro1.html>, 4 pages, at least as early as Jun. 20, 2003.

(56) **References Cited**

**U.S. PATENT DOCUMENTS**

555,588 A	3/1896	Spencer
1,278,225 A	9/1918	Schamberg
1,498,267 A	6/1924	Hachman
1,681,320 A	8/1928	Bergl et al.
1,933,454 A	10/1933	Sidney
2,783,919 A	3/1957	Ansell
2,794,437 A	6/1957	Tash
2,984,452 A	5/1961	Hooper
3,089,490 A	5/1963	Goldberg
3,096,913 A	7/1963	Jousson
3,144,867 A	8/1964	Trupp et al.

*Primary Examiner*—Charles A. Rademaker  
(74) *Attorney, Agent, or Firm*—Dorsey & Whitney LLP

(57) **CLAIM**

The ornamental design for a base for an oral implement, as shown and described.

**DESCRIPTION**

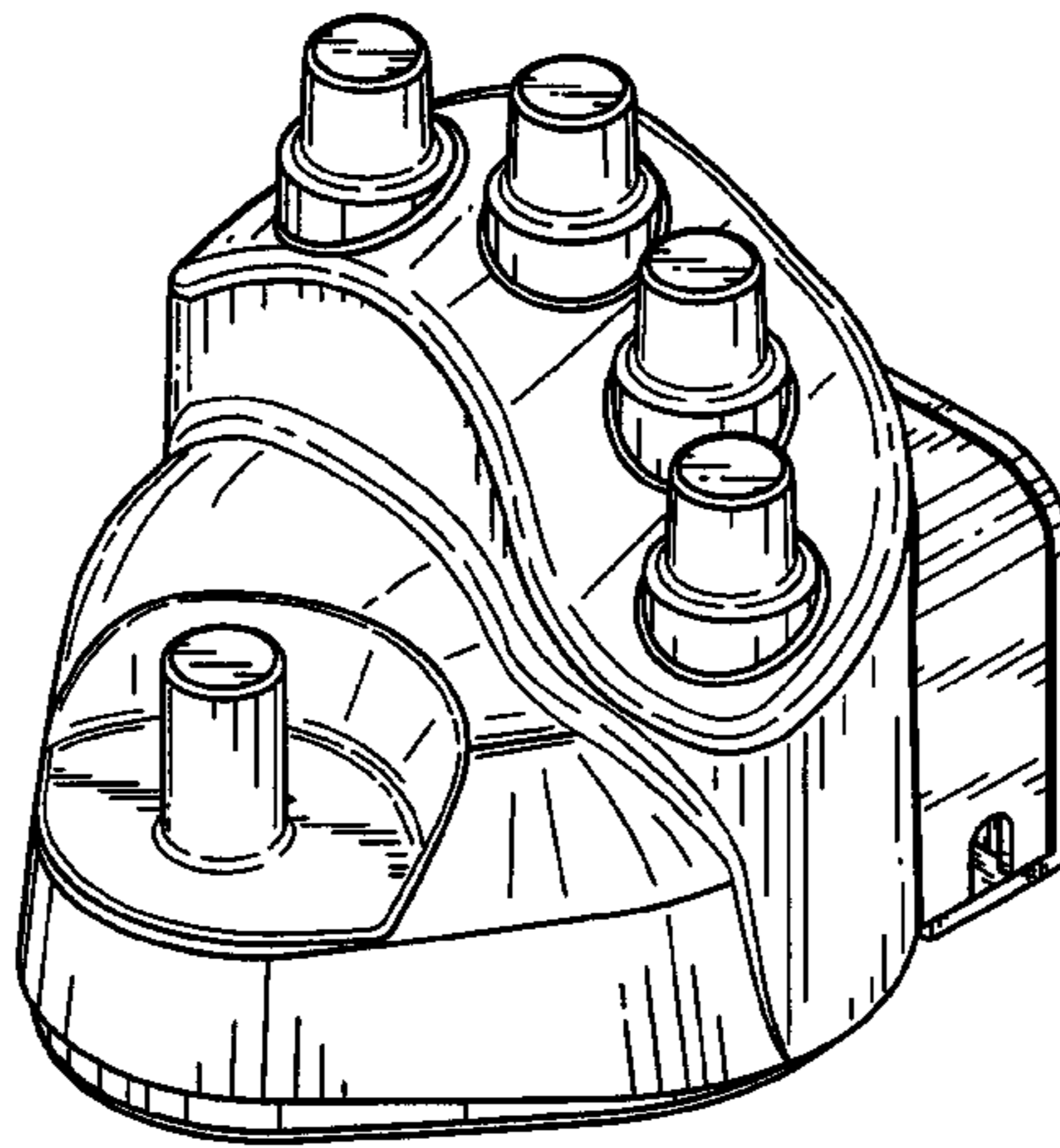
FIG. 1 is a top perspective view of a base for an oral implement showing our new design; FIG. 2 is a front elevation thereof; FIG. 3 is a rear elevation thereof; FIG. 4 is a left side elevation thereof; FIG. 5 is a right side elevation thereof; FIG. 6 is a top plan view thereof; and, FIG. 7 is a bottom plan view thereof.

**1 Claim, 4 Drawing Sheets**

(Continued)

**FOREIGN PATENT DOCUMENTS**

CA	851479	9/1970
CH	655237	4/1987
DE	1466963	5/1969
DE	2910982	2/1980
DE	254936	4/1997
EP	0023672	7/1980
GB	1182031	2/1970
GB	2018605	10/1979



# US D530,010 S

U.S. PATENT DOCUMENTS							
3,209,956	A	10/1965	McKenzie	4,319,568	A	3/1982	Tregoning
3,216,619	A	11/1965	Richards et al.	4,331,422	A	5/1982	Heyman
3,225,759	A	12/1965	Drapen et al.	4,337,040	A	6/1982	Cammack et al.
3,227,158	A	1/1966	Mattingly	4,340,365	A	7/1982	Pisanu
3,297,558	A	1/1967	Hillquist	4,340,368	A	7/1982	Lococo
D208,778	S	10/1967	Koch	D266,117	S	9/1982	Oberheim
D209,395	S	11/1967	Gilbert	4,363,626	A	12/1982	Schmidt et al.
3,370,214	A	2/1968	Aymar	4,365,376	A	12/1982	Oda et al.
3,391,696	A	7/1968	Woodward	4,370,131	A	1/1983	Banko
3,400,999	A	9/1968	Goldstein	4,374,354	A	2/1983	Petrovic et al.
3,418,552	A	12/1968	Holmes	4,382,167	A	5/1983	Maruyama et al.
3,420,228	A	1/1969	Kalbfeld	4,382,786	A	5/1983	Lohn et al.
3,453,969	A	7/1969	Mattingly	4,412,823	A	11/1983	Sakai et al.
3,465,751	A	9/1969	Powers	4,442,830	A	4/1984	Markau
3,487,828	A	1/1970	Troy	4,442,831	A	4/1984	Trenary
3,496,933	A	2/1970	Lloyd	4,452,238	A	6/1984	Kerr
3,499,440	A	3/1970	Gibbs	4,454,866	A	6/1984	Fayen
3,501,203	A	3/1970	Falk	4,512,769	A	4/1985	Kozam et al.
3,502,072	A	3/1970	Stillman	4,517,962	A	5/1985	Heckele
D218,270	S	* 8/1970	Soper ..... D13/108	4,531,912	A	7/1985	Schuss et al.
3,522,801	A	8/1970	Robinson	4,531,913	A	7/1985	Taguchi
3,536,065	A	10/1970	Moret	4,534,340	A	8/1985	Kerr et al.
3,537,444	A	11/1970	Garn	D283,374	S	4/1986	Cheuk-Yiu
3,547,110	A	12/1970	Balamuth	4,585,415	A	4/1986	Hommann
3,572,375	A	3/1971	Rosenberg	4,591,777	A	5/1986	McCarty et al.
3,578,884	A	5/1971	Jacobson	4,592,728	A	6/1986	Davis
3,583,609	A	6/1971	Oppenheimer	4,602,906	A	7/1986	Grunenfelder
3,590,813	A	7/1971	Roszyk	4,607,627	A	8/1986	Leber et al.
3,608,548	A	9/1971	Lewis	4,619,612	A	10/1986	Weber et al.
3,636,947	A	1/1972	Balamuth	4,629,425	A	12/1986	Detsch
3,651,576	A	3/1972	Massa	4,636,198	A	1/1987	Stade
3,747,595	A	7/1973	Grossan	4,644,937	A	2/1987	Hommann
3,768,472	A	10/1973	Hodosh et al.	4,645,488	A	2/1987	Matukas
3,783,364	A	1/1974	Gallannis et al.	4,647,831	A	3/1987	O'Malley et al.
3,809,977	A	5/1974	Balamuth et al.	4,648,838	A	3/1987	Schlachter
3,827,147	A	8/1974	Condon	4,650,475	A	3/1987	Smith et al.
3,840,795	A	10/1974	Roszyk et al.	4,655,198	A	4/1987	Hommann
3,854,209	A	12/1974	Franklin et al.	4,669,453	A	6/1987	Atkinson et al.
3,874,506	A	4/1975	Hill et al.	4,672,953	A	6/1987	DiVito
3,912,125	A	10/1975	Acklin	4,673,396	A	6/1987	Urbaniak
3,943,628	A	3/1976	Kronman et al.	D291,354	S	8/1987	Camens
3,973,558	A	8/1976	Stouffer et al.	4,716,352	A	12/1987	Hurn et al.
4,001,526	A	1/1977	Olson	4,770,632	A	9/1988	Ryder et al.
4,007,739	A	2/1977	Bron et al.	4,787,845	A	11/1988	Valentine
D246,667	S	12/1977	Mackay et al.	4,787,847	A	11/1988	Martin et al.
4,060,870	A	12/1977	Cannarella	4,803,974	A	2/1989	Powell
4,075,761	A	2/1978	Behne et al.	4,804,364	A	2/1989	Dieras et al.
4,108,167	A	8/1978	Hickman et al.	4,818,229	A	4/1989	Vasile
4,108,178	A	8/1978	Betush	4,820,152	A	4/1989	Warrin et al.
4,109,650	A	8/1978	Peclard	4,821,923	A	4/1989	Skorka
4,141,352	A	2/1979	Ebner et al.	4,824,368	A	4/1989	Hickman
4,144,646	A	3/1979	Takemoto et al.	4,826,431	A	5/1989	Fujimura et al.
4,154,375	A	5/1979	Bippus	4,832,683	A	5/1989	Idemoto et al.
4,160,383	A	7/1979	Rauschenberger	4,854,869	A	8/1989	Lawhorn
4,182,038	A	1/1980	Fleer	4,861,340	A	8/1989	Smith et al.
4,201,200	A	5/1980	Hubner	4,862,876	A	9/1989	Lih-Sheng
4,215,476	A	8/1980	Armstrong	4,869,720	A	9/1989	Chernack
4,219,618	A	8/1980	Leonard	4,880,382	A	11/1989	Moret et al.
4,227,878	A	10/1980	Lohn	4,886,452	A	12/1989	Lohn
4,229,634	A	10/1980	Hickman et al.	4,902,225	A	2/1990	Lohn
4,236,889	A	12/1980	Wright	4,903,687	A	2/1990	Lih-Sheng
4,248,589	A	2/1981	Lewis	4,906,187	A	3/1990	Amadera
4,249,899	A	2/1981	Davis	4,928,675	A	5/1990	Thornton
4,266,934	A	5/1981	Pernot	4,941,459	A	7/1990	Mathur
4,276,023	A	6/1981	Phillips et al.	4,950,159	A	8/1990	Hansen
4,276,880	A	7/1981	Malmin	4,958,629	A	9/1990	Peace et al.
4,302,186	A	11/1981	Cammack et al.	4,958,751	A	9/1990	Curtis et al.
4,303,064	A	12/1981	Buffa	4,961,698	A	10/1990	Vlock
4,303,070	A	12/1981	Ichikawa et al.	4,969,874	A	11/1990	Michel et al.
4,315,741	A	2/1982	Reichl	4,973,247	A	11/1990	Varnes et al.
				4,973,250	A	11/1990	Milman



# US D530,010 S

4,975,054 A	12/1990	Esrock	5,487,877 A	1/1996	Choi
4,979,503 A	12/1990	Chernack	5,490,779 A	2/1996	Malmin
4,979,504 A	12/1990	Mills	D369,656 S	5/1996	Vos
4,989,590 A	2/1991	Baum et al.	5,525,058 A	6/1996	Gallant et al.
4,998,880 A	3/1991	Nerli	5,526,841 A	6/1996	Detsch et al.
5,013,241 A	5/1991	von Gutfeld et al.	5,540,587 A	7/1996	Malmin
5,027,798 A	7/1991	Primiano	5,547,374 A	8/1996	Coleman
5,029,576 A	7/1991	Evans, Sr.	D373,631 S	9/1996	Maeda et al.
5,033,961 A	7/1991	Kankler et al.	5,554,025 A	9/1996	Kinsel
D318,918 S	8/1991	Hartwein	5,616,028 A	4/1997	Hafele et al.
5,049,071 A	9/1991	Davis et al.	5,634,791 A	6/1997	Matsuura et al.
5,082,443 A	1/1992	Lohn	5,636,987 A	6/1997	Serfaty
5,086,756 A	2/1992	Powell	5,640,735 A	6/1997	Manning
5,095,893 A	3/1992	Rawden, Jr.	5,667,483 A	9/1997	Santos
5,098,291 A	3/1992	Curtis et al.	5,697,784 A	12/1997	Hafele et al.
5,125,835 A	6/1992	Young	5,709,545 A	1/1998	Johnston et al.
5,127,831 A	7/1992	Bab	5,716,007 A	2/1998	Nottingham et al.
5,142,723 A	9/1992	Lustig et al.	5,749,726 A	5/1998	Kinsel
5,150,841 A	9/1992	Silvenis et al.	D403,511 S	1/1999	Serbinski
5,197,458 A	3/1993	Ito et al.	5,876,201 A	3/1999	Wilson et al.
5,197,460 A	3/1993	Ito et al.	D413,975 S	9/1999	Maeda
5,199,871 A	4/1993	Young	D417,082 S	11/1999	Classen et al.
5,203,697 A	4/1993	Malmin	5,993,402 A	11/1999	Sauer et al.
5,204,004 A	4/1993	Johnston et al.	6,030,215 A	2/2000	Ellion et al.
5,208,933 A	5/1993	Lustig et al.	D425,615 S	5/2000	Bachman et al.
5,218,956 A	6/1993	Handler et al.	D425,981 S	5/2000	Bachman et al.
5,220,914 A	6/1993	Thompson	6,056,710 A	5/2000	Bachman et al.
5,230,624 A	7/1993	Wolf et al.	D426,633 S *	6/2000	Bachman et al. .... D24/111
5,232,687 A	8/1993	Geimer	6,124,699 A	9/2000	Suzuki et al.
5,235,968 A	8/1993	Woog	D434,500 S *	11/2000	Pollock et al. .... D24/176
5,246,367 A	9/1993	Ito et al.	6,159,006 A	12/2000	Cook et al.
5,252,064 A	10/1993	Baum et al.	D435,905 S	1/2001	Bachman et al.
5,257,933 A	11/1993	Jousson	D439,781 S	4/2001	Spore
D341,943 S	12/1993	Si-Hoe	D441,861 S *	5/2001	Hafliger ..... D24/111
5,267,586 A	12/1993	Jankavaara	6,247,929 B1	6/2001	Bachman et al.
5,269,684 A	12/1993	Fischer	6,475,173 B1	11/2002	Bachman et al.
5,281,137 A	1/1994	Jousson	D470,660 S	2/2003	Schaber
5,281,139 A	1/1994	Frank et al.	D475,346 S *	6/2003	McCurrach et al. .... D13/108
5,282,745 A	2/1994	Wiltrout et al.	6,632,091 B1	10/2003	Cise et al.
5,286,192 A	2/1994	Dixon	D482,451 S *	11/2003	Page et al. .... D24/176
5,286,201 A	2/1994	Yu	6,659,674 B1	12/2003	Carlucci et al.
5,297,962 A	3/1994	O'Connor et al.	D486,573 S	2/2004	Callaghan et al.
D346,212 S	4/1994	Hosl	6,689,078 B1	2/2004	Rehkemper et al.
5,302,123 A	4/1994	Bechard	6,699,208 B1 *	3/2004	Bachman et al. .... 601/162
5,317,691 A	5/1994	Traeger	6,719,561 B1	4/2004	Gugel et al.
5,321,865 A	6/1994	Kaeser	6,739,782 B1	5/2004	Rehkemper et al.
5,344,317 A	9/1994	Pacher et al.	D492,996 S	7/2004	Rehkemper et al.
D351,892 S	10/1994	Wolf et al.	6,766,549 B1	7/2004	Klupt
5,360,338 A	11/1994	Waggoner	D495,142 S	8/2004	Berde
5,368,548 A	11/1994	Jousson	D495,143 S	8/2004	Berde
5,370,534 A	12/1994	Wolf et al.	6,779,216 B1	8/2004	Davies et al.
D354,168 S	1/1995	Hartwein	D499,885 S	12/2004	Xi
5,378,149 A	1/1995	Stropko	6,884,069 B1	4/2005	Goldman
5,380,201 A	1/1995	Kawata	2001/0055742 A1	12/2001	Hood et al.
D356,864 S	3/1995	Woog	2002/0193716 A1 *	12/2002	Bachman et al. .... 601/162
5,399,089 A	3/1995	Eichman et al.	2003/0190581 A1	10/2003	Segal
D358,883 S	5/1995	Vos	2003/0213075 A1	11/2003	Hui et al.
5,456,672 A	10/1995	Diederich et al.	2004/0122377 A1	6/2004	Fischer et al.
5,468,148 A	11/1995	Ricks	2004/0209222 A1	10/2004	Snyder et al.
5,470,305 A	11/1995	Arnett et al.	2005/0004498 A1 *	1/2005	Klupt ..... 601/162
5,474,450 A	12/1995	Chronister			
5,474,451 A	12/1995	Dalrymple et al.			
5,484,281 A	1/1996	Renow et al.			

\* cited by examiner

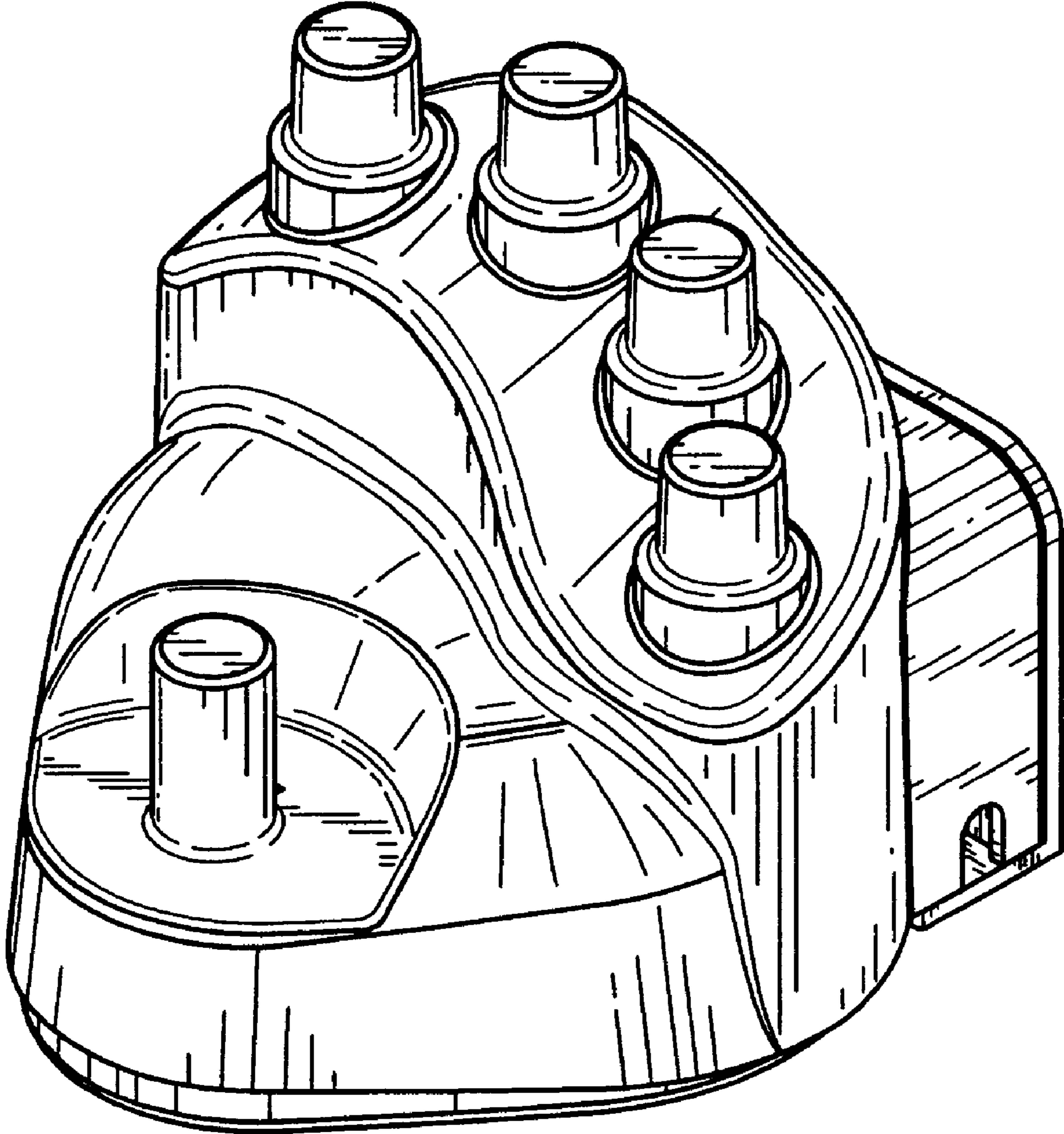


FIG.1

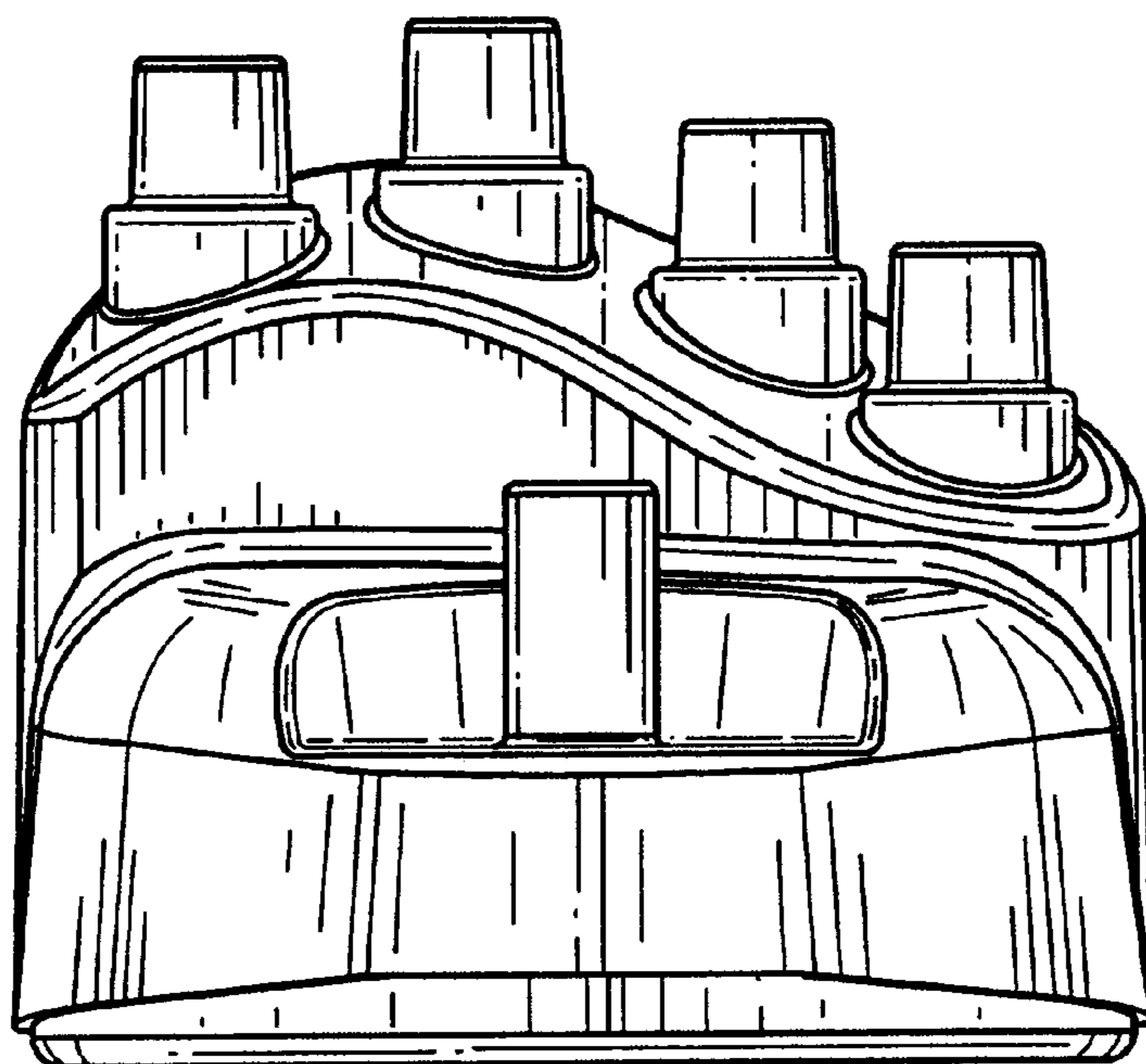


FIG.2

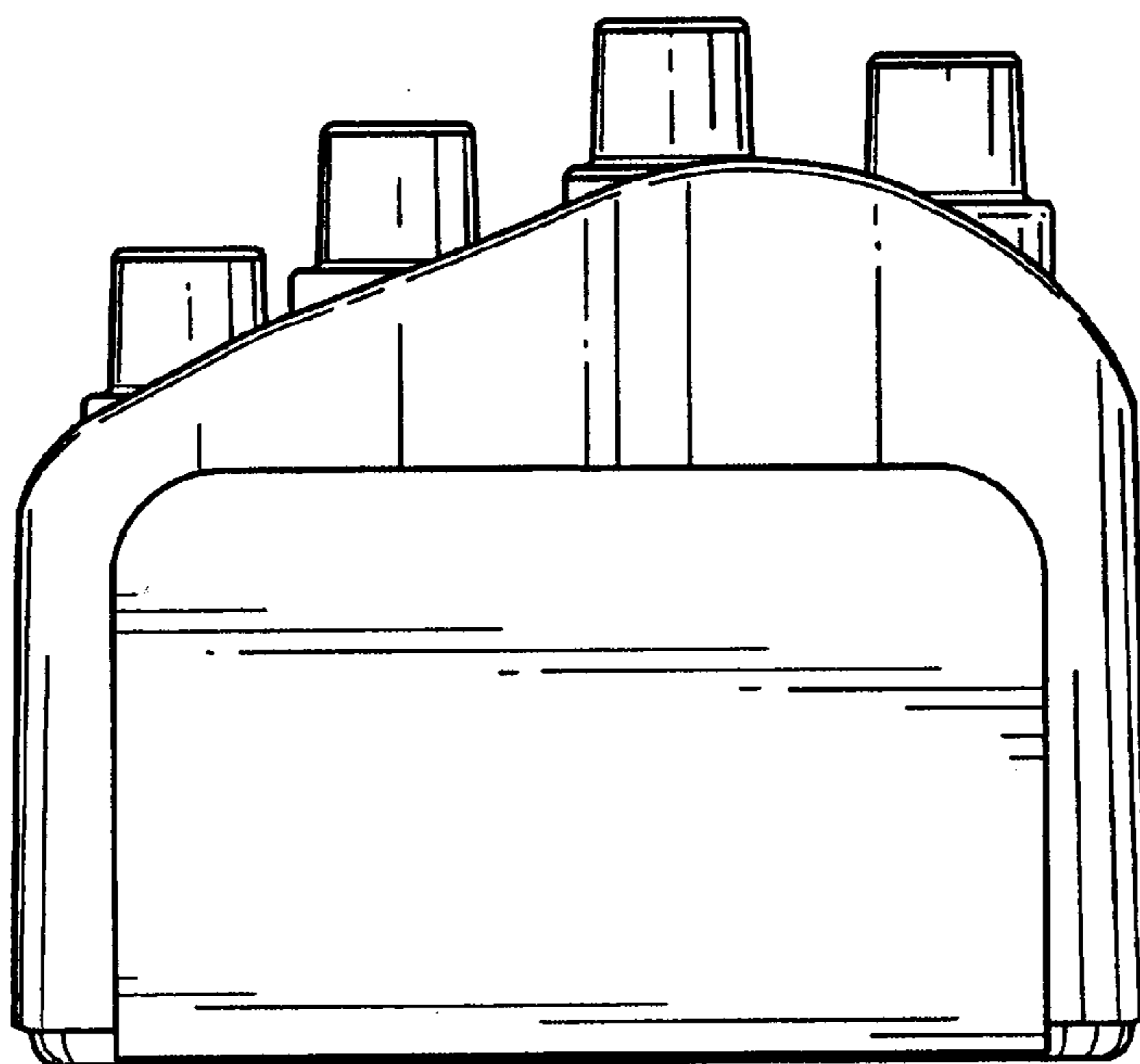


FIG.3

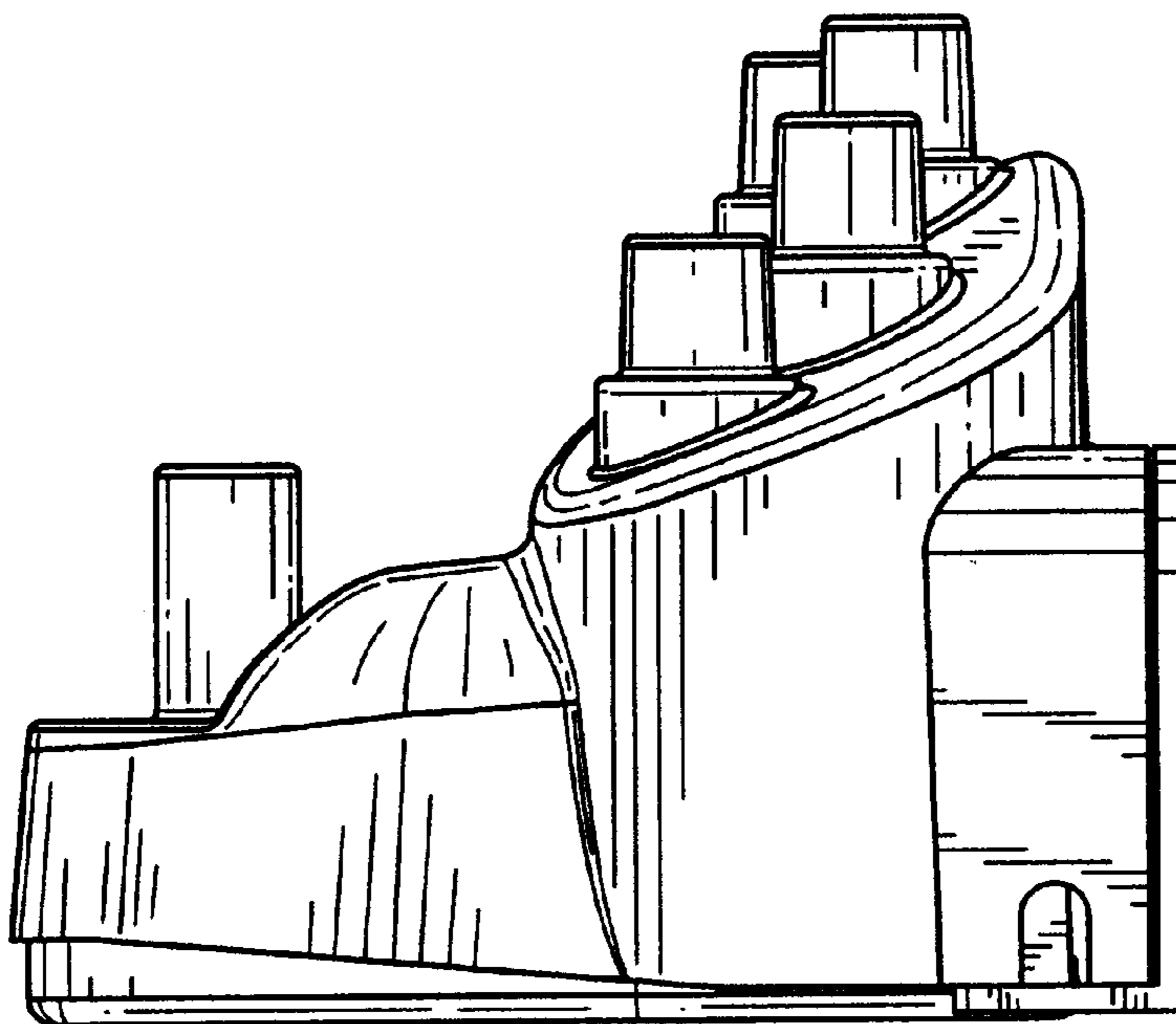


FIG. 4

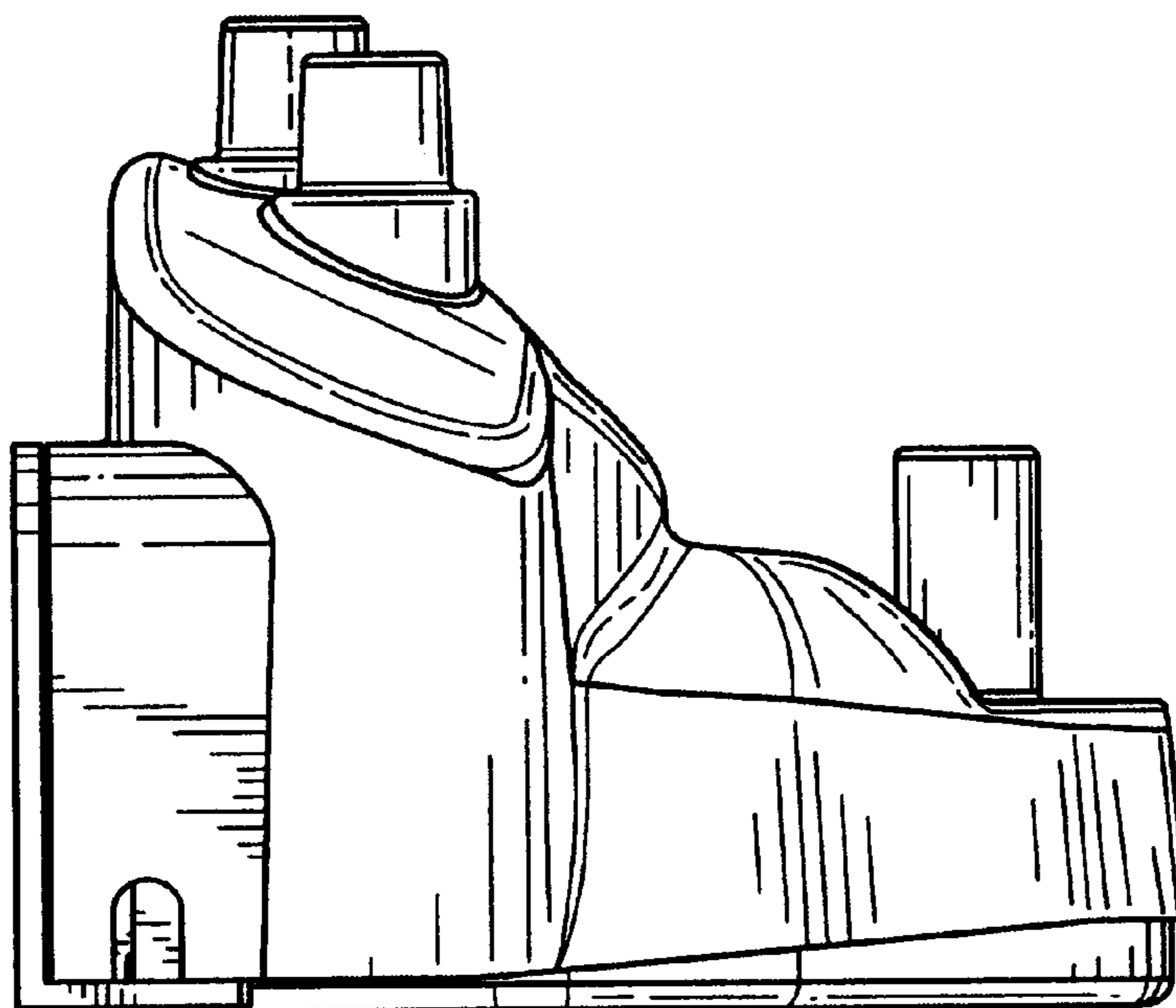


FIG. 5



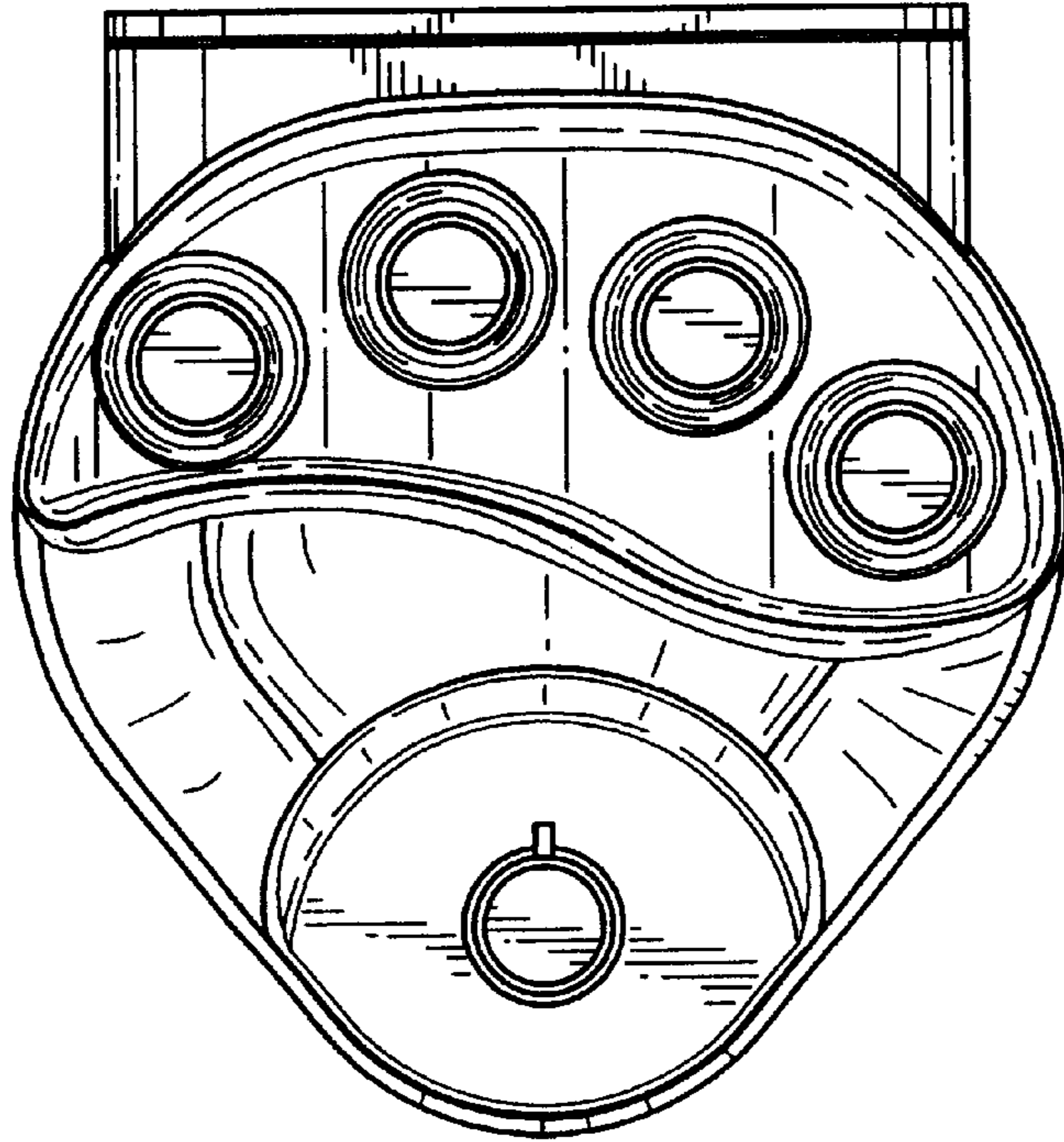


FIG.6

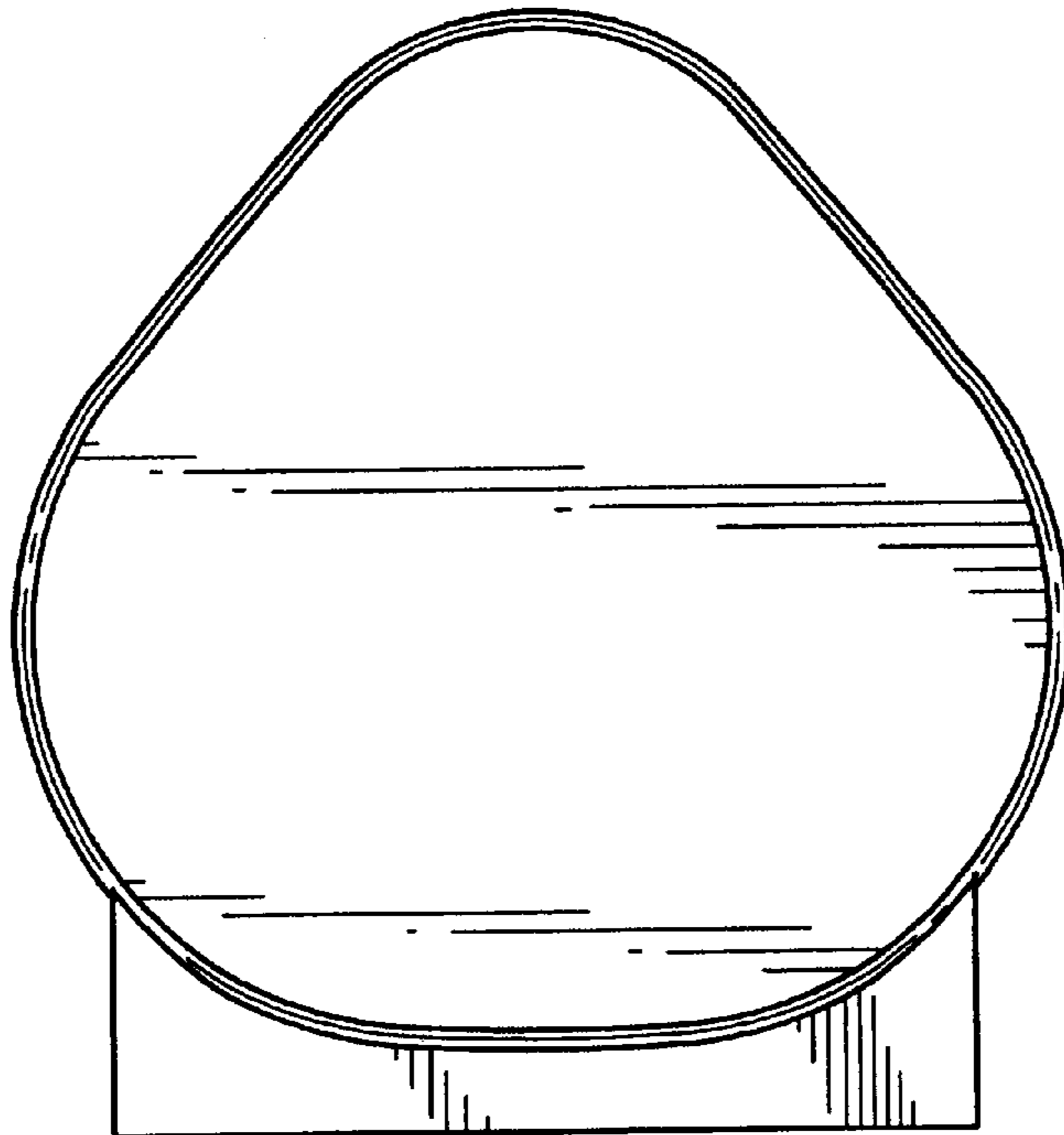


FIG.7