



US00D530006S

(12) **United States Design Patent**
Li et al.

(10) **Patent No.:** **US D530,006 S**

(45) **Date of Patent:** **** Oct. 10, 2006**

(54) **CENTRIFUGAL FAN WHEEL**

6,540,476 B1 * 4/2003 Huang et al. 415/98

(75) Inventors: **Nien-Lun Li**, Hsin-Chuang (TW);
Fu-Yin Wang, Hsin-Chuang (TW)

* cited by examiner

Primary Examiner—Lisa Lichtenstein

(73) Assignee: **Datech Technology Co., Ltd.**, Taipei
Hsien (TW)

(74) *Attorney, Agent, or Firm*—Troxell Law Office, PLLC

(**) Term: **14 Years**

(57) **CLAIM**

The ornamental design for a centrifugal fan wheel, as shown and described.

(21) Appl. No.: **29/189,026**

DESCRIPTION

(22) Filed: **Aug. 28, 2003**

(51) **LOC (8) Cl.** **23-04**

(52) **U.S. Cl.** **D23/414**

(58) **Field of Classification Search** D23/414,
D23/411; 416/185, 186 R, 187–188
See application file for complete search history.

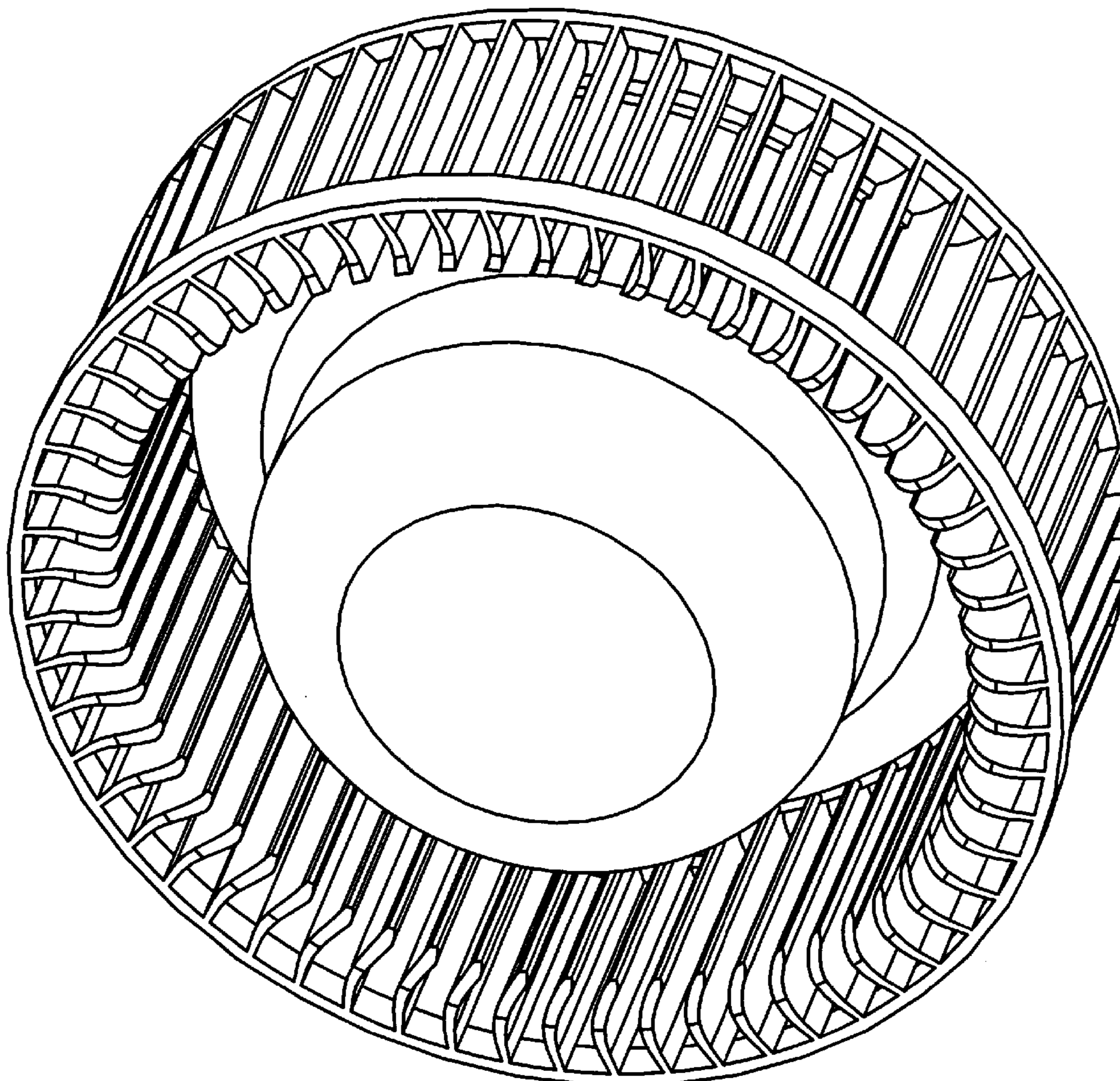
FIG. 1 is a perspective view of a centrifugal fan wheel, in accordance with the present invention;
FIG. 2 is a front elevational view thereof;
FIG. 3 is a rear elevational view thereof;
FIG. 4 is a left side elevational view thereof;
FIG. 5 is a right side elevational view thereof;
FIG. 6 is a top plan view thereof;
FIG. 7 is a bottom plan view thereof; and,
FIG. 8 is a cross-sectional view taken on line 8—8 in FIG. 2.

(56) **References Cited**

U.S. PATENT DOCUMENTS

D227,012 S * 5/1973 Ranz D23/414
D438,950 S * 3/2001 Frampton D23/411

1 Claim, 8 Drawing Sheets



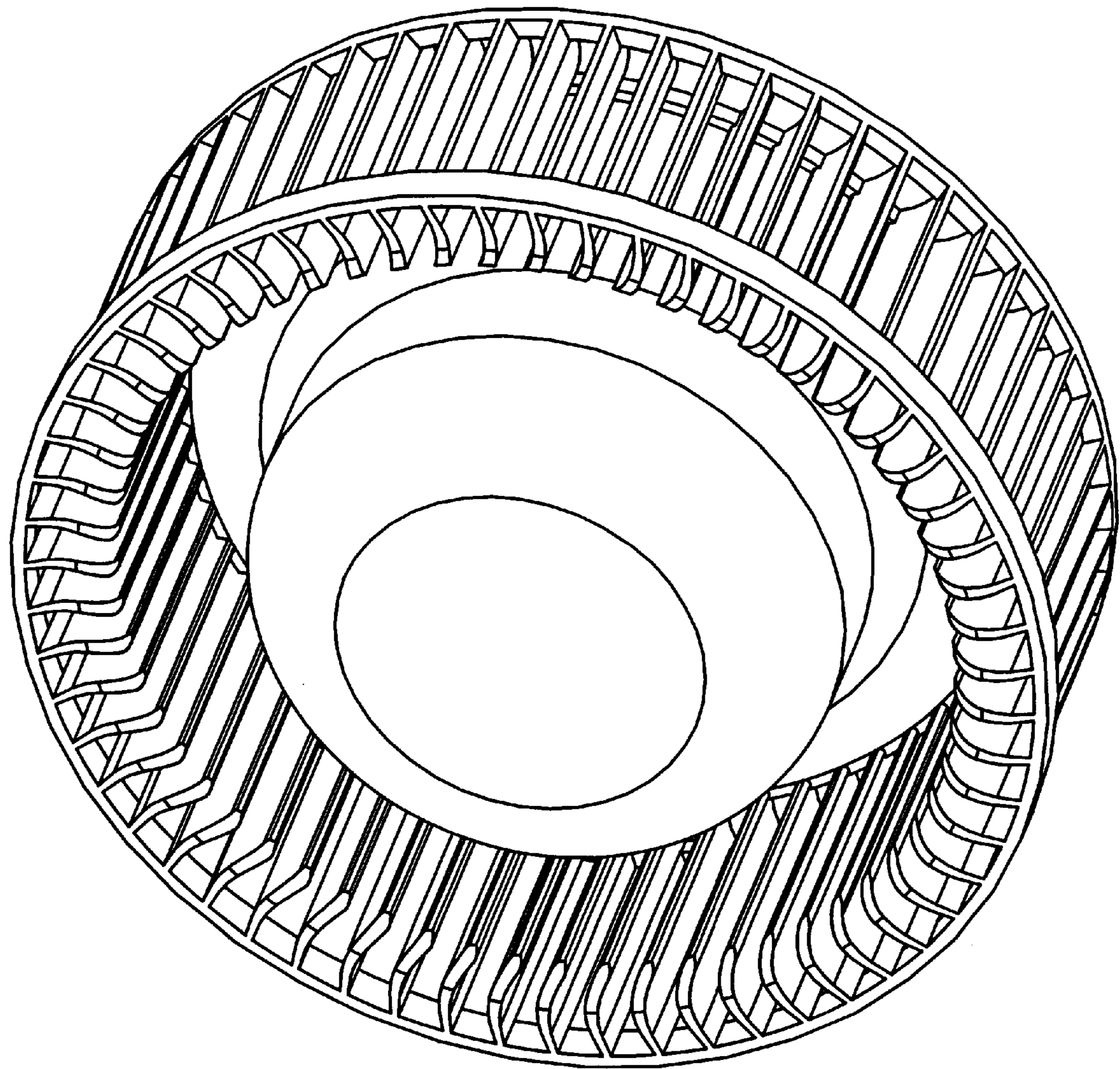


FIG. 1

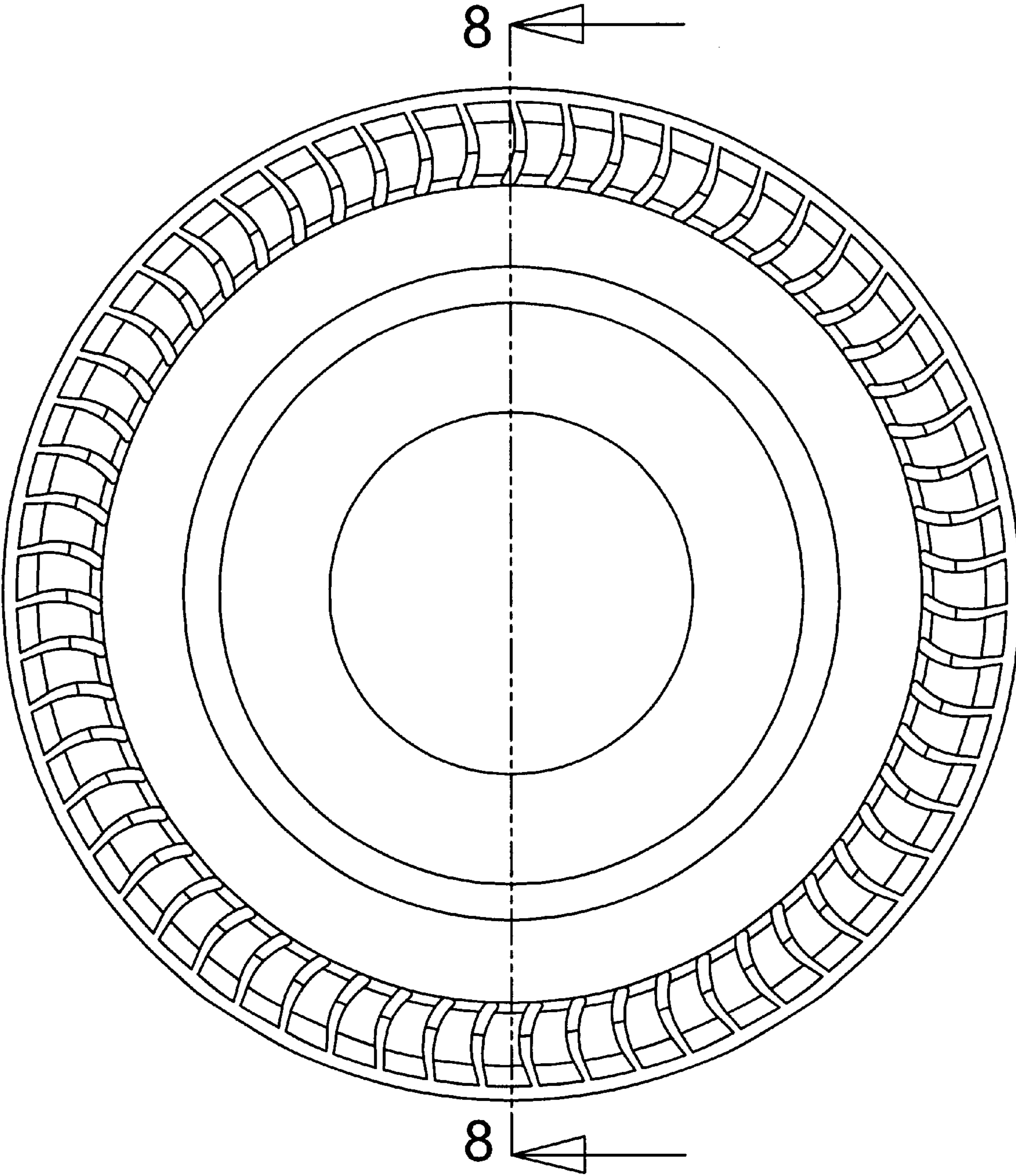


FIG. 2

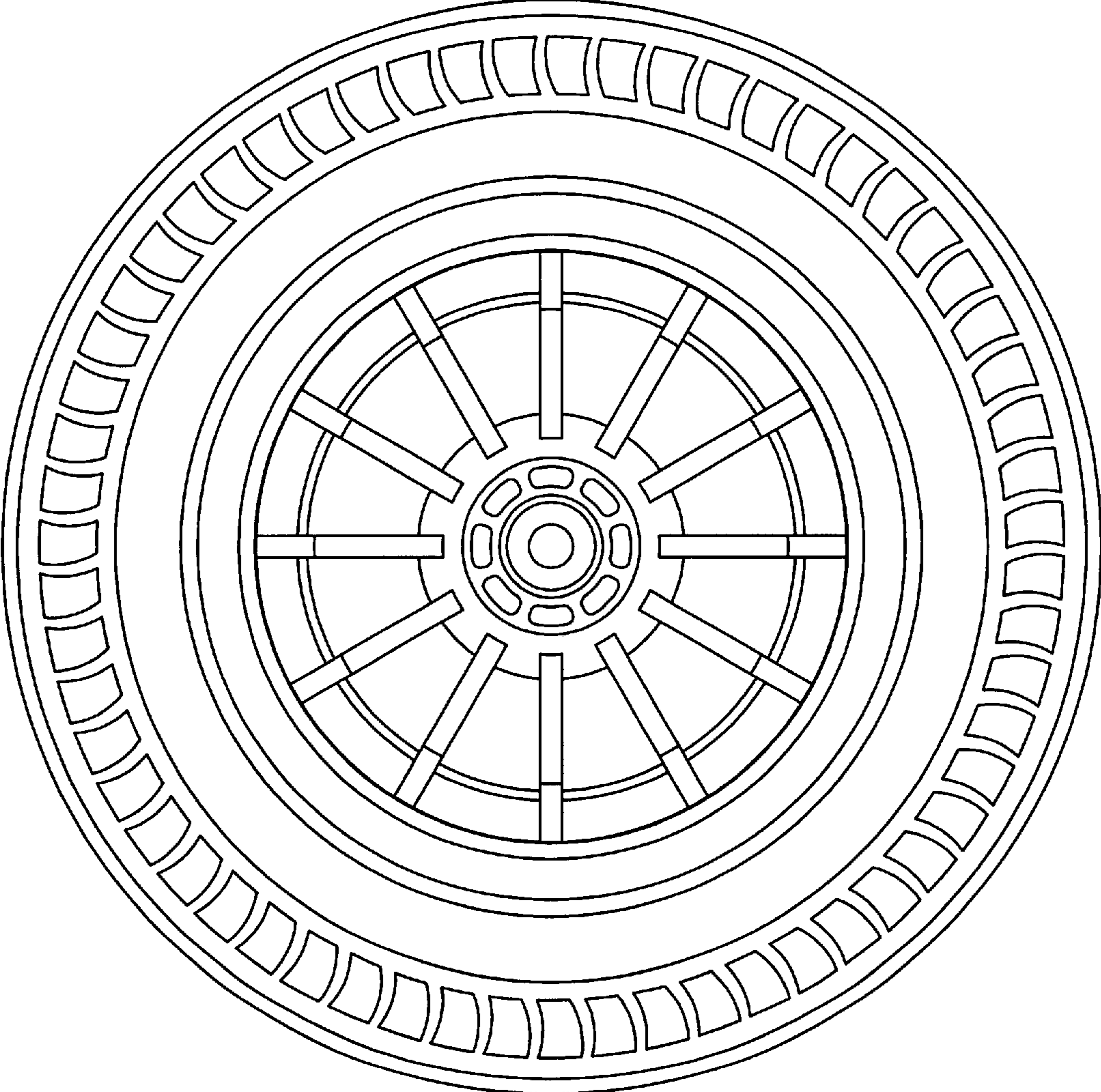


FIG. 3

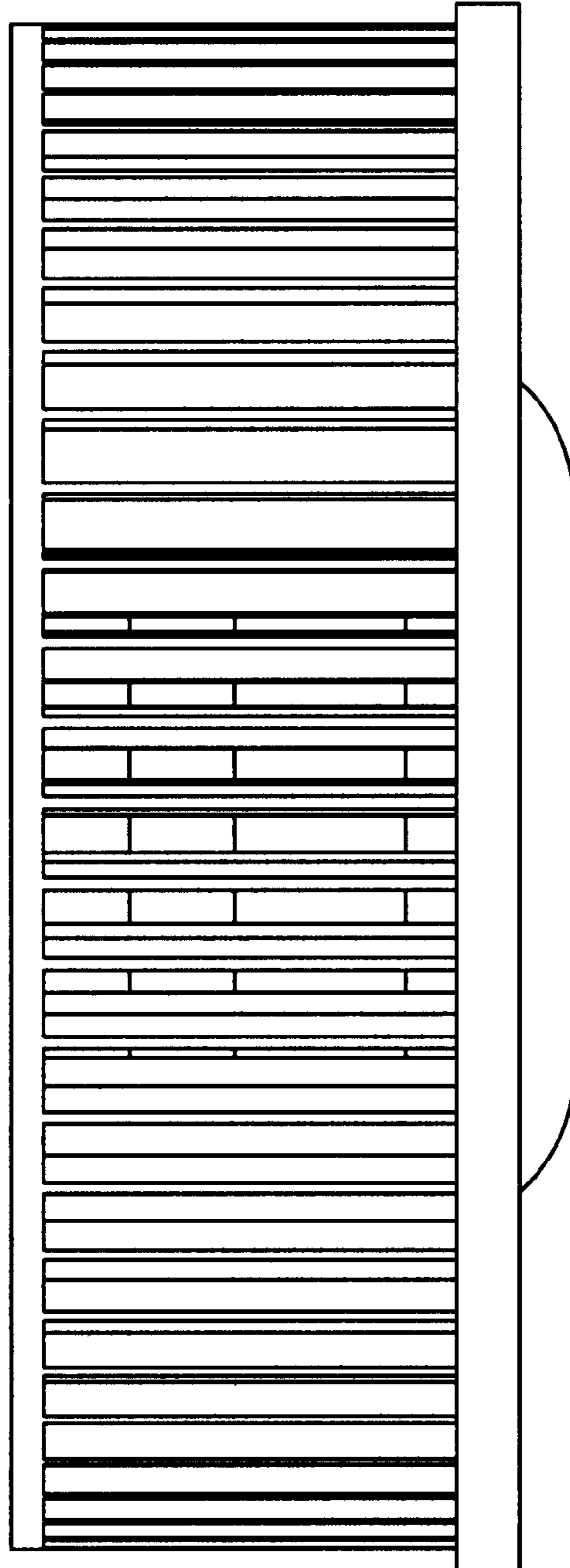


FIG. 4

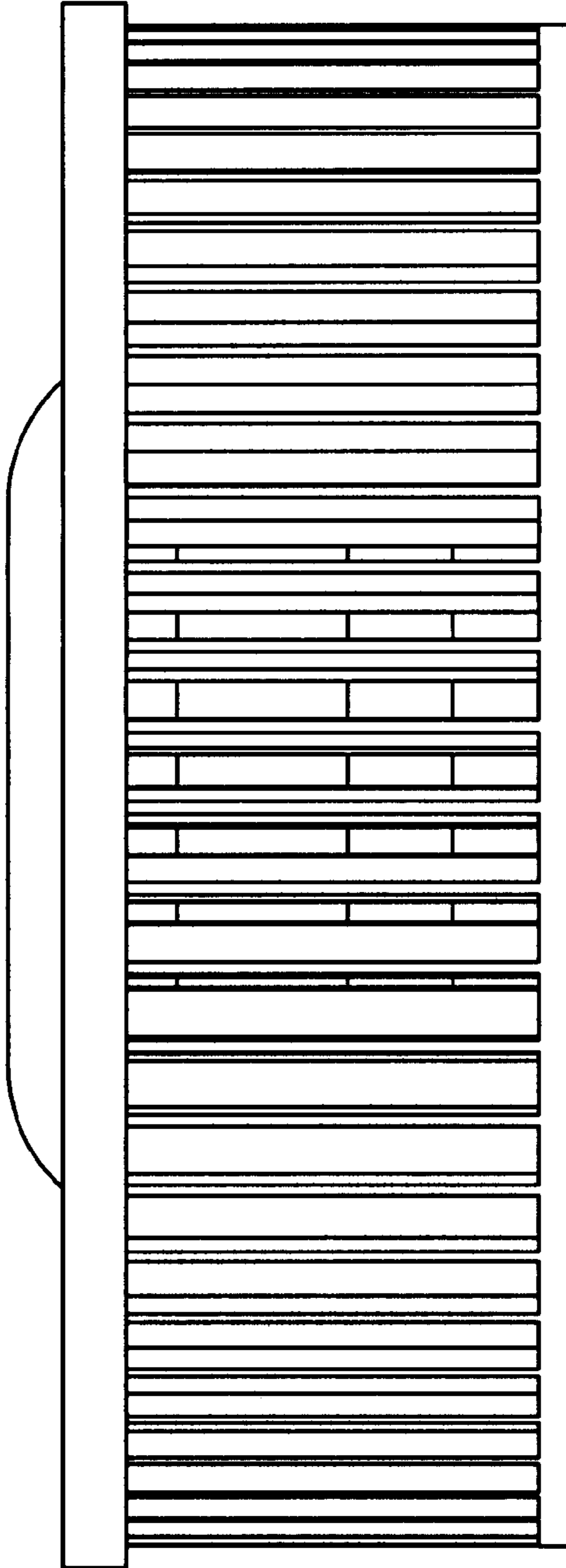


FIG. 5

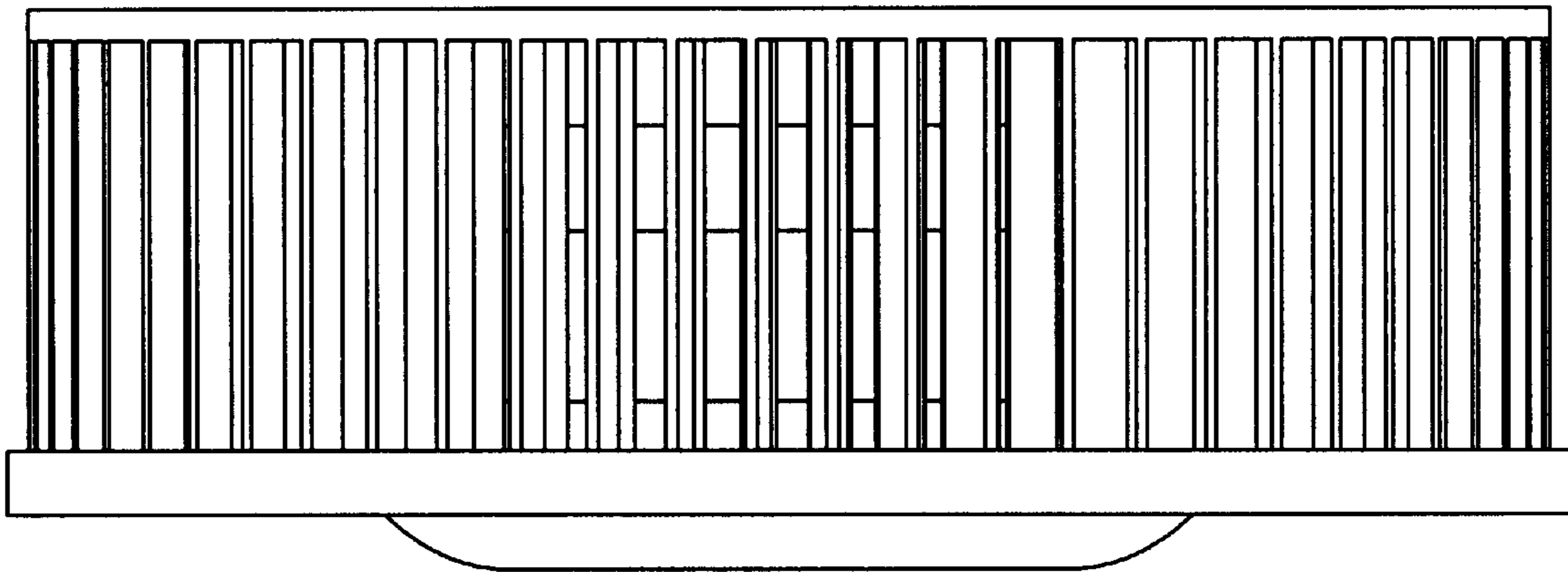


FIG. 6

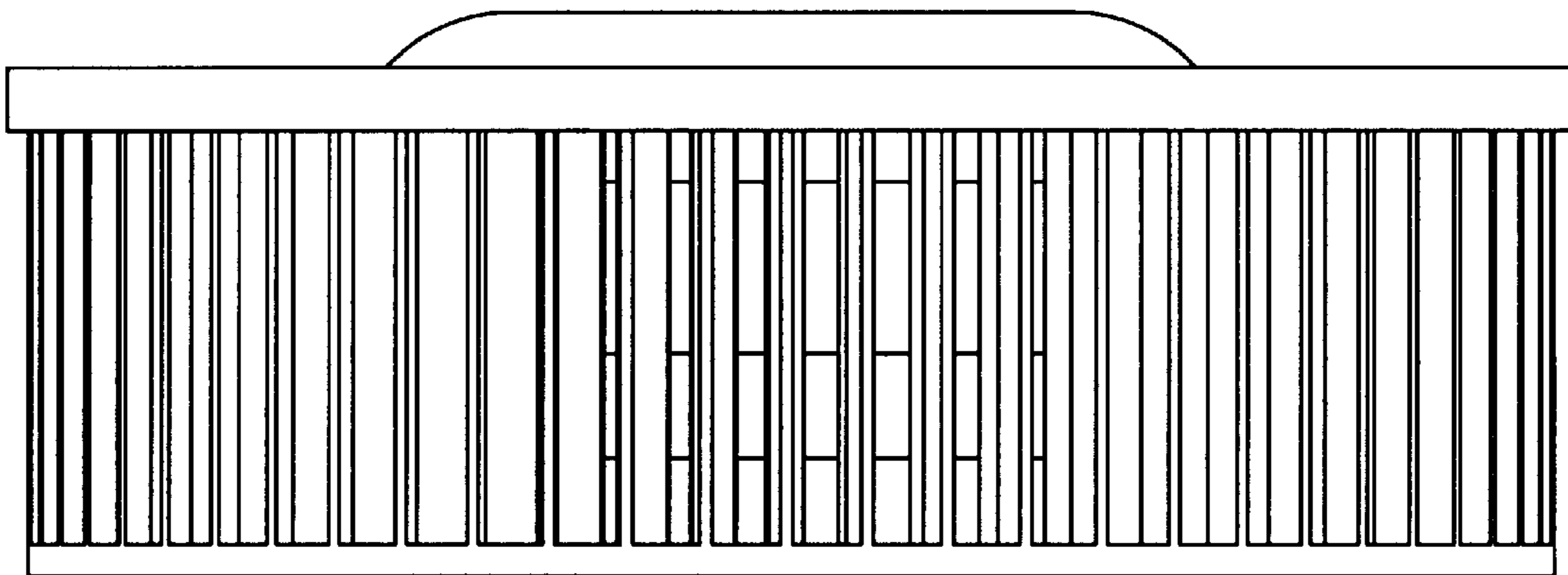


FIG. 7

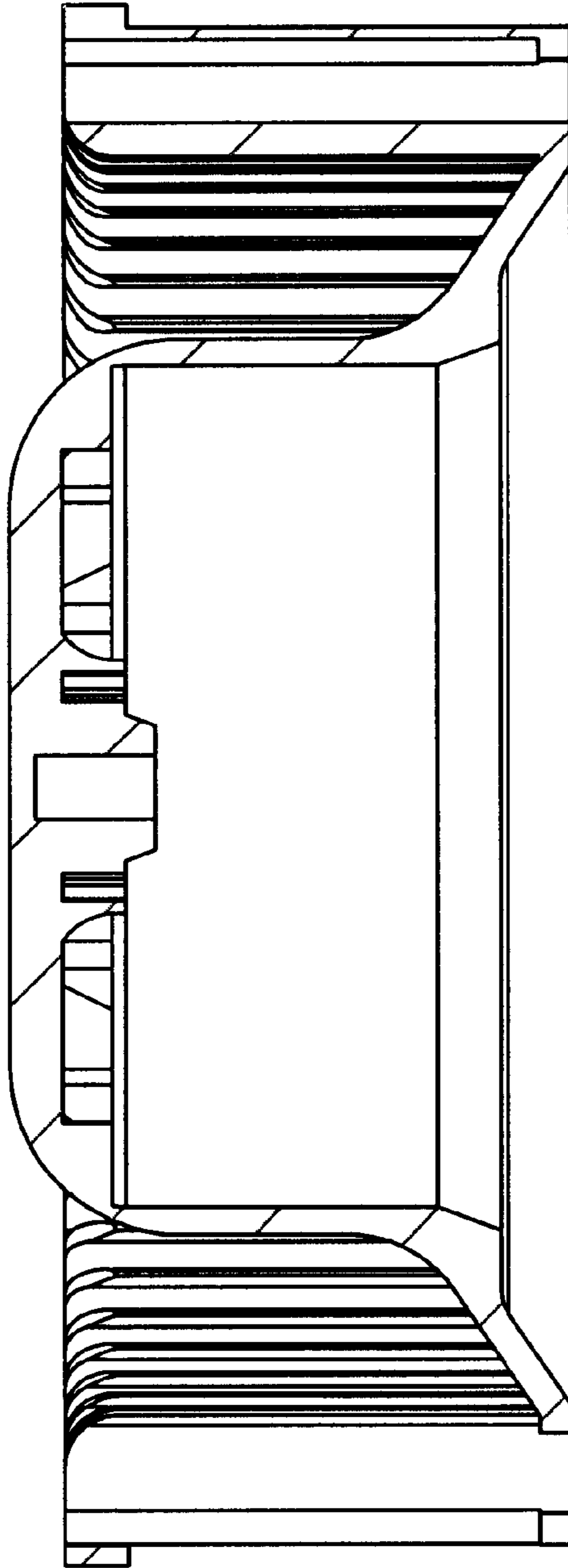


FIG. 8