

US00D530004S

(12) **United States Design Patent** (10) **Patent No.:** **US D530,004 S**
Curtin (45) **Date of Patent:** **** Oct. 10, 2006**

(54) **CEILING FAN HOUSING**

(75) Inventor: **Brett Curtin**, Phoenix, AZ (US)

(73) Assignee: **Craftmade International, Inc.**,
Coppell, TX (US)

(**) Term: **14 Years**

(21) Appl. No.: **29/241,934**

(22) Filed: **Nov. 2, 2005**

(51) **LOC (8) Cl.** **23-04**

(52) **U.S. Cl.** **D23/411**

(58) **Field of Classification Search** D23/411,
D23/377, 379, 385; 416/5; 392/364
See application file for complete search history.

MinkaAire Two Thousand One; The Art of Air Management; Mar. 2002; pp. 14 and 15; Minka Lighting, Inc.; U.S.A.

The Concept II 52" & 44" Fan; MinkaAire; pp. 20 and 21; Minka Lighting, Inc.; U.S.A.

* cited by examiner

Primary Examiner—Lisa Lichtenstein

(74) *Attorney, Agent, or Firm*—Haynes and Boone, LLP

(57) **CLAIM**

The ornamental design for a ceiling fan housing, as shown and described.

(56) **References Cited**

U.S. PATENT DOCUMENTS

| | | | | | |
|-------------|---|---------|-------------|-------|---------|
| D406,332 S | * | 3/1999 | Liu | | D23/411 |
| 6,059,531 A | | 5/2000 | Tai | | |
| D464,424 S | * | 10/2002 | Campbell | | D23/411 |
| D475,782 S | | 6/2003 | Hidalgo | | |
| D476,408 S | | 6/2003 | Hidalgo | | |
| D478,654 S | | 8/2003 | Hidalgo | | |
| D478,974 S | | 8/2003 | Hidalgo | | |
| D478,980 S | | 8/2003 | Hidalgo | | |
| D499,479 S | * | 12/2004 | Thomas, Jr. | | D23/411 |

OTHER PUBLICATIONS

MinkaAire; 1997 (estimated date of publication); pp. 6 and 7; Minka Lighting, Inc.; U.S.A.
MinkaAire Two Thousand One; Oct. 5, 2000; pp. 8 and 9; Minka Lighting, Inc.; U.S.A.

DESCRIPTION

FIG. 1 is a perspective view of the ceiling fan housing showing my new design;

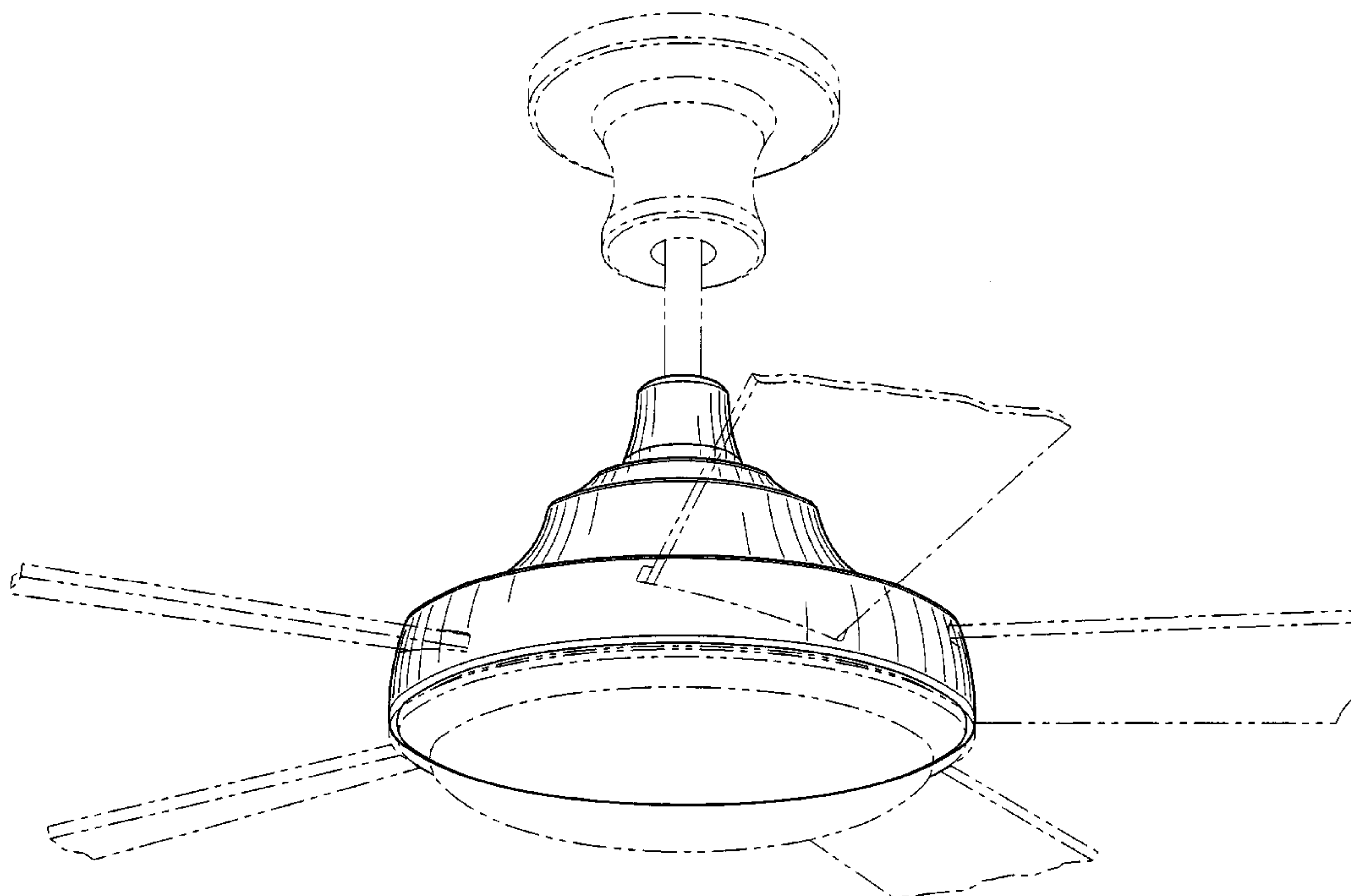
FIG. 2 is a front elevational view thereof, the left side elevational view, the right side elevational view, and the rear elevational view being the same;

FIG. 3 is a top plan view thereof; and,

FIG. 4 is a bottom plan view thereof.

Any broken line illustration of environmental structure in the drawings is not part of the design sought to be patented.

1 Claim, 3 Drawing Sheets



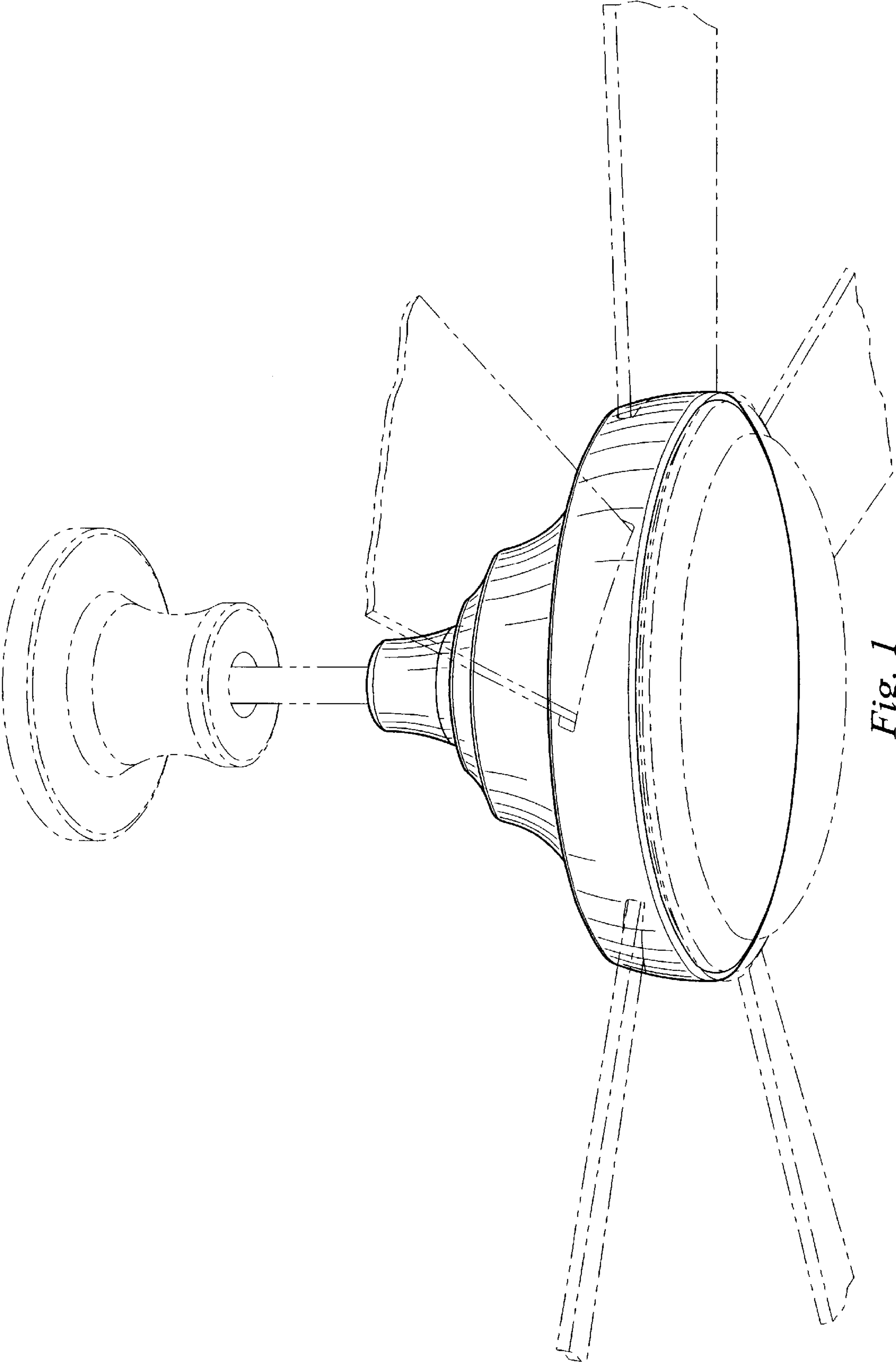


Fig. 1

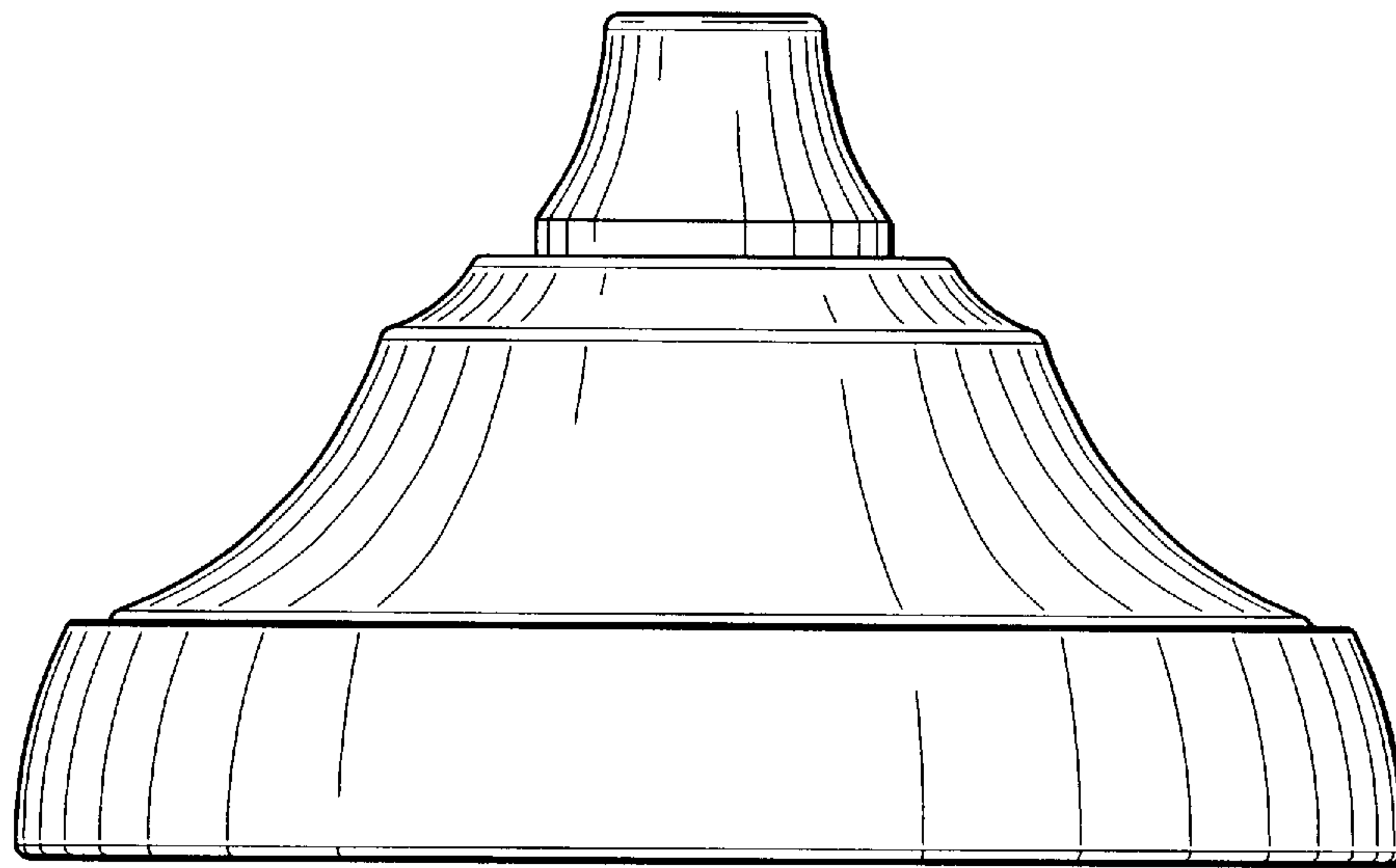


Fig. 2

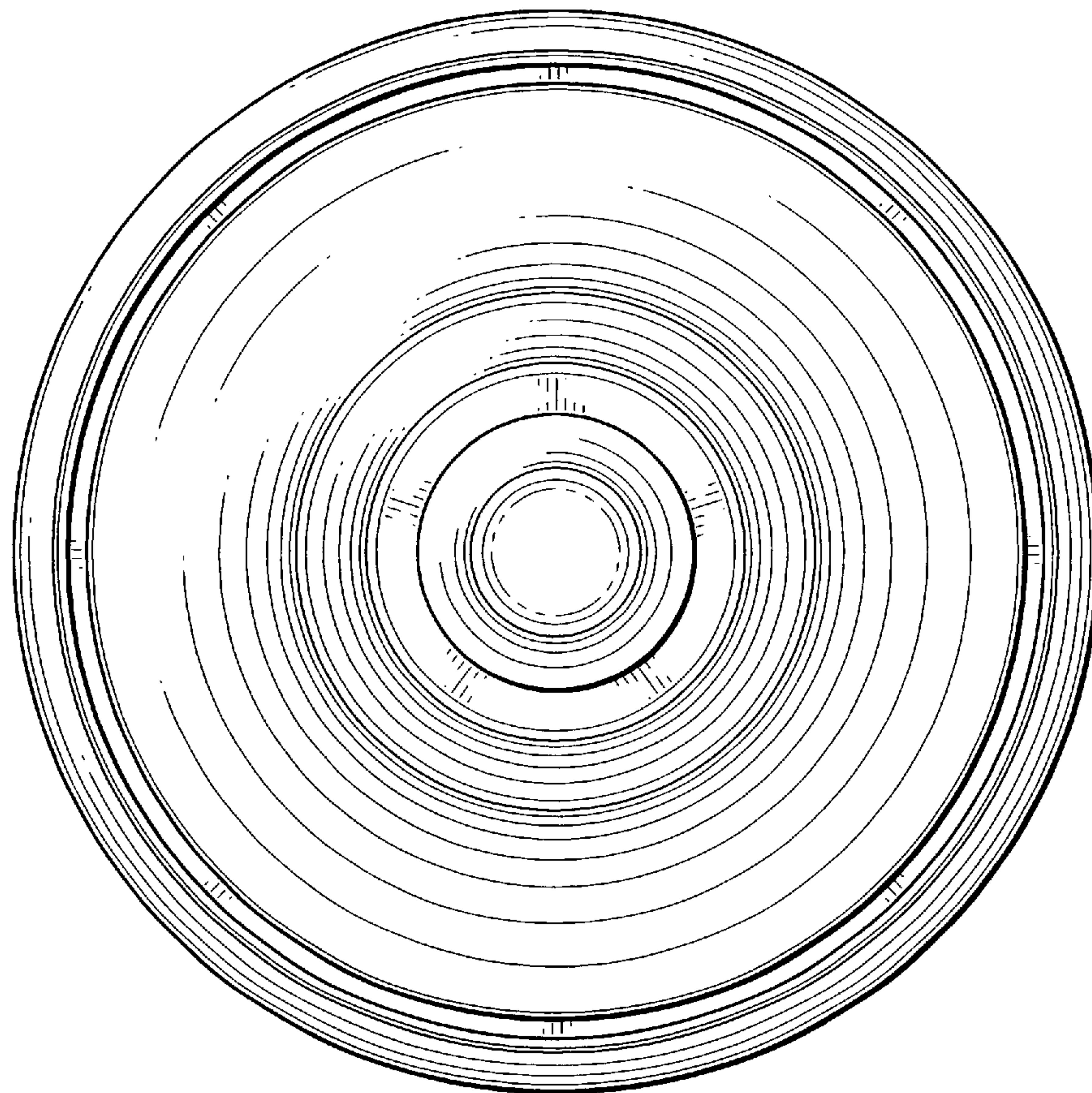


Fig. 3

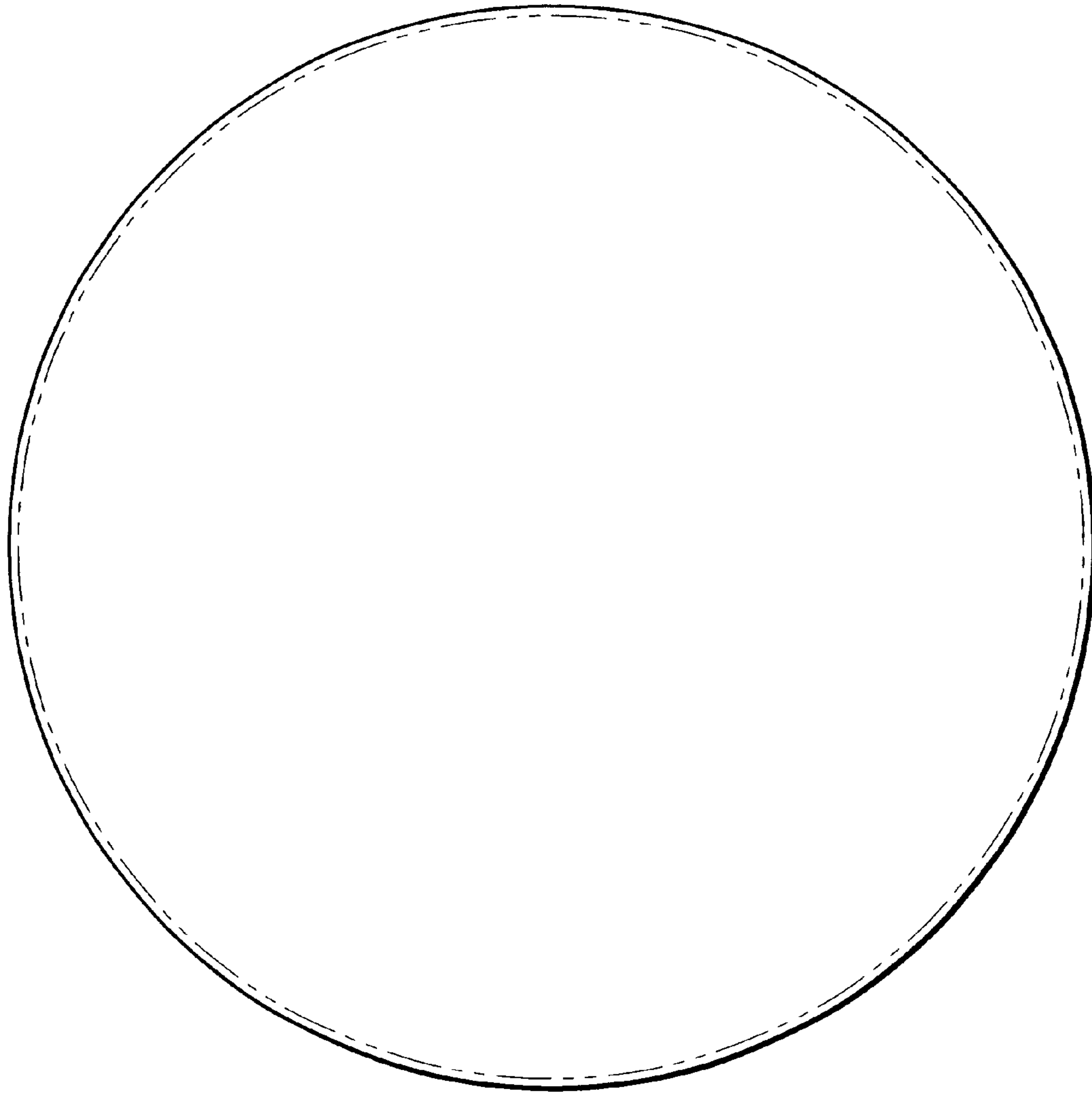


Fig. 4