



US00D530002S

(12) **United States Design Patent**  
**Ching**

(10) **Patent No.:** **US D530,002 S**

(45) **Date of Patent:** **\*\* Oct. 10, 2006**

(54) **INDUSTRIAL HEATER**

D247,045 S \* 1/1978 Briggs ..... D23/317  
D409,737 S \* 5/1999 Nilsson ..... D23/332

(75) Inventor: **Chan Ching**, Taipei Hsien (TW)

\* cited by examiner

(73) Assignee: **Perfect Union Co., Ltd.**, Taipei Hsien (TW)

*Primary Examiner*—Brian N Vinson

(74) *Attorney, Agent, or Firm*—Troxell Law Office, PLLC

(\*\*) Term: **14 Years**

(57) **CLAIM**

(21) Appl. No.: **29/217,623**

The ornamental design for industrial heater, as shown and described.

(22) Filed: **Nov. 22, 2004**

(30) **Foreign Application Priority Data**

**DESCRIPTION**

Oct. 12, 2004 (TW) ..... 093305972

(51) **LOC (8) Cl.** ..... **23-03**

(52) **U.S. Cl.** ..... **D23/317**

(58) **Field of Classification Search** ..... D23/314,  
D23/317, 332, 335, 383; 392/365, 367, 373,  
392/383; 126/99 R

See application file for complete search history.

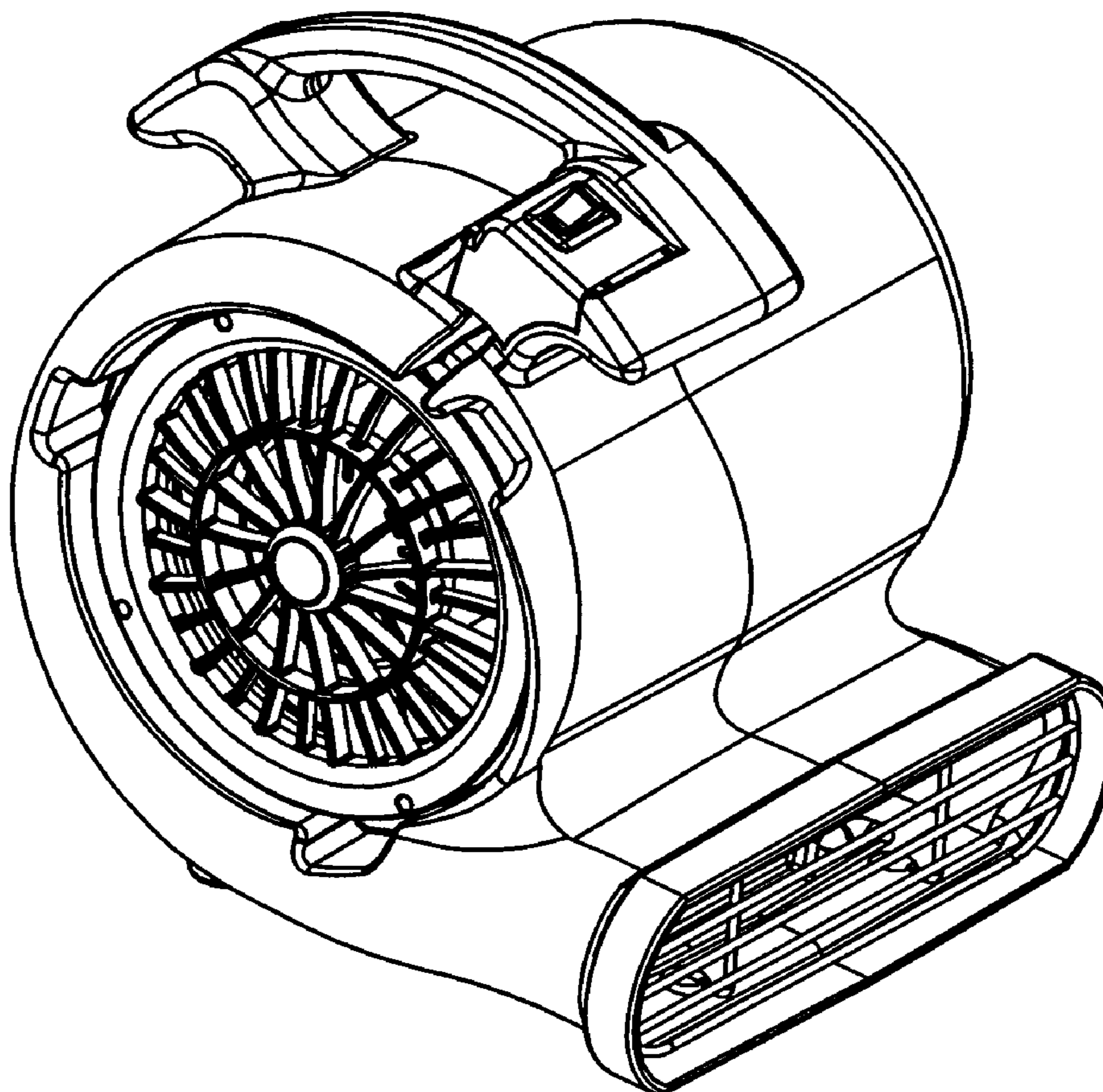
FIG. 1 is a top front and left side perspective view of industrial heater showing my new design; FIG. 2 is a front elevational view thereof; FIG. 3 is a rear elevational view thereof; FIG. 4 is a left side elevational view thereof; FIG. 5 is a right side elevational view thereof; FIG. 6 is a top plan view thereof; and, FIG. 7 is a bottom plan view thereof.

(56) **References Cited**

**U.S. PATENT DOCUMENTS**

D229,058 S \* 11/1973 Alms ..... D23/317

**1 Claim, 4 Drawing Sheets**



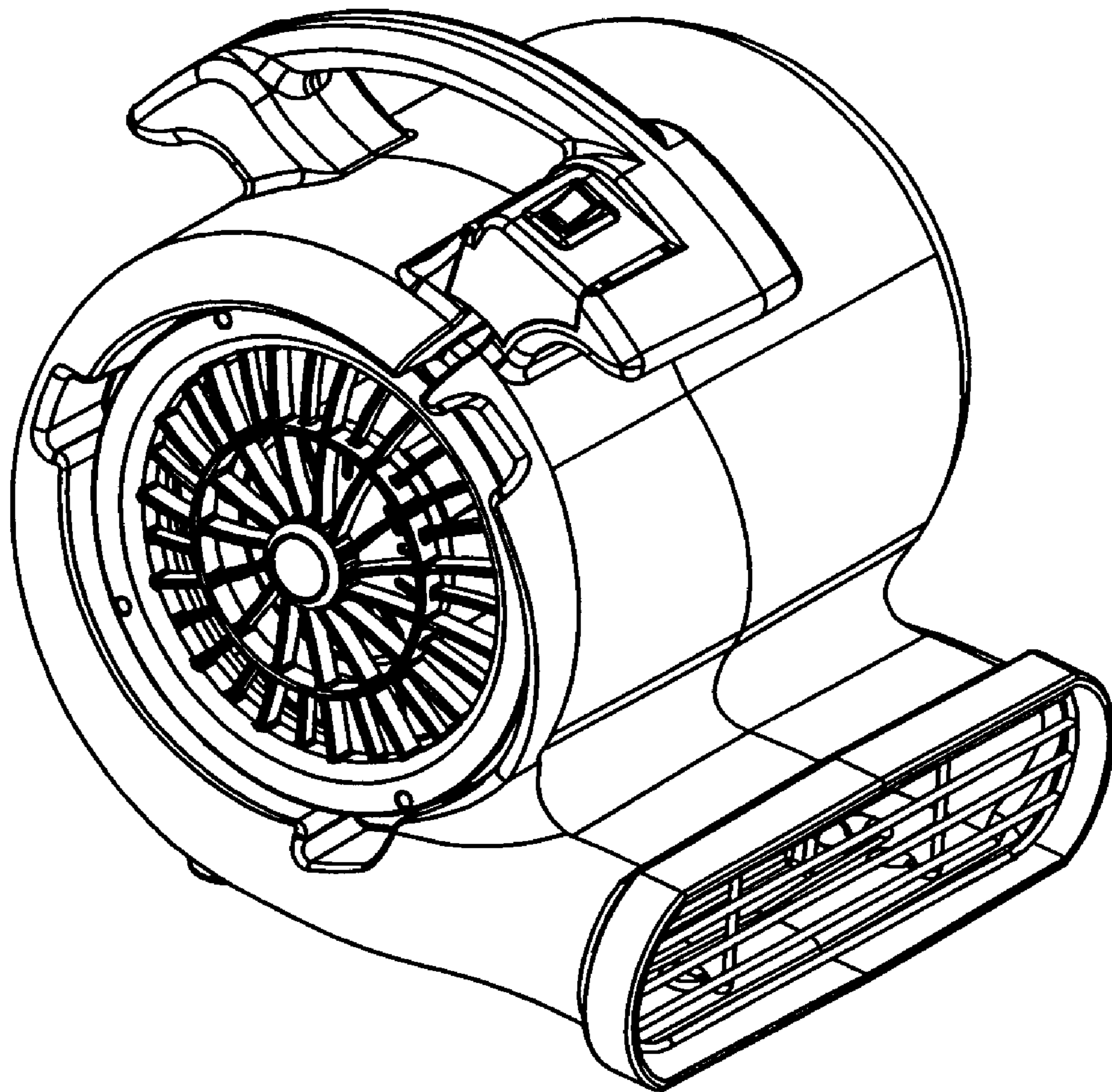


Fig. 1

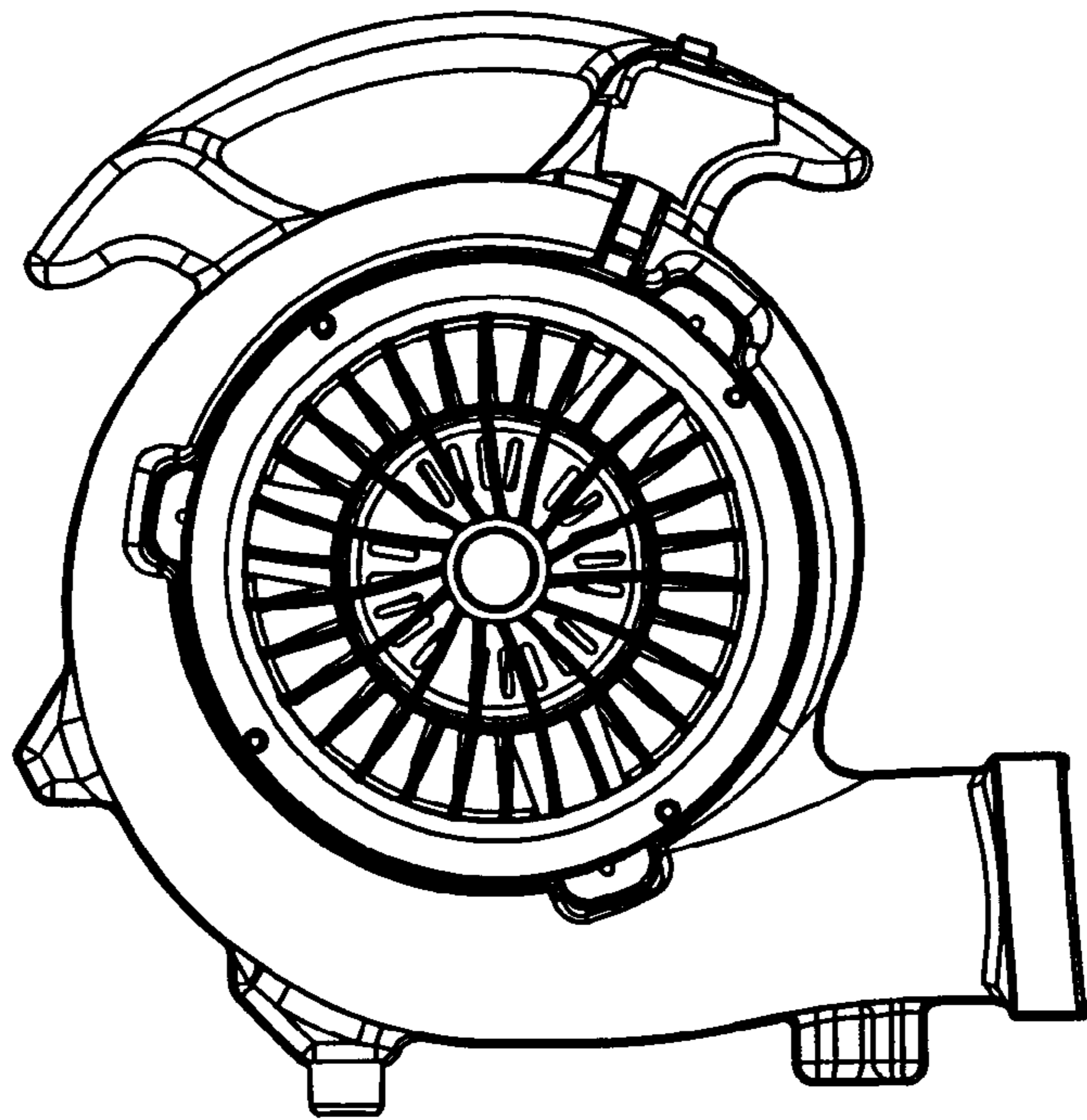


Fig. 2

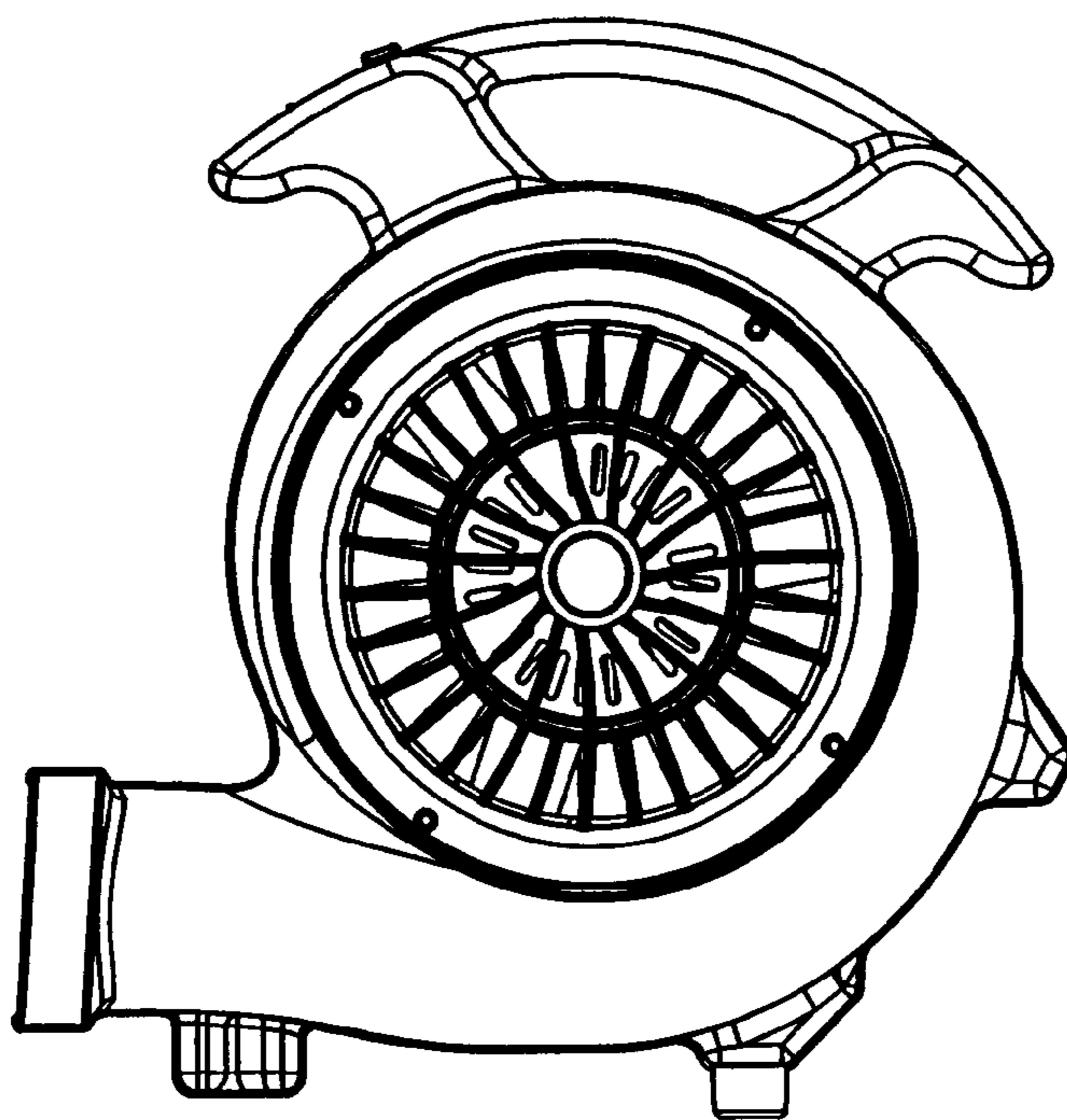


Fig. 3

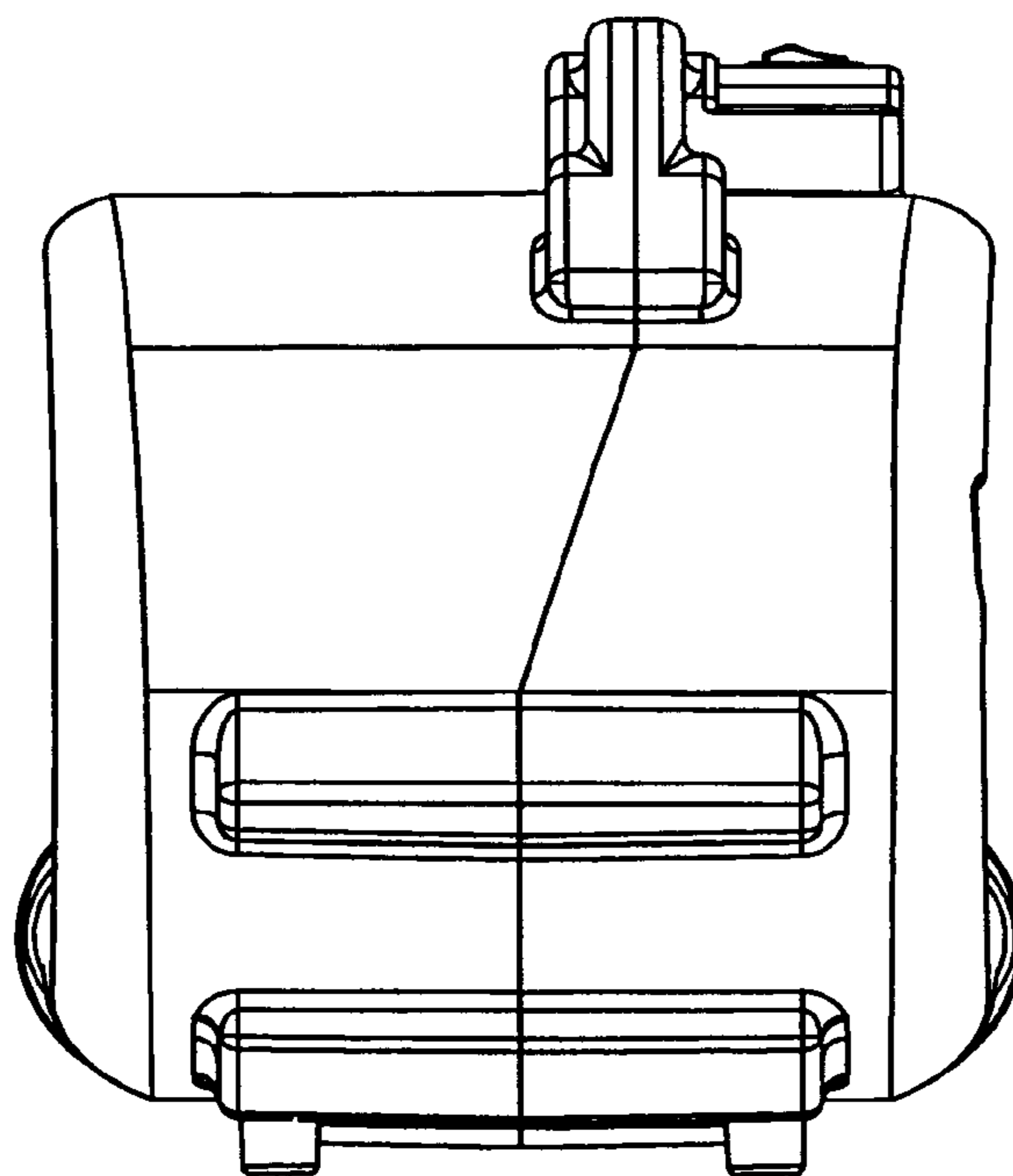


Fig. 4

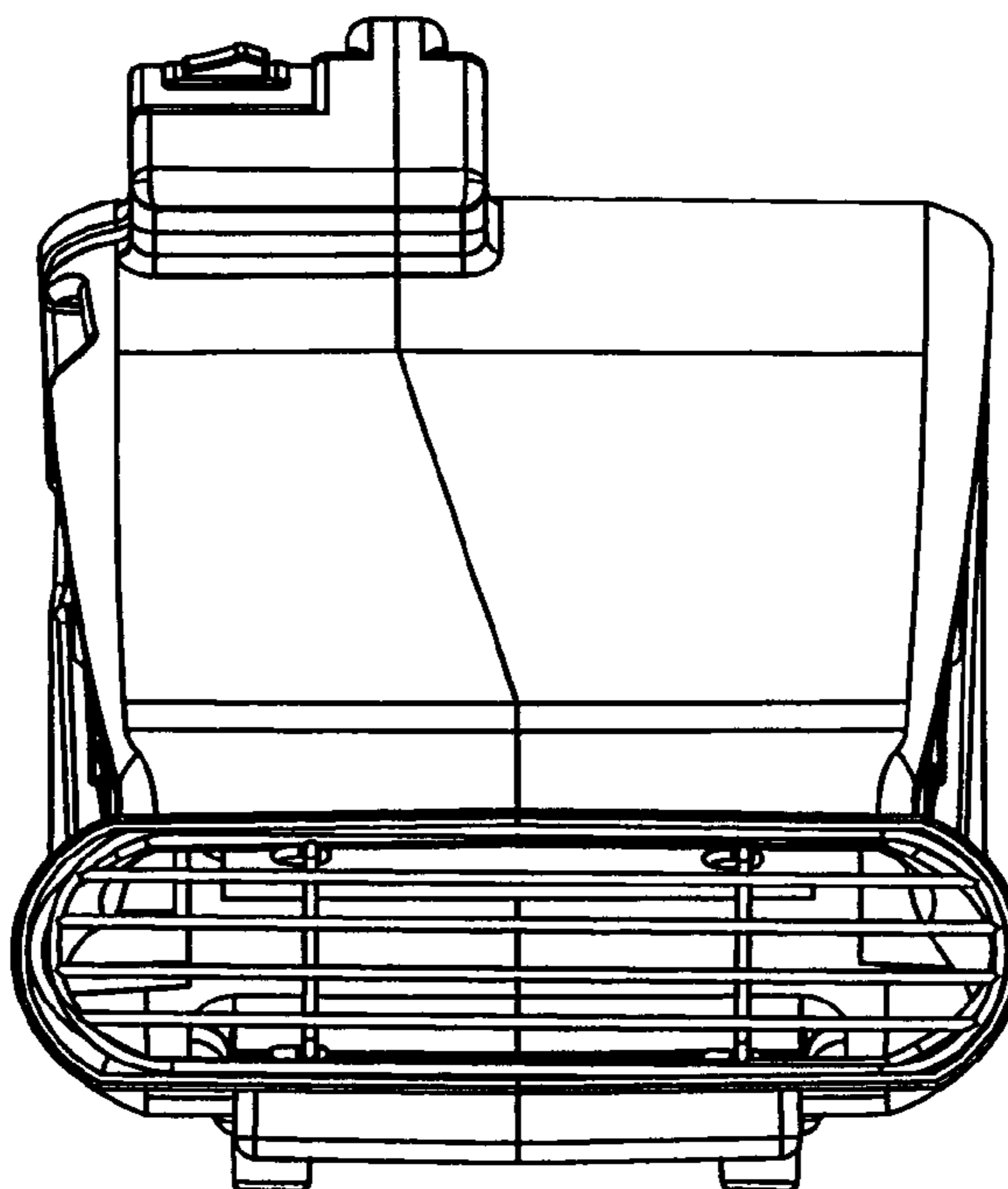


Fig. 5

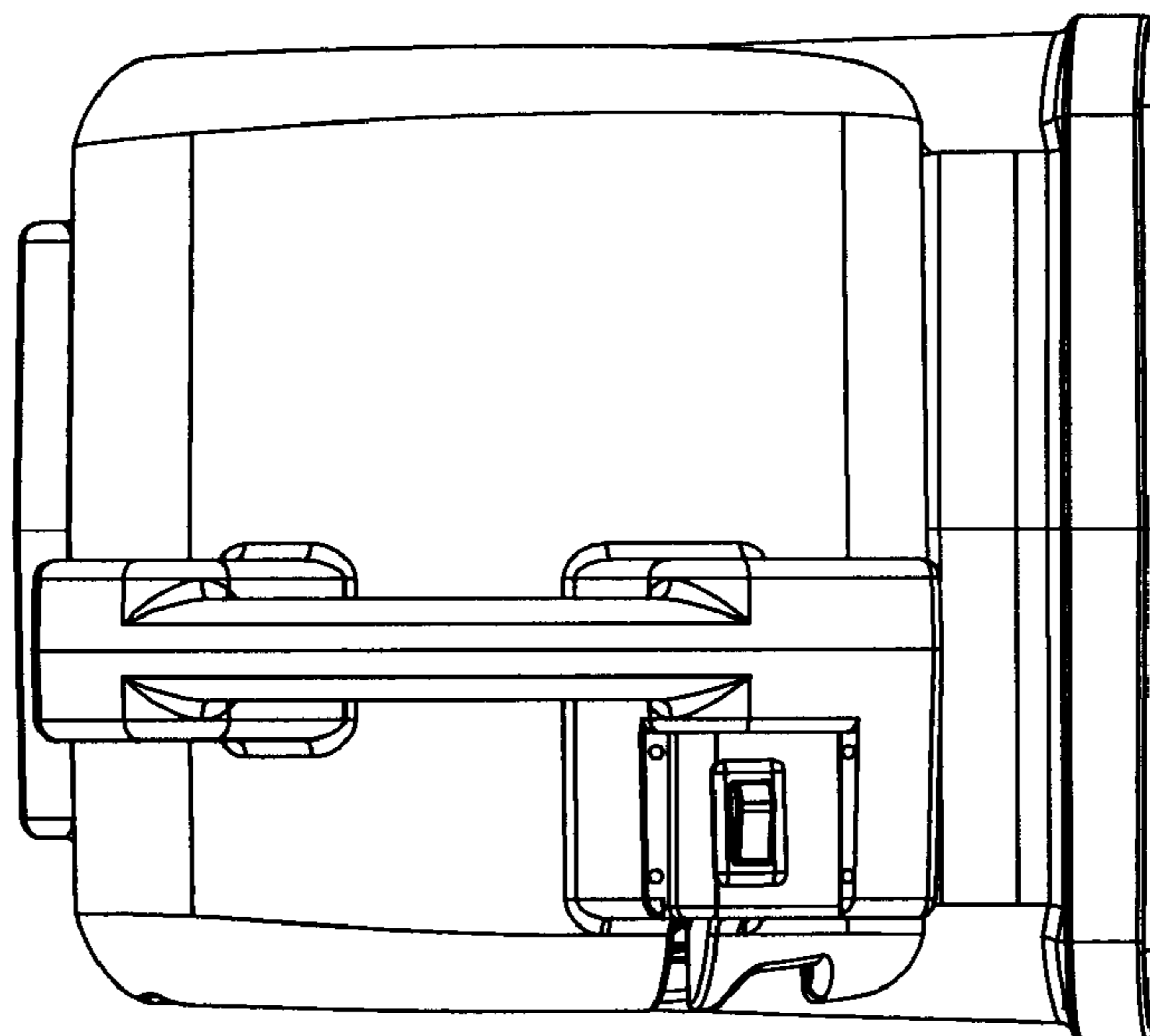


Fig. 6

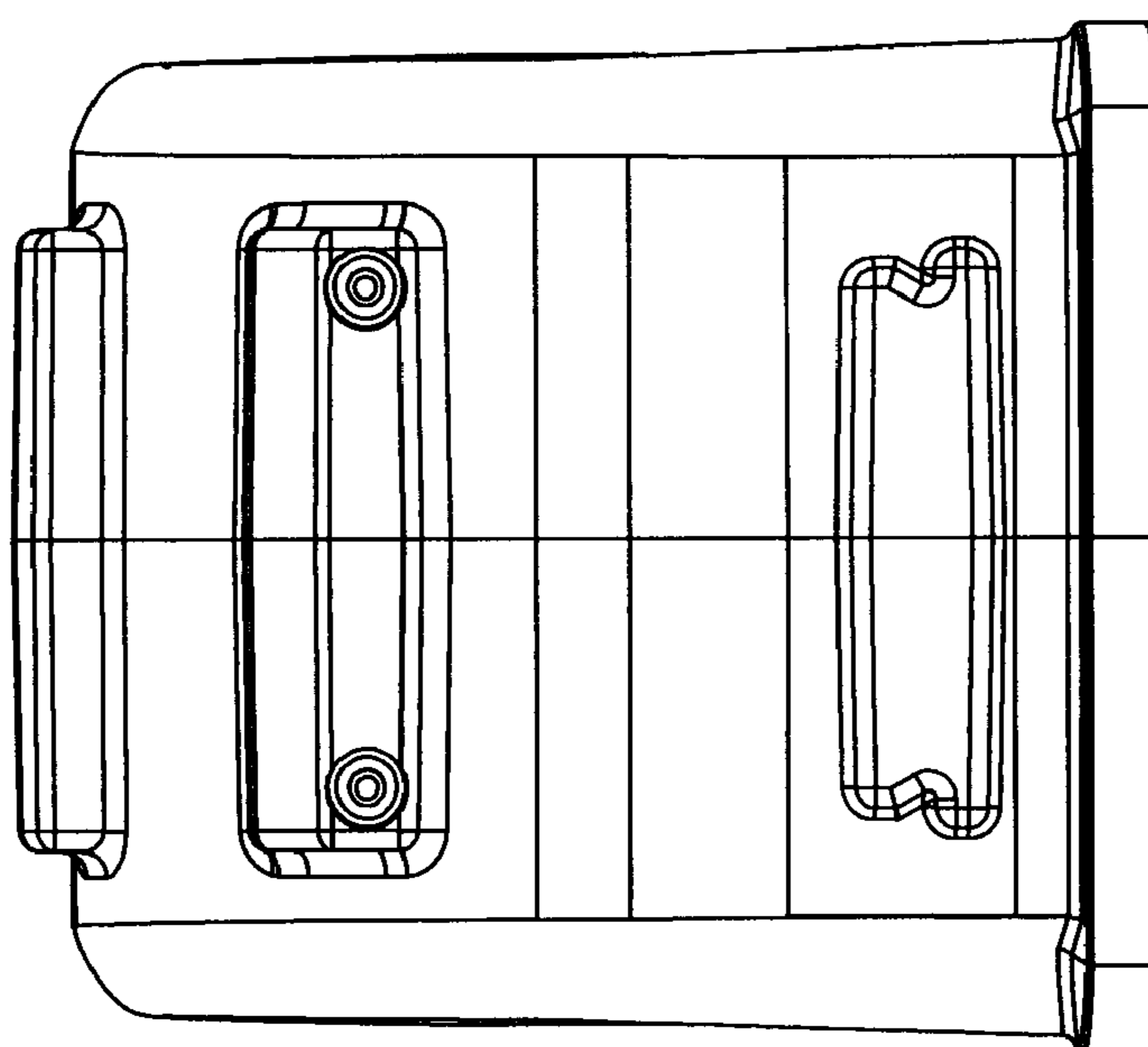


Fig. 7