



US00D529999S

(12) **United States Design Patent** (10) **Patent No.:** **US D529,999 S**  
**Lonneman et al.** (45) **Date of Patent:** **\*\* Oct. 10, 2006**

(54) **SINK**

(75) Inventors: **Deborah Marie Lonneman**, Lombard, IL (US); **John Michael Douglass**, Algonquin, IL (US)

(73) Assignee: **Elkay Manufacturing Company**, Oak Brook, IL (US)

(\*\*) Term: **14 Years**

(21) Appl. No.: **29/227,052**

(22) Filed: **Apr. 6, 2005**

(51) **LOC (8) Cl.** ..... **23-02**

(52) **U.S. Cl.** ..... **D23/285**

(58) **Field of Classification Search** ..... D23/272-274, D23/284-285, 288-289, 291, 293.1, 303, D23/308; 4/515-516, 519, 619, 650, 661  
See application file for complete search history.

(56) **References Cited**

**U.S. PATENT DOCUMENTS**

3,108,288	A	*	10/1963	Herzog	.....	4/519
D264,619	S	*	5/1982	Castleberry	.....	D23/290
D422,346	S	*	4/2000	Svendsen	.....	D23/285
D430,275	S	*	8/2000	Slothower	.....	D23/284

**OTHER PUBLICATIONS**

Elkay press release: "Scrub-a-Dubs™ sinks from Elkay add Whimsy to Children's Bath", butterfly, www.elkayusa.com, Apr. 1, 2006.\*

\* cited by examiner

*Primary Examiner*—Robert A. Delehanty

(74) *Attorney, Agent, or Firm*—Leydig, Voit & Mayer Ltd.

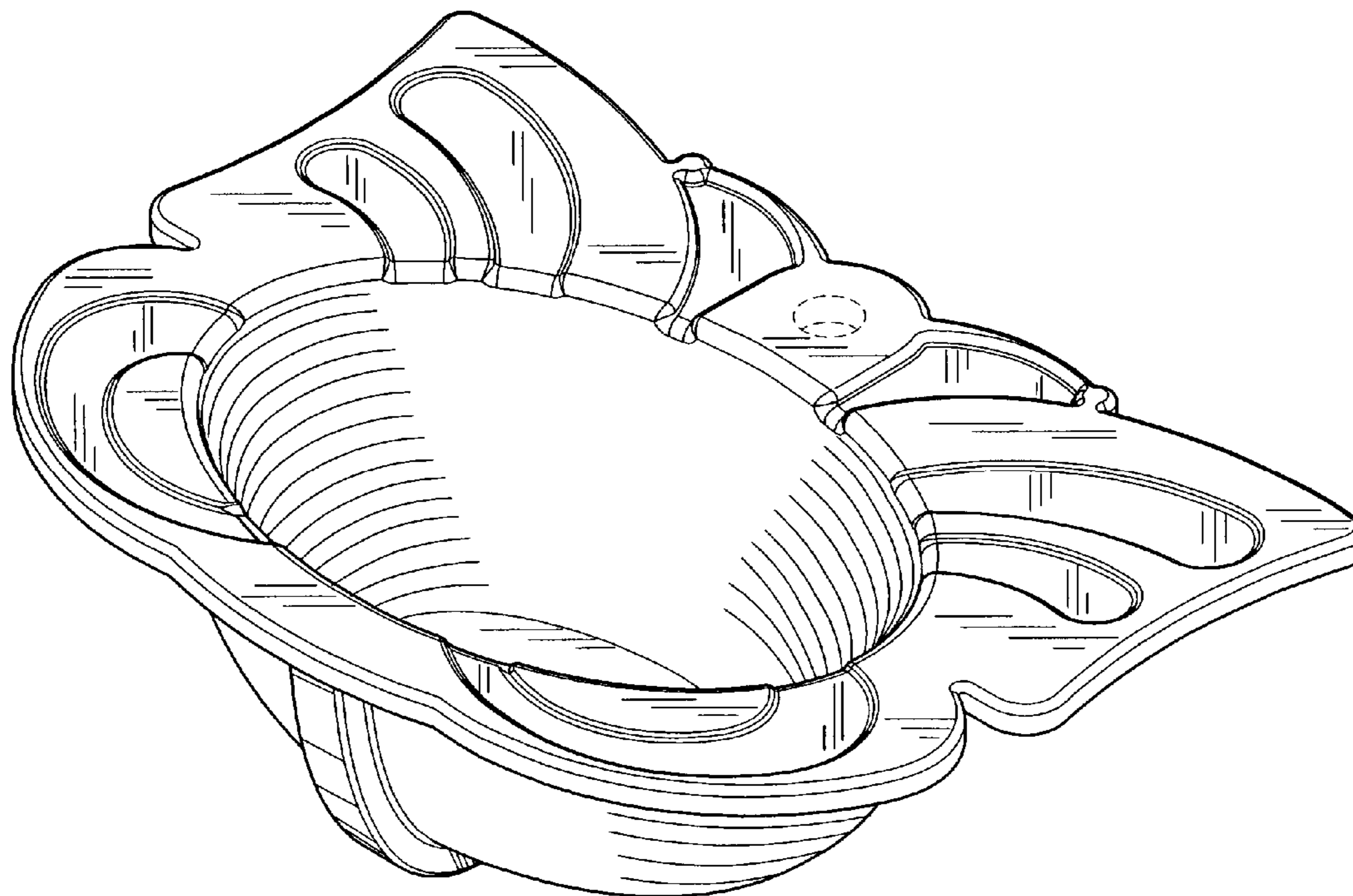
(57) **CLAIM**

The ornamental design for a sink, as shown and described.

**DESCRIPTION**

FIG. 1 is a perspective view taken from the top, front and right side of a sink showing our new design; FIG. 2 is a top plan view of the sink shown in FIG. 1; FIG. 3 is a bottom view of the sink shown in FIG. 1; FIG. 4 is a front side view of the sink shown in FIG. 1; FIG. 5 is a rear side view of the sink shown in FIG. 1; FIG. 6 is a left side view of the sink shown in FIG. 1; and, FIG. 7 is a right side view of the sink shown in FIG. 1. The broken lines disclosing an opening for a faucet are for illustration purposes only and form no part of the claimed design.

**1 Claim, 5 Drawing Sheets**



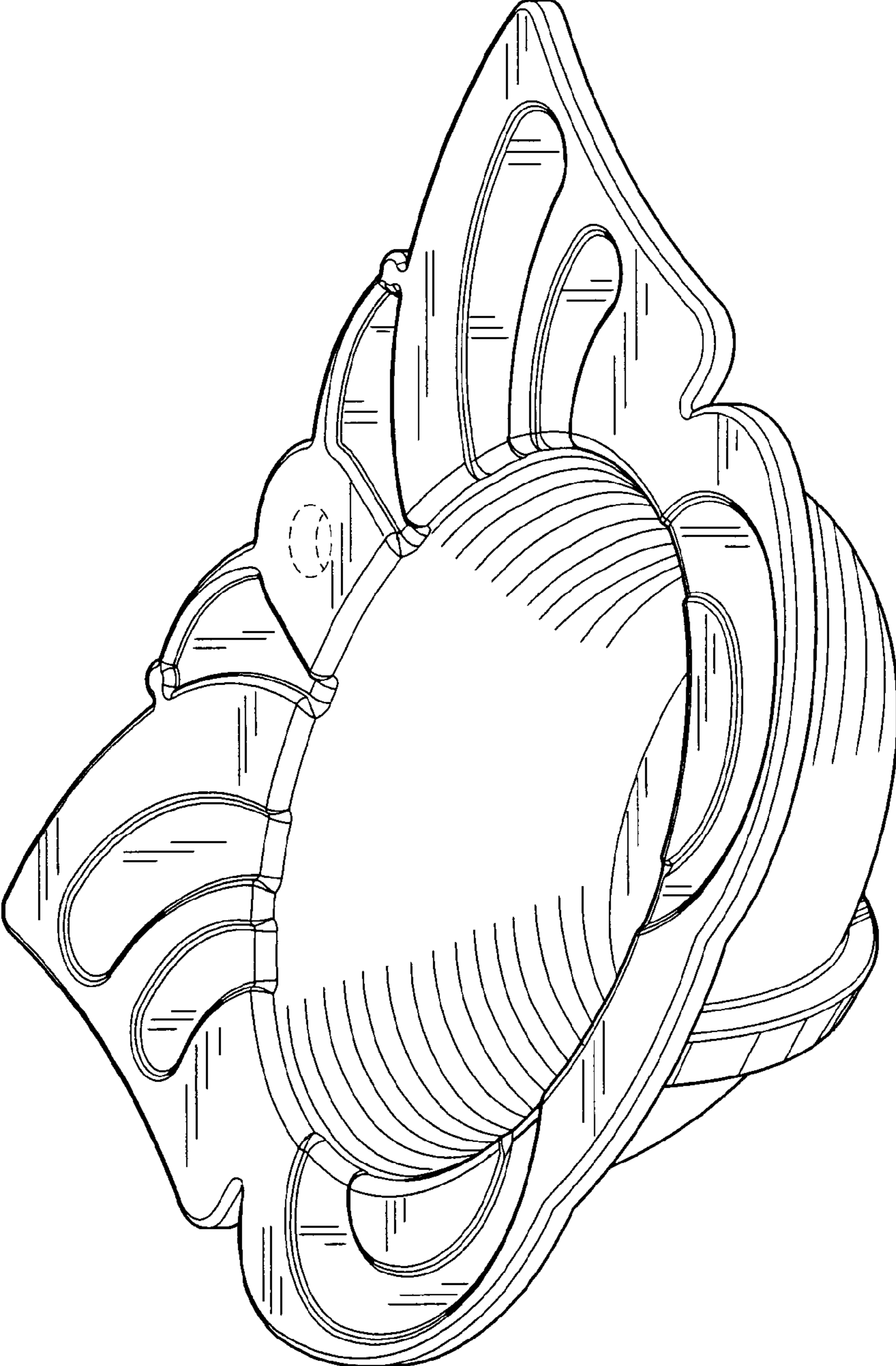


FIG. 1

FIG. 2

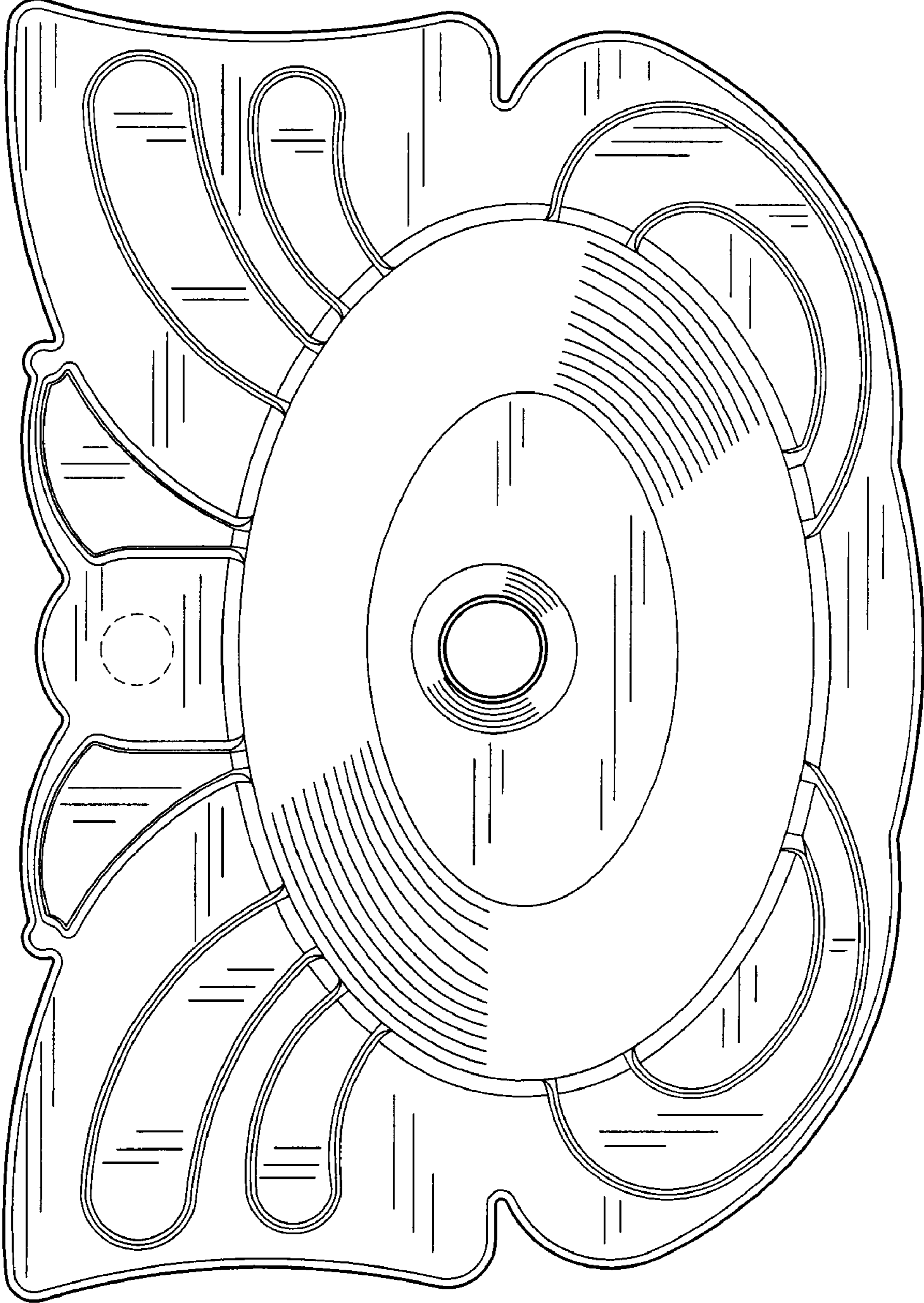


FIG. 3

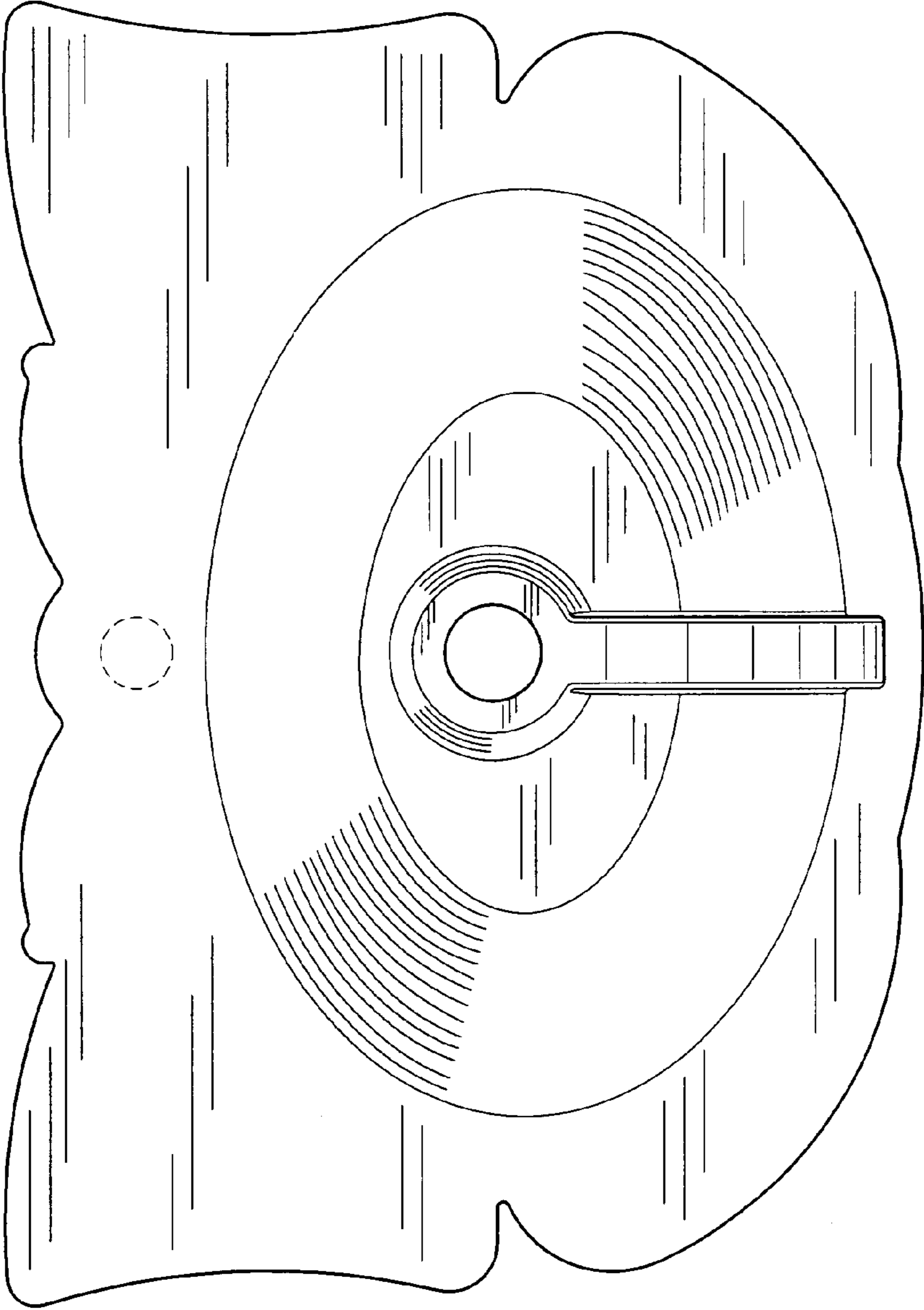


FIG. 4

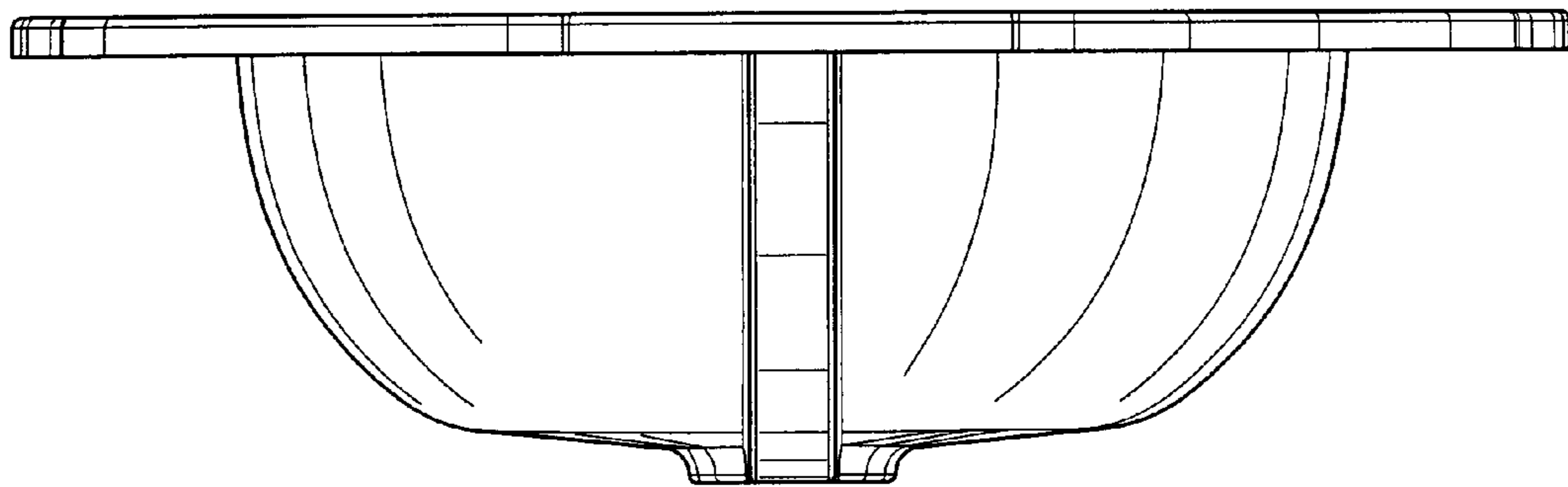


FIG. 5

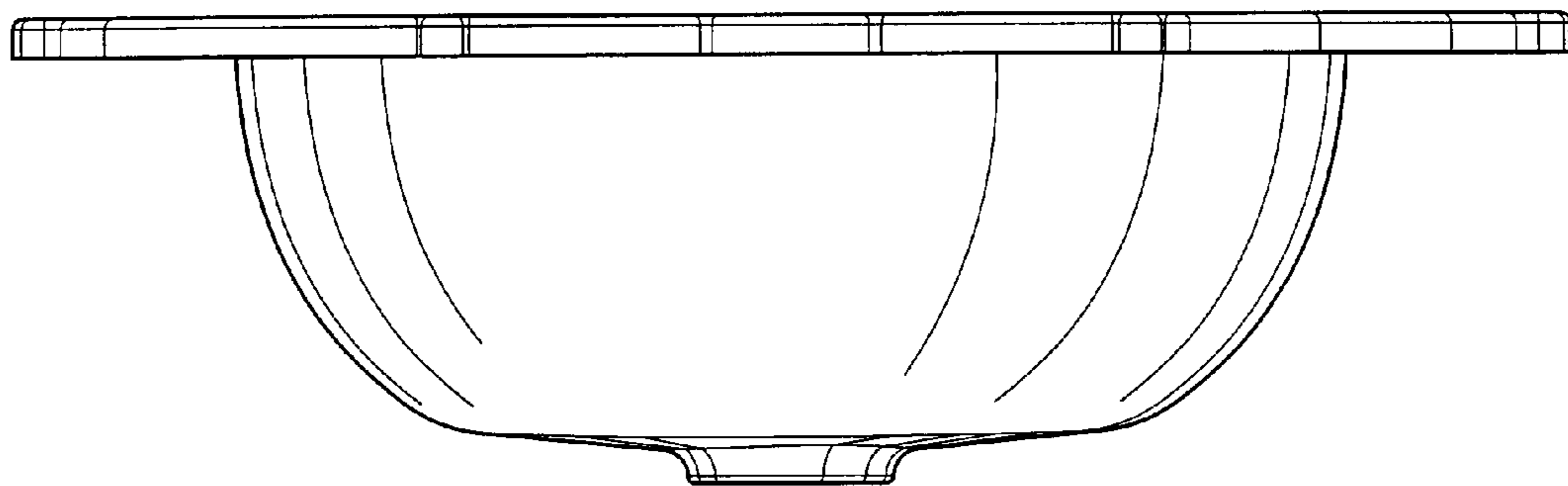


FIG. 6

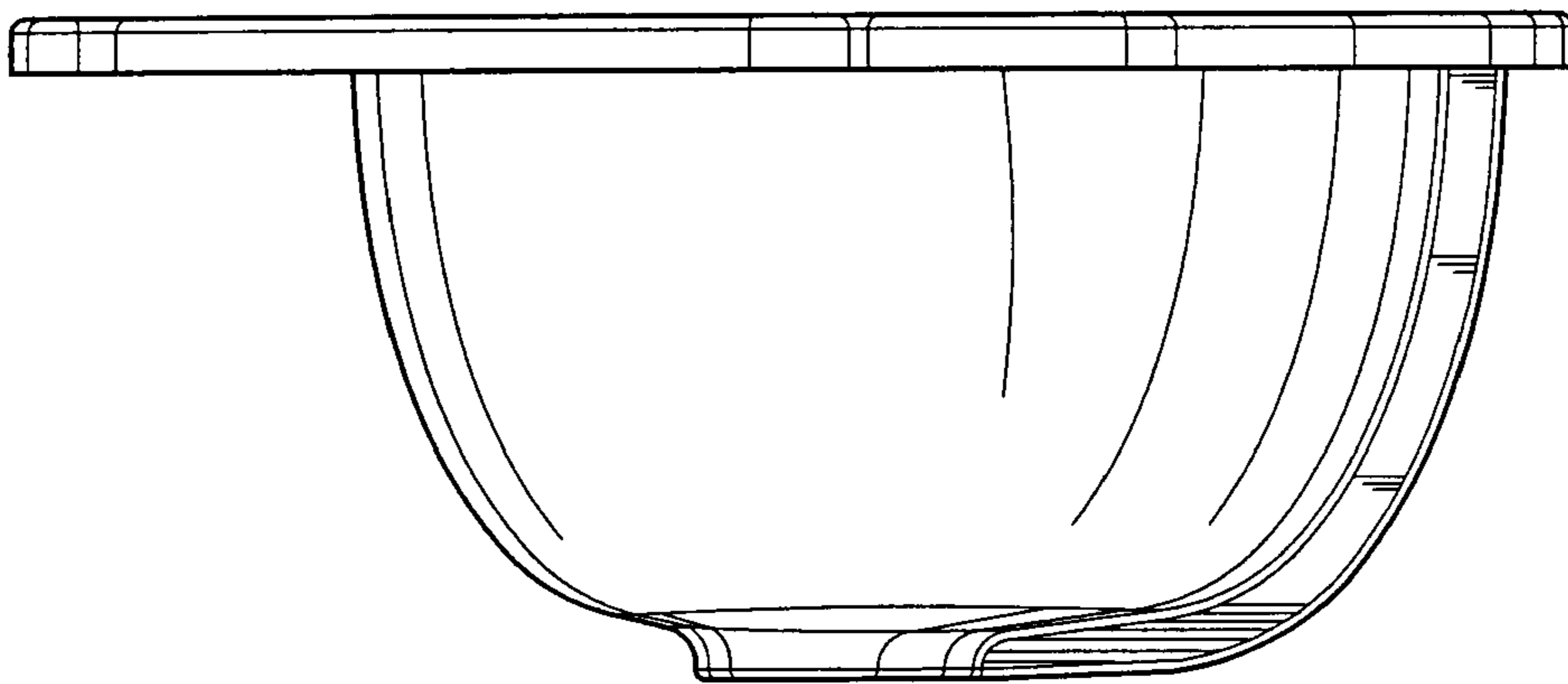


FIG. 7

