



US00D529998S

(12) **United States Design Patent**  
**Mutou**

(10) **Patent No.:** **US D529,998 S**

(45) **Date of Patent:** **\*\* Oct. 10, 2006**

(54) **TUBE JOINT**

(75) Inventor: **Masaaki Mutou**, Ibaraki (JP)

(73) Assignee: **SMC Corporation**, Tokyo (JP)

(\*\*) Term: **14 Years**

(21) Appl. No.: **29/226,488**

(22) Filed: **Mar. 29, 2005**

(30) **Foreign Application Priority Data**

Oct. 19, 2004 (JP) ..... 2004-031768

(51) **LOC (8) Cl.** ..... **23-01**

(52) **U.S. Cl.** ..... **D23/262**

(58) **Field of Classification Search** ..... D23/259,  
D23/262; 285/39, 319, 322  
See application file for complete search history.

(56) **References Cited**

**U.S. PATENT DOCUMENTS**

944,643	A	*	12/1909	White	.....	138/96	T
D44,178	S	*	6/1913	McMurtrie	.....	D23/262	
2,632,479	A	*	3/1953	Pfeil et al.	.....	138/96	T
D208,388	S	*	8/1967	Graham	.....	D23/265	

4,318,426	A	*	3/1982	Callanan et al.	.....	138/96	T
D296,579	S	*	7/1988	Hattori	.....	D23/262	
D327,120	S	*	6/1992	Ambrosi	.....	D23/262	
D441,849	S	*	5/2001	Plewa vom Berg	.....	D23/265	
6,447,019	B1	*	9/2002	Hosono et al.	.....	285/148.19	
6,880,864	B1	*	4/2005	Muto	.....	285/322	

\* cited by examiner

*Primary Examiner*—Robin Webster

(74) *Attorney, Agent, or Firm*—Peter Ganjian

(57) **CLAIM**

The ornamental design for a tube joint, as shown and described.

**DESCRIPTION**

FIG. 1 shows a front view of a tube joint showing my new design;

FIG. 2 shows a top view thereof;

FIG. 3 shows a bottom view thereof;

FIG. 4 shows a right side view thereof;

FIG. 5 shows a left side view thereof; and,

FIG. 6 shows a plan view thereof.

The broken line showing is for illustrative purposes only and forms no part of the claimed design.

**1 Claim, 4 Drawing Sheets**

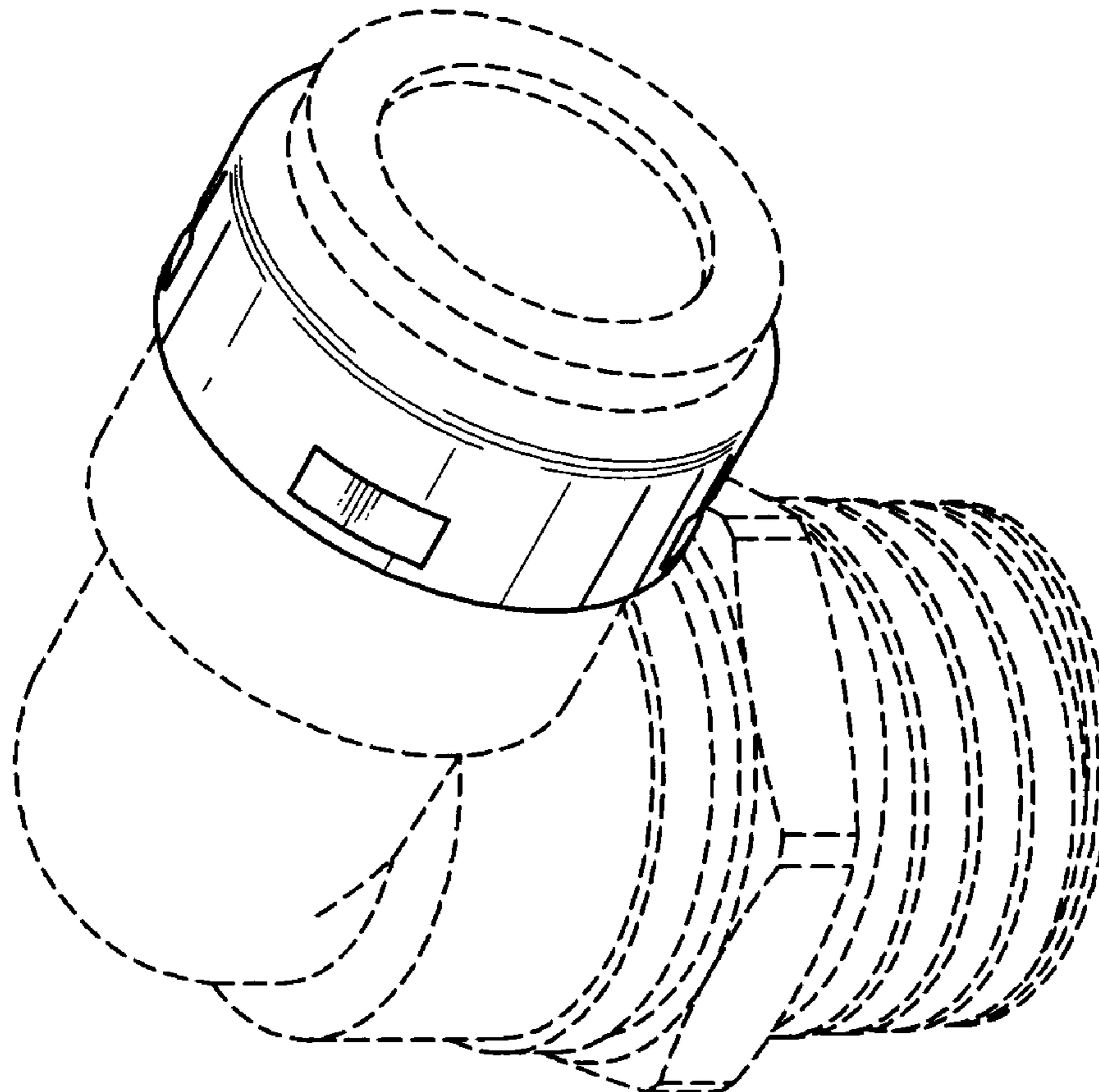


FIG. 1

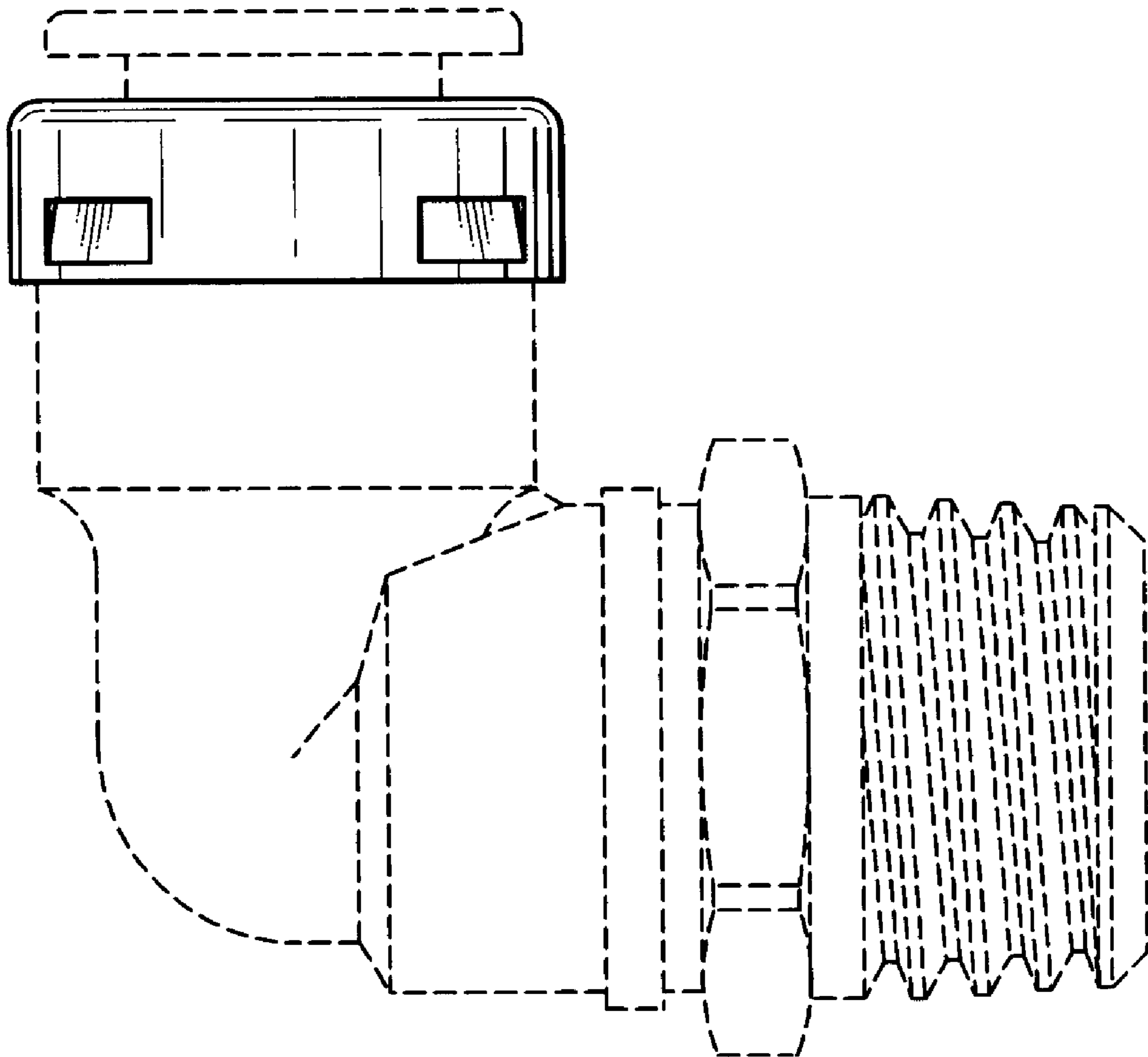


FIG. 2

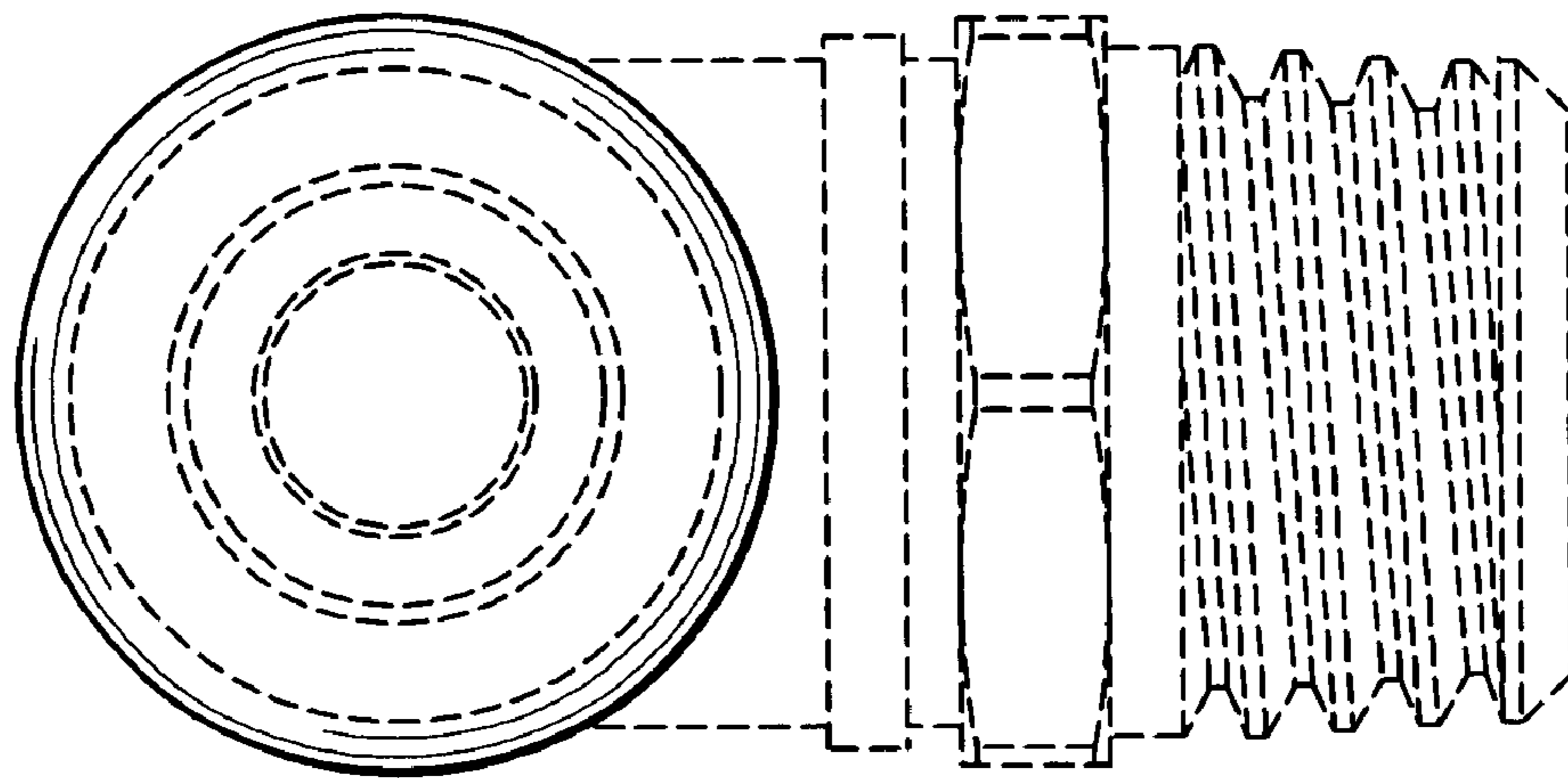


FIG. 3

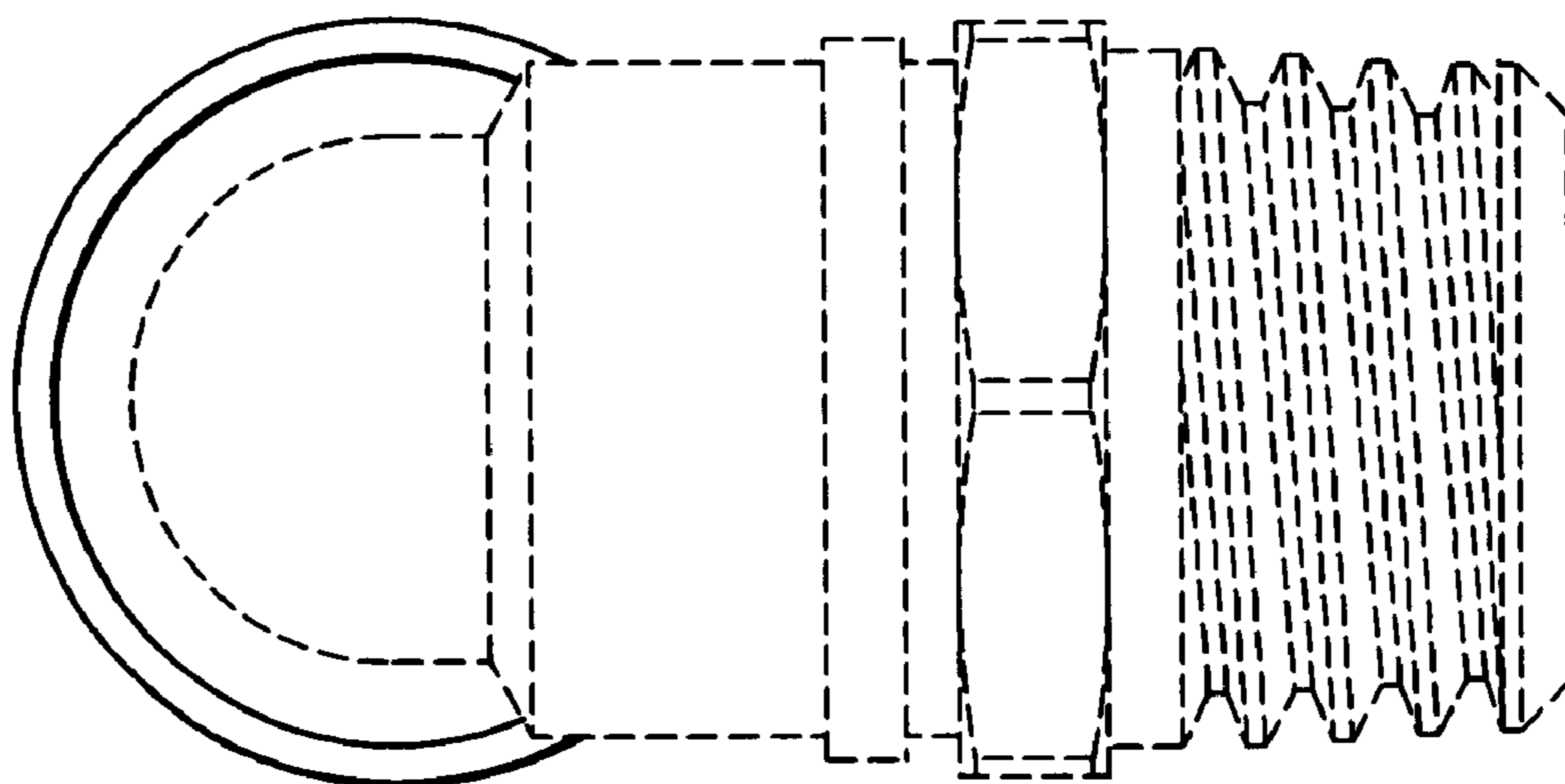


FIG. 4

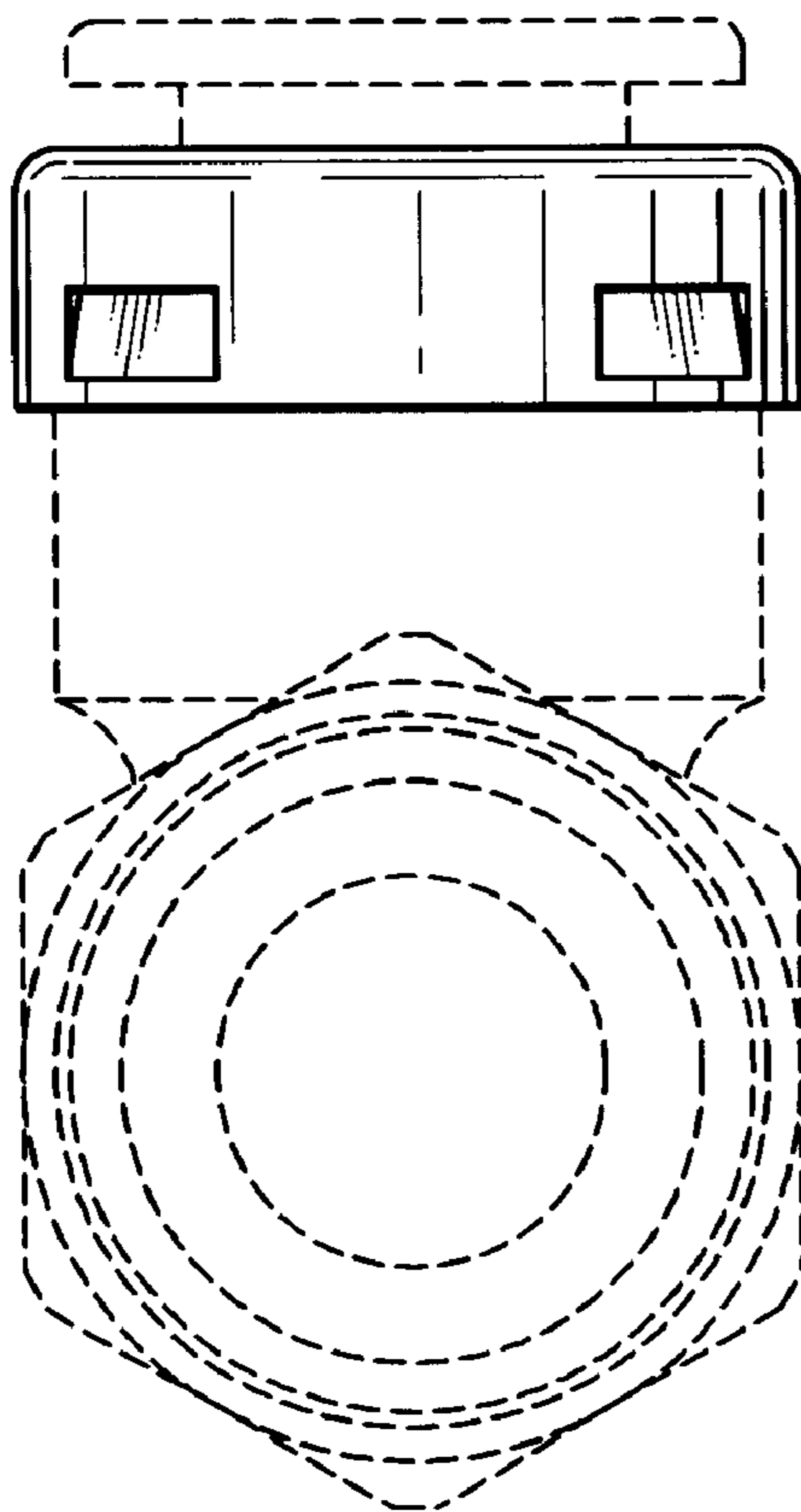


FIG. 5

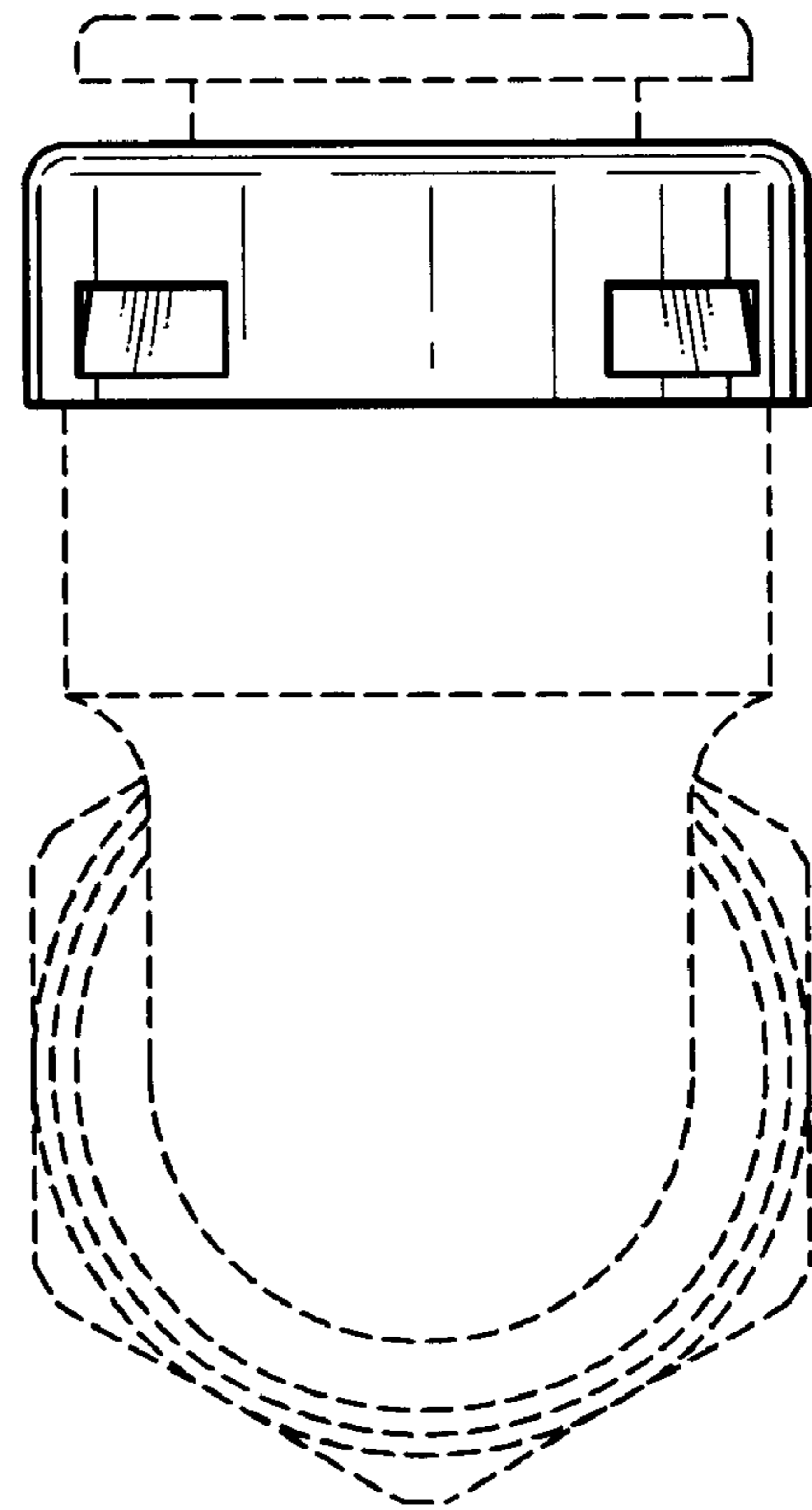


FIG. 6

