



US00D529996S

(12) **United States Design Patent**
Martinez

(10) **Patent No.:** **US D529,996 S**

(45) **Date of Patent:** **** Oct. 10, 2006**

(54) **FAUCET**

(75) **Inventor:** **Anthony Raul Martinez**, Lake Villa,
IL (US)

(73) **Assignee:** **Geberit Technik AG** (CH)

(**) **Term:** **14 Years**

(21) **Appl. No.:** **29/242,903**

(22) **Filed:** **Nov. 16, 2005**

(51) **LOC (8) Cl.** **23-01**

(52) **U.S. Cl.** **D23/238**

(58) **Field of Classification Search** D23/238-257;
4/675-678; 137/801

See application file for complete search history.

(56) **References Cited**

U.S. PATENT DOCUMENTS

D361,825 S	*	8/1995	Mine	D23/238
D406,323 S	*	3/1999	Snyder	D23/255
D497,409 S	*	10/2004	Valfridsson	D23/238
D517,168 S	*	3/2006	Marcichow	D23/238

* cited by examiner

Primary Examiner—Louis S. Zarfes

Assistant Examiner—Gregory Andoll

(74) *Attorney, Agent, or Firm*—Reinhart Boerner Van
Deuren s.c.

(57) **CLAIM**

The ornamental design for a faucet, as shown and described.

DESCRIPTION

FIG. 1 is an isometric view of the faucet of the present invention shown from the upper right front;

FIG. 2 is a top plan view of the faucet illustrated in FIG. 1;

FIG. 3 is a right side elevational view of the faucet illustrated in FIGS. 1 and 2, the left side being a mirror image thereof;

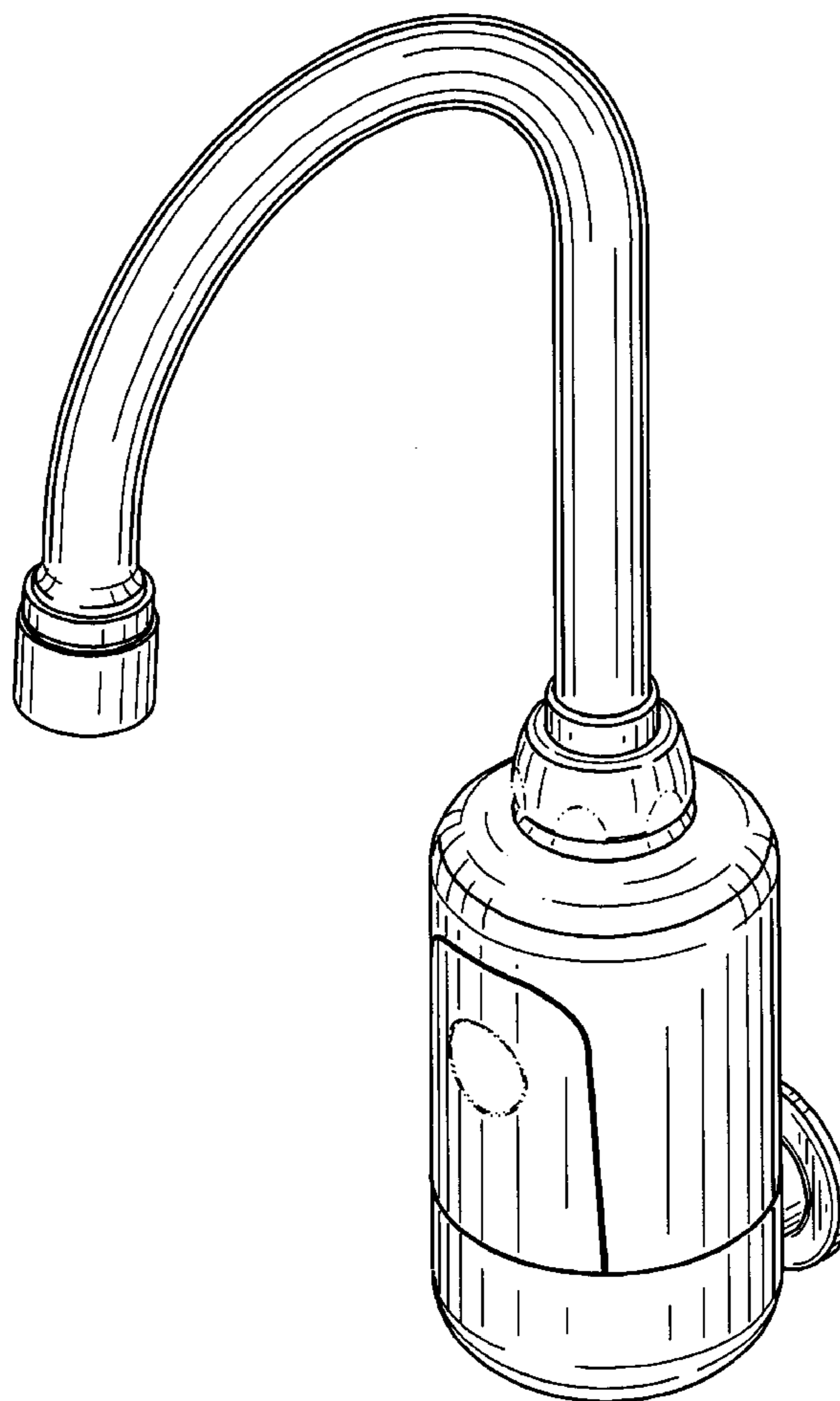
FIG. 4 is a front elevational view of the faucet illustrated in FIGS. 1 through 3;

FIG. 5 is a rear elevational view of the faucet illustrated in FIGS. 1 through 4; and,

FIG. 6 is a bottom plan view of the faucet illustrated in FIGS. 1 through 5.

The broken lines in the Figures are for illustrative purposes only and form no part of the claimed design.

1 Claim, 4 Drawing Sheets



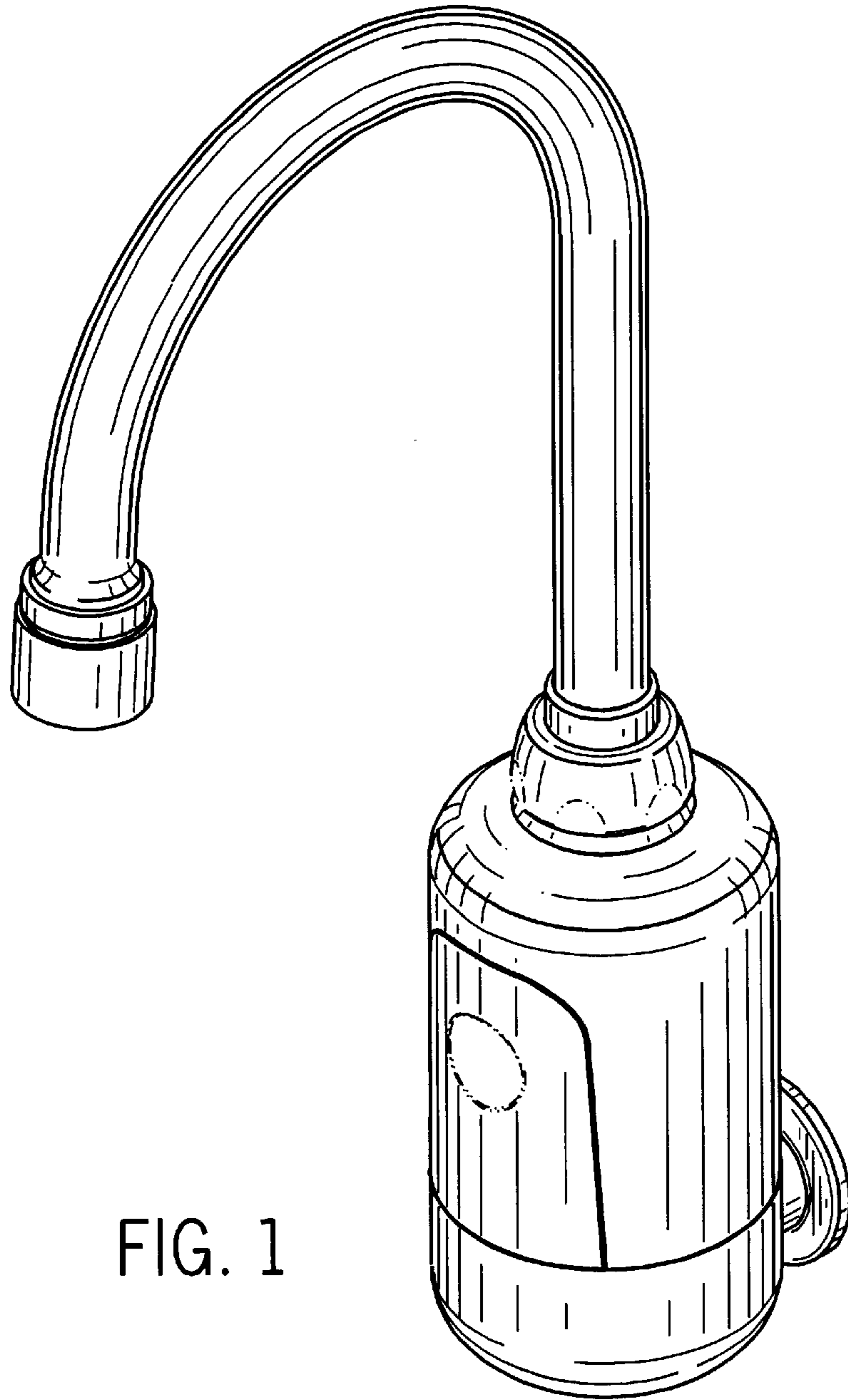


FIG. 1

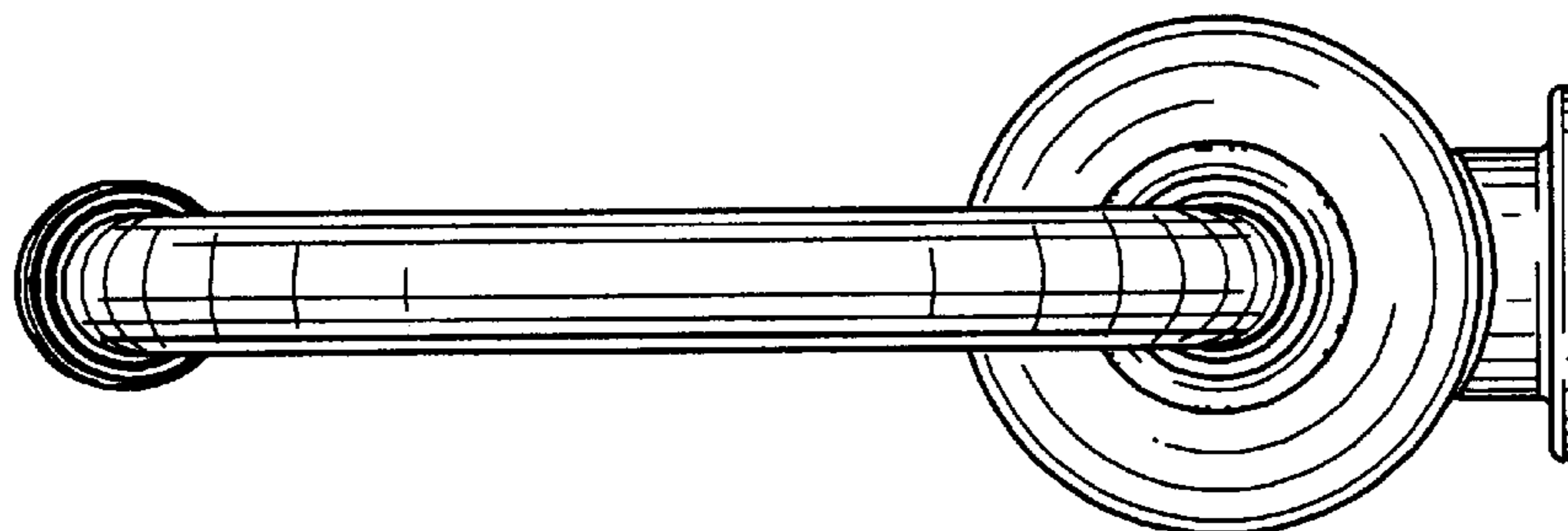


FIG. 2

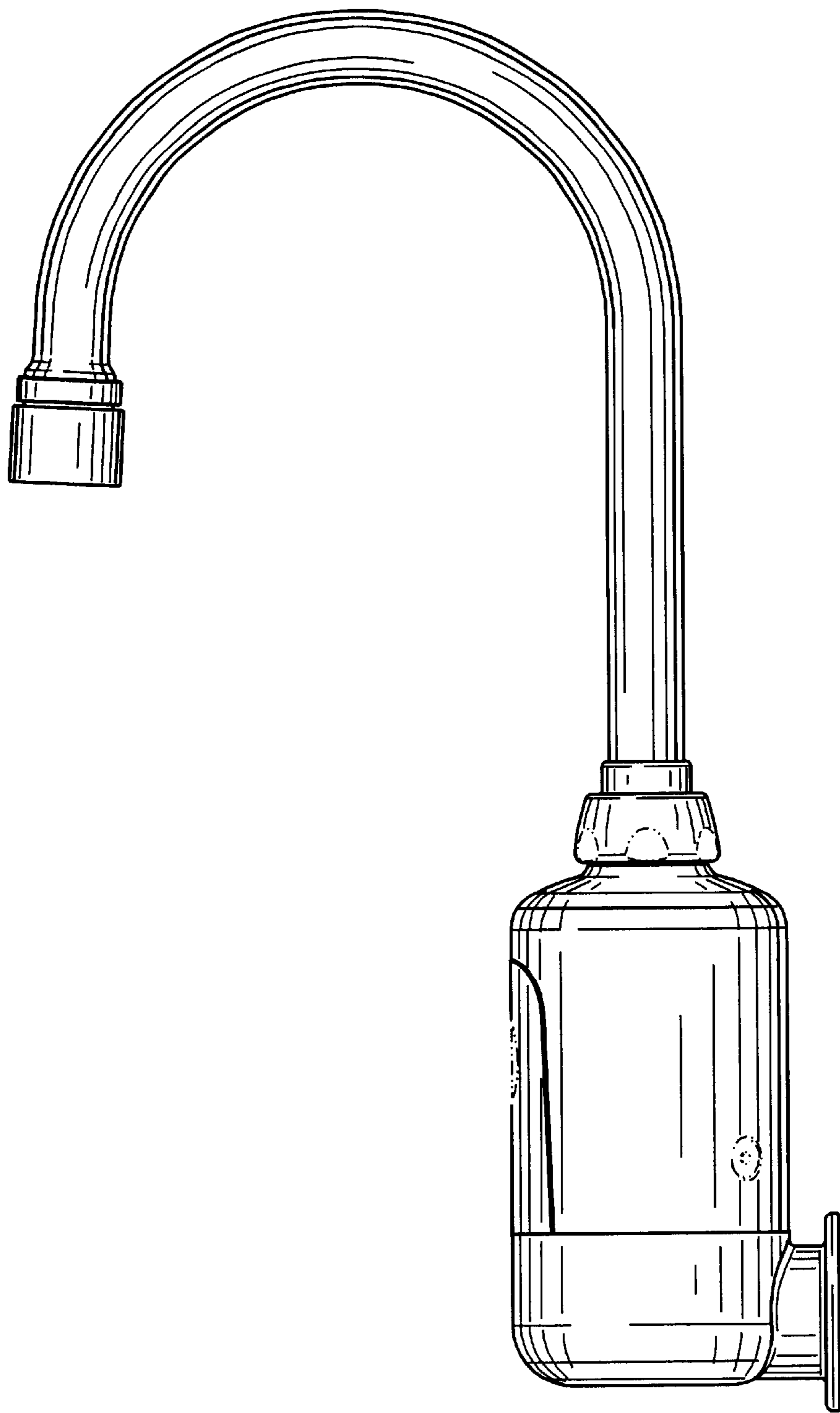


FIG. 3

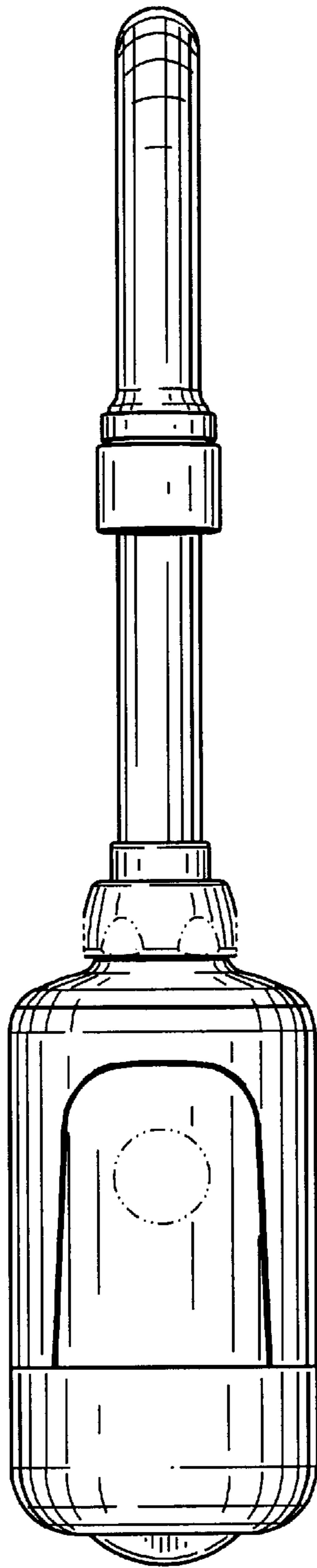


FIG. 4

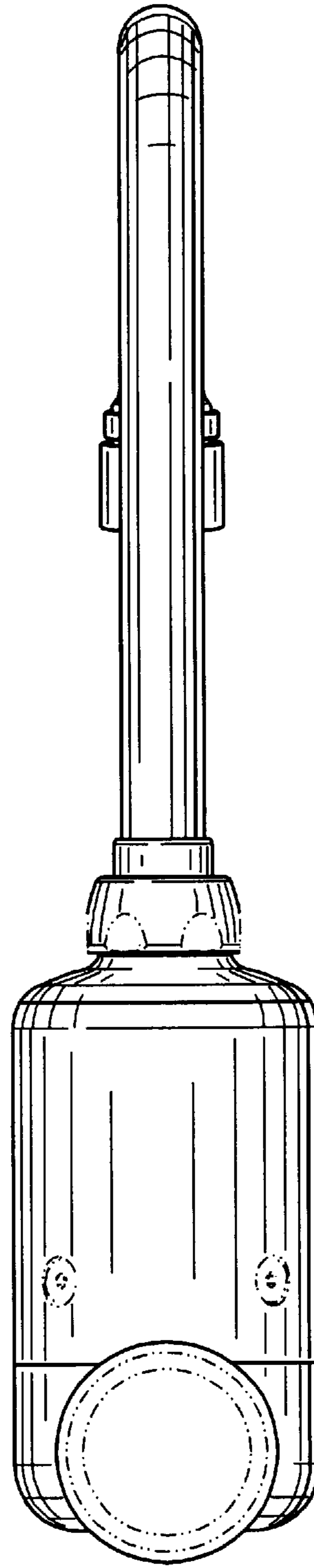


FIG. 5

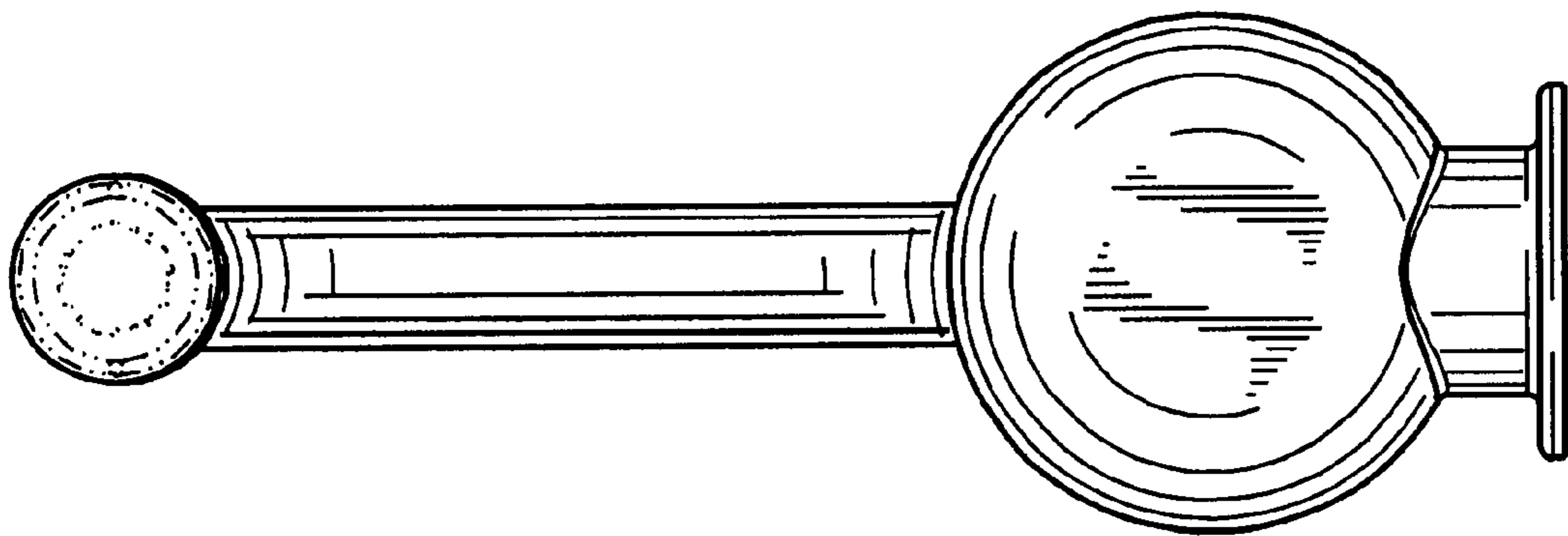


FIG. 6