

US00D529995S

(12) **United States Design Patent**
Smith

(10) **Patent No.:** **US D529,995 S**

(45) **Date of Patent:** **** Oct. 10, 2006**

(54) **WALL MOUNTED BATH FILLER**

D492,387 S * 6/2004 Pohl et al. D23/238
D512,484 S * 12/2005 Painsi D23/238

(75) Inventor: **Antony Smith**, Etching Hill (GB)

* cited by examiner

(73) Assignee: **Bristan, Ltd.** (GB)

Primary Examiner—Louis S. Zarfaz

Assistant Examiner—Gregory Andoll

(**) Term: **14 Years**

(74) *Attorney, Agent, or Firm*—Kwadjo Adusei-Poku;
Lloyd D. Doigan

(21) Appl. No.: **29/239,947**

(57) **CLAIM**

(22) Filed: **Oct. 6, 2005**

The ornamental design for a wall mounted bath filler, as shown and described.

(51) **LOC (8) Cl.** **23-01**

(52) **U.S. Cl.** **D23/238; D23/254**

(58) **Field of Classification Search** D23/238–257;
4/675–678; 137/801

DESCRIPTION

See application file for complete search history.

FIG. 1 is a front perspective view of a wall mounted bath filler showing my design;

FIG. 2 is a front elevational view thereof;

FIG. 3 is a left side elevational view thereof;

FIG. 4 is a right side elevational view thereof;

FIG. 5 is a top plan view thereof; and,

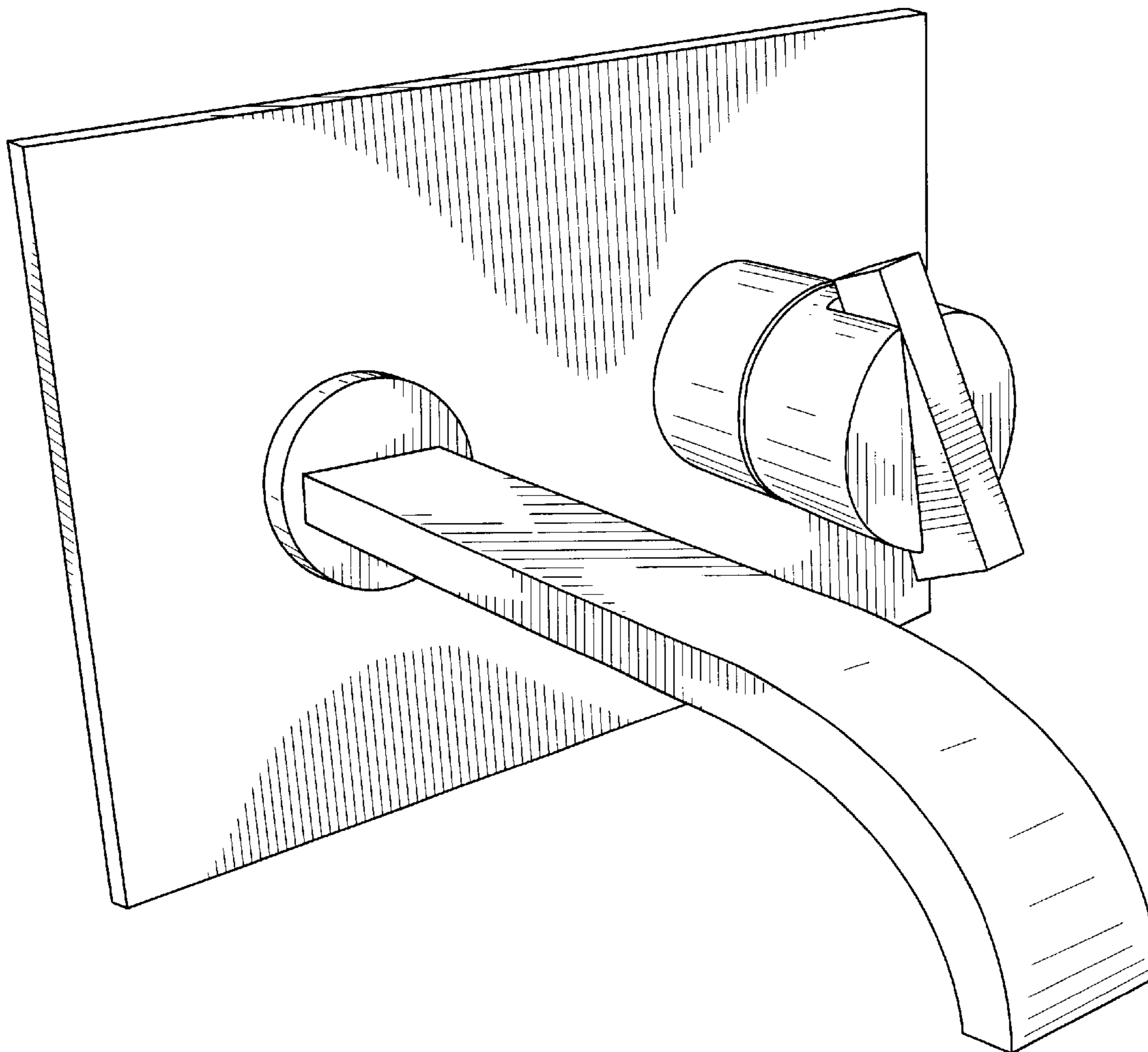
FIG. 6 is a rear elevational view thereof.

(56) **References Cited**

U.S. PATENT DOCUMENTS

D280,232 S * 8/1985 Paul D23/242
D467,307 S * 12/2002 Sieger D23/242
D477,859 S * 7/2003 Citterio D23/241

1 Claim, 6 Drawing Sheets



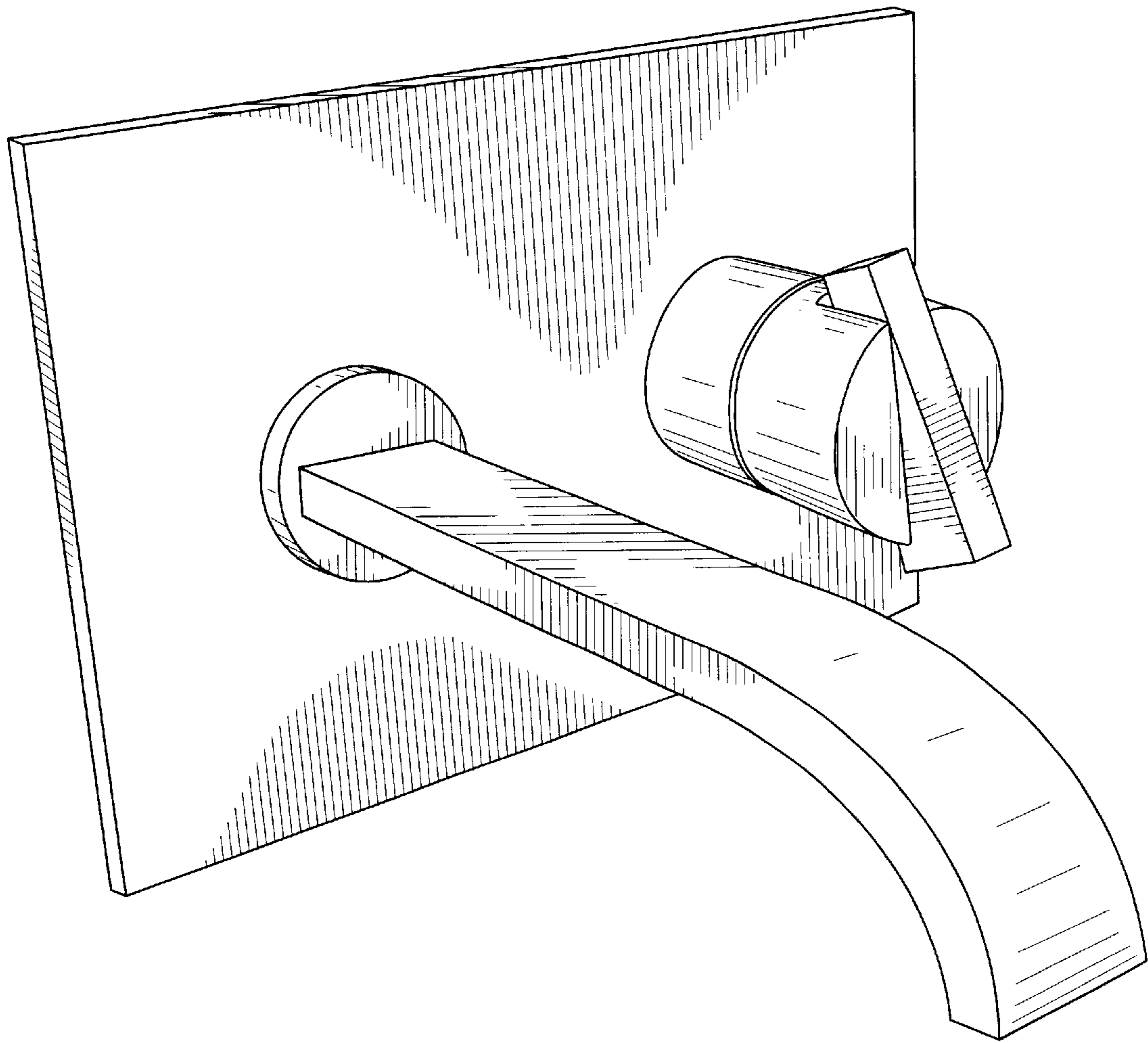


FIG. 1

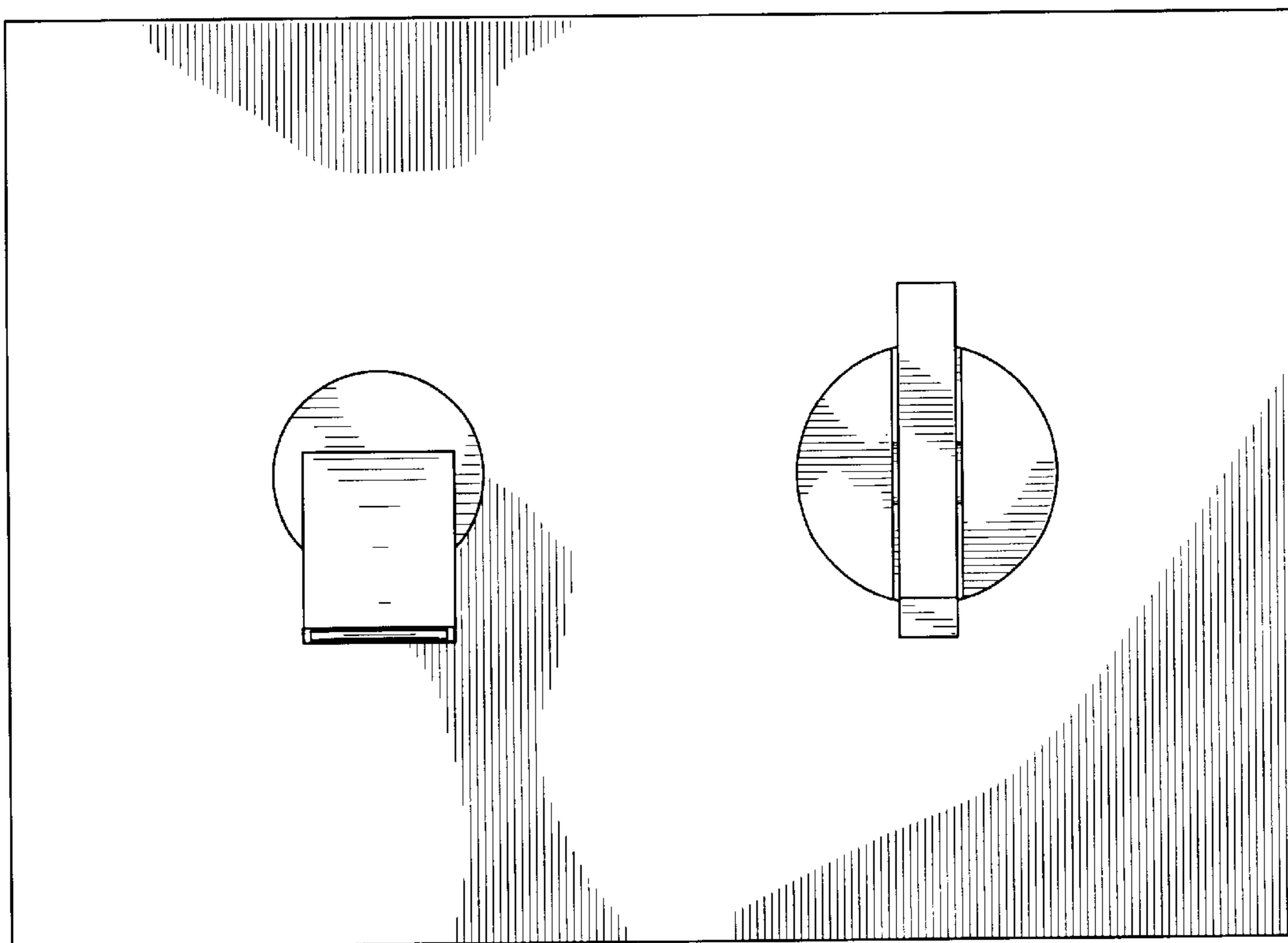


FIG. 2

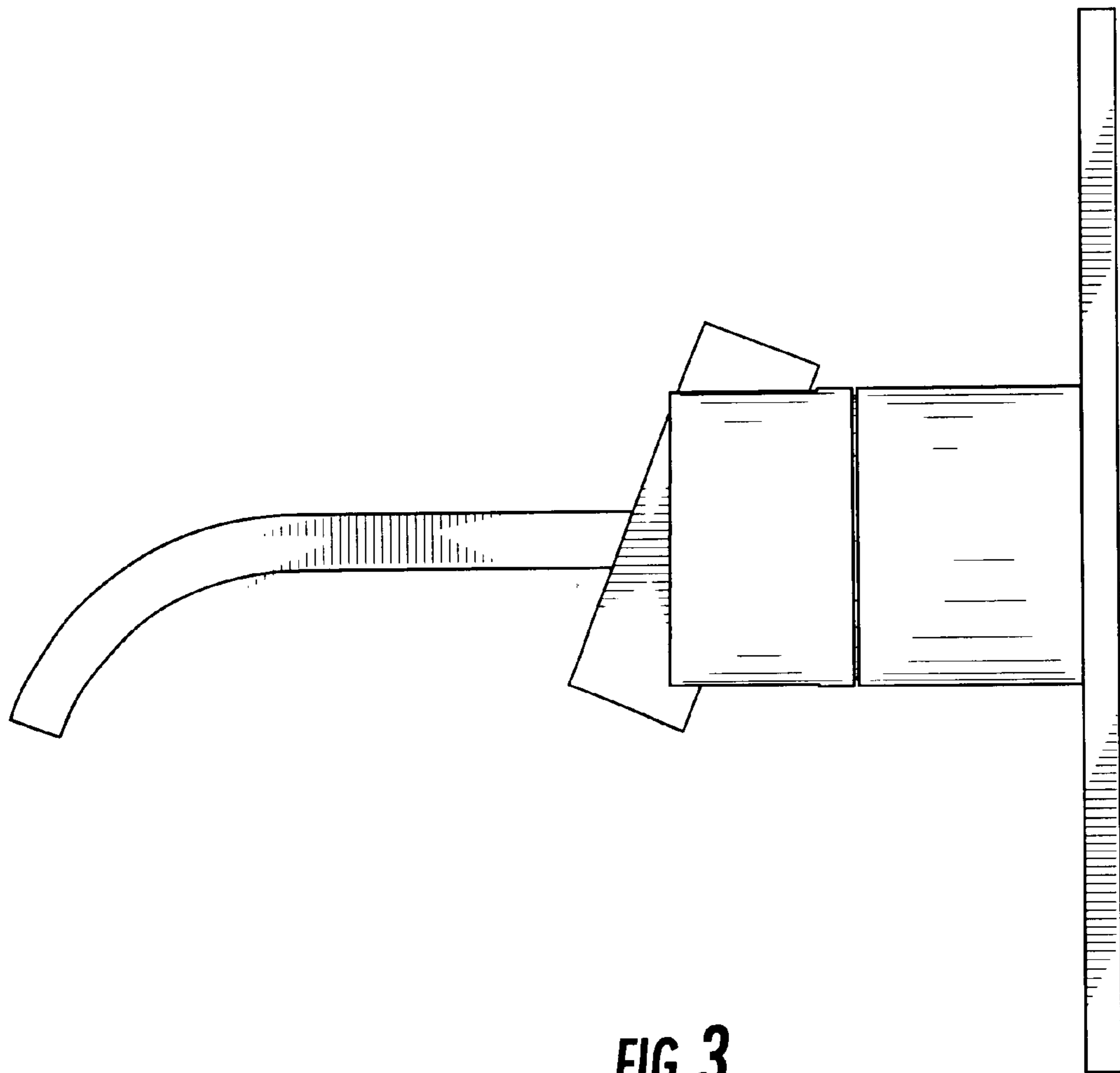


FIG. 3

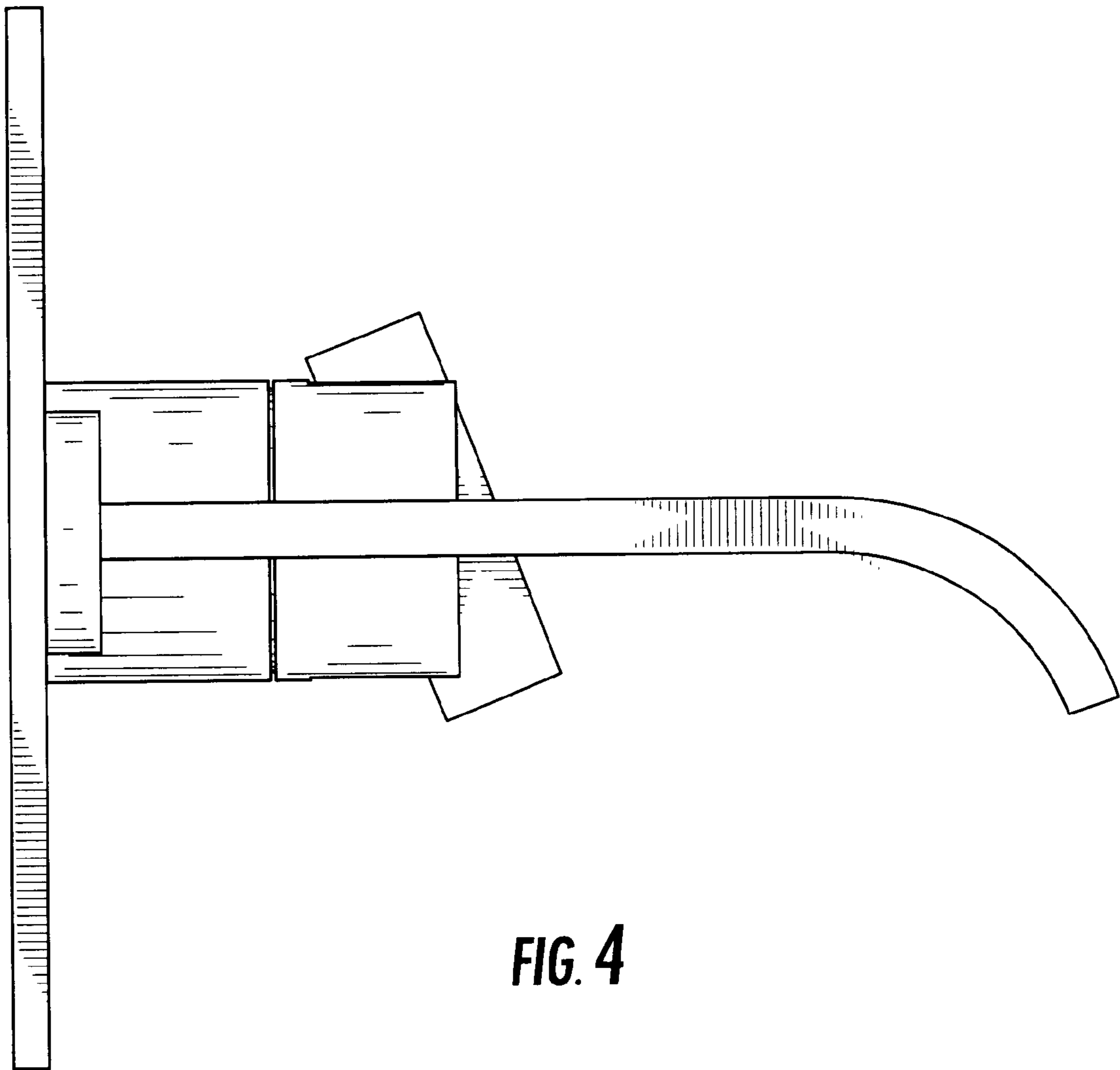


FIG. 4

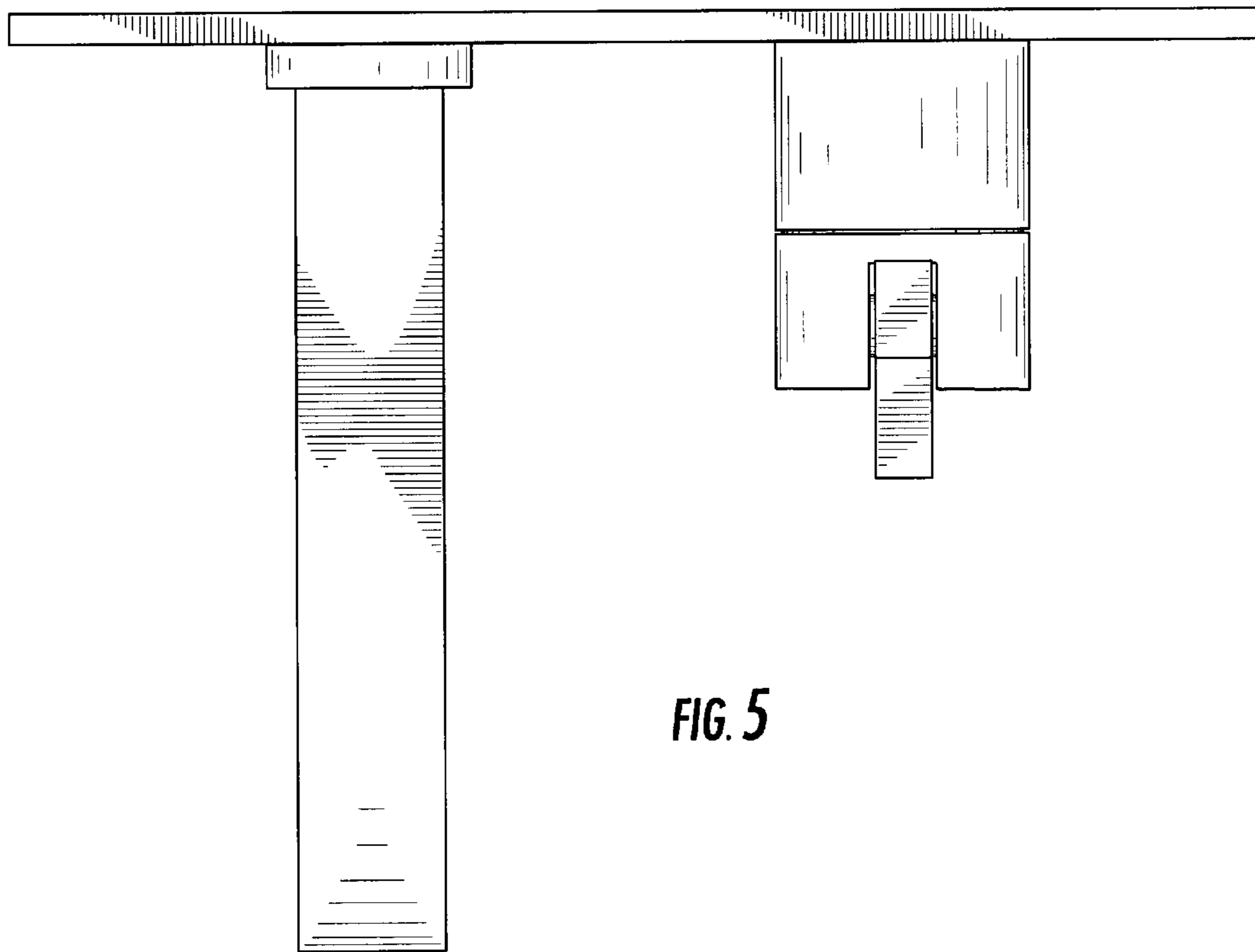


FIG. 5

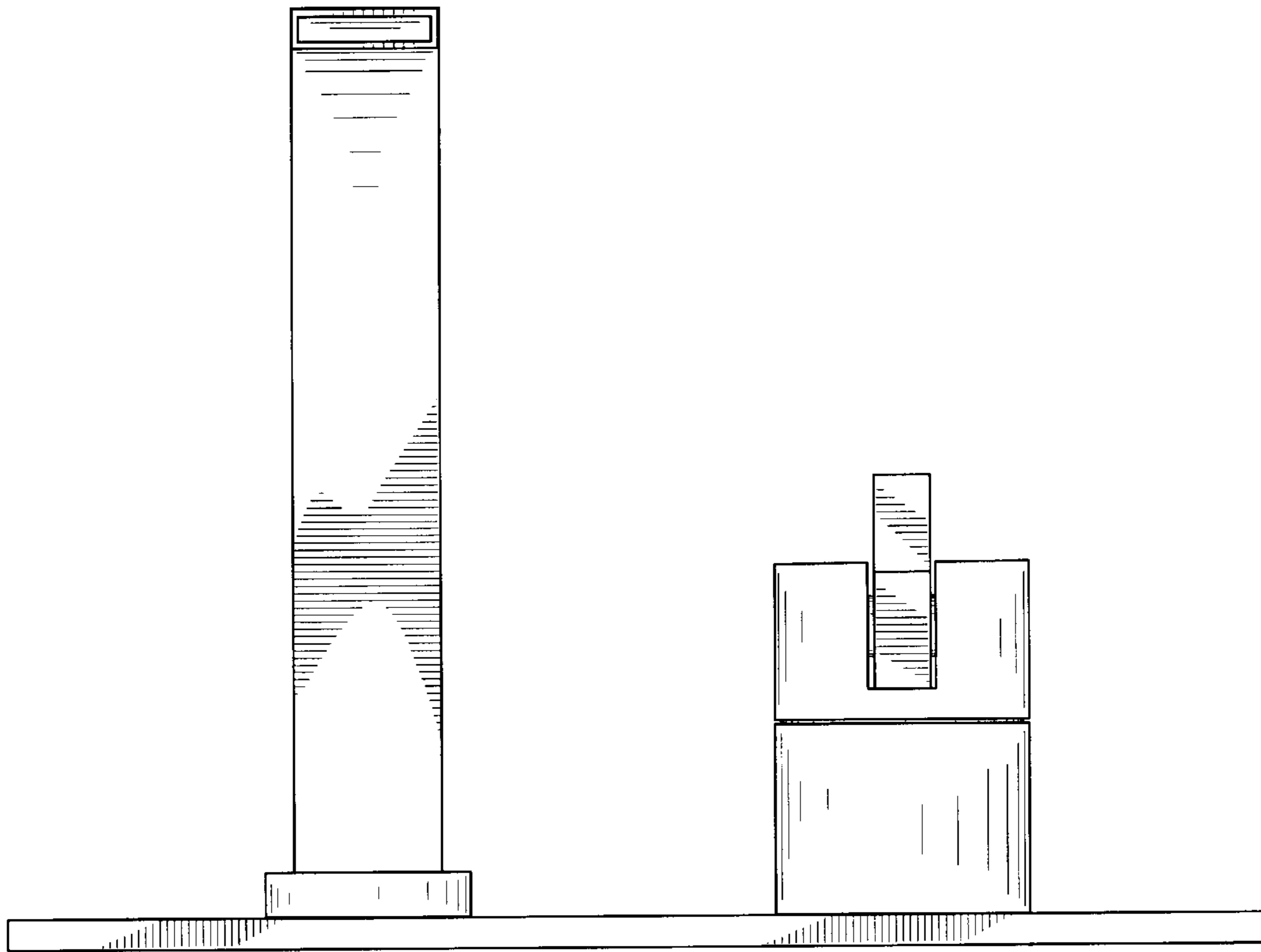


FIG. 6