



US00D529994S

(12) **United States Design Patent** (10) **Patent No.:** **US D529,994 S**
Kulig (45) **Date of Patent:** **** Oct. 10, 2006**

(54) **FAUCET**

(75) Inventor: **Zbigniew Kulig**, Wadsworth, IL (US)

(73) Assignee: **Graff Faucets**, Milwaukee, WI (US)

(**) Term: **14 Years**

(21) Appl. No.: **29/238,205**

(22) Filed: **Sep. 13, 2005**

(51) **LOC (8) Cl.** **23-01**

(52) **U.S. Cl.** **D23/238**

(58) **Field of Classification Search** D23/238-257;
4/675-678; 137/801

See application file for complete search history.

(56) **References Cited**

U.S. PATENT DOCUMENTS

D271,704 S	*	12/1983	Paul	D23/238
D315,792 S	*	3/1991	Kachigian	D24/147
D330,935 S	*	11/1992	Delepine	D23/238
D360,016 S	*	7/1995	Hsieh	D23/241

OTHER PUBLICATIONS

Kulig, U.S. Appl. No. 29/200,364, filed Feb. 26, 2004, entitled *Faucet*.

Kulig, U.S. Appl. No. 29/200,368, filed Feb. 26, 2004, entitled *Faucet*.

Kulig, U.S. Appl. No. 29/200,423, filed Feb. 26, 2004, entitled *Faucet*.

Kulig, U.S. Appl. No. 29/220,253, filed Dec. 28, 2004, entitled *Faucet*.

Kulig, U.S. Appl. No. 29/220,262, filed Dec. 28, 2004, entitled *Faucet*.

Kulig, U.S. Appl. No. 29/220,197, filed Dec. 28, 2004, entitled *Faucet*.

Kulig, U.S. Appl. No. 29/228,147, filed Apr. 20, 2005, entitled *Faucet*.

Kulig, U.S. Appl. No. 29/228,133, filed Apr. 20, 2005, entitled *Faucet*.

Kulig, U.S. Appl. No. 29/234,937, filed Jul. 25, 2005, entitled *Faucet*.

Kulig, U.S. Appl. No. 29/235,522, filed Aug. 3, 2005, entitled *Faucet*.

* cited by examiner

Primary Examiner—Louis S. Zarfes

Assistant Examiner—Gregory Andoll

(74) *Attorney, Agent, or Firm*—Boyle Fredrickson Newholm Stein & Gratz S.C.

(57) **CLAIM**

The ornamental design for a faucet, as shown and described.

DESCRIPTION

FIG. 1 is perspective view of a faucet incorporating my new design, viewed from in front of, above, and from the right side of the faucet;

FIG. 2 is a front elevation view thereof;

FIG. 3 is a rear elevation view thereof;

FIG. 4 is a top plan view thereof;

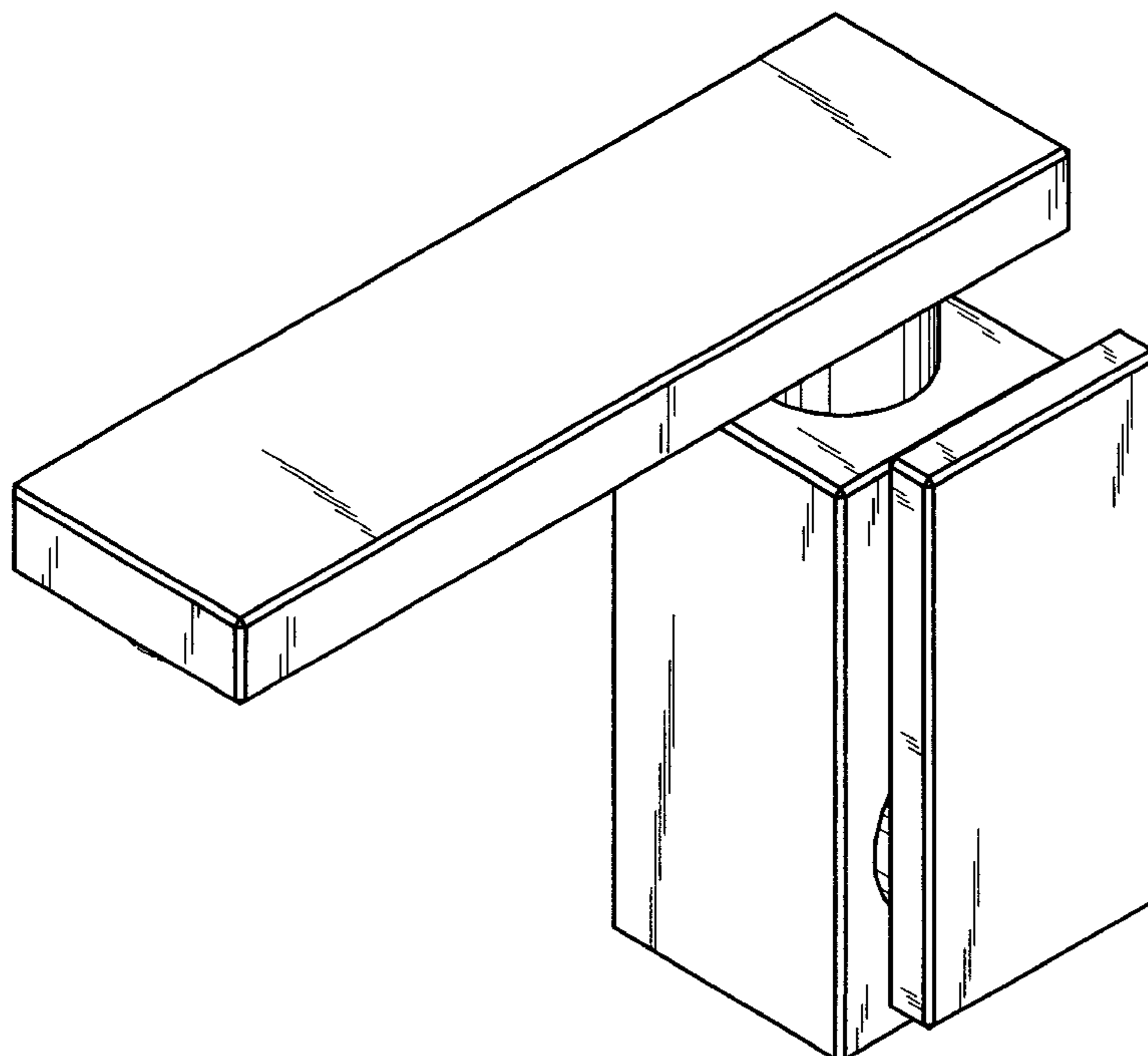
FIG. 5 is a bottom plan view thereof;

FIG. 6 is a left-side elevation view thereof; and,

FIG. 7 is a right-side elevation view thereof.

The broken lines in FIGS. 1, 2, and 5-7 are for illustrative purposes only and form no part of the claimed design.

1 Claim, 7 Drawing Sheets



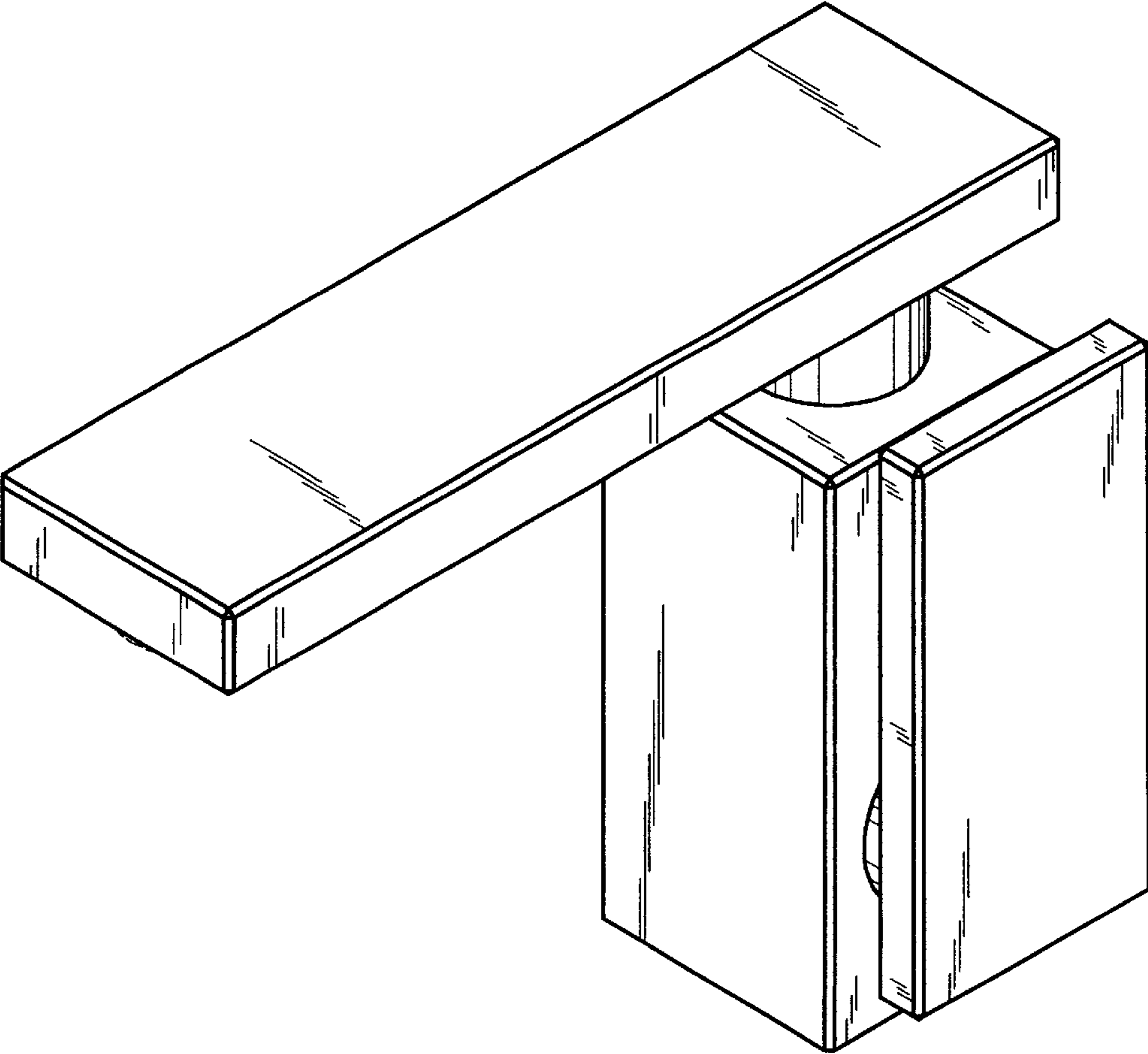


FIG. 1

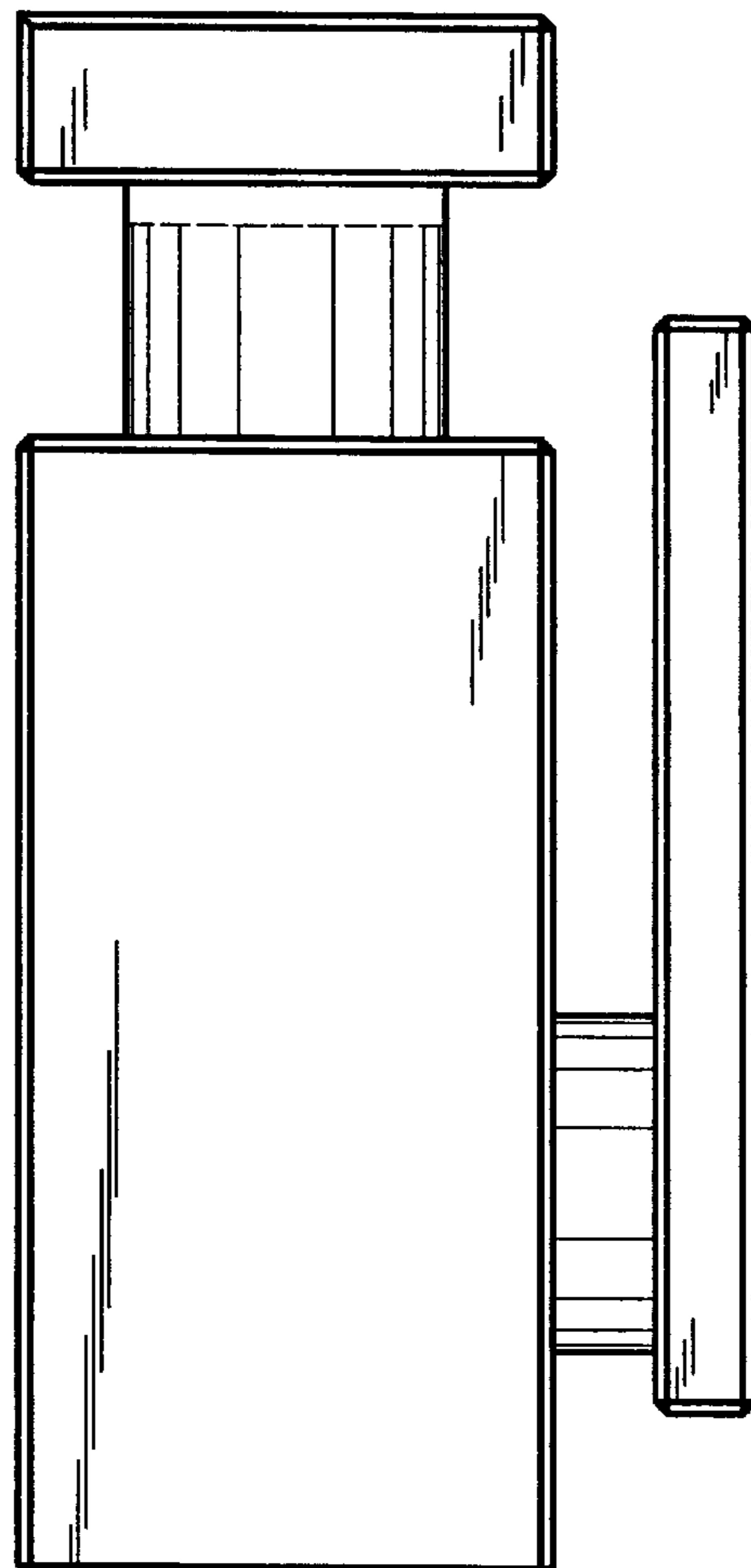


FIG. 2

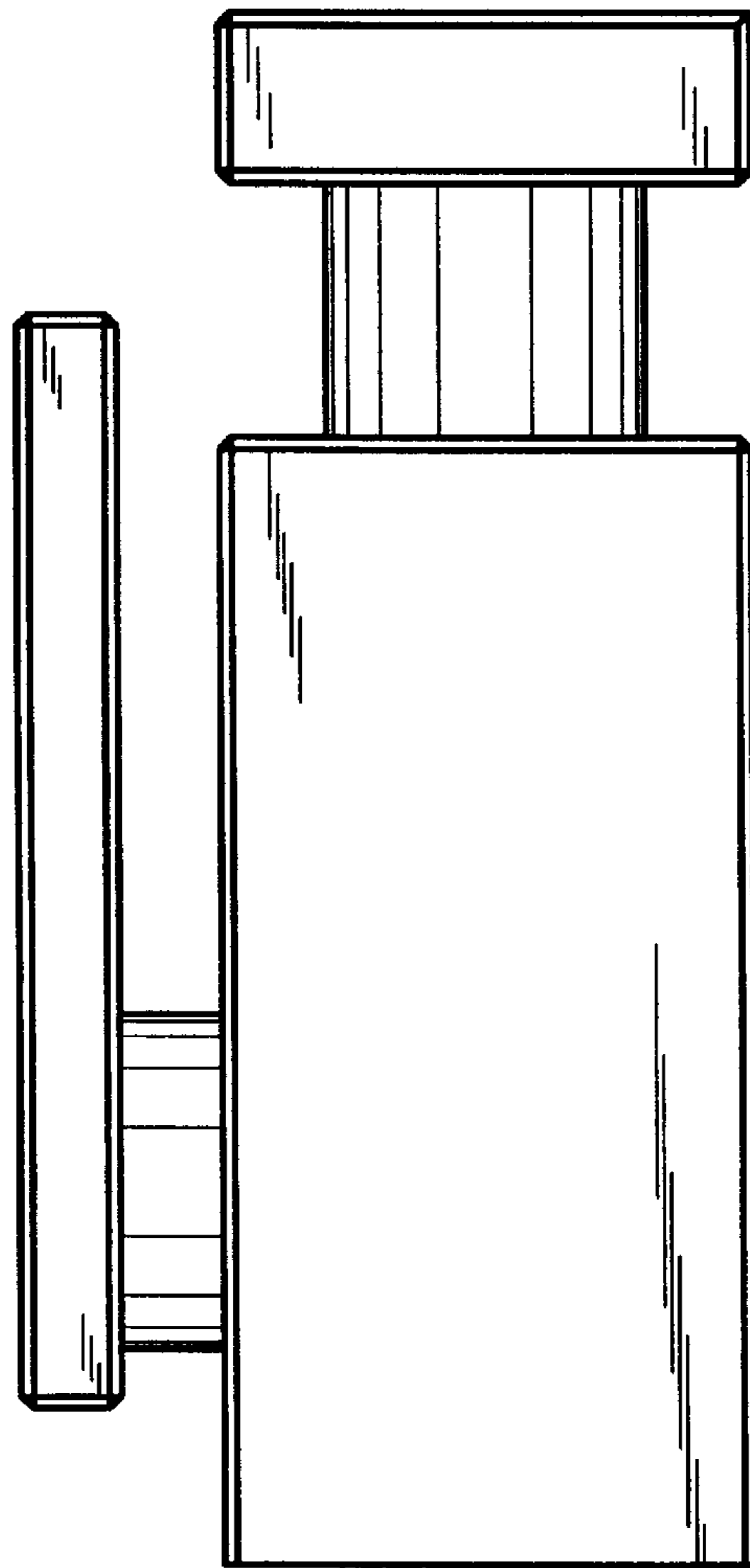


FIG. 3

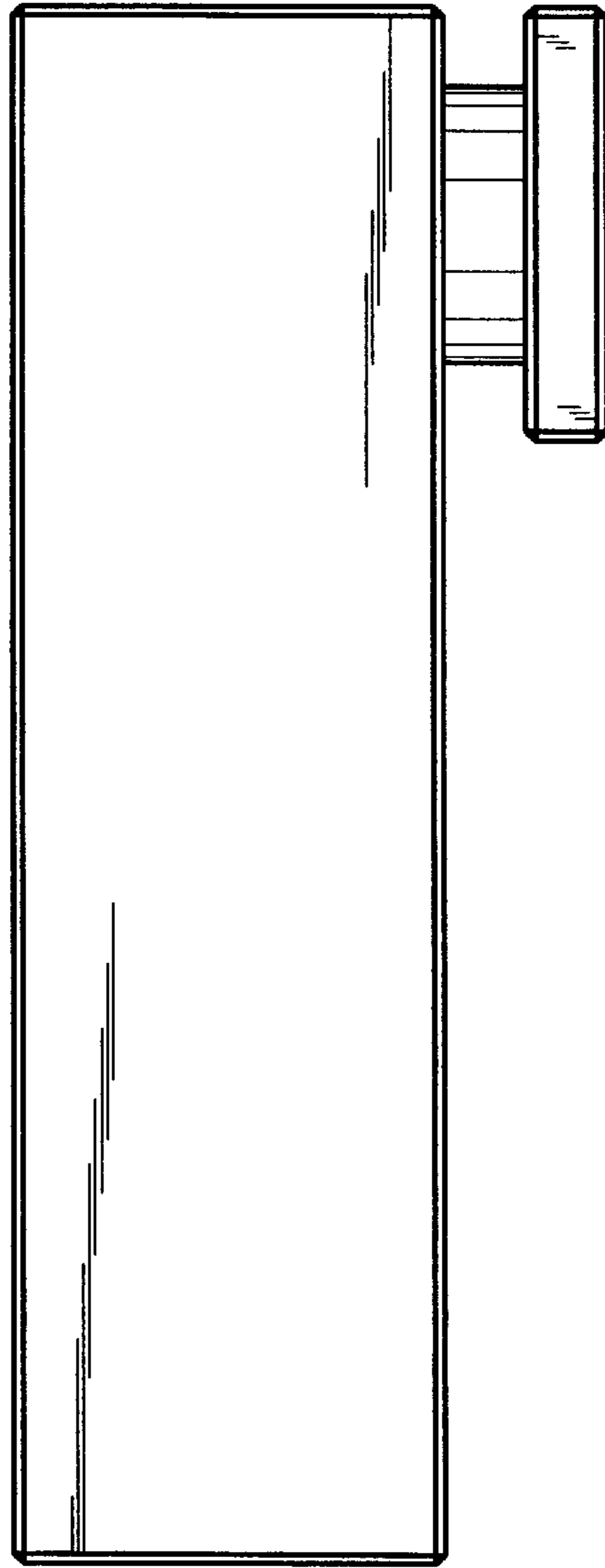


FIG. 4

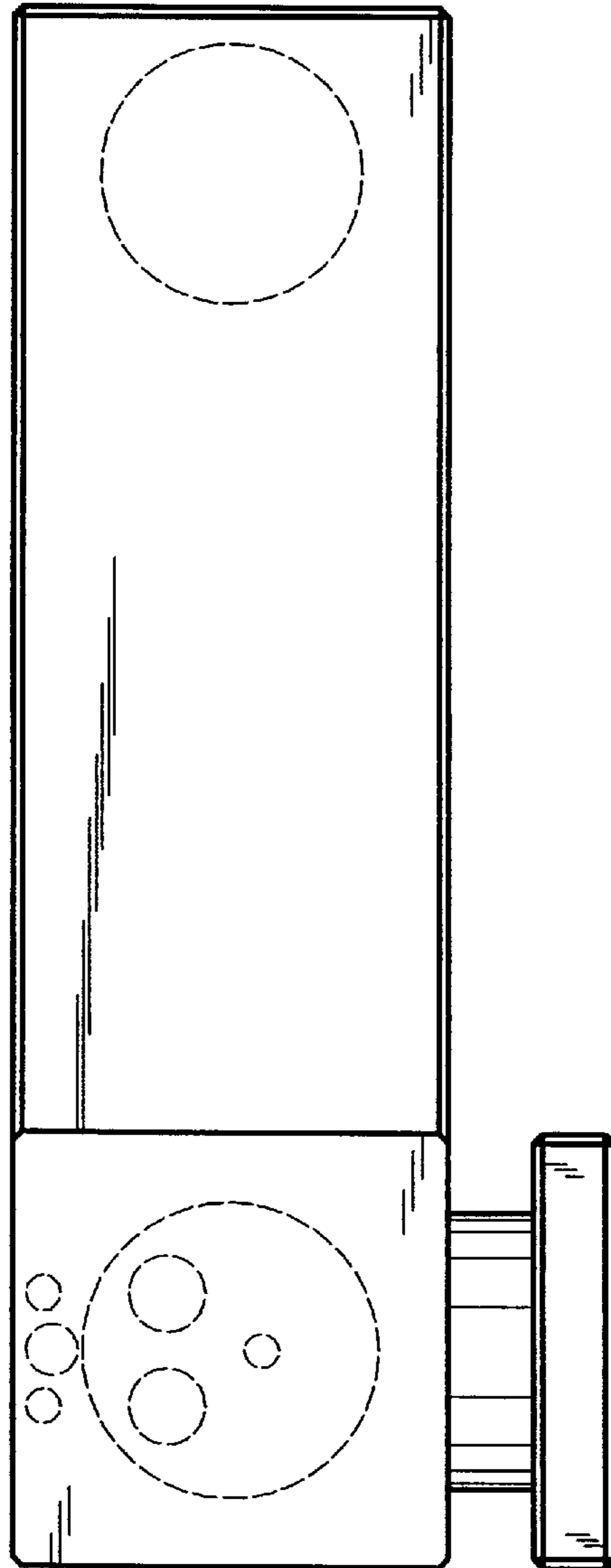


FIG. 5

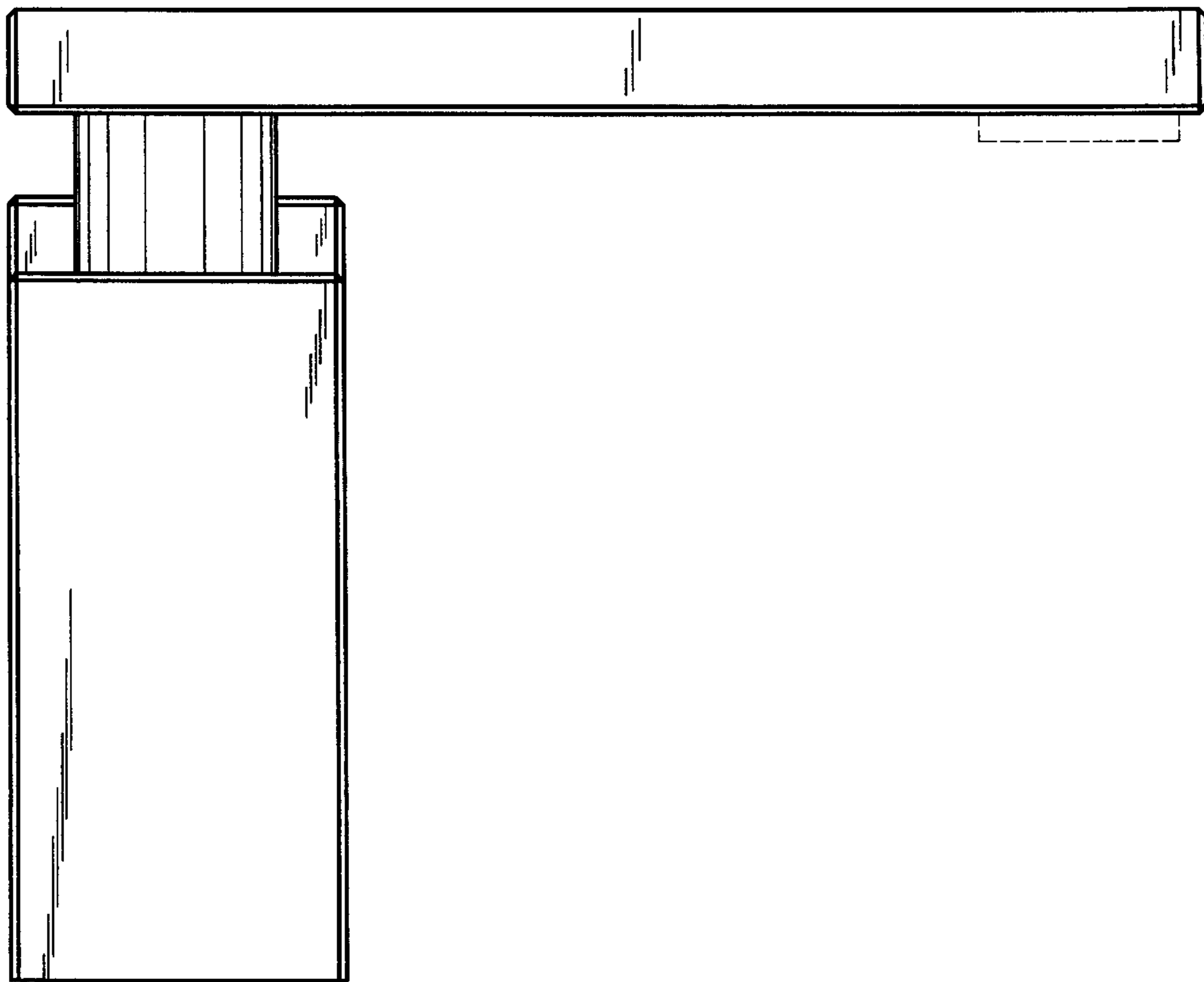


FIG. 6

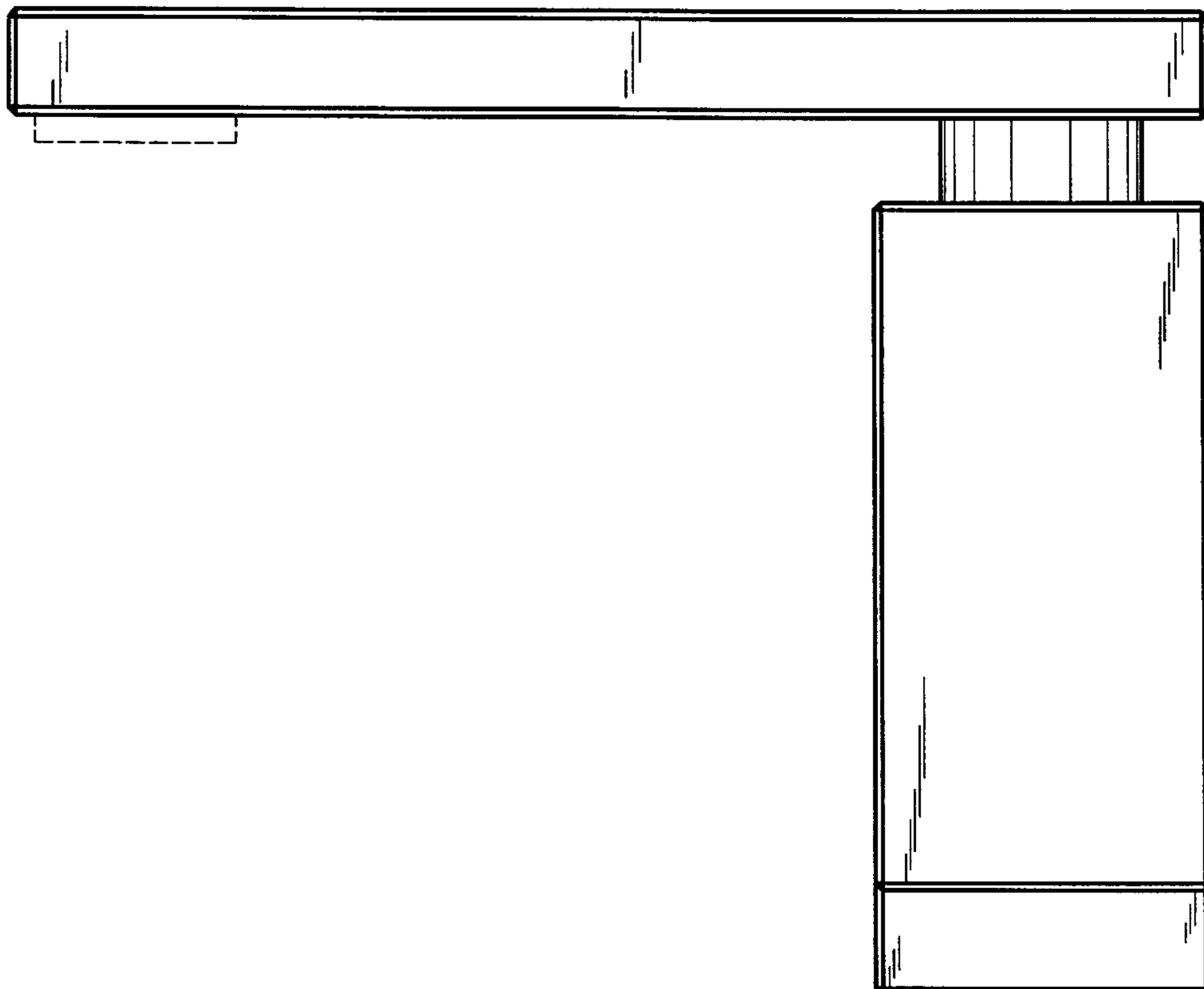


FIG. 7