



US00D529993S

(12) **United States Design Patent**
Funck et al.

(10) **Patent No.:** **US D529,993 S**

(45) **Date of Patent:** **** Oct. 10, 2006**

(54) **SINGLE HANDLE SHOWER FITTING**

(75) Inventors: **Barbara Funck**, Wendlingen (DE);
Rainer Weckenmann, Wendlingen
(DE)

(73) Assignee: **American Standard Europe B.V.B.A.**,
Brussels (BE)

(**) Term: **14 Years**

(21) Appl. No.: **29/238,181**

(22) Filed: **Sep. 12, 2005**

(30) **Foreign Application Priority Data**

Mar. 11, 2005 (EM) 000307715

(51) **LOC (8) Cl.** **23-01**

(52) **U.S. Cl.** **D23/238**

(58) **Field of Classification Search** D23/238-257;
4/675-678; 137/801

See application file for complete search history.

(56) **References Cited**

U.S. PATENT DOCUMENTS

D410,068 S * 5/1999 Gottwald D23/238

D434,470 S * 11/2000 Fleischmann D23/238

D434,832 S * 12/2000 Fleischmann D23/238

D443,916 S * 6/2001 Mullenmeister D23/238

D444,211 S * 6/2001 Mullenmeister D23/238

D472,606 S * 4/2003 Fleischmann D23/238

* cited by examiner

Primary Examiner—Louis S. Zarfes

Assistant Examiner—Gregory Andoll

(57) **CLAIM**

The ornamental design for a single handle shower fitting, as shown and described.

DESCRIPTION

FIG. 1 is a perspective view of a single handle shower fitting showing our new design;

FIG. 2 is a top plan view thereof;

FIG. 3 is a front elevational view thereof;

FIG. 4 is a left side elevational view thereof;

FIG. 5 is a rear elevational view thereof;

FIG. 6 is a right side elevational view thereof; and,

FIG. 7 is a bottom plan view.

The broken lines in the Figures are for illustrative purposes only and form no part of the claimed design.

1 Claim, 7 Drawing Sheets

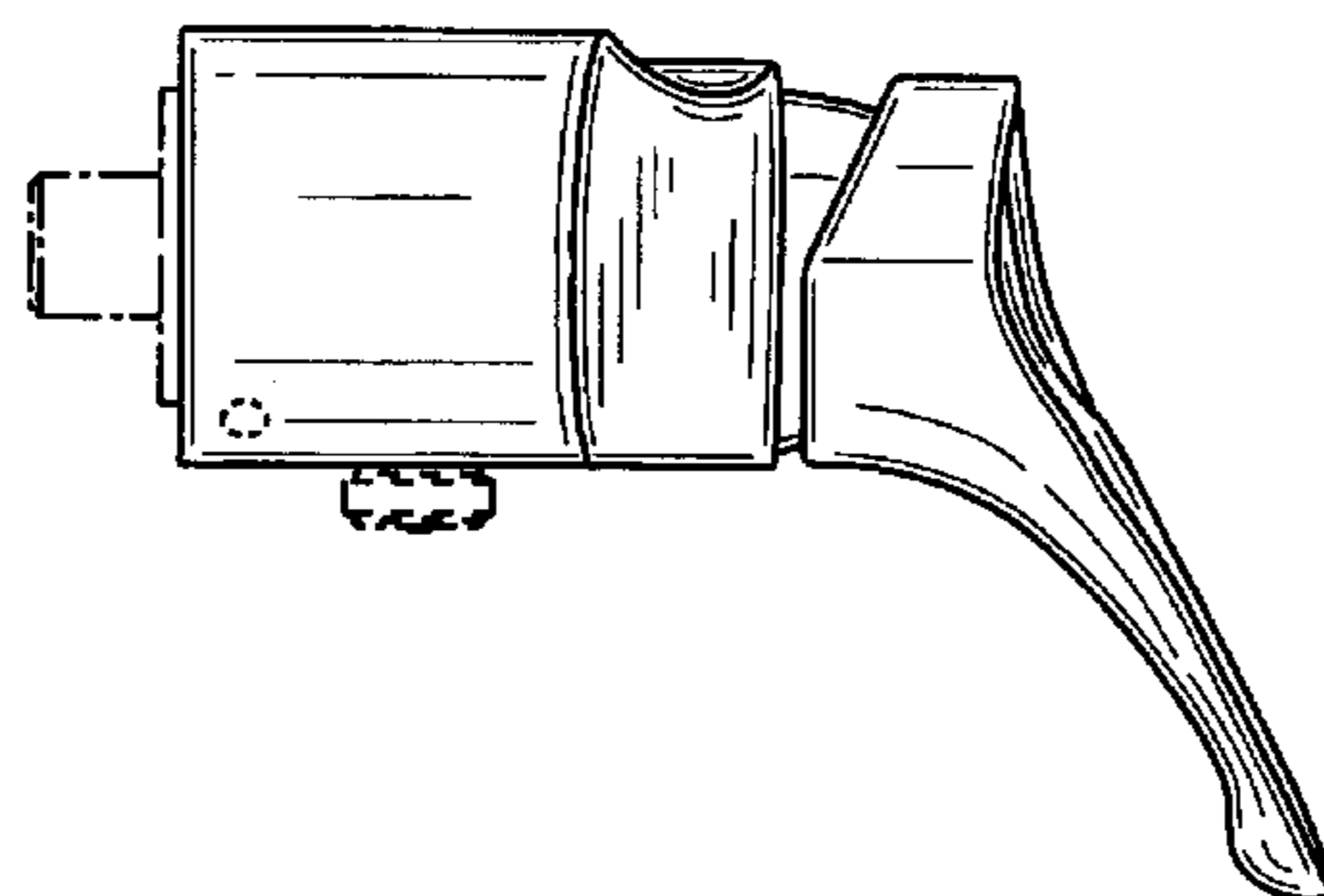
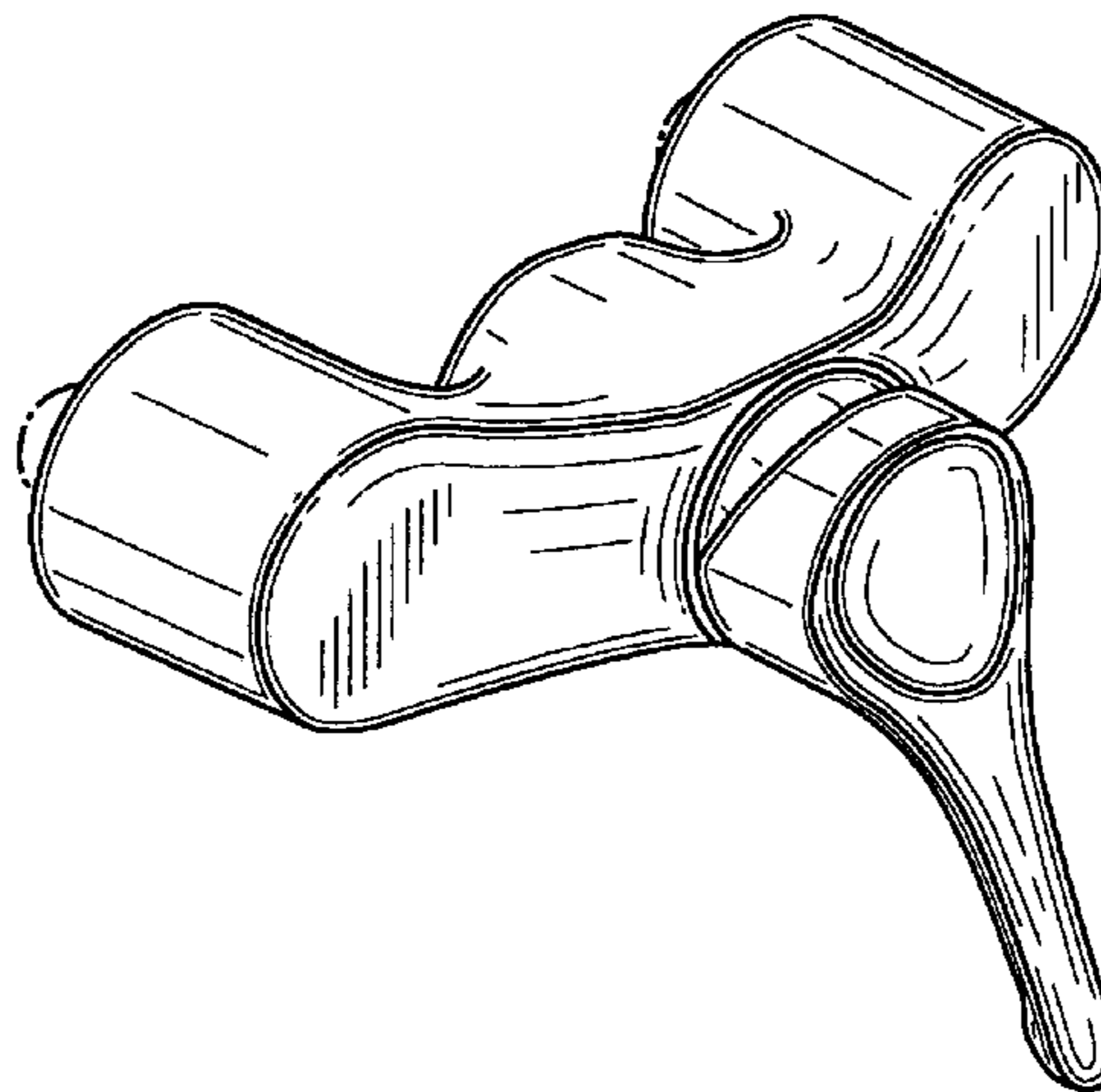


FIG. 1

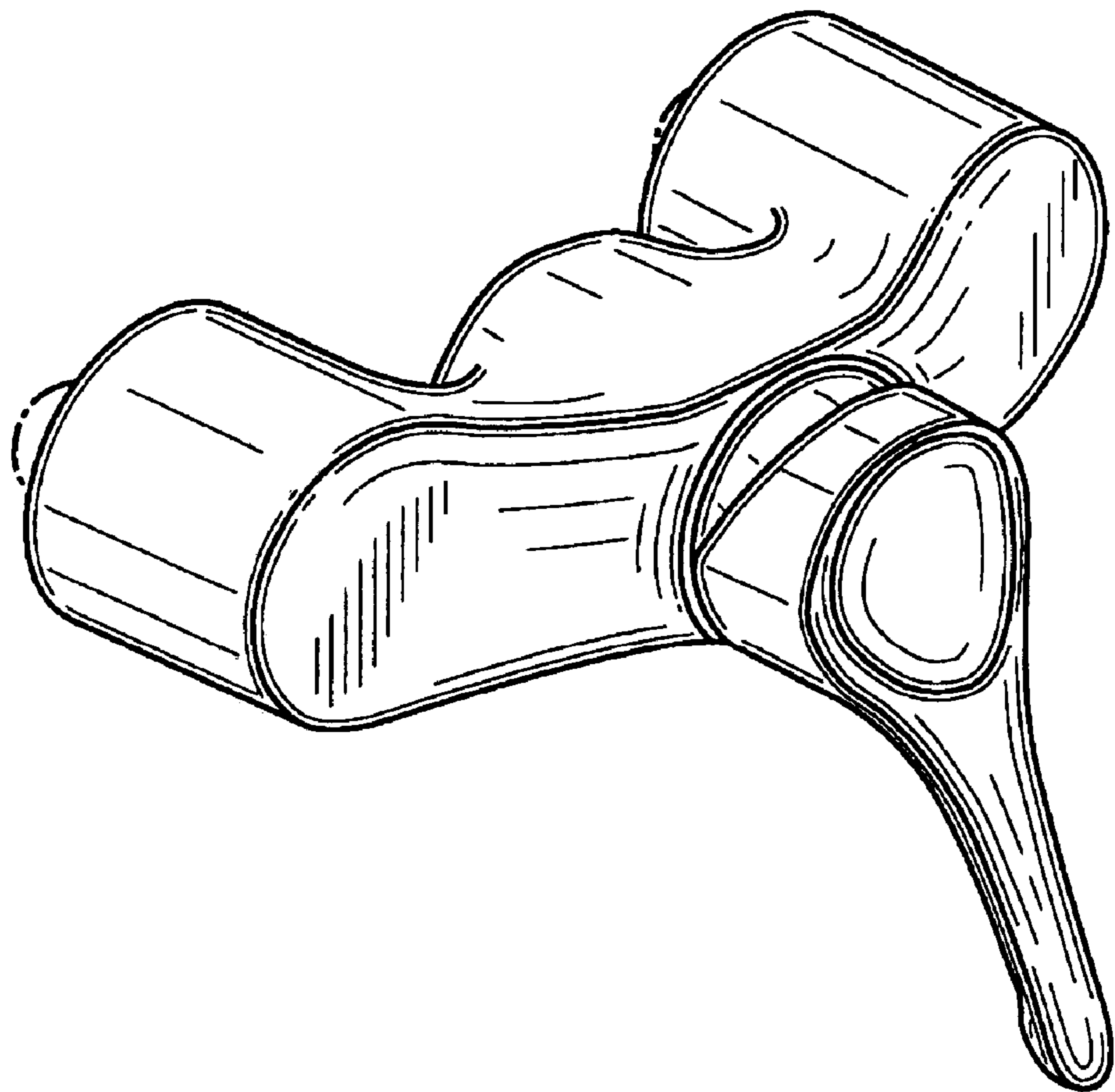


FIG. 2

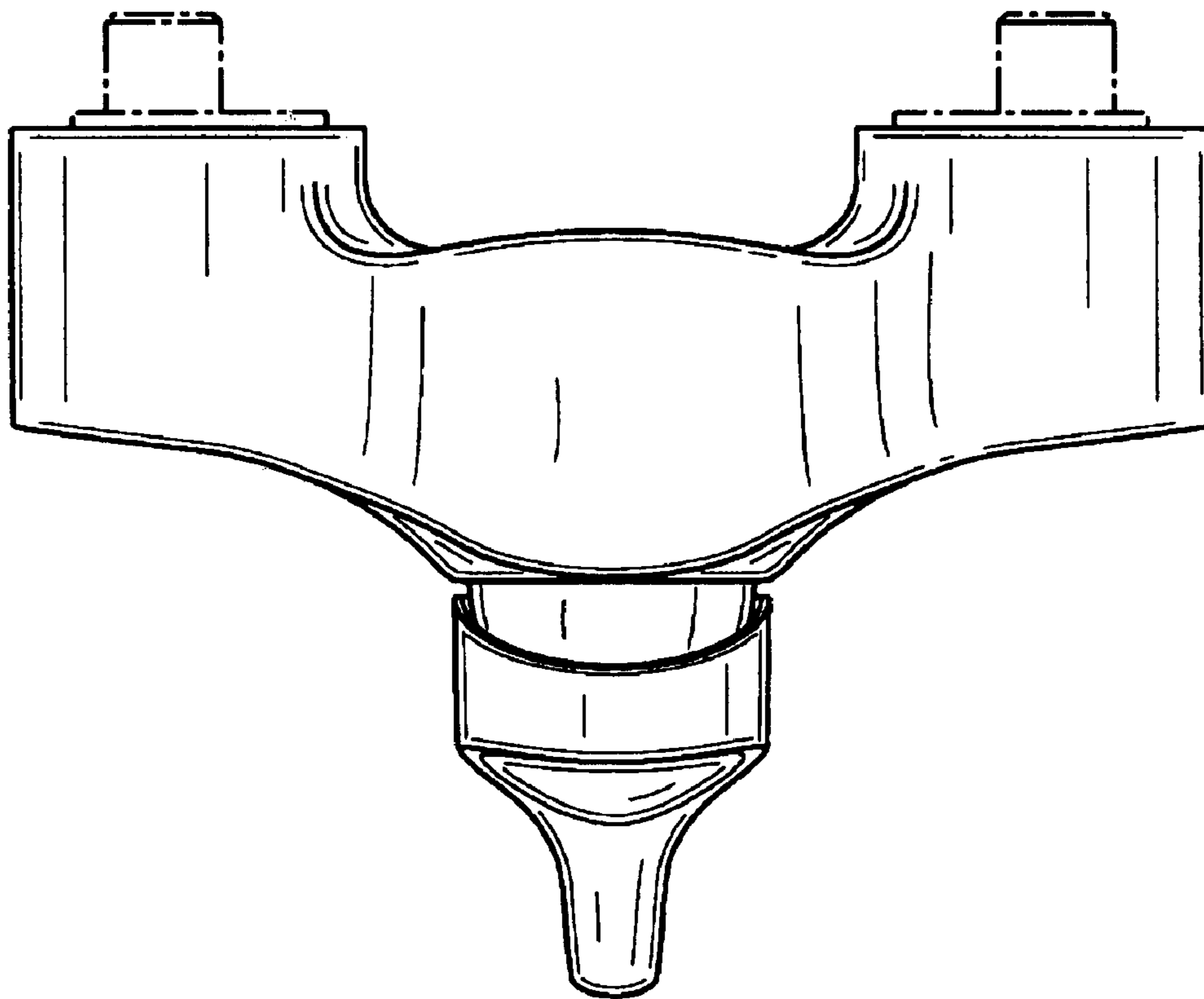


FIG. 3

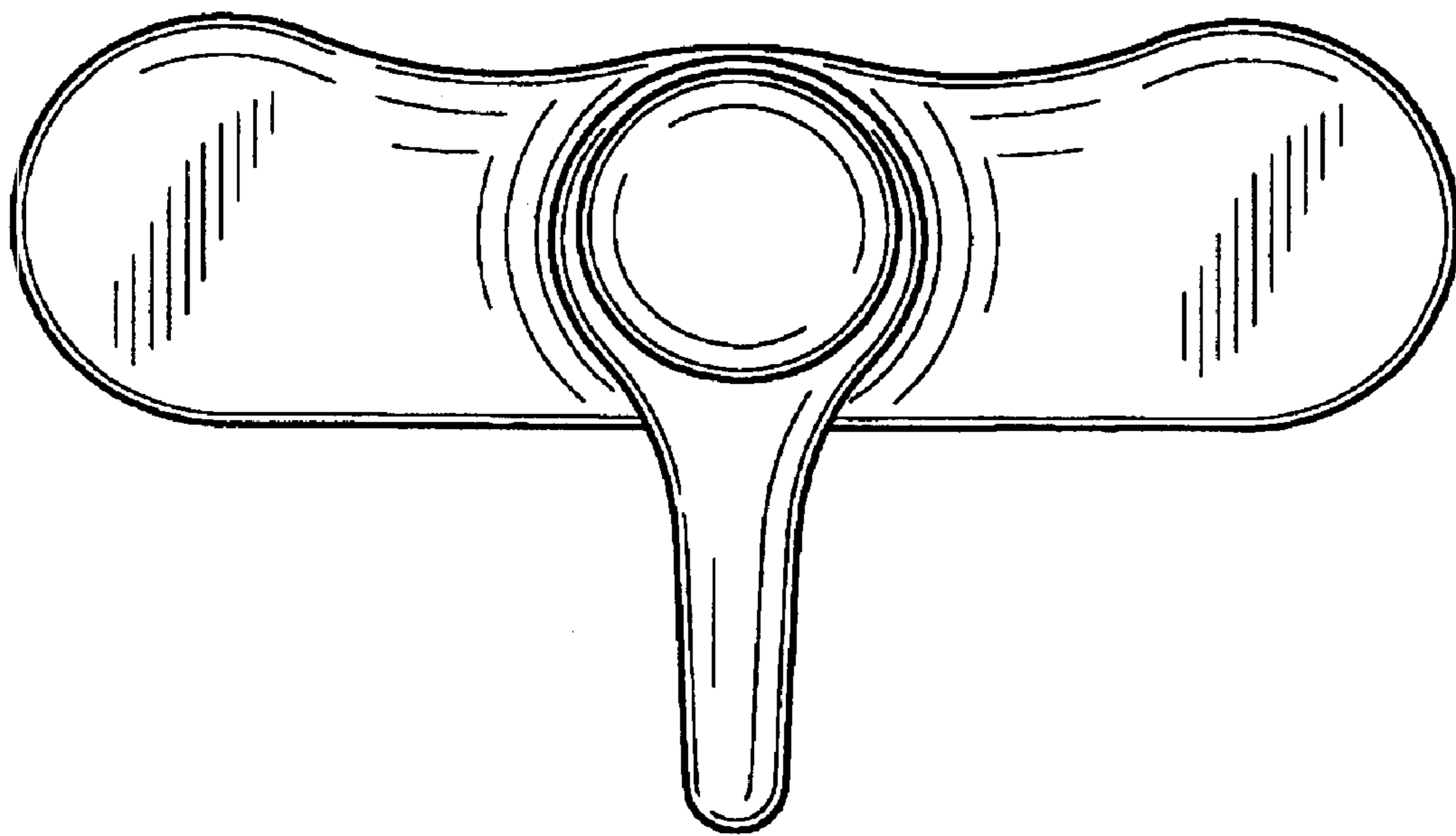


FIG. 4

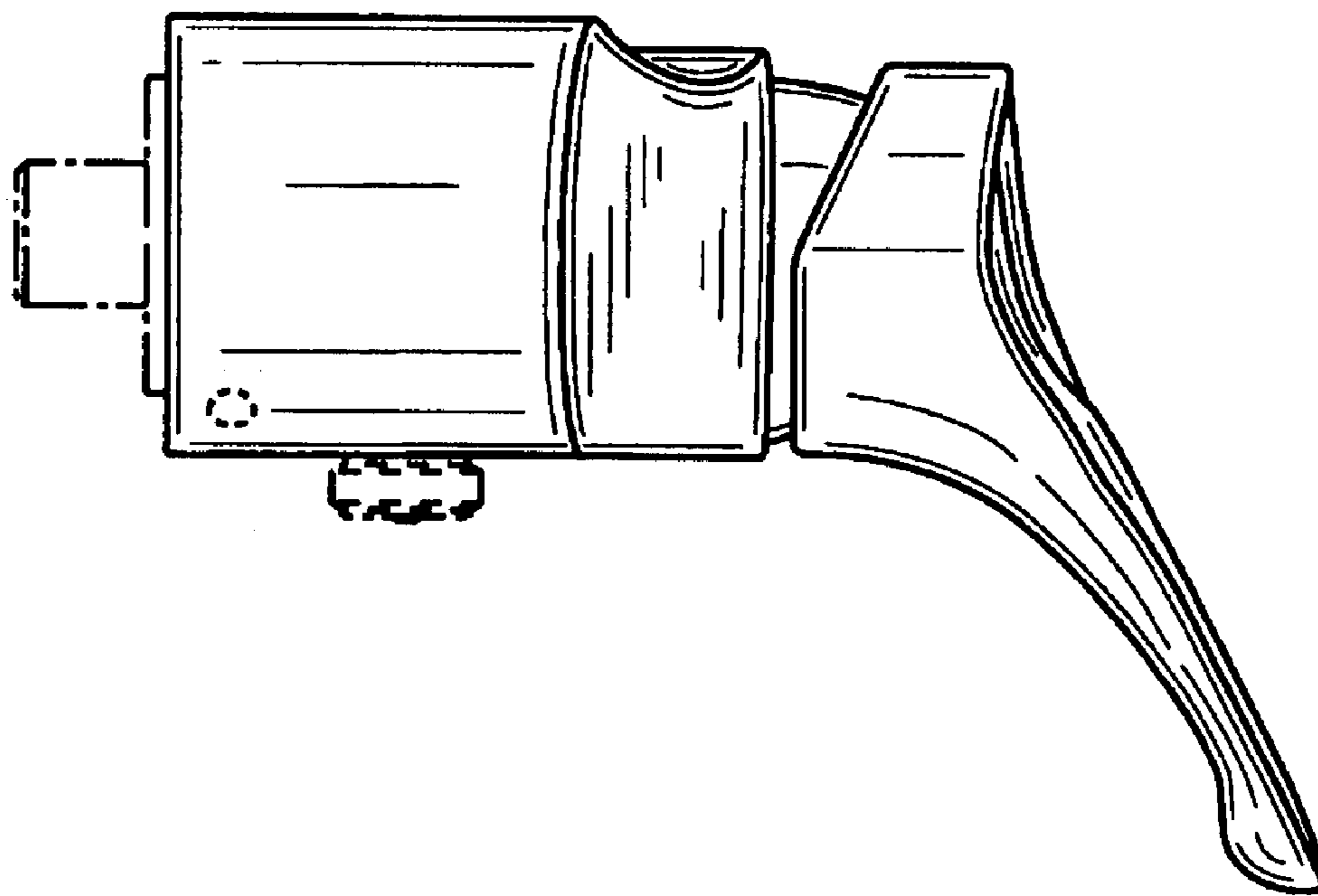


FIG. 5

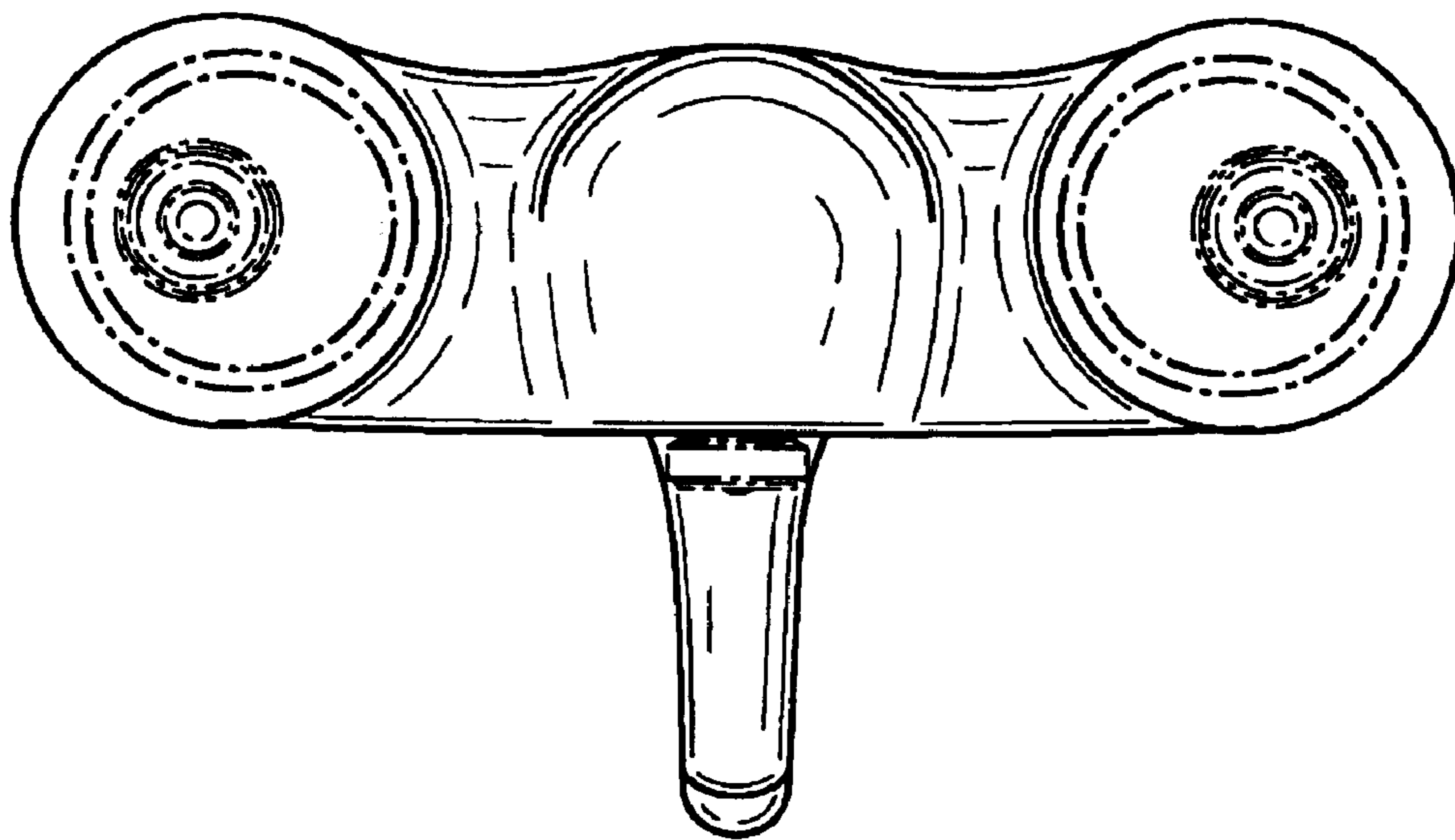


FIG. 6

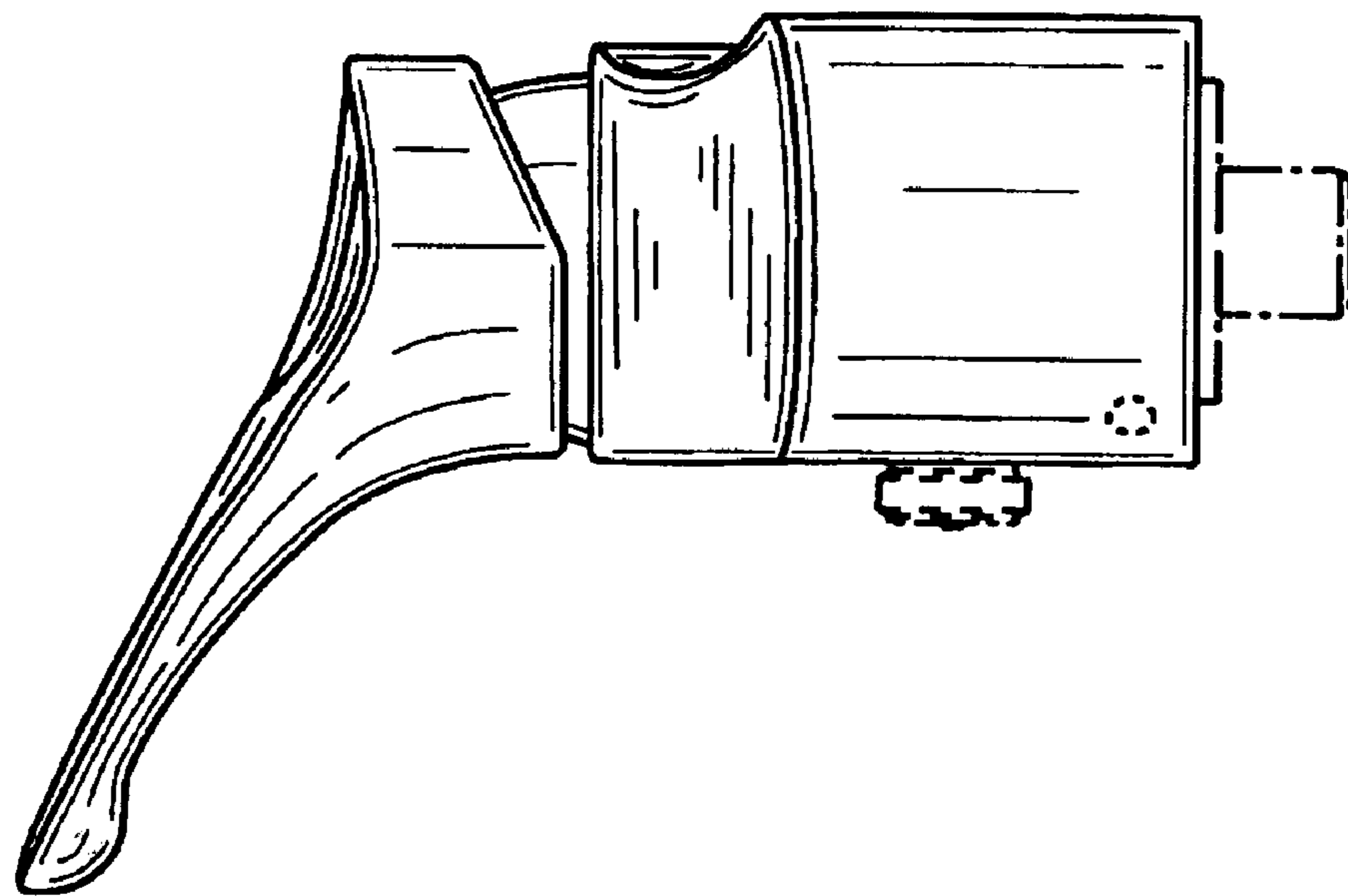


FIG. 7

