



US00D529985S

(12) **United States Design Patent**
Taylor

(10) **Patent No.:** **US D529,985 S**

(45) **Date of Patent:** **** Oct. 10, 2006**

(54) **FISH RECOVERY TOOL FOR ICE FISHING**

Primary Examiner—Catherine R. Oliver

(76) **Inventor:** **Joel S. Taylor**, 223 W. Main St., Omro, WI (US) 54963

(74) *Attorney, Agent, or Firm*—Donald J. Ersler

(**) **Term:** **14 Years**

(57) **CLAIM**

(21) **Appl. No.:** **29/236,489**

The ornamental design for a fish recovery tool for ice fishing, as shown and described.

(22) **Filed:** **Aug. 17, 2005**

DESCRIPTION

(51) **LOC (8) Cl.** **22-05**

FIG. 1 is a perspective view of a fish recovery tool for ice fishing incorporating my new design;

(52) **U.S. Cl.** **D22/149**

FIG. 2 is a top plan view thereof;

(58) **Field of Classification Search** D22/149,

FIG. 3 is a right side elevation view thereof with the left side elevation view being a mirror image of the right side elevation view;

D22/134–135, 199; 43/4–5; 294/26, 61; D3/7

See application file for complete search history.

FIG. 4 is a front elevation view thereof; and,

(56) **References Cited**

U.S. PATENT DOCUMENTS

FIG. 5 is a rear elevation view thereof.

D460,993 S * 7/2002 Smith D22/134

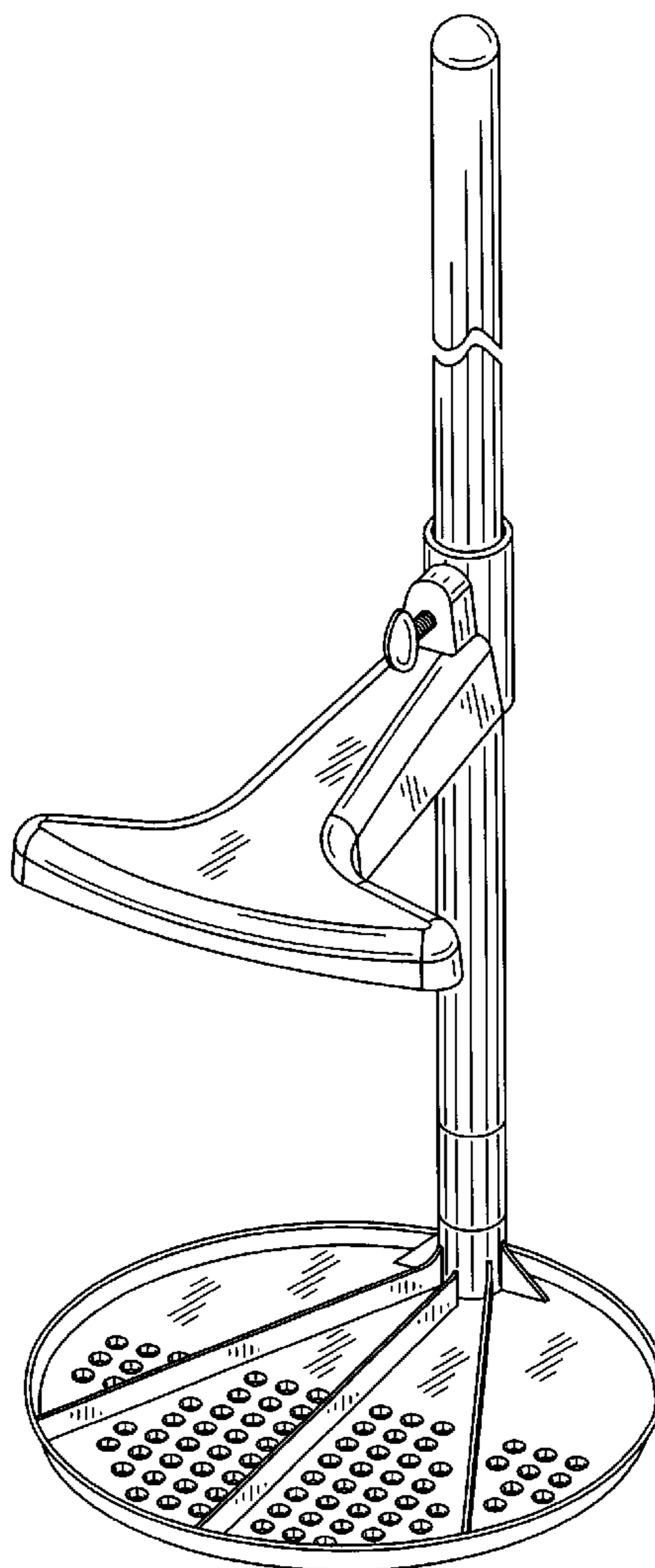
The handle shown broken away to indicate indeterminate length.

6,598,334 B1 * 7/2003 Edevold 43/4

D518,550 S * 4/2006 Bertin D22/134

* cited by examiner

1 Claim, 5 Drawing Sheets



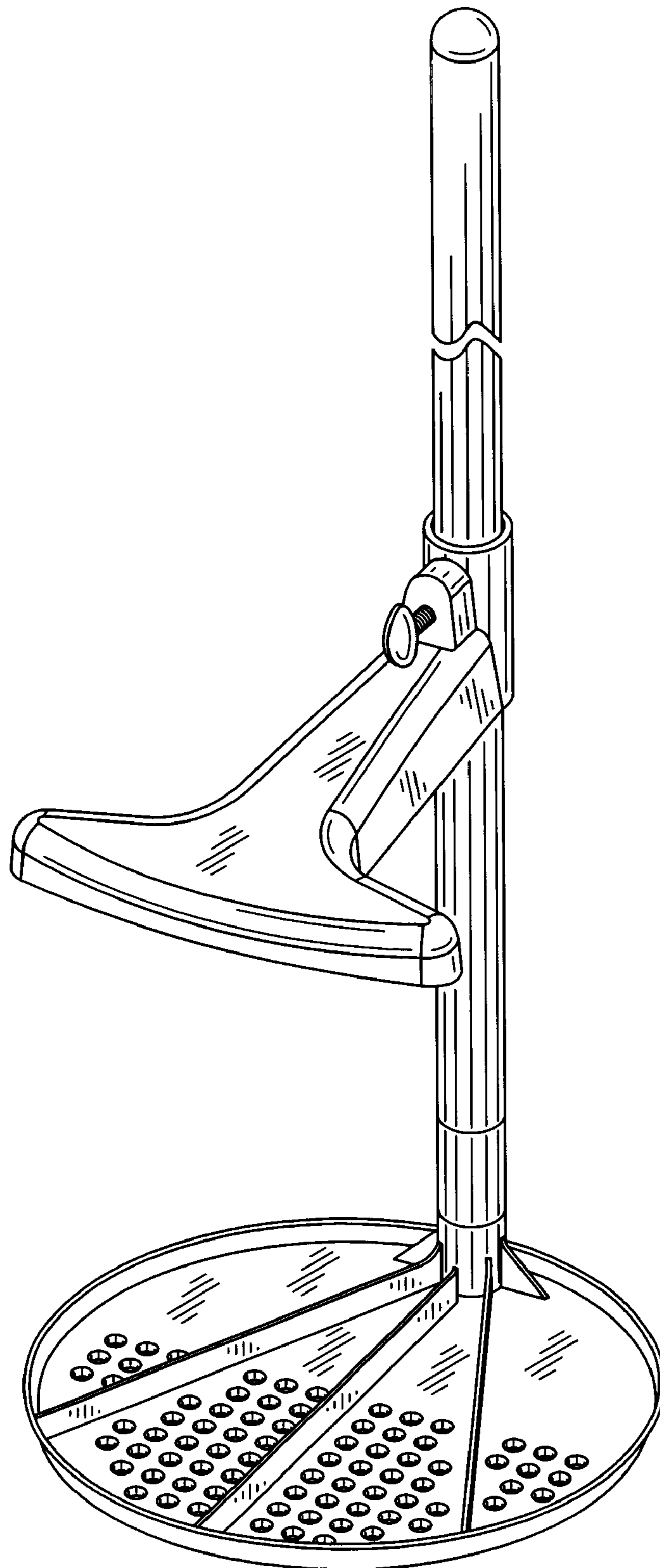


FIG. 1

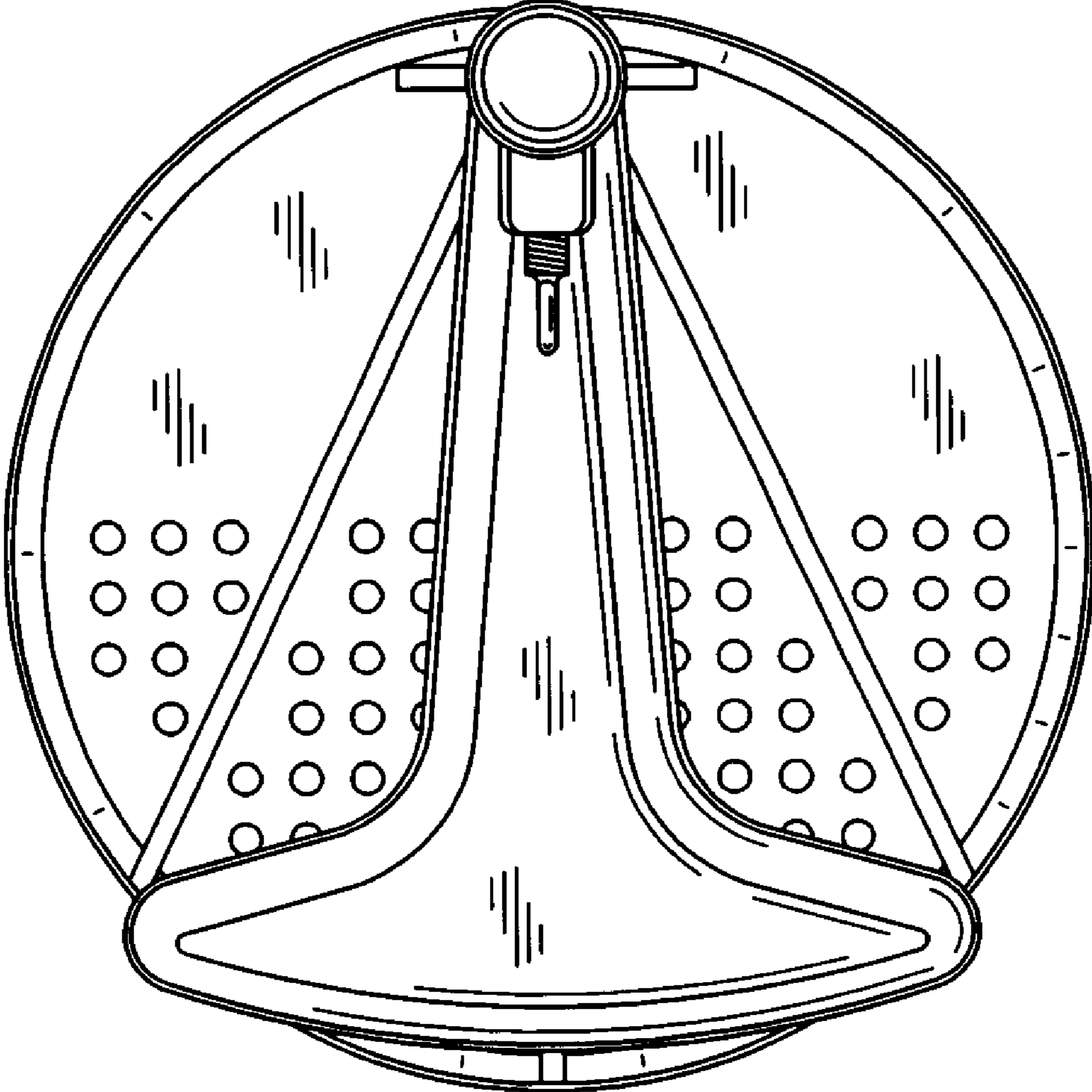


FIG. 2

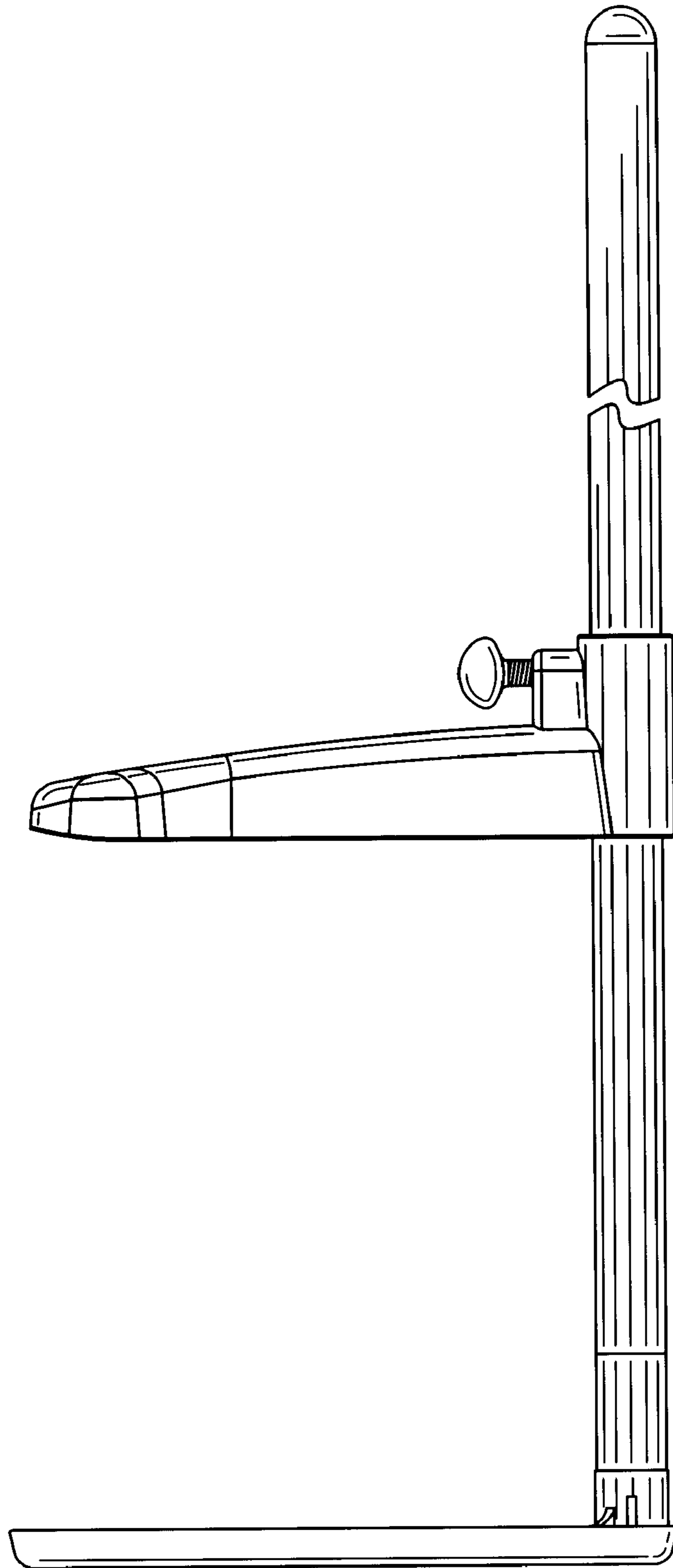


FIG. 3

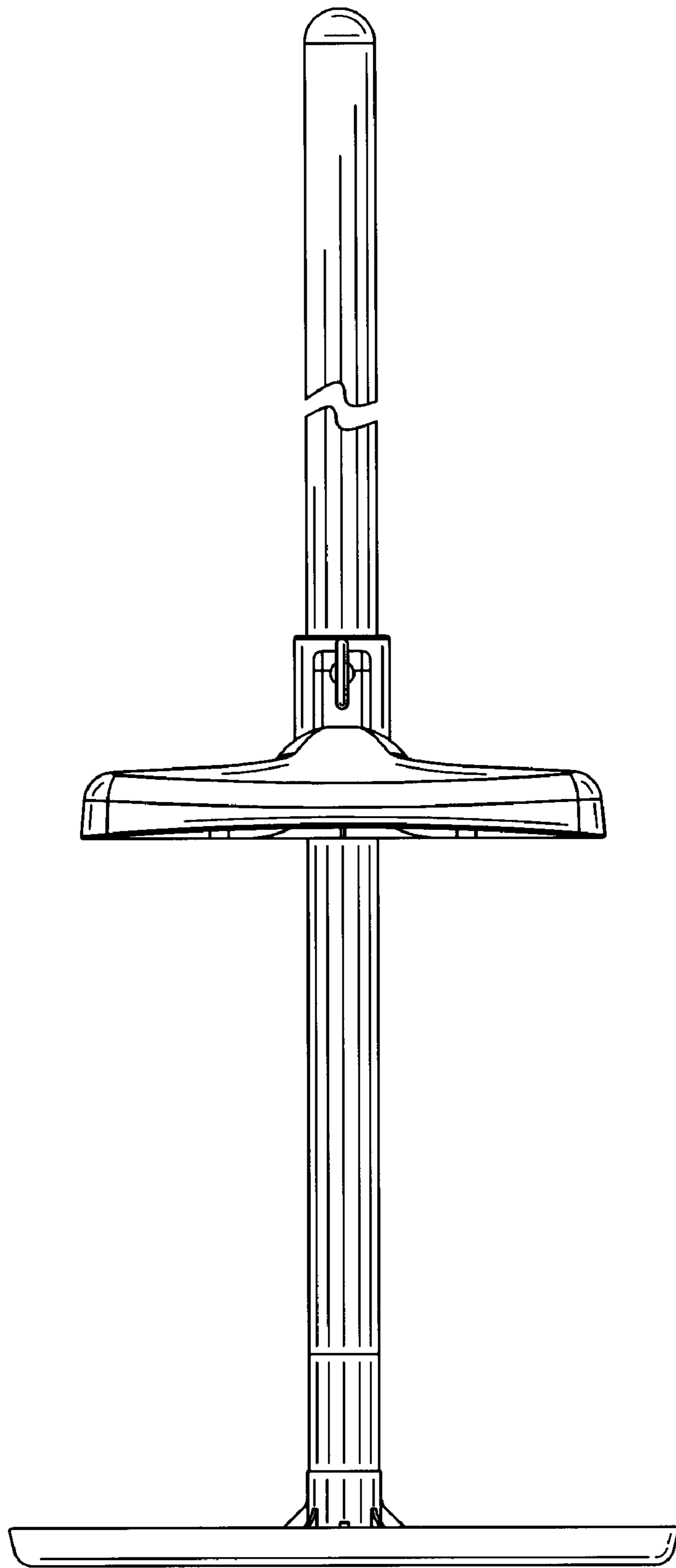


FIG. 4

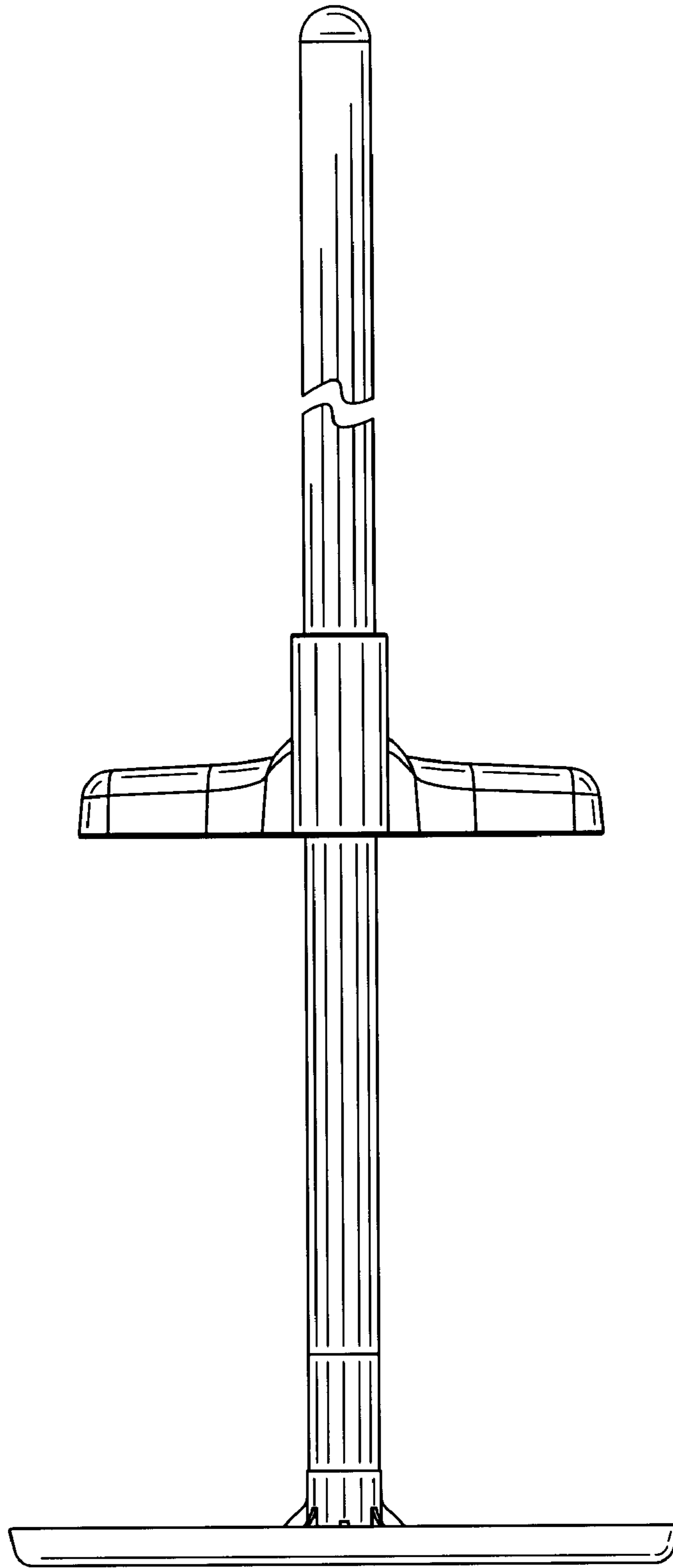


FIG. 5