



US00D529984S

(12) **United States Design Patent**
Iwabuchi

(10) **Patent No.:** **US D529,984 S**

(45) **Date of Patent:** **** Oct. 10, 2006**

(54) **FISHING REEL DRAG COVER**

(75) Inventor: **Masakazu Iwabuchi**, Tondabayashi (JP)

(73) Assignee: **Shimano Inc.**, Osaka (JP)

(**) Term: **14 Years**

(21) Appl. No.: **29/236,075**

(22) Filed: **Aug. 11, 2005**

(30) **Foreign Application Priority Data**

Feb. 25, 2005 (JP) 2005-005327

(51) **LOC (8) Cl.** **22-05**

(52) **U.S. Cl.** **D22/141**

(58) **Field of Classification Search** D22/140,
D22/141, 137-139; 242/318-322, 311, 295,
242/234-240

See application file for complete search history.

(56) **References Cited**

U.S. PATENT DOCUMENTS

D348,303 S	*	6/1994	Kameda et al.	D22/140
D378,277 S	*	3/1997	Napolitan et al.	D22/140
D451,577 S	*	12/2001	Duarte	D22/140
D502,754 S	*	3/2005	Tao	D22/140

* cited by examiner

Primary Examiner—Catherine R. Oliver

(74) *Attorney, Agent, or Firm*—Global IP Counselors, LLP

(57) **CLAIM**

The ornamental design for a fishing reel drag cover, as shown and described.

DESCRIPTION

FIG. 1 is a left top perspective view of the fishing reel drag cover in accordance with my new design;

FIG. 2 is a right top perspective view of the fishing reel drag cover in accordance with my new design;

FIG. 3 is a right bottom perspective view of the fishing reel drag cover in accordance with my new design;

FIG. 4 is a front elevational view of the fishing reel drag cover in accordance with my new design;

FIG. 5 is a top plan view of the fishing reel drag cover in accordance with my new design;

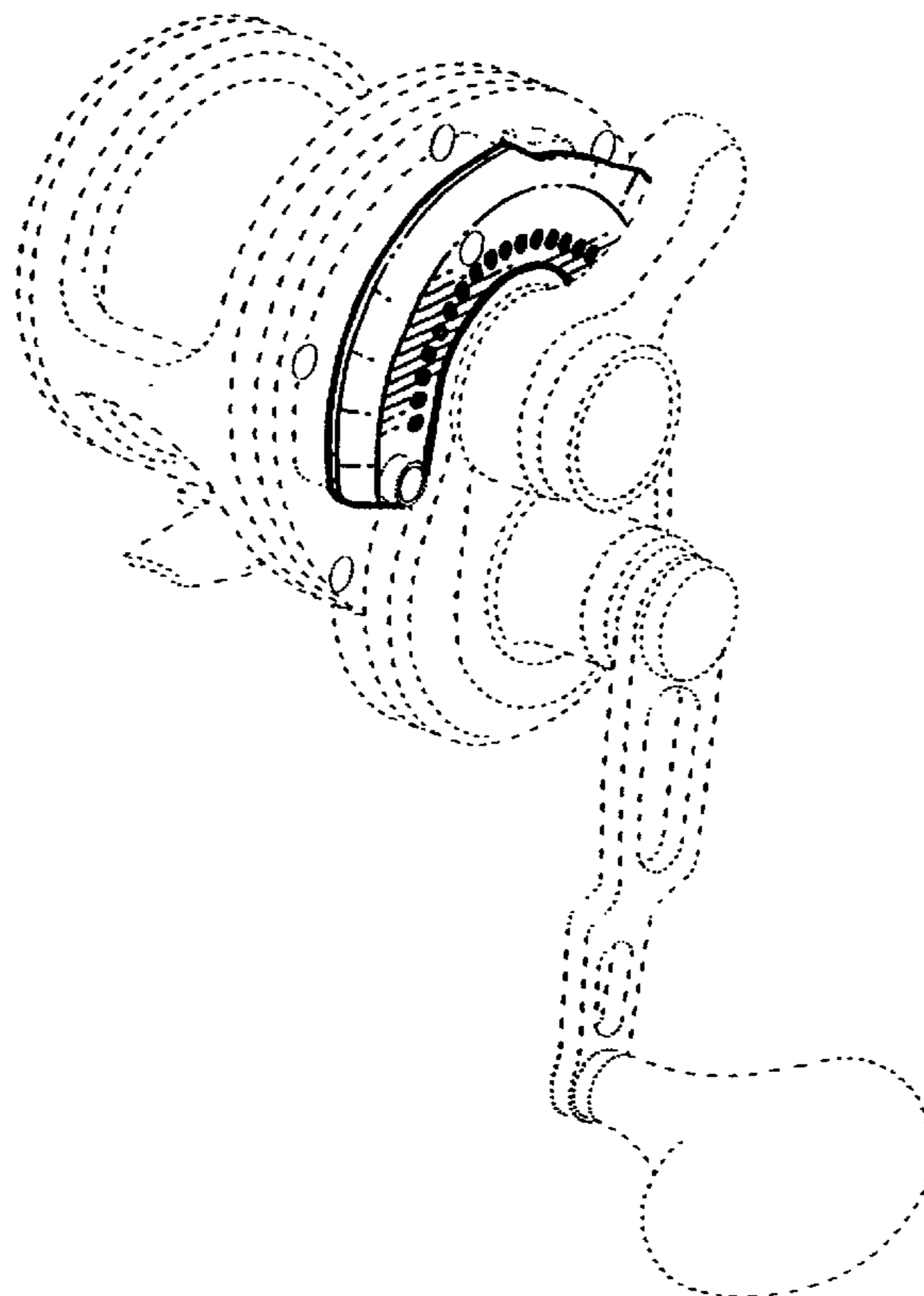
FIG. 6 is a bottom plan view of the fishing reel drag cover in accordance with my new design;

FIG. 7 is a right side view of the fishing reel drag cover in accordance with my new design; and,

FIG. 8 is a left side view of the fishing reel drag cover in accordance with my new design.

The broken line showing of environment (the remaining structure of the fishing reel drag cover) in the Figures is for illustrative purposes only and forms no part of the claimed design.

1 Claim, 4 Drawing Sheets



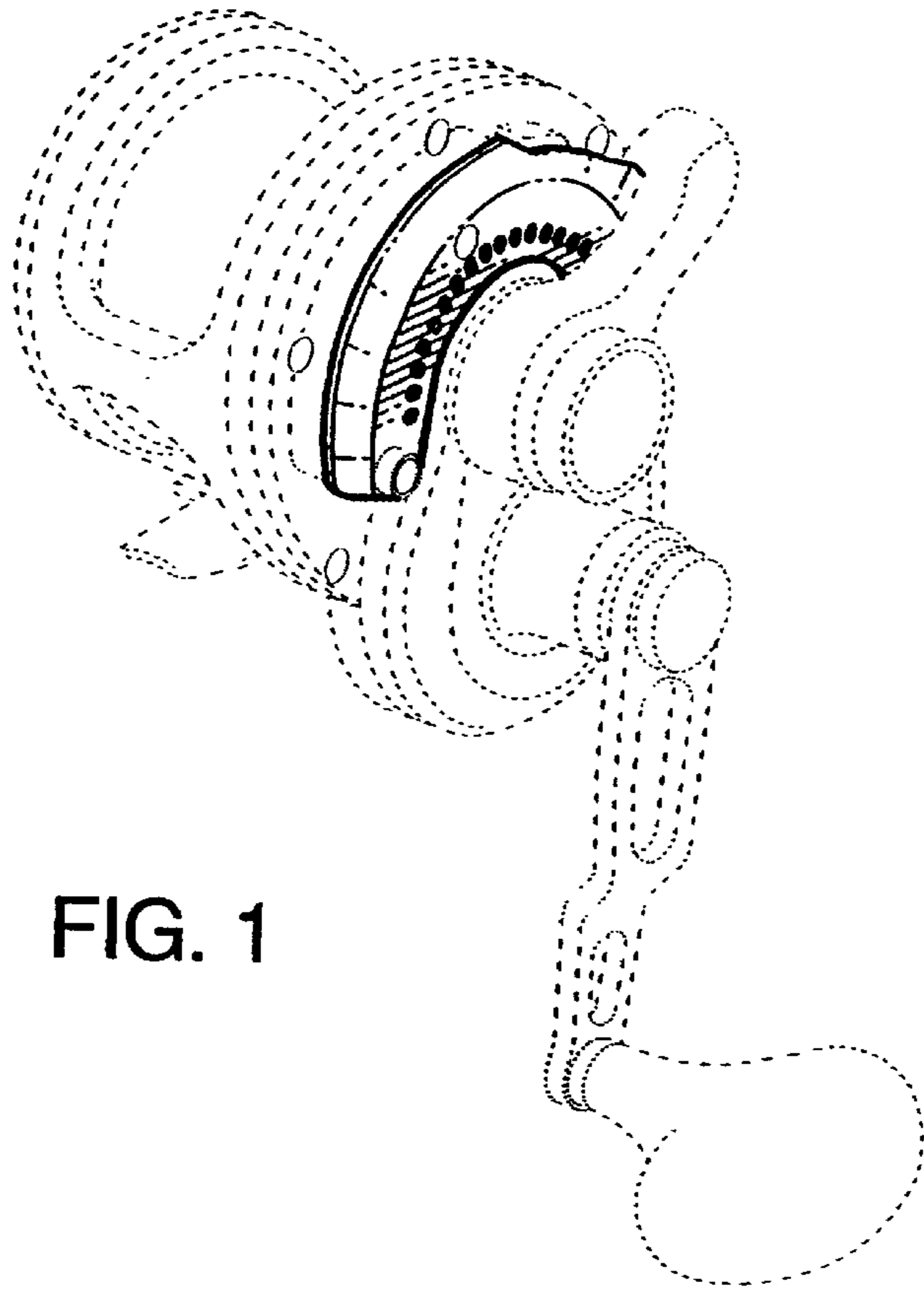


FIG. 1

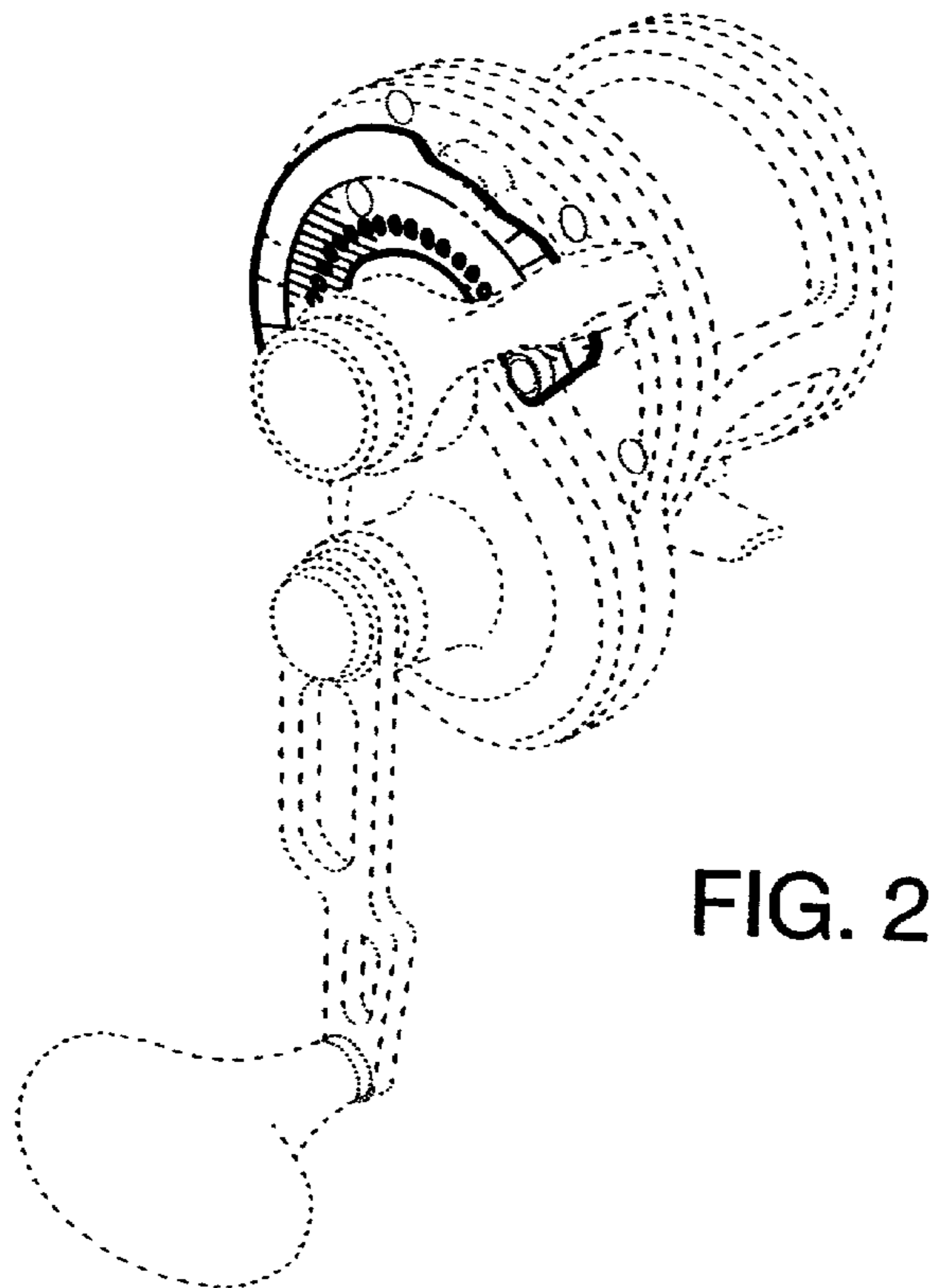


FIG. 2

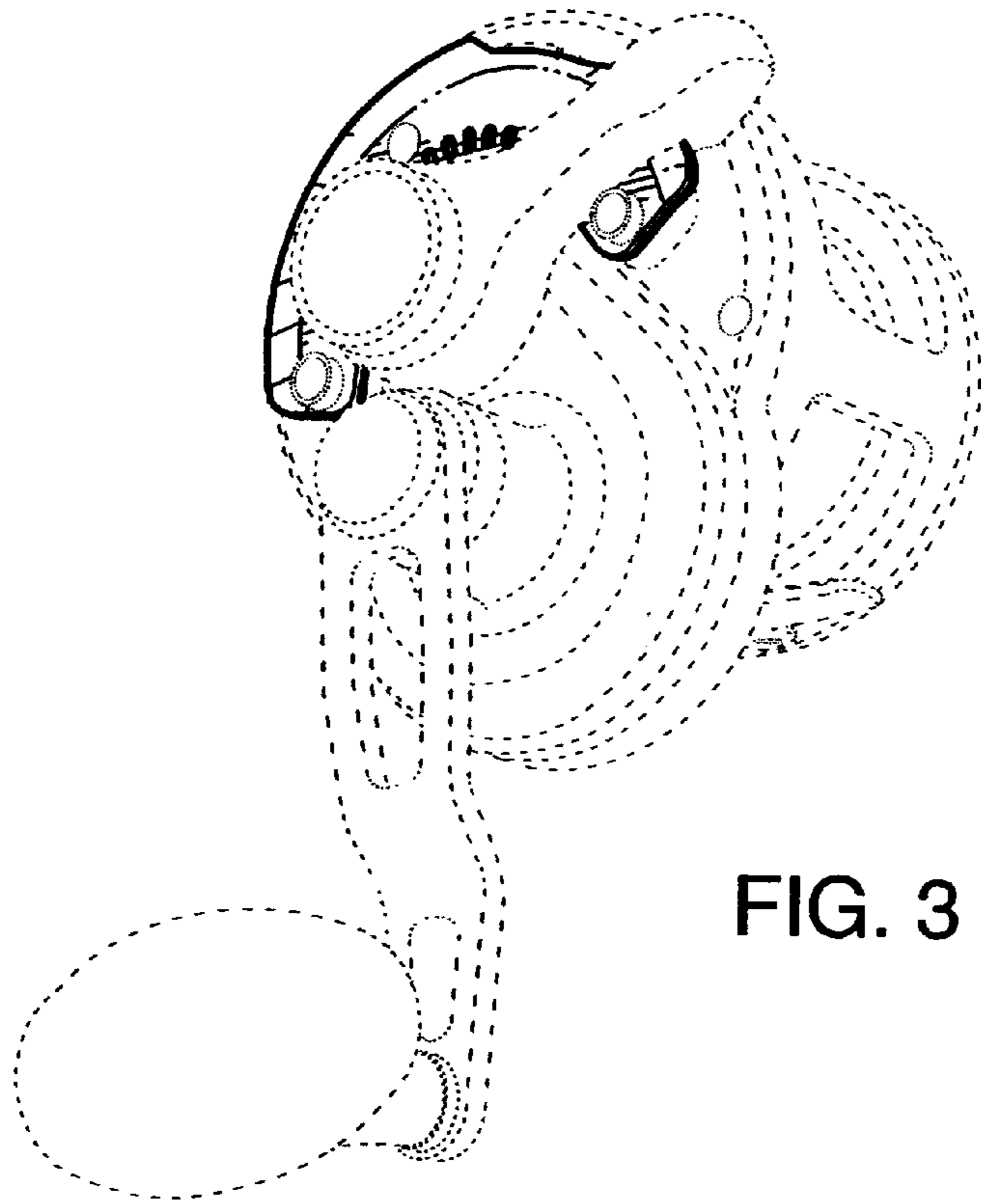


FIG. 3

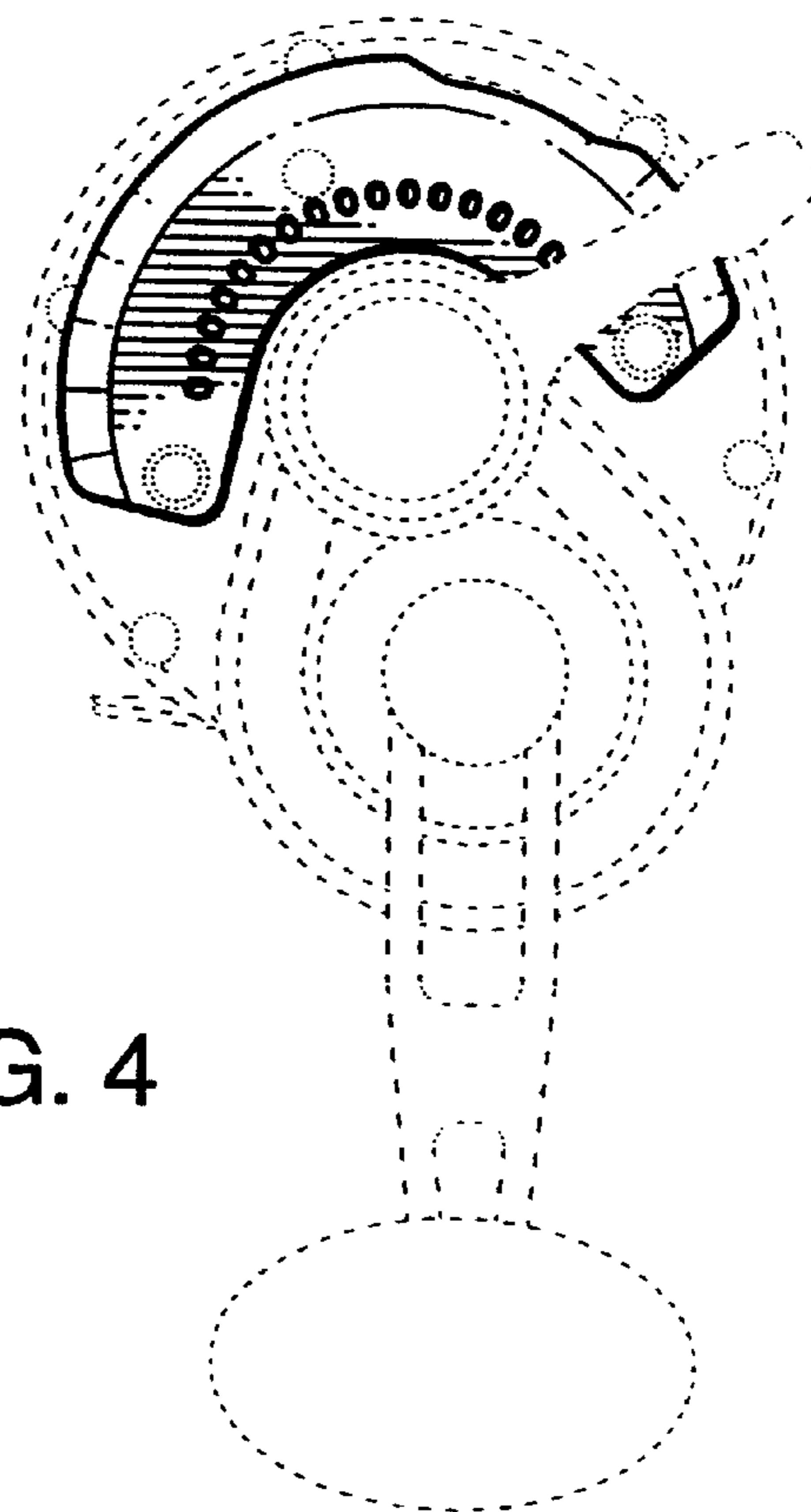


FIG. 4

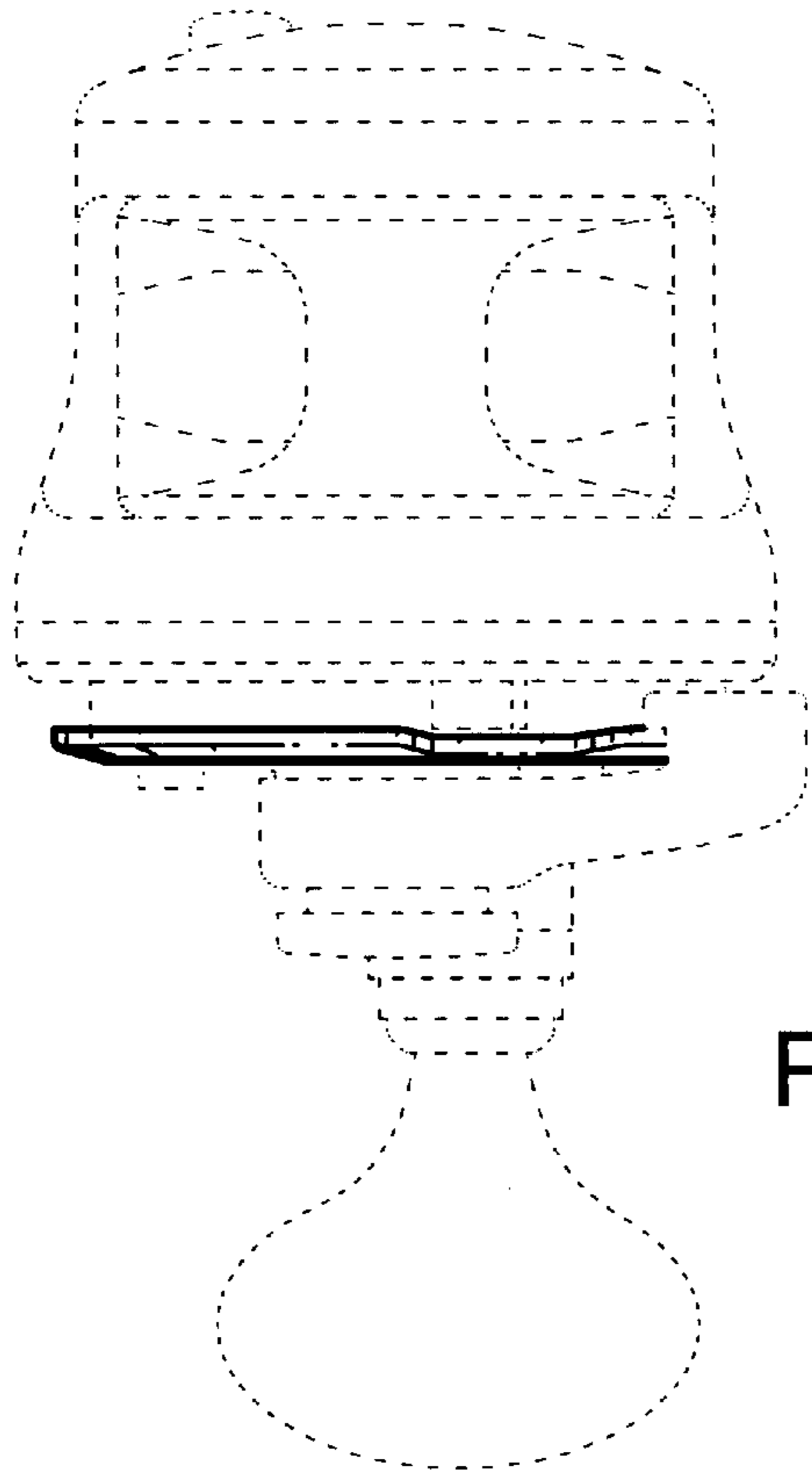


FIG. 5

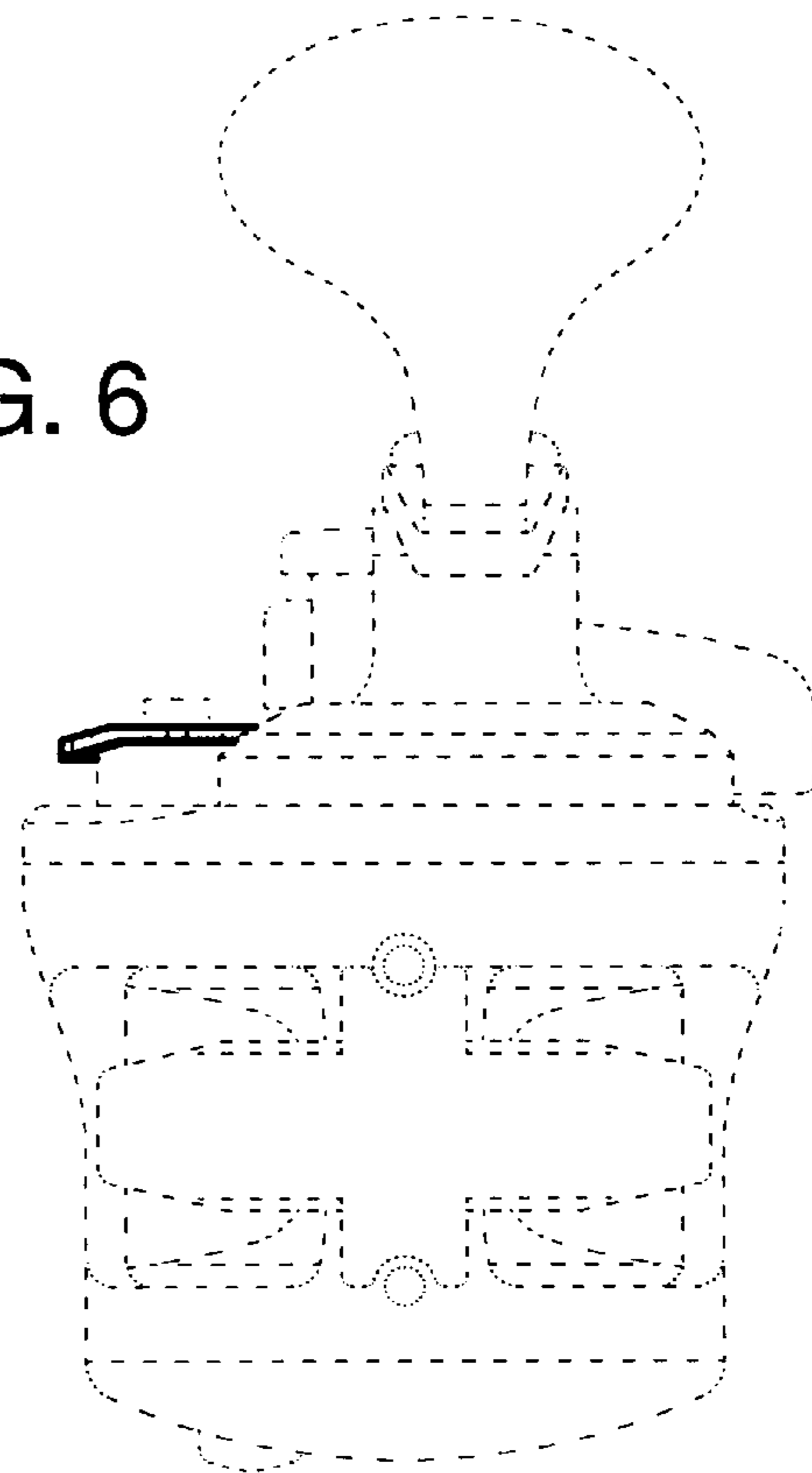


FIG. 6

FIG. 7

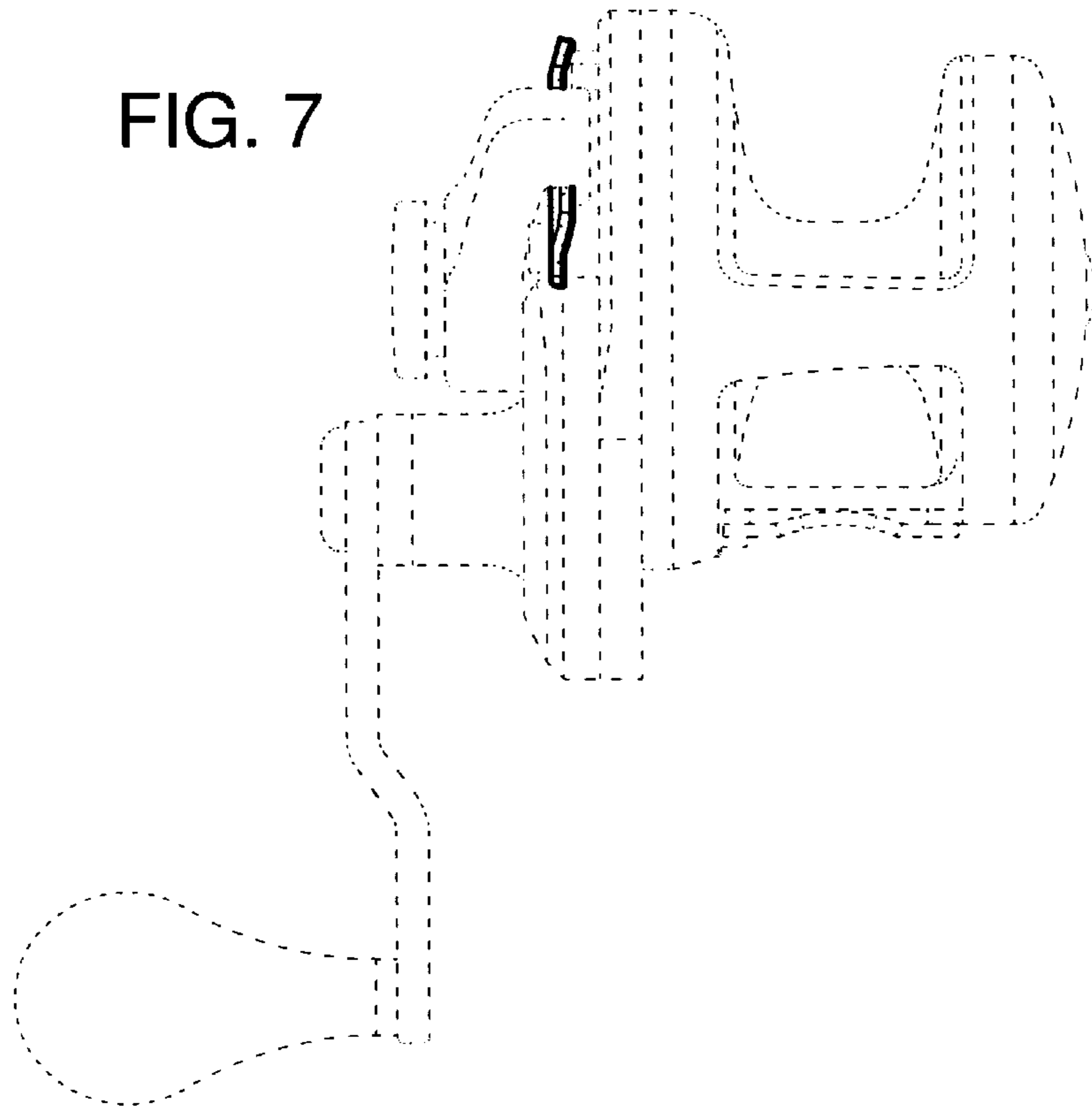


FIG. 8

