



US00D529982S

(12) **United States Design Patent**
Riley et al.

(10) **Patent No.:** **US D529,982 S**

(45) **Date of Patent:** **** Oct. 10, 2006**

(54) **LOCKABLE GROUND ANCHOR**

(75) Inventors: **John Riley**, 181 Cottontree Lane,
Colne, Lancashire (GB), BB8 7BN;
Frank Riley, Burnley (GB)

(73) Assignee: **John Riley**, Colne (GB)

(**) Term: **14 Years**

(21) Appl. No.: **29/194,958**

(22) Filed: **Dec. 4, 2003**

(30) **Foreign Application Priority Data**

Aug. 12, 2003 (GB) 3013214

(51) **LOC (8) Cl.** **21-04**

(52) **U.S. Cl.** **D21/840**

(58) **Field of Classification Search** D21/840;
D8/303; 52/155, 156, 157, 158, 159, 160
See application file for complete search history.

(56) **References Cited**

U.S. PATENT DOCUMENTS

213,932 A * 4/1879 Powell 52/155

1,808,633 A *	6/1931	Carver	52/158
2,712,864 A *	7/1955	Clevett, Jr.	52/163
5,243,795 A *	9/1993	Roberts	52/158
5,625,983 A *	5/1997	Lachance et al.	52/155
5,988,194 A *	11/1999	Collins	135/118
6,735,911 B1 *	5/2004	Alexander	52/155

* cited by examiner

Primary Examiner—Holly Baynham
Assistant Examiner—Cynthia M. Chin

(57) **CLAIM**

We claim the ornamental design for a lockable ground anchor, as shown and described.

DESCRIPTION

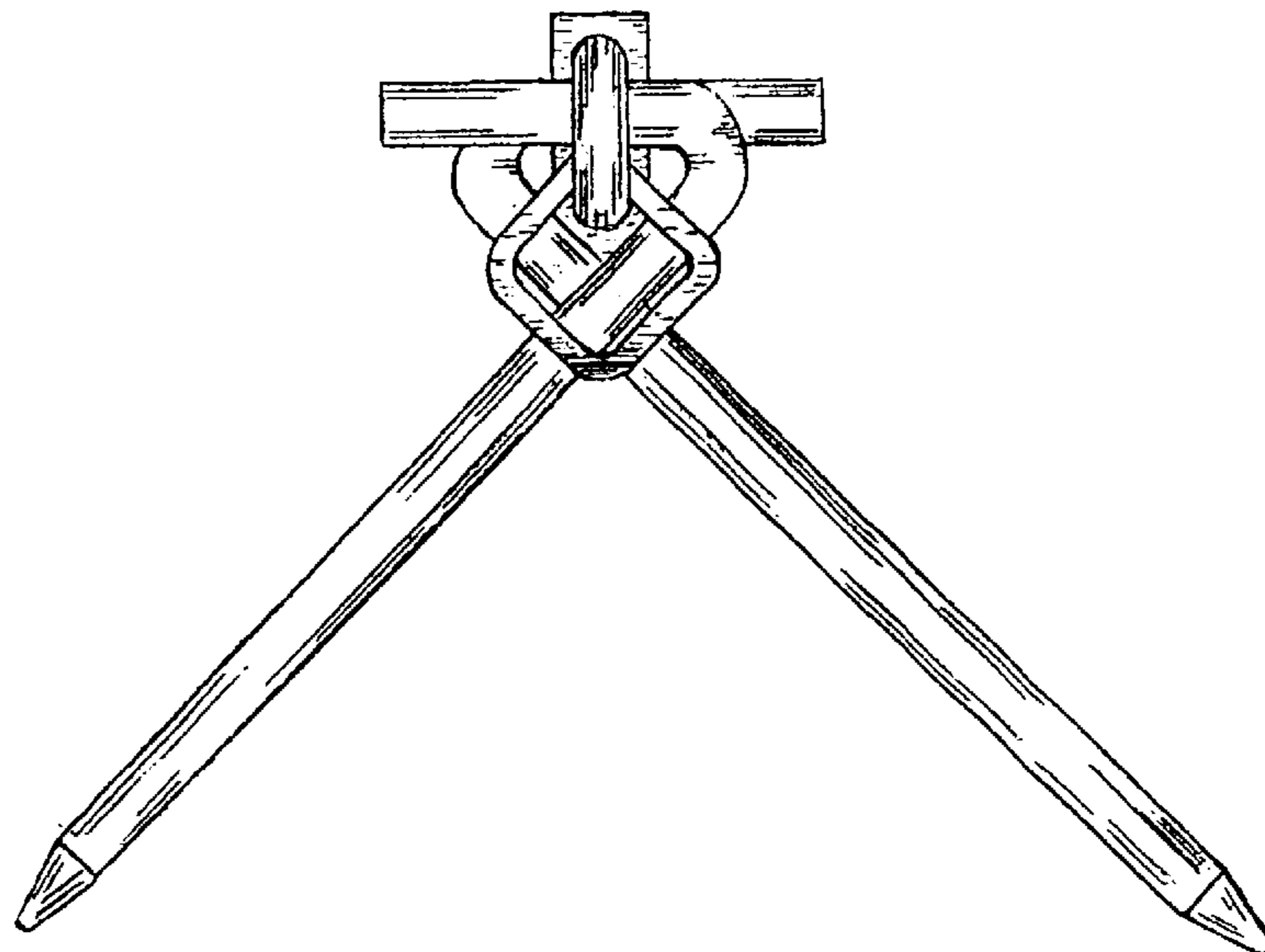
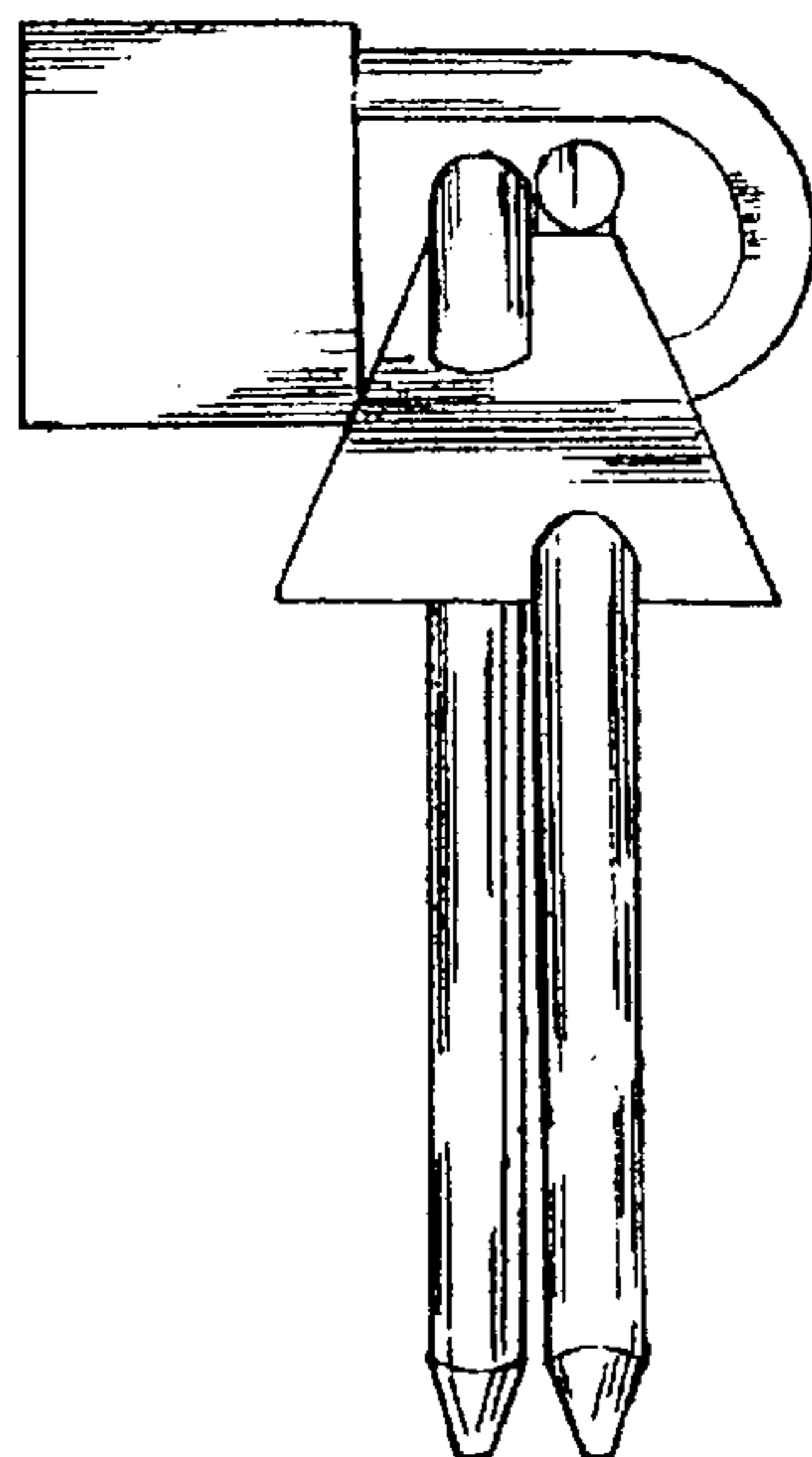
FIG. 1 is a side elevation view of a lockable ground anchor showing our new design, the opposite side being a mirror image thereof;

FIG. 2 is a front elevation view thereof;

FIG. 3 is a top plan view thereof; and,

FIG. 4 is a bottom plan view thereof.

1 Claim, 1 Drawing Sheet



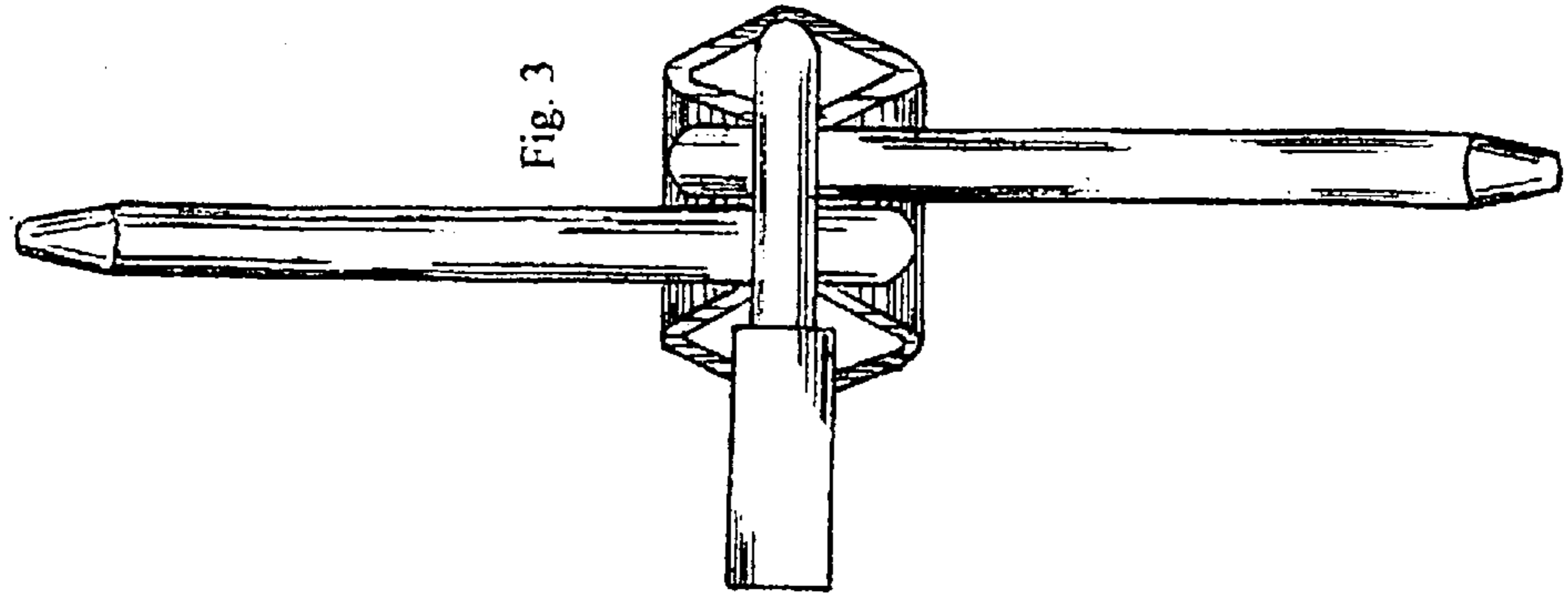


Fig. 3

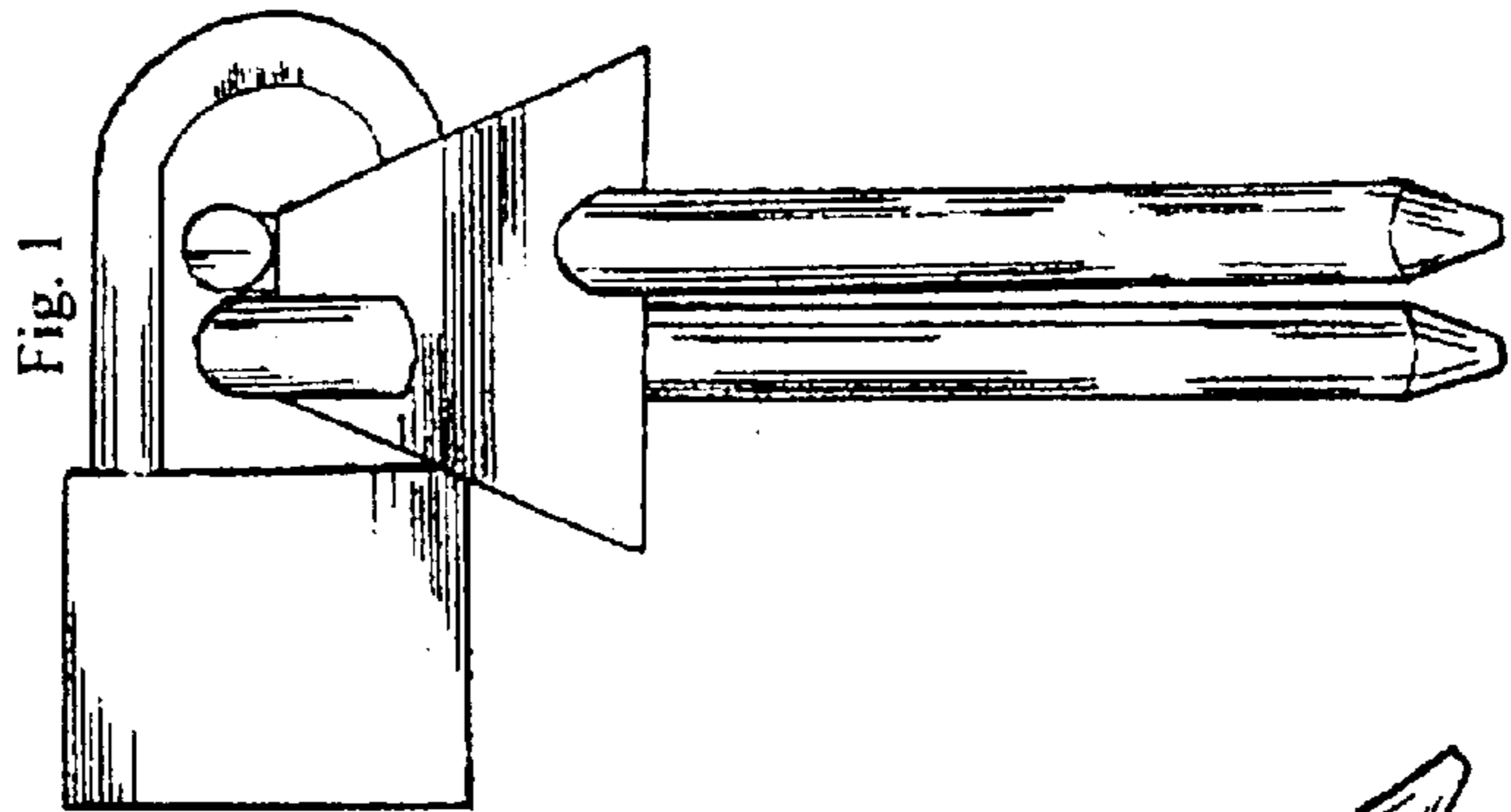


Fig. 1

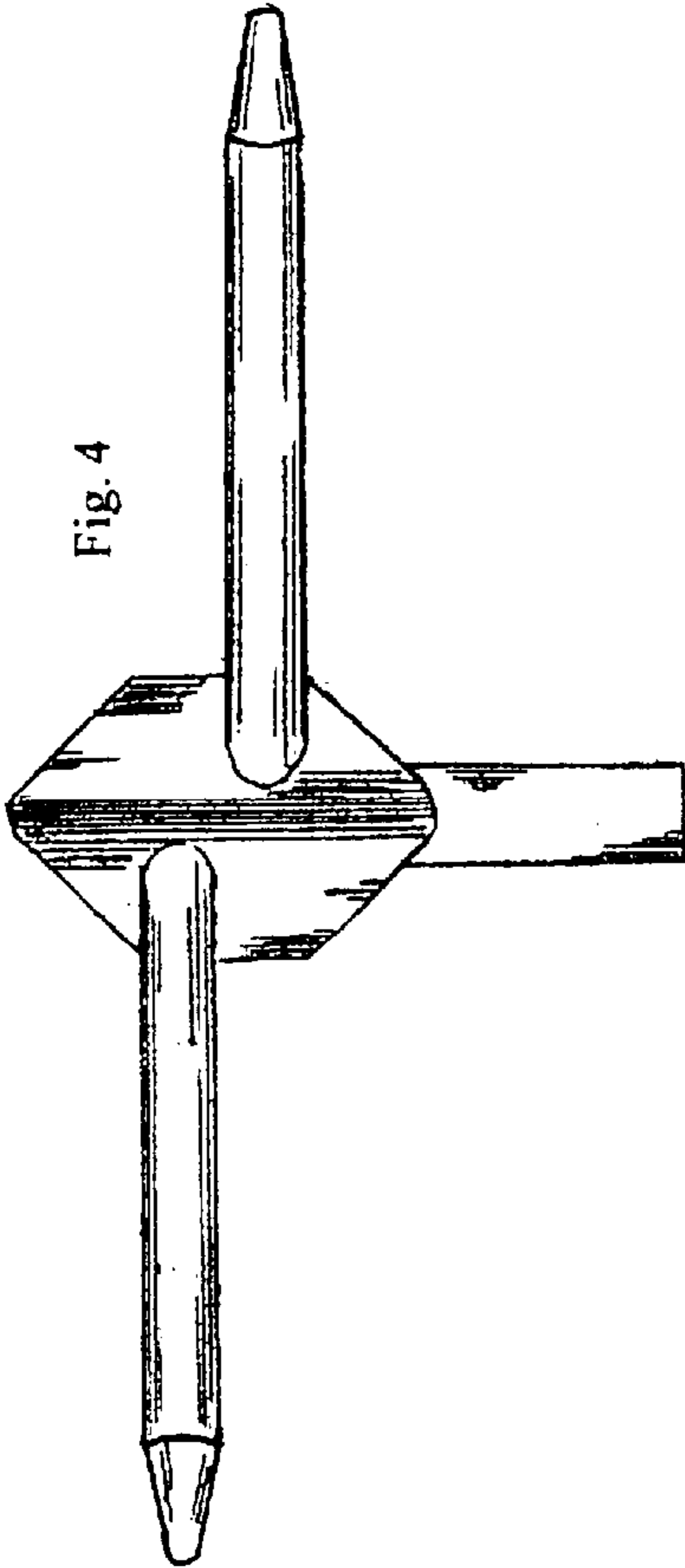


Fig. 4

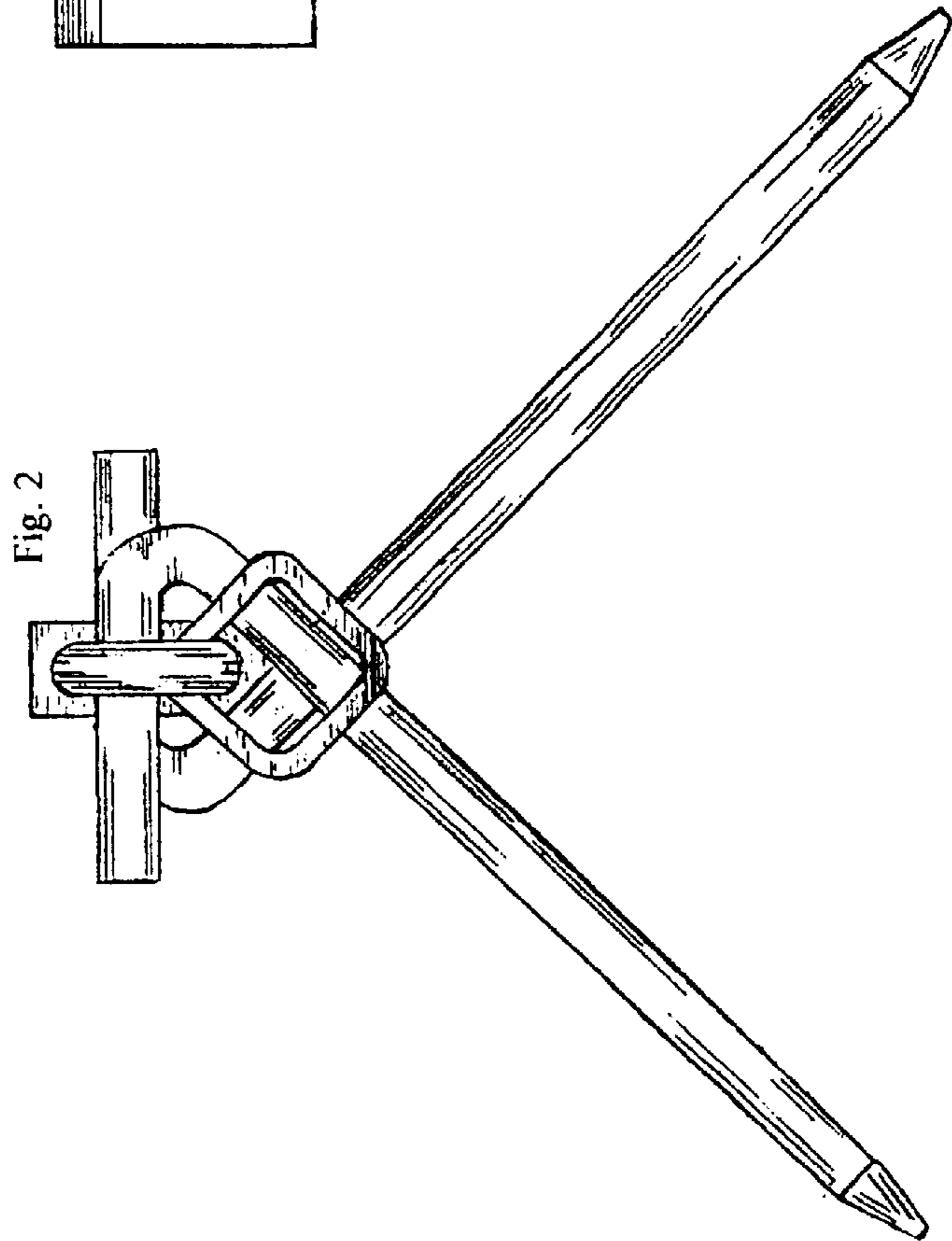


Fig. 2