



US00D529981S

(12) **United States Design Patent**  
**Tseng**

(10) **Patent No.:** **US D529,981 S**

(45) **Date of Patent:** **\*\* Oct. 10, 2006**

(54) **SWING**

(75) **Inventor:** **Chuen-Jong Tseng**, Chiayi Hsien (TW)

(73) **Assignee:** **Taiwan Shin Yeh Enterprises Co., Ltd.**, Chiayi Hsien (TW)

(\*\*) **Term:** **14 Years**

(21) **Appl. No.:** **29/224,688**

(22) **Filed:** **Mar. 4, 2005**

(51) **LOC (8) Cl.** ..... **21-03**

(52) **U.S. Cl.** ..... **D21/823**; D6/347

(58) **Field of Classification Search** ..... D21/811,  
D21/814, 818-828; D6/344-347; 472/118-125;  
297/273-278; 272/85, 92; 482/35, 36  
See application file for complete search history.

(56) **References Cited**

**U.S. PATENT DOCUMENTS**

D135,694 S \* 5/1943 Smith ..... D6/347  
3,130,969 A \* 4/1964 Groth ..... 472/125

D254,458 S \* 3/1980 Wakefield ..... D6/347  
D260,110 S \* 8/1981 Gomes ..... D6/347  
D355,013 S \* 1/1995 Schechner ..... D6/347  
D503,290 S \* 3/2005 Tseng ..... D6/347

\* cited by examiner

*Primary Examiner*—Mitchell Siegel

(74) *Attorney, Agent, or Firm*—Ladas & Parry LLP

(57) **CLAIM**

The ornamental design for swing, as shown and described.

**DESCRIPTION**

FIG. 1 is a perspective view of the swing showing my new design;

FIG. 2 is a front elevational view thereof;

FIG. 3 is a rear elevational view thereof;

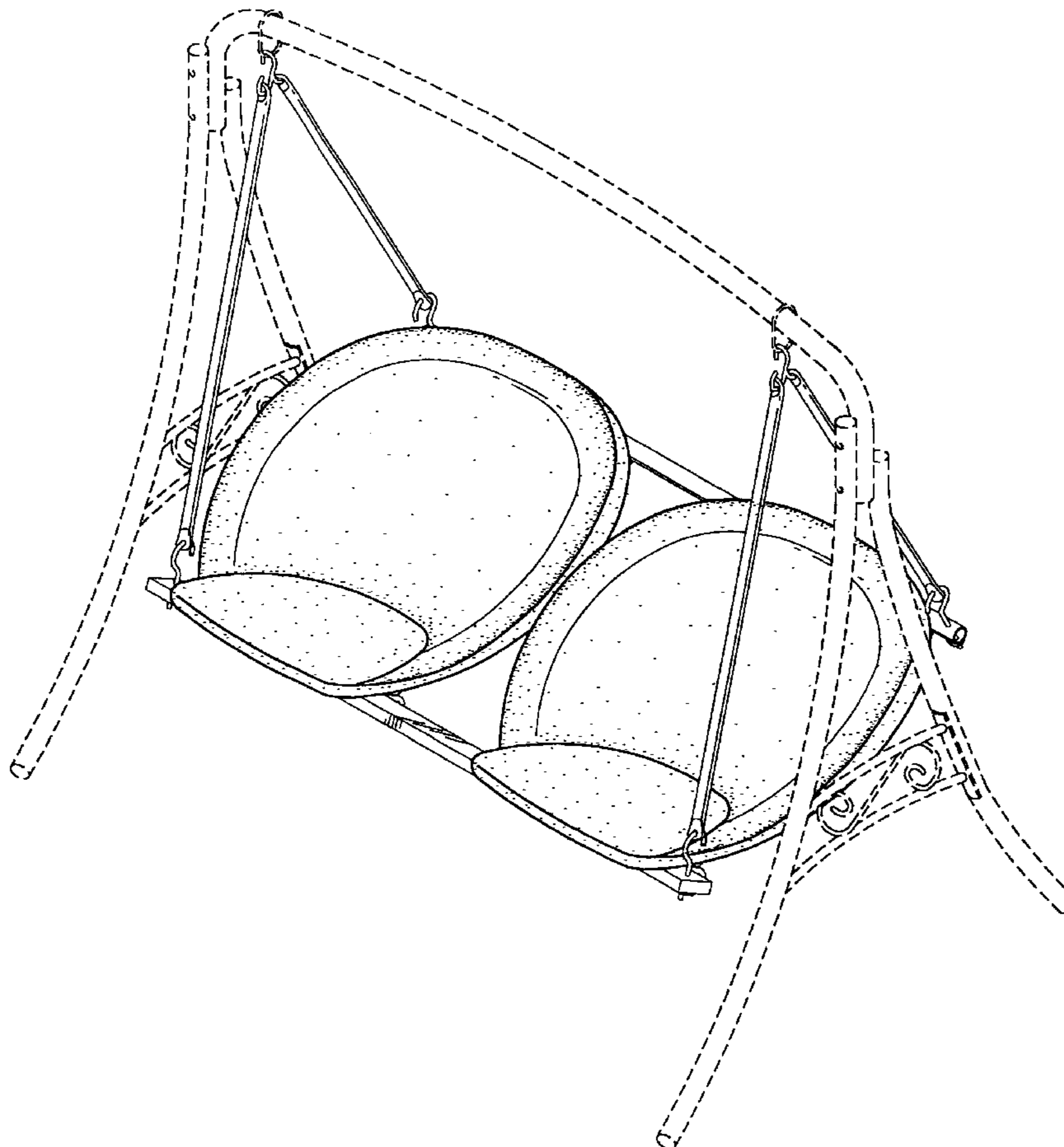
FIG. 4 is a left side elevational view thereof;

FIG. 5 is a right side elevational view thereof;

FIG. 6 is a top plan view thereof; and,

FIG. 7 is a bottom plan view thereof.

**1 Claim, 6 Drawing Sheets**



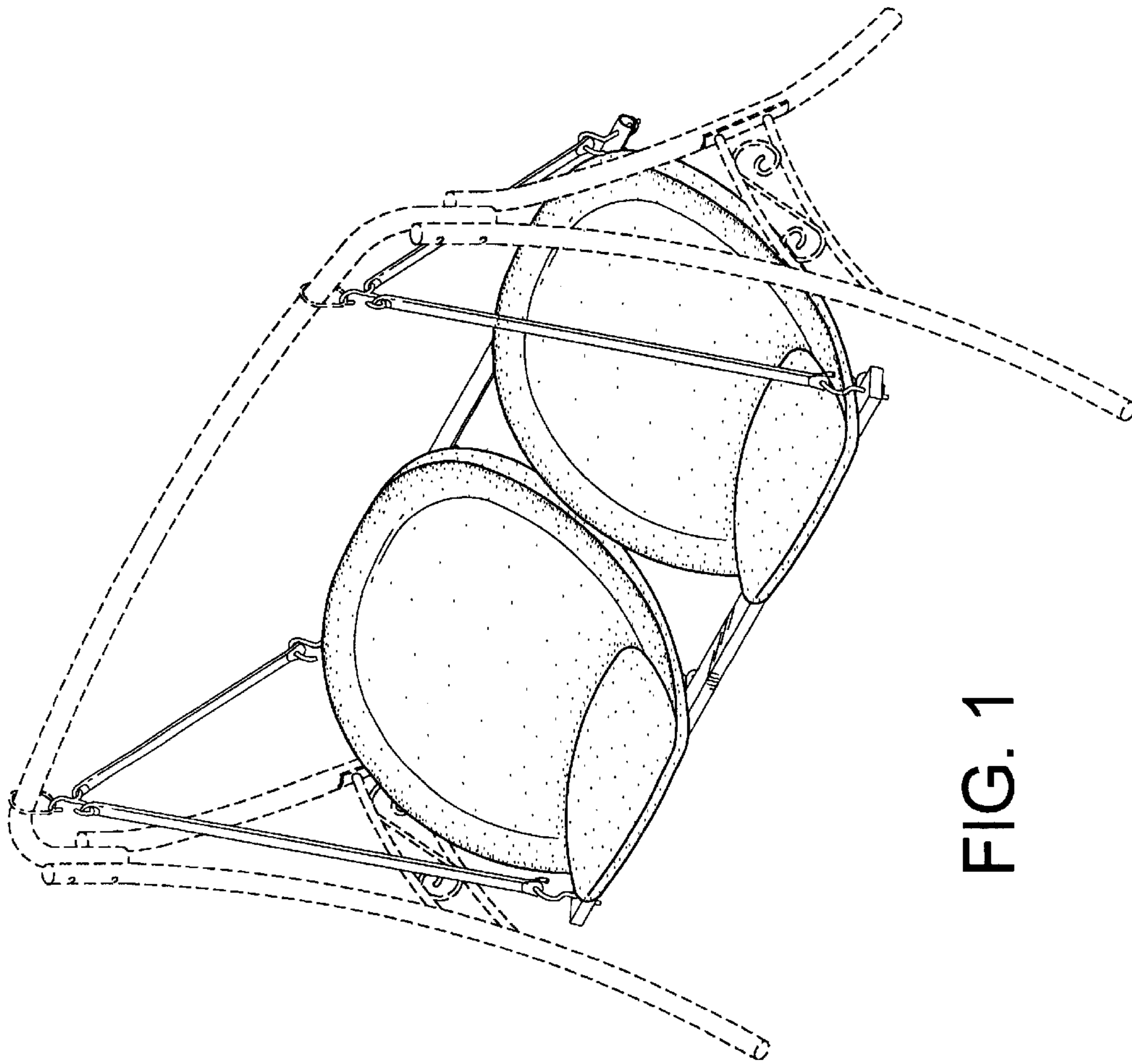


FIG. 1

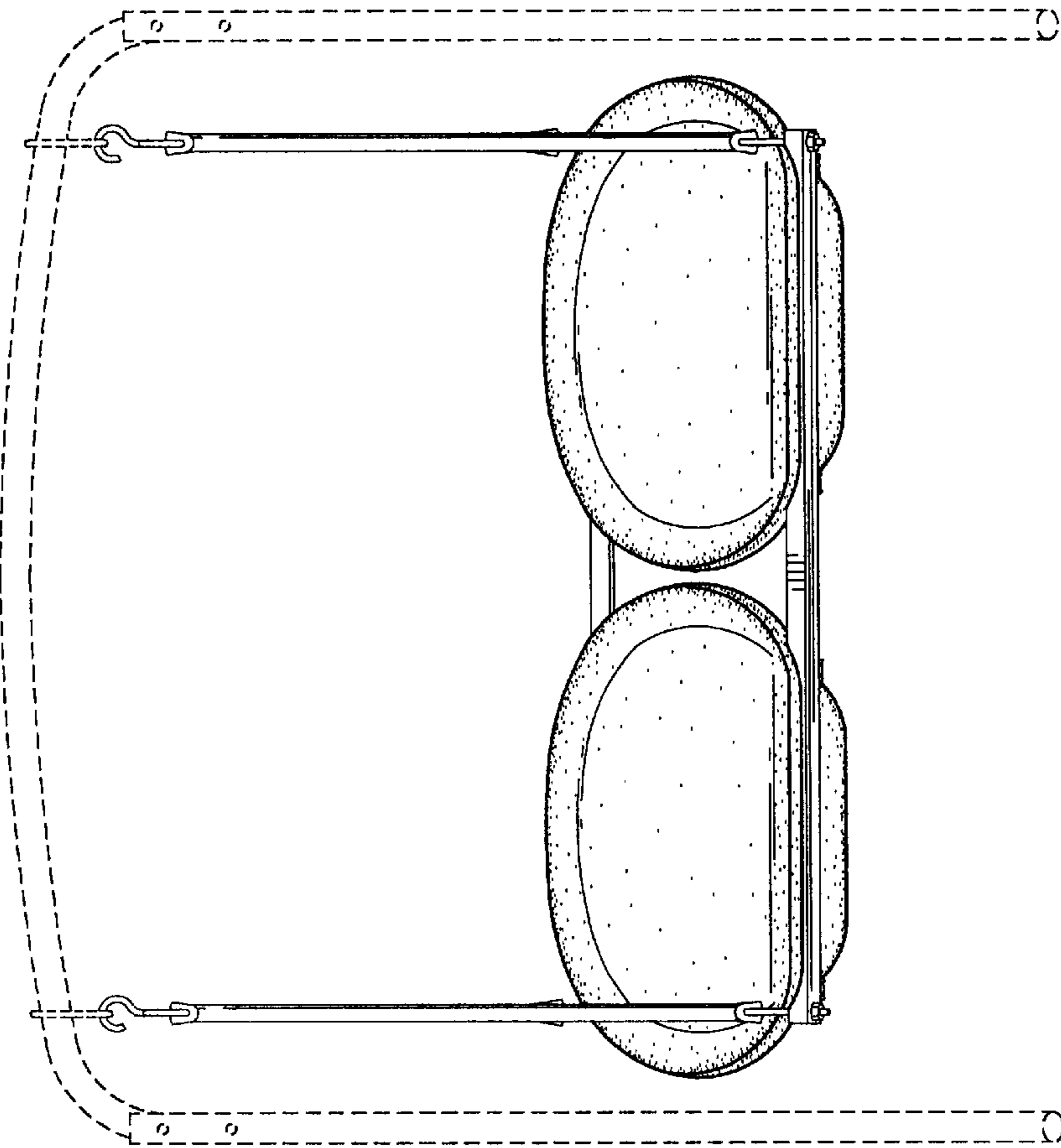


FIG. 2

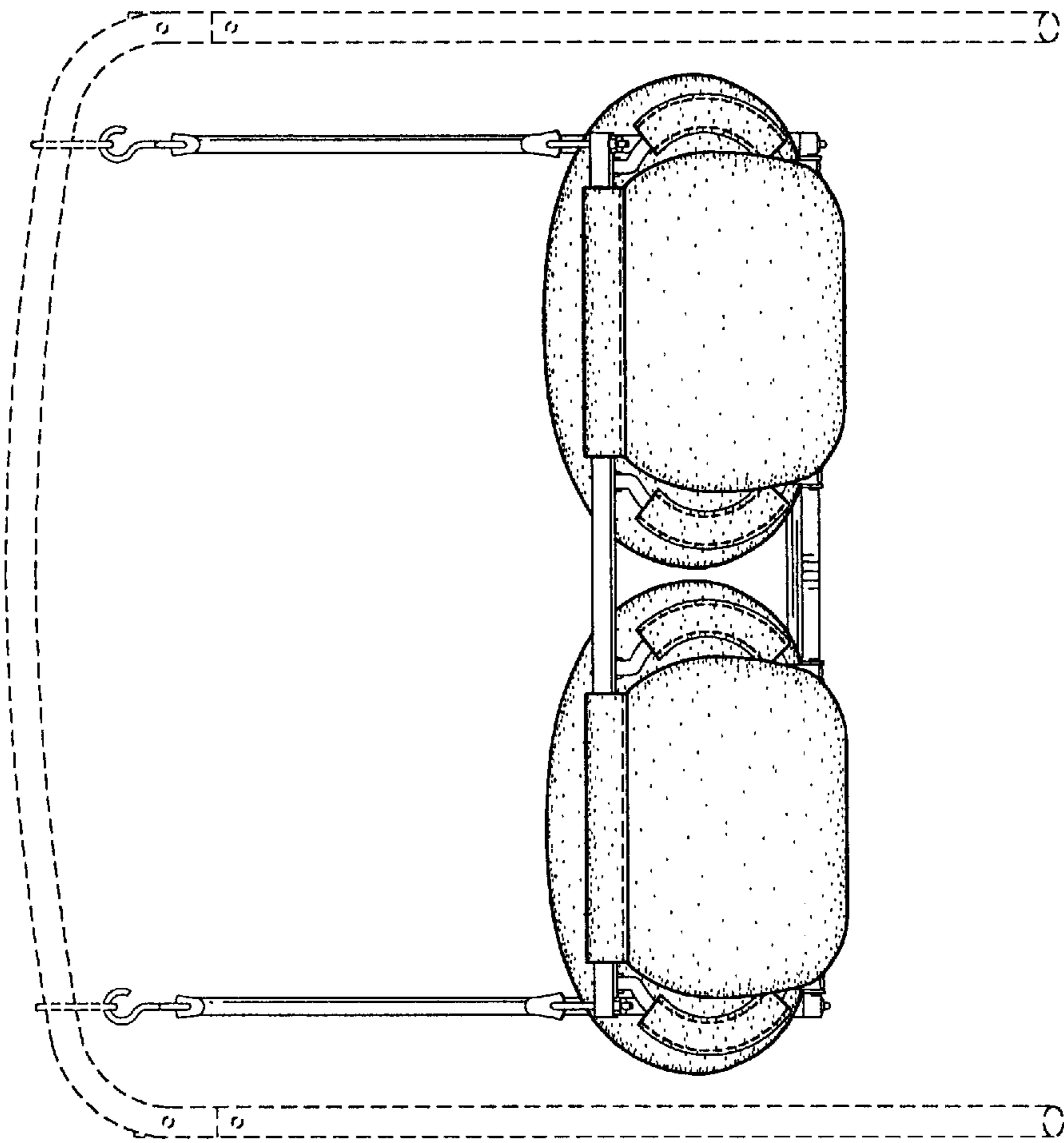


FIG. 3

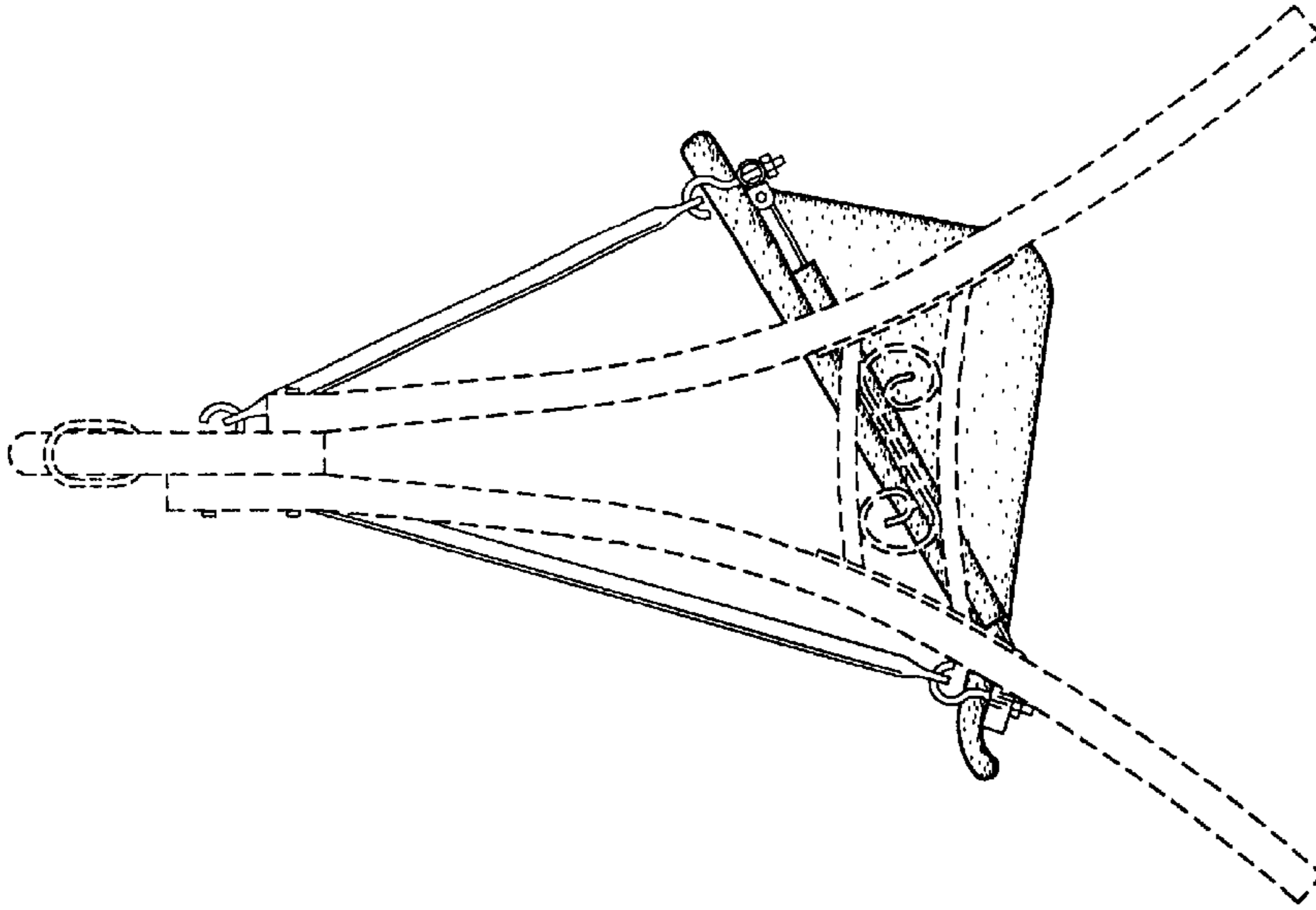


FIG. 5

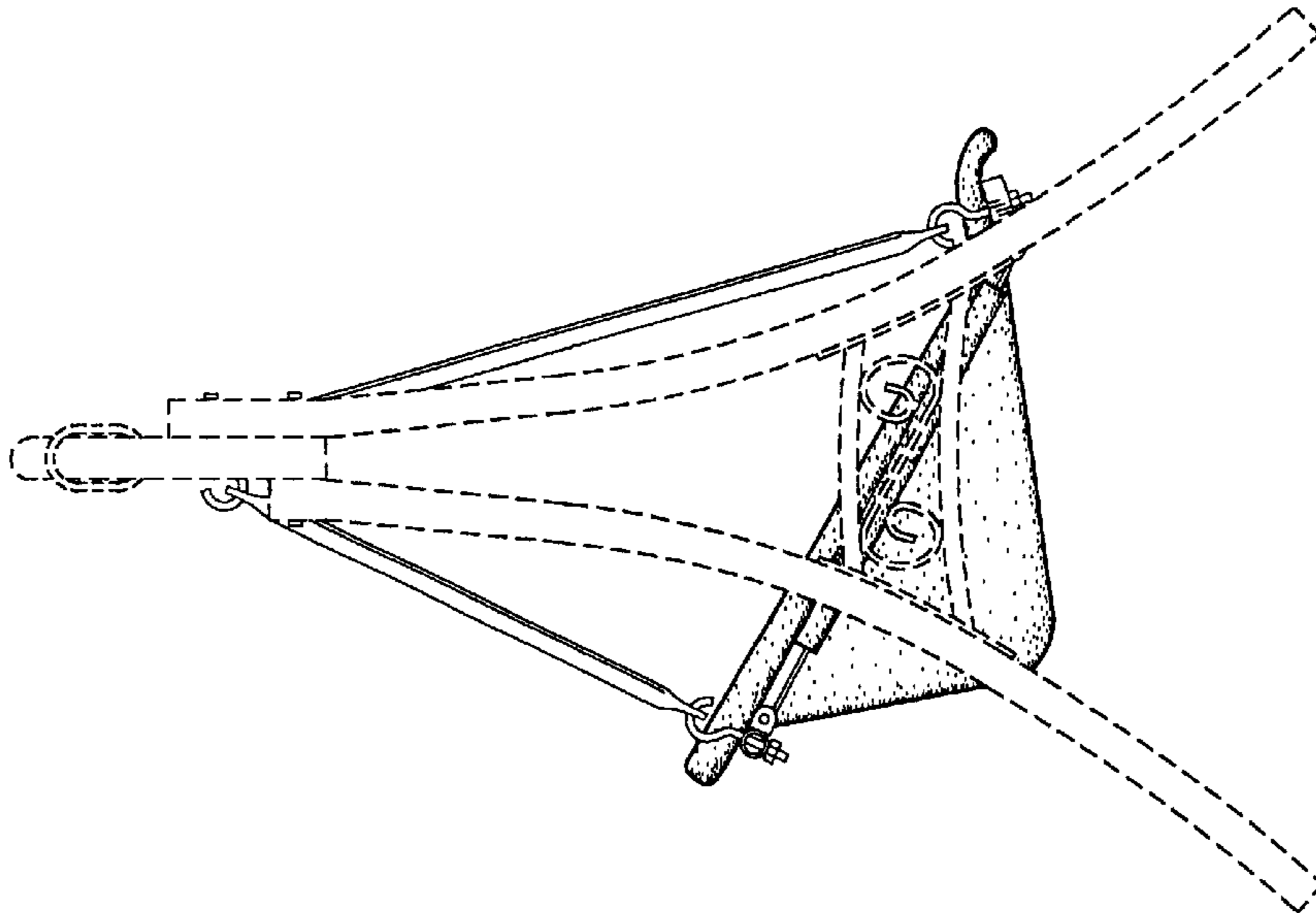


FIG. 4

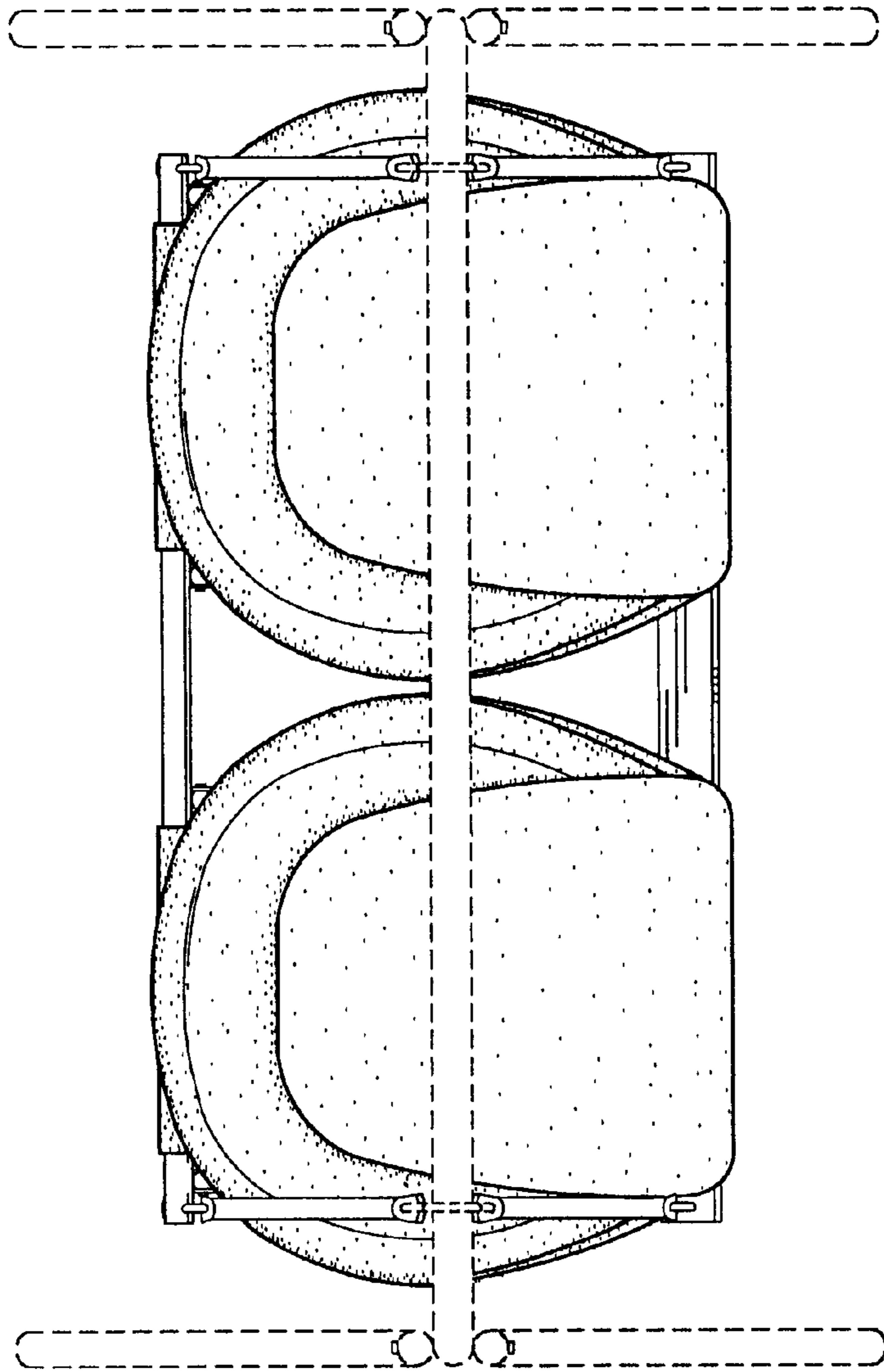


FIG. 6

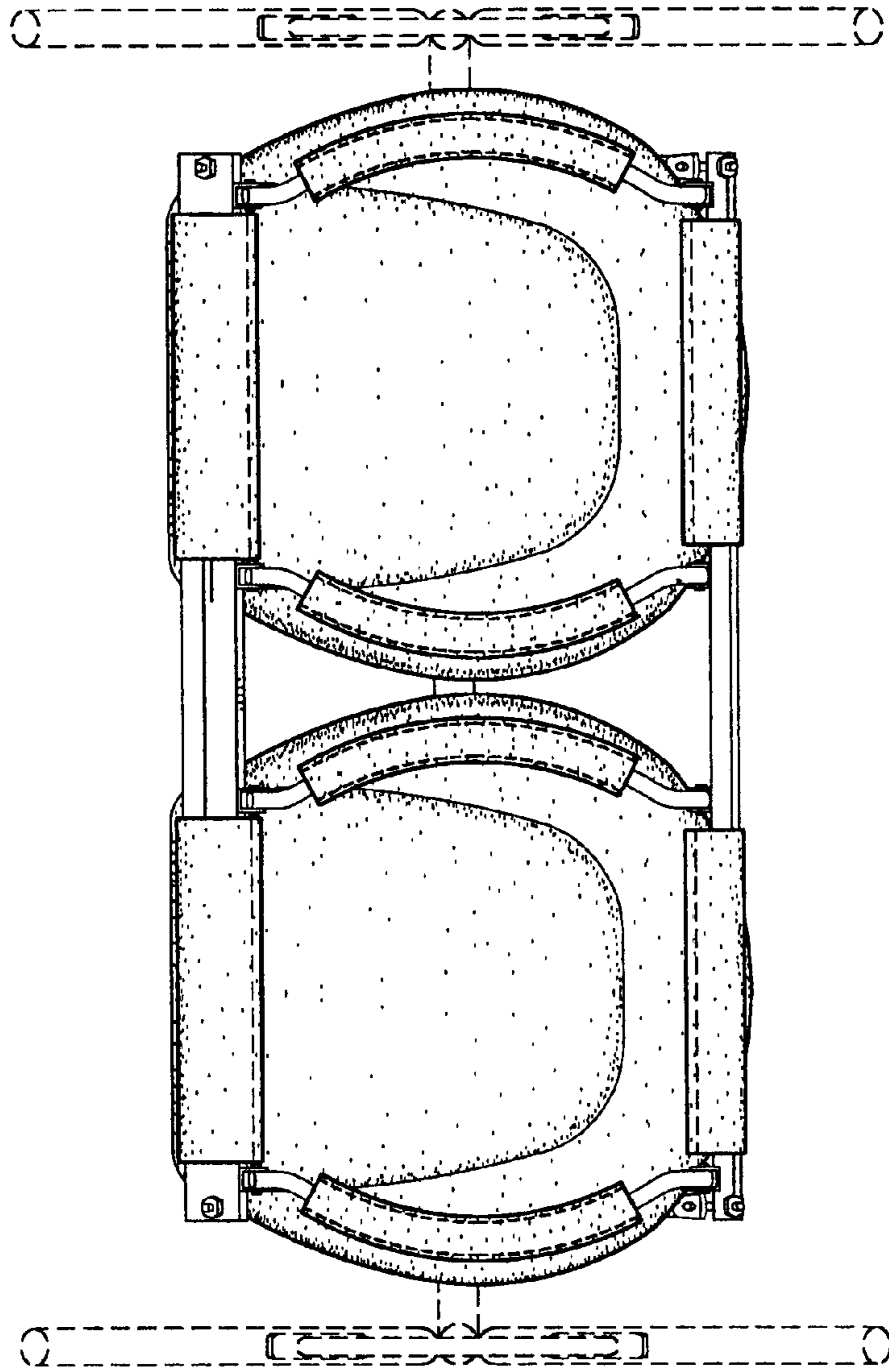


FIG. 7