

US00D529978S

(12) **United States Design Patent**
Peterson

(10) **Patent No.:** **US D529,978 S**

(45) **Date of Patent:** **** *Oct. 10, 2006**

- (54) **INFLATABLE CANOPY LOUNGE**
- (75) Inventor: **Leroy L. Peterson**, Omaha, NE (US)
- (73) Assignee: **Sportsstuff, Inc.**, Omaha, NE (US)
- (*) Notice: This patent is subject to a terminal disclaimer.
- (**) Term: **14 Years**
- (21) Appl. No.: **29/227,823**
- (22) Filed: **Apr. 15, 2005**
- (51) **LOC (8) Cl.** **21-02**
- (52) **U.S. Cl.** **D21/809; D21/803**
- (58) **Field of Classification Search** D21/769-770,
D21/801, 803, 809; D6/392, 596, 601, 604;
472/128-129; D12/5, 6, 316; 114/253, 345-346;
441/35, 66, 40-42, 129-132
See application file for complete search history.

5,766,052 A *	6/1998	Metro et al.	441/130
5,769,022 A *	6/1998	Luxford	114/361
D428,090 S *	7/2000	Peterson	D21/803
D435,824 S *	1/2001	Peterson	D12/316
D435,826 S *	1/2001	Peterson	D12/316
D492,380 S *	6/2004	Zheng	D21/809

FOREIGN PATENT DOCUMENTS

DE 3106689 A1 * 9/1982

OTHER PUBLICATIONS

The Sharper Image, Jun. 1997, p. 13. 'Azure Cabana Float' located on the lower right area of the page.*

* cited by examiner

Primary Examiner—Caron D. Veynar
Assistant Examiner—Zenia I Bennett
(74) *Attorney, Agent, or Firm*—Sturm & Fix LLP

(57) **CLAIM**

The ornamental design for an inflatable canopy lounge, as shown and described.

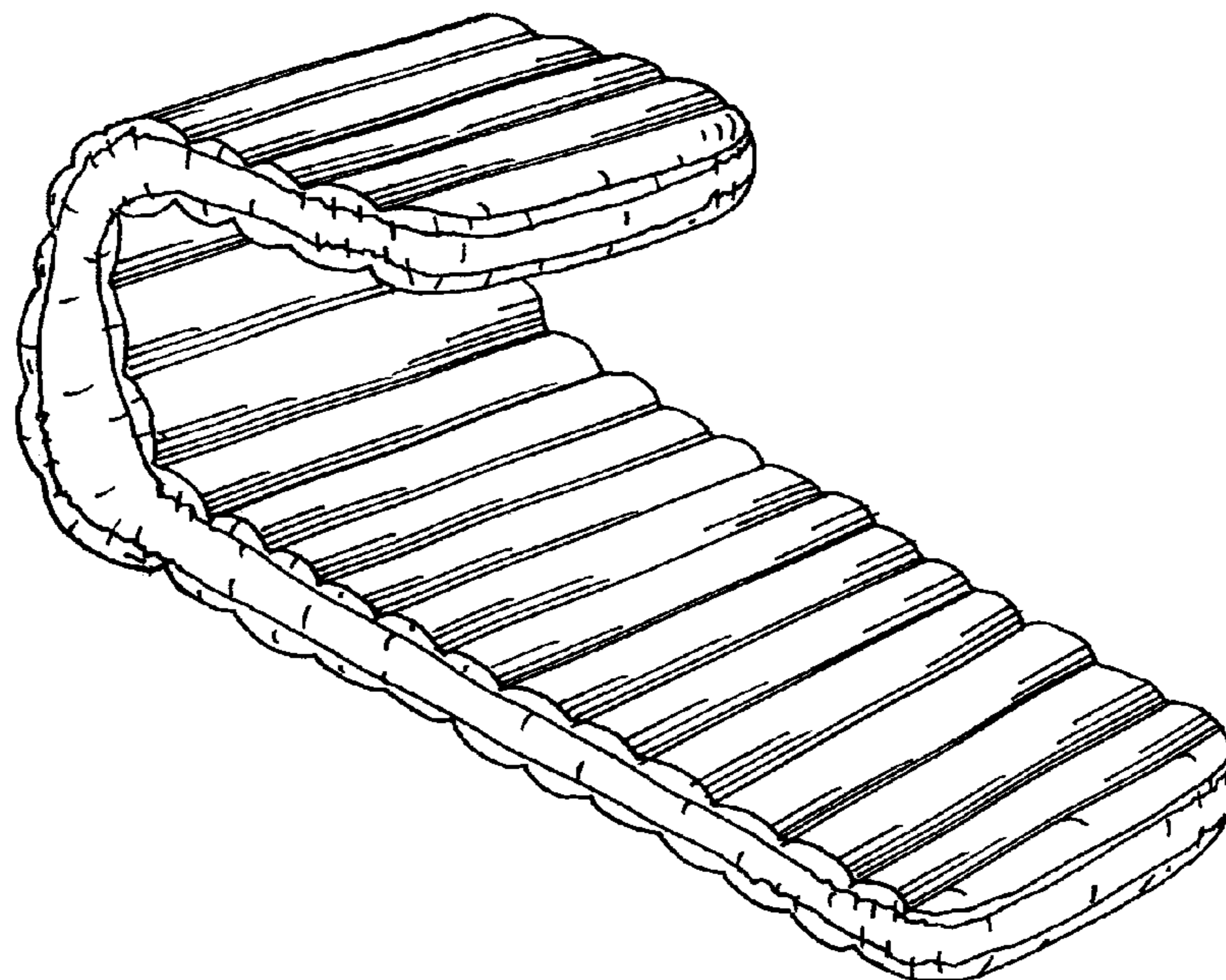
DESCRIPTION

FIG. 1 is a perspective view of the inflatable canopy lounge showing my new design;
FIG. 2 is a left side elevational view thereof, the right side elevational view being a mirror image of FIG. 2;
FIG. 3 is a top plan view thereof;
FIG. 4 is a front elevational view thereof;
FIG. 5 is a rear elevational view thereof; and,
FIG. 6 is a bottom plan view thereof.

1 Claim, 2 Drawing Sheets

(56) **References Cited**
U.S. PATENT DOCUMENTS

2,036,548 A *	4/1936	Silvernail	441/66
3,030,640 A *	4/1962	Gosman	441/40
D206,335 S *	11/1966	Solipasso	D12/11
D220,953 S *	6/1971	Des Pres	D6/361
D315,187 S *	3/1991	Thomas	D21/809
D351,009 S *	9/1994	Wolfe	D21/809
D353,967 S *	1/1995	Moore	D6/604
5,458,517 A *	10/1995	Ellis	441/129
D366,084 S *	1/1996	Wolfe	D21/809
D375,989 S *	11/1996	Jacobs	D21/809
D393,683 S *	4/1998	Song et al.	D21/803



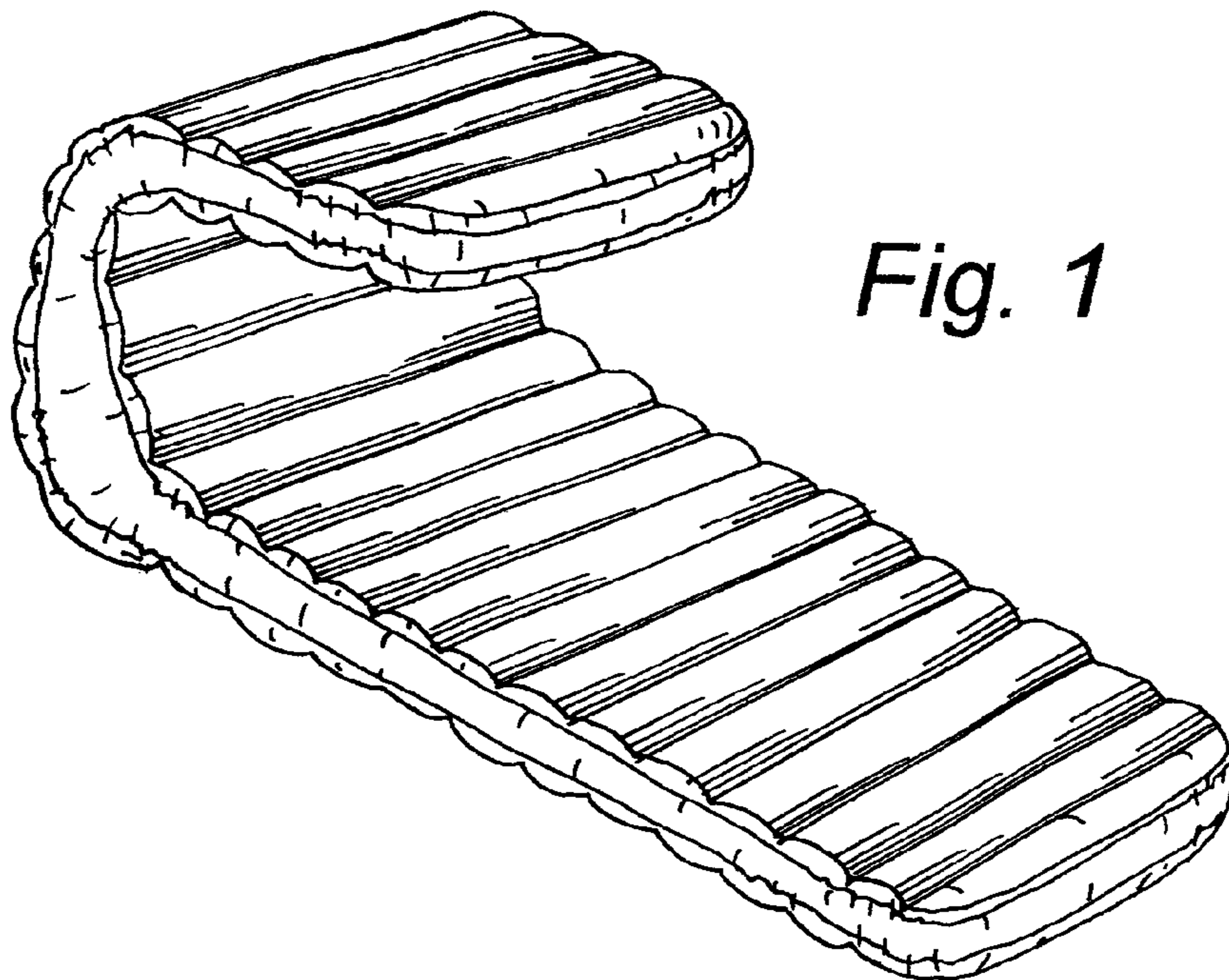


Fig. 1

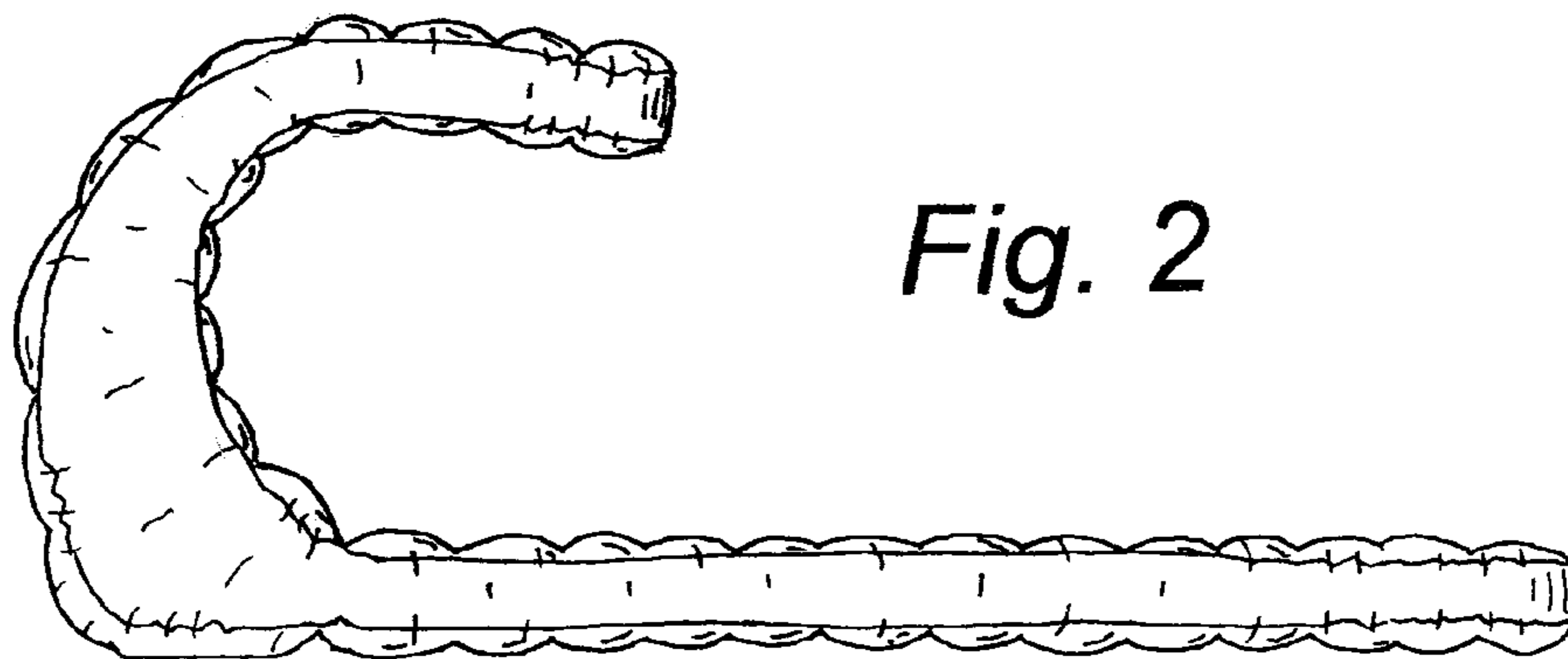


Fig. 2



Fig. 3

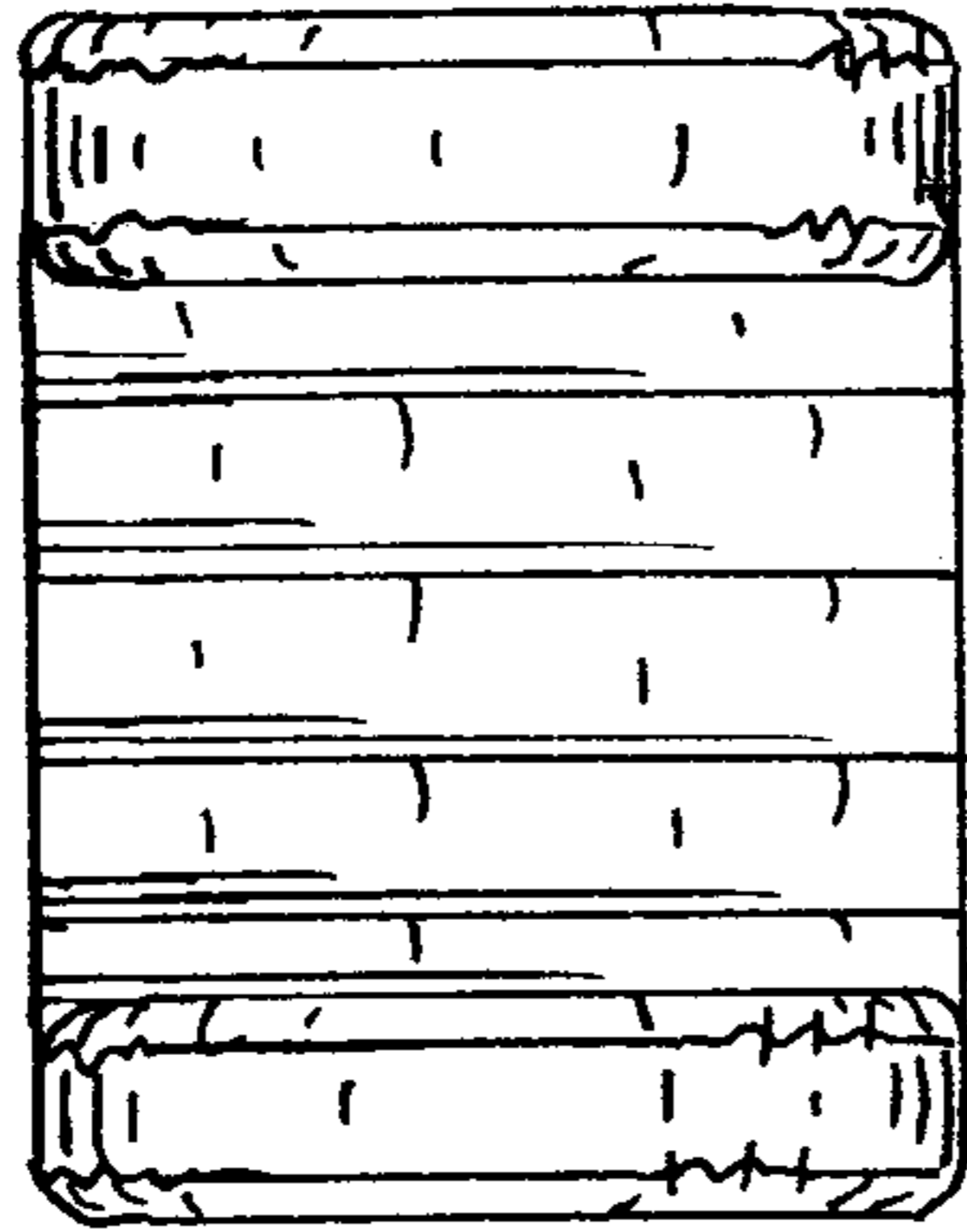


Fig. 4

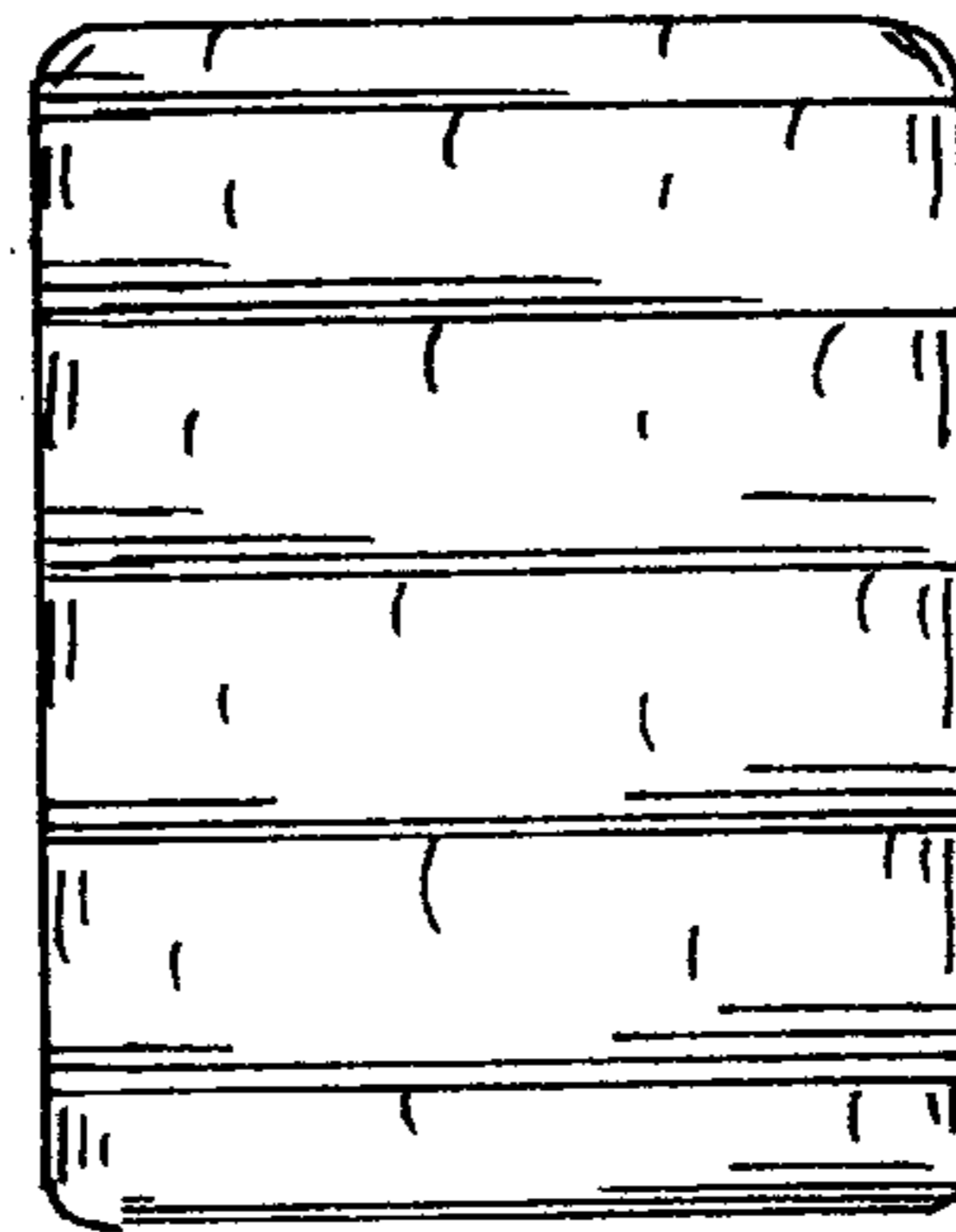


Fig. 5

Fig. 6

