



US00D529972S

(12) **United States Design Patent**  
**Hamm**

(10) **Patent No.:** **US D529,972 S**  
(45) **Date of Patent:** **\*\* Oct. 10, 2006**

(54) **GOLF CLUB SHAFT**

(76) Inventor: **Jack L. Hamm**, 12625 E. Euclid Dr.,  
Centennial, CO (US) 80111

(\*\*) Term: **14 Years**

(21) Appl. No.: **29/239,848**

(22) Filed: **Oct. 5, 2005**

(51) **LOC (8) Cl.** ..... **21-02**

(52) **U.S. Cl.** ..... **D21/757**

(58) **Field of Classification Search** ..... D21/756,  
D21/757; 473/316-323

See application file for complete search history.

(56) **References Cited**

**U.S. PATENT DOCUMENTS**

2,040,540	A	*	5/1936	Young	.....	473/316
2,086,275	A	*	7/1937	Lemmon	.....	473/323
D385,608	S	*	10/1997	Hoffmeyer	.....	D21/757
D411,273	S	*	6/1999	Pedersen et al.	.....	D21/757

\* cited by examiner

*Primary Examiner*—Mitchell Siegel

(74) *Attorney, Agent, or Firm*—Kyle W. Rost

(57) **CLAIM**

The ornamental design for a golf club shaft, as shown and described.

**DESCRIPTION**

FIG. 1 is a right side elevational view of a golf club shaft showing my new design.

FIG. 2 is an enlarged peripheral cross-section view taken at the plane of line 2—2 of FIG. 1.

FIG. 3 is an enlarged peripheral cross-section view taken at the plane of line 3—3 of FIG. 1.

FIG. 4 is an enlarged peripheral cross-section view taken at the plane of line 4—4 of FIG. 1.

FIG. 5 is an enlarged peripheral cross-section view taken at the plane of line 5—5 of FIG. 1.

FIG. 6 is a left side elevational view thereof.

FIG. 7 is an enlarged peripheral cross-section view taken at the plane of line 7—7 of FIG. 6.

FIG. 8 is an enlarged peripheral cross-section view taken at the plane of line 8—8 of FIG. 6.

FIG. 9 is an enlarged peripheral cross-section view taken at the plane of line 9—9 of FIG. 6.

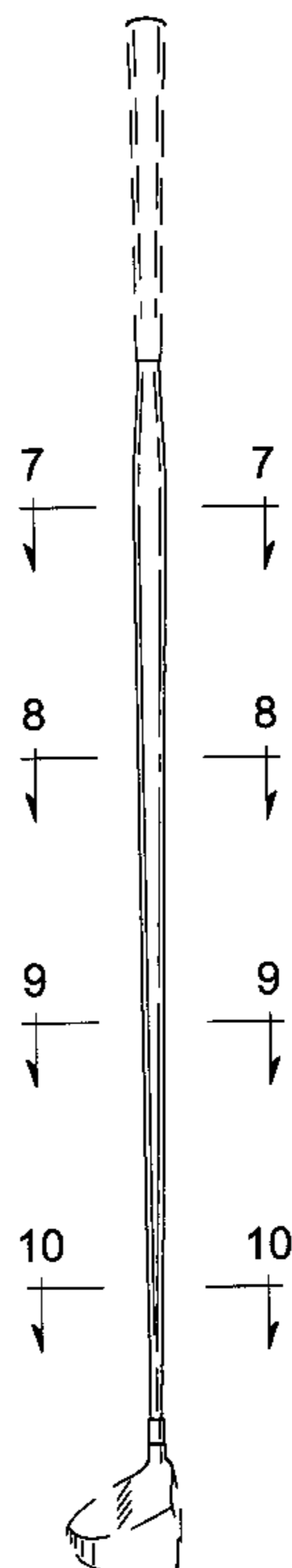
FIG. 10 is an enlarged peripheral cross-section view taken at the plane of line 10—10 of FIG. 6.

FIG. 11 is a front elevational view thereof; and,

FIG. 12 is a rear elevational view thereof.

I specifically disclaim portions of the golf club shaft not shown, as they form no part of the claimed design. In the views of FIGS. 2–5 and 7–10 identified as peripheral cross-section views, the disclosure of such views is limited to only the peripheral outline of the golf club shaft at the plane of the cross-section. The central hatching of those views is not disclosure of any feature of the golf club shaft, as any feature within the peripheral outline forms no part of the claimed design. The broken line illustration of the golf club head and handgrip are of environmental structure in the drawing and are not part of the design sought to be patented.

**1 Claim, 3 Drawing Sheets**



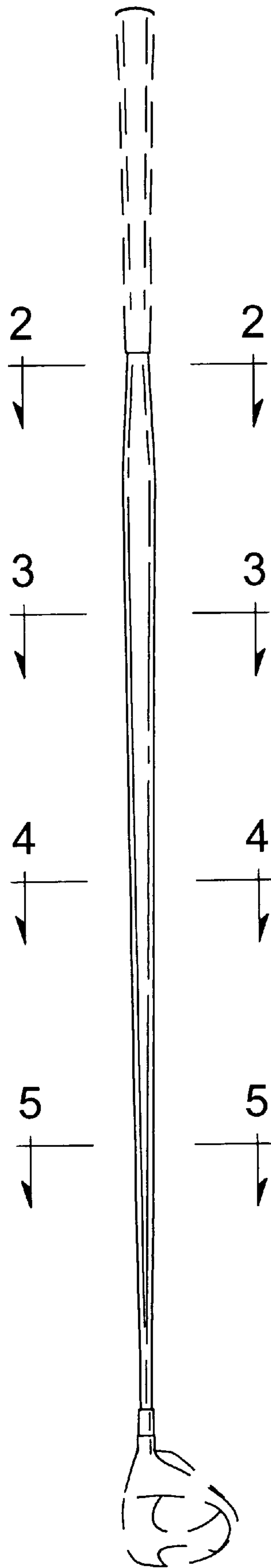


Fig. 1

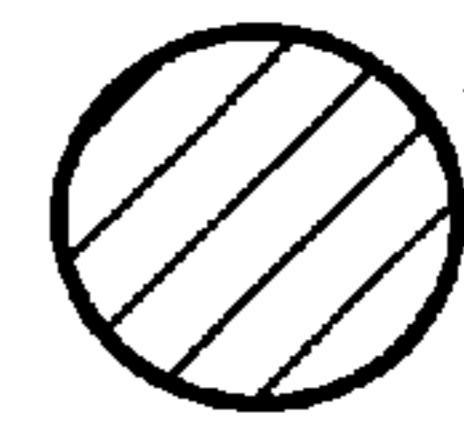


Fig. 2

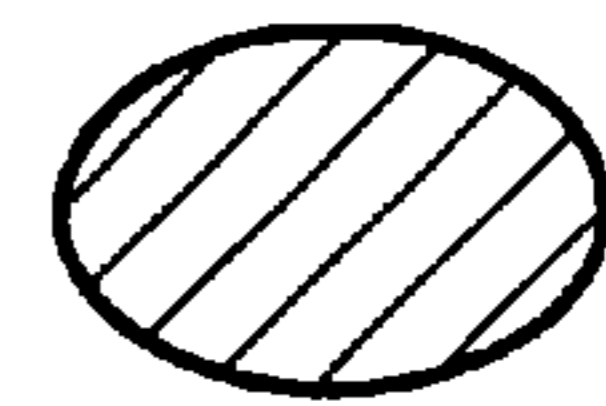


Fig. 3

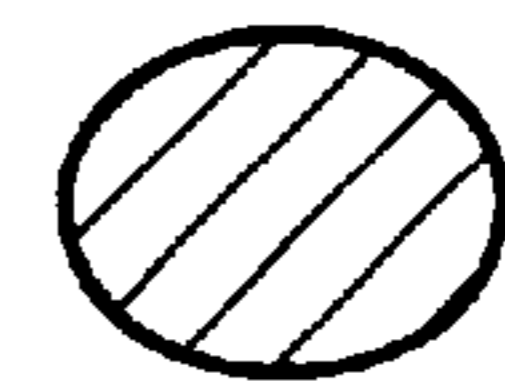


Fig. 4

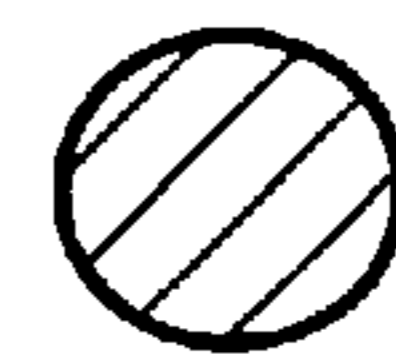


Fig. 5

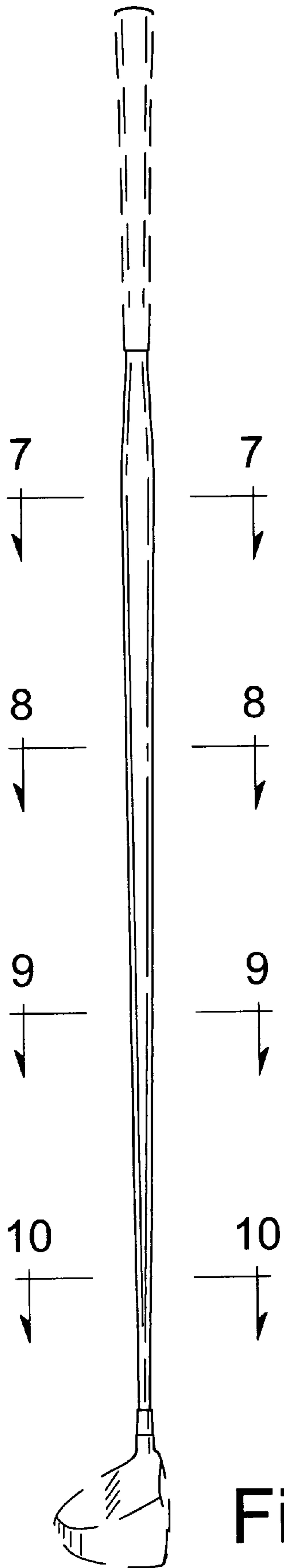


Fig. 6

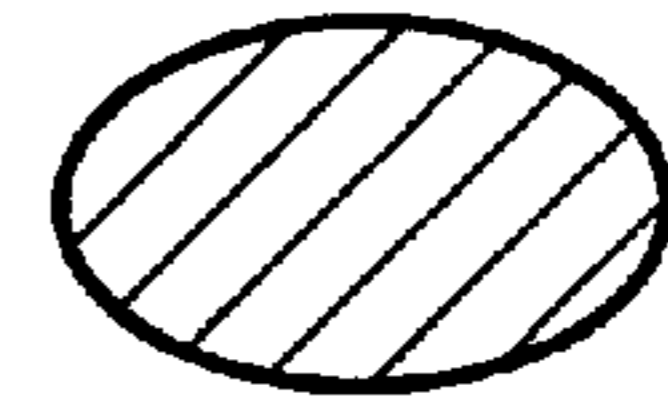


Fig. 7

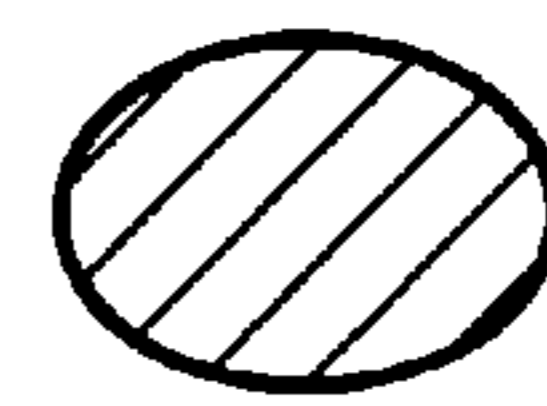


Fig. 8

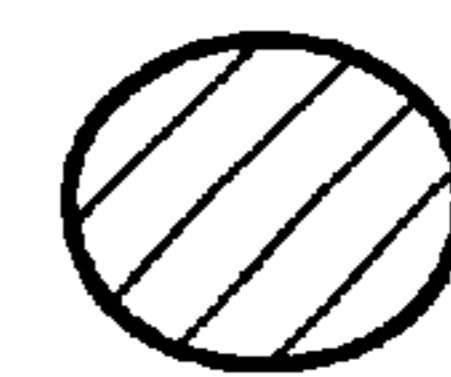


Fig. 9



Fig. 10

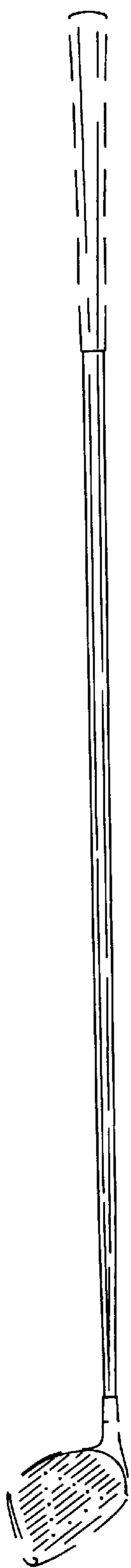


Fig. 11

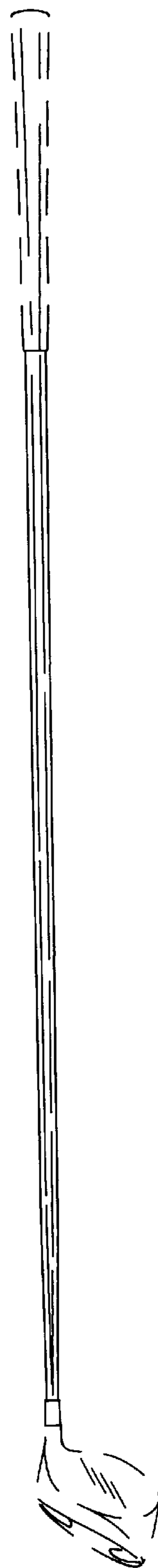


Fig. 12