



US00D529968S

(12) **United States Design Patent**
Frankel

(10) **Patent No.:** **US D529,968 S**

(45) **Date of Patent:** **** Oct. 10, 2006**

(54) **FOOTBALL GOALPOST**

(76) Inventor: **Bruce Frankel**, 1106 Galway Ct.,
Northbrook, IL (US) 60062

(**) Term: **14 Years**

(21) Appl. No.: **29/252,537**

(22) Filed: **Jan. 24, 2006**

(51) **LOC (8) Cl.** **21-02**

(52) **U.S. Cl.** **D21/699**

(58) **Field of Classification Search** D21/300-305,
D21/698, 699, 701, 702, 705, 788; 473/415,
473/416, 422, 446, 470, 476, 477; 273/317.1,
273/317.5, 348, 398, 399, 402, 407, 408
See application file for complete search history.

(56) **References Cited**

U.S. PATENT DOCUMENTS

3,675,922	A	*	7/1972	Nieland	473/420
3,825,261	A	*	7/1974	Zapos	473/477
3,831,941	A	*	8/1974	Pease	267/116
D237,518	S	*	11/1975	Norgaard	D21/705
D275,967	S	*	10/1984	Morano, Jr.	D19/75
4,535,988	A	*	8/1985	Foley	473/477
D324,554	S	*	3/1992	McKinney	D21/699
D347,033	S	*	5/1994	Moretz	D21/699
5,513,843	A	*	5/1996	Russell	473/416
5,558,338	A	*	9/1996	Taub	473/416
D500,105	S	*	12/2004	Szarolletta et al.	D21/699

2004/0121861 A1 * 6/2004 Constant 473/451

* cited by examiner

Primary Examiner—Catherine Tuttle

(74) *Attorney, Agent, or Firm*—Sonnenschein Nath &
Rosenthal LLP

(57) **CLAIM**

The ornamental design for a football goalpost, as shown and described.

DESCRIPTION

FIG. 1 is a perspective view of a football goalpost showing the new design;

FIG. 2 is a top view of a football goalpost as shown in FIG. 1;

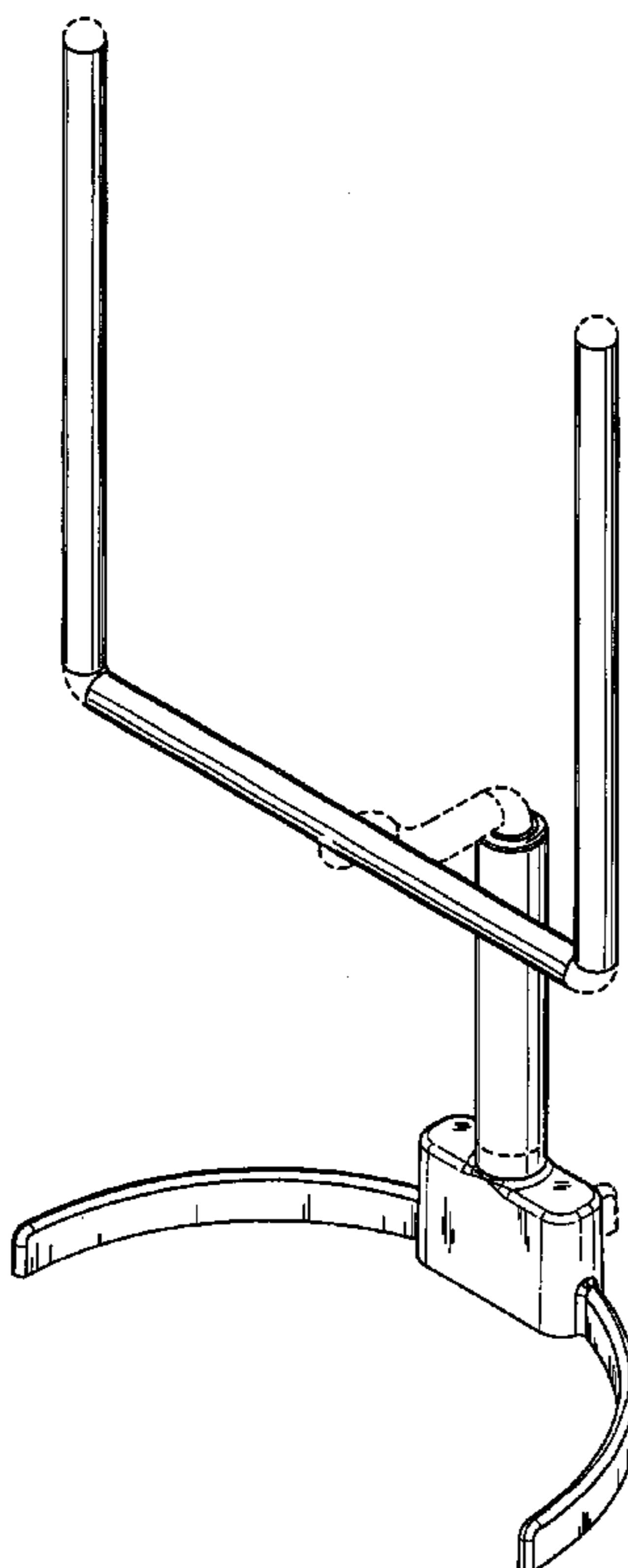
FIG. 3 is a left side elevational view of the football goalpost as shown in FIG. 1, the right side view being a mirror image of the left side view;

FIG. 4 is a front elevational view of the football goalpost as shown in FIG. 1; and,

FIG. 5 is a back elevational view of the football goalpost as shown in FIG. 1.

Features shown in dashed lines immediately adjacent the shaded areas or adjacent the solid lines represent the bounds of the claim and all other dashed lines are for illustrative purposes only. None of the dashed lines form a part of the claimed design.

1 Claim, 5 Drawing Sheets



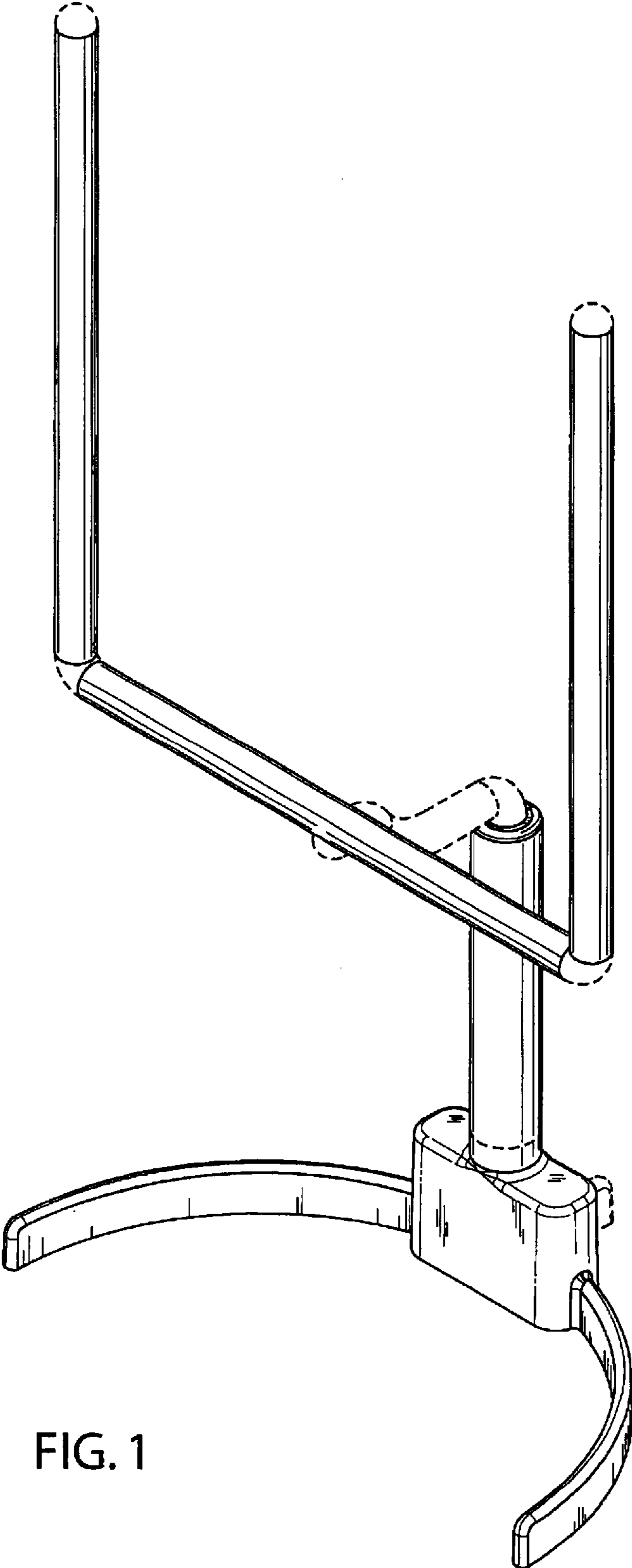


FIG. 1

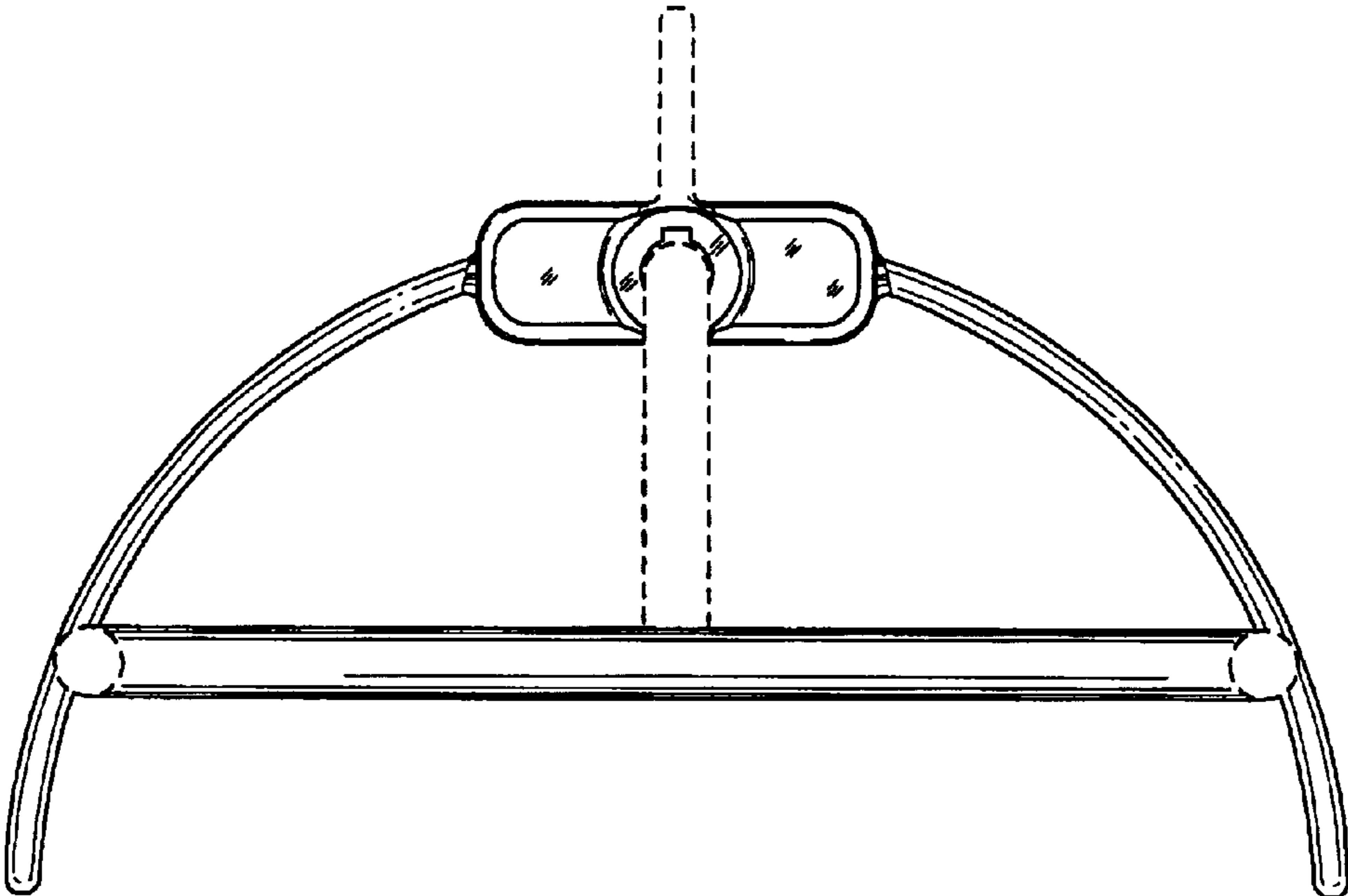


FIG. 2

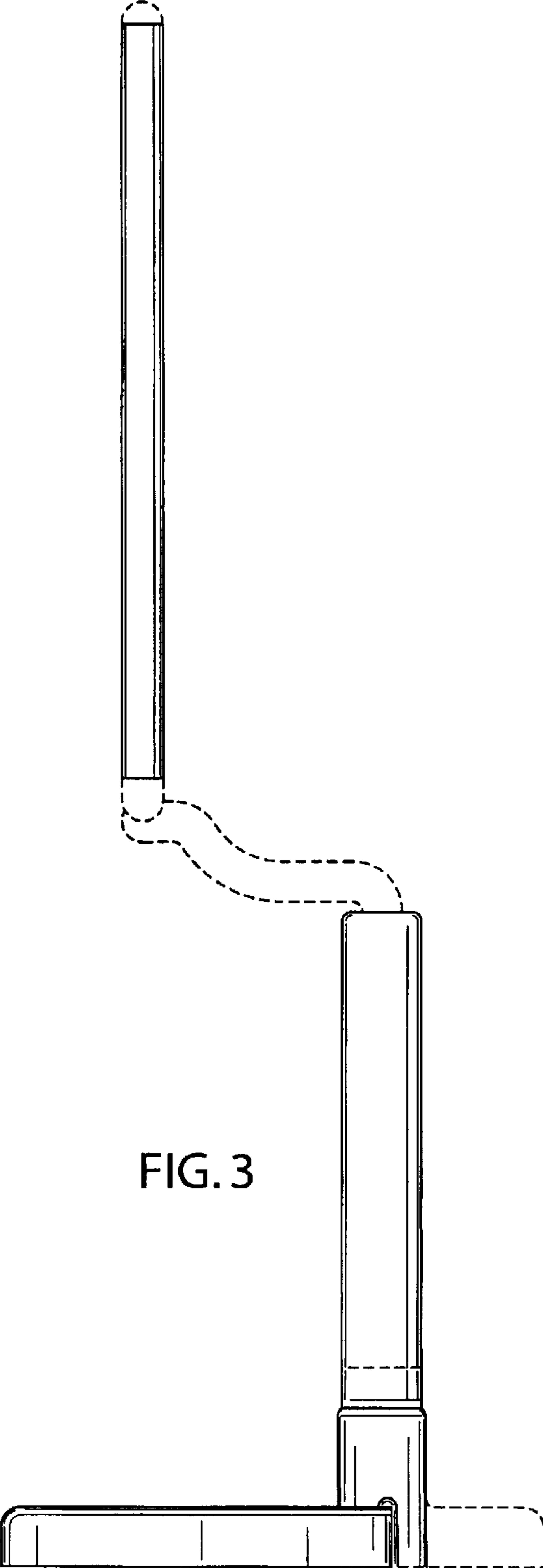


FIG. 3

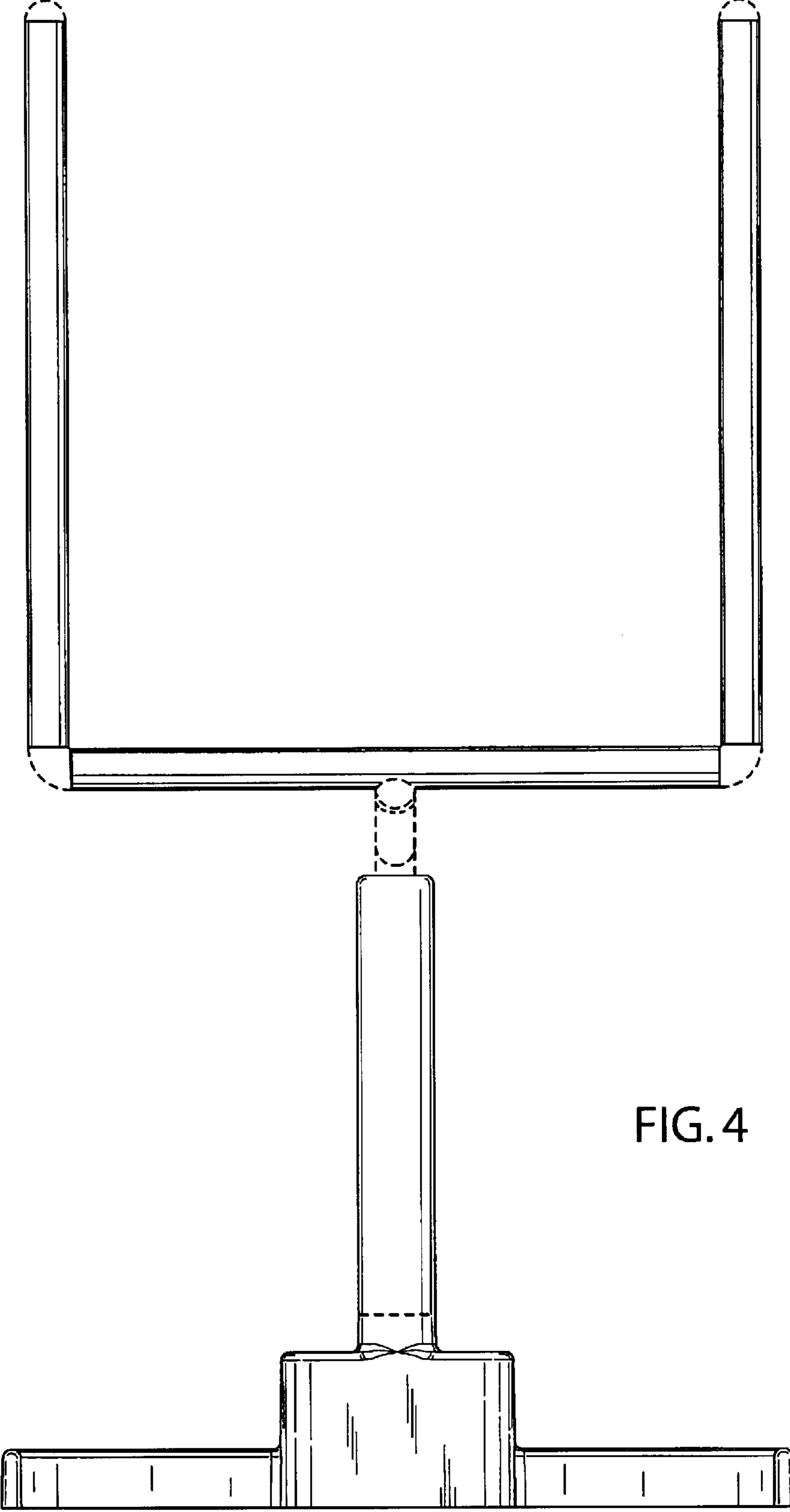


FIG. 4

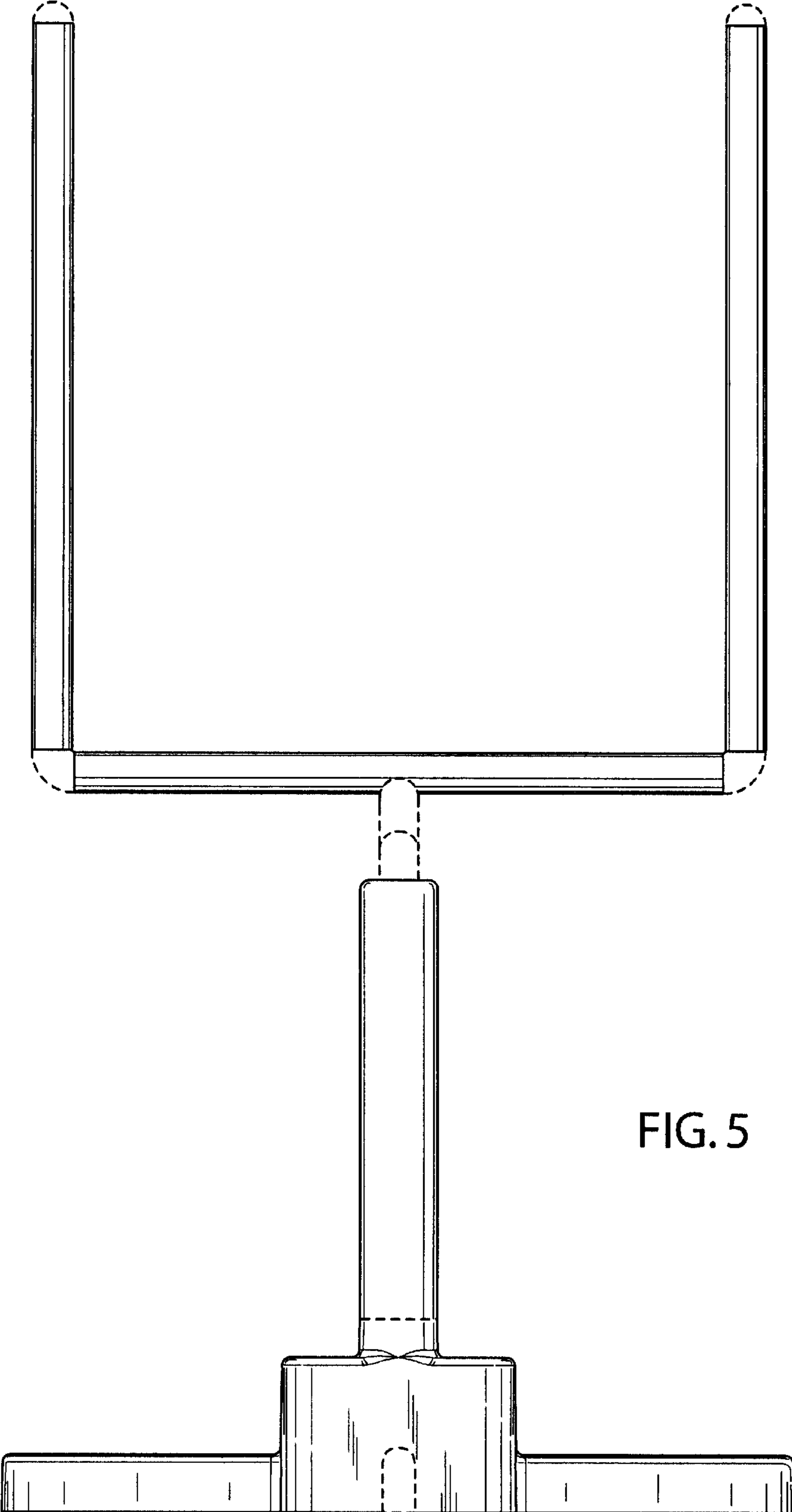


FIG. 5