



US00D529964S

(12) **United States Design Patent**  
**Green, Jr.**

(10) **Patent No.:** **US D529,964 S**

(45) **Date of Patent:** **\*\* Oct. 10, 2006**

(54) **MULTI-FUNCTIONAL MUSIC VENDING MACHINE**

5,949,688 A	9/1999	Montoya et al.
6,056,151 A *	5/2000	Peery et al. .... 221/24
D463,395 S *	9/2002	Newcomb et al. .... D14/173
6,715,673 B1 *	4/2004	Fulcher et al. .... 235/381
2003/0057219 A1	3/2003	Risolia

(76) Inventor: **William A. Green, Jr.**, 1522 Aberdeen Dr., Lancaster, TX (US) 75134

(\*\*) Term: **14 Years**

**OTHER PUBLICATIONS**

Title of Source: www.dvdxpress.net Product Name: DVDX-PRESS Automated DVD Rental Systems.

(21) Appl. No.: **29/215,409**

\* cited by examiner

(22) Filed: **Oct. 20, 2004**

(51) **LOC (8) Cl.** ..... **20-01**

*Primary Examiner*—Robert M. Spear

(52) **U.S. Cl.** ..... **D20/3**

(57) **CLAIM**

(58) **Field of Classification Search** ..... D20/1-7,  
D20/99; D21/324-328; 273/447, 448, 459-463;  
312/114; 463/1, 2, 5, 7, 46; 221/3; 700/234,  
700/235

The ornamental design for a multi-functional music vending machine, as shown and described.

See application file for complete search history.

**DESCRIPTION**

(56) **References Cited**

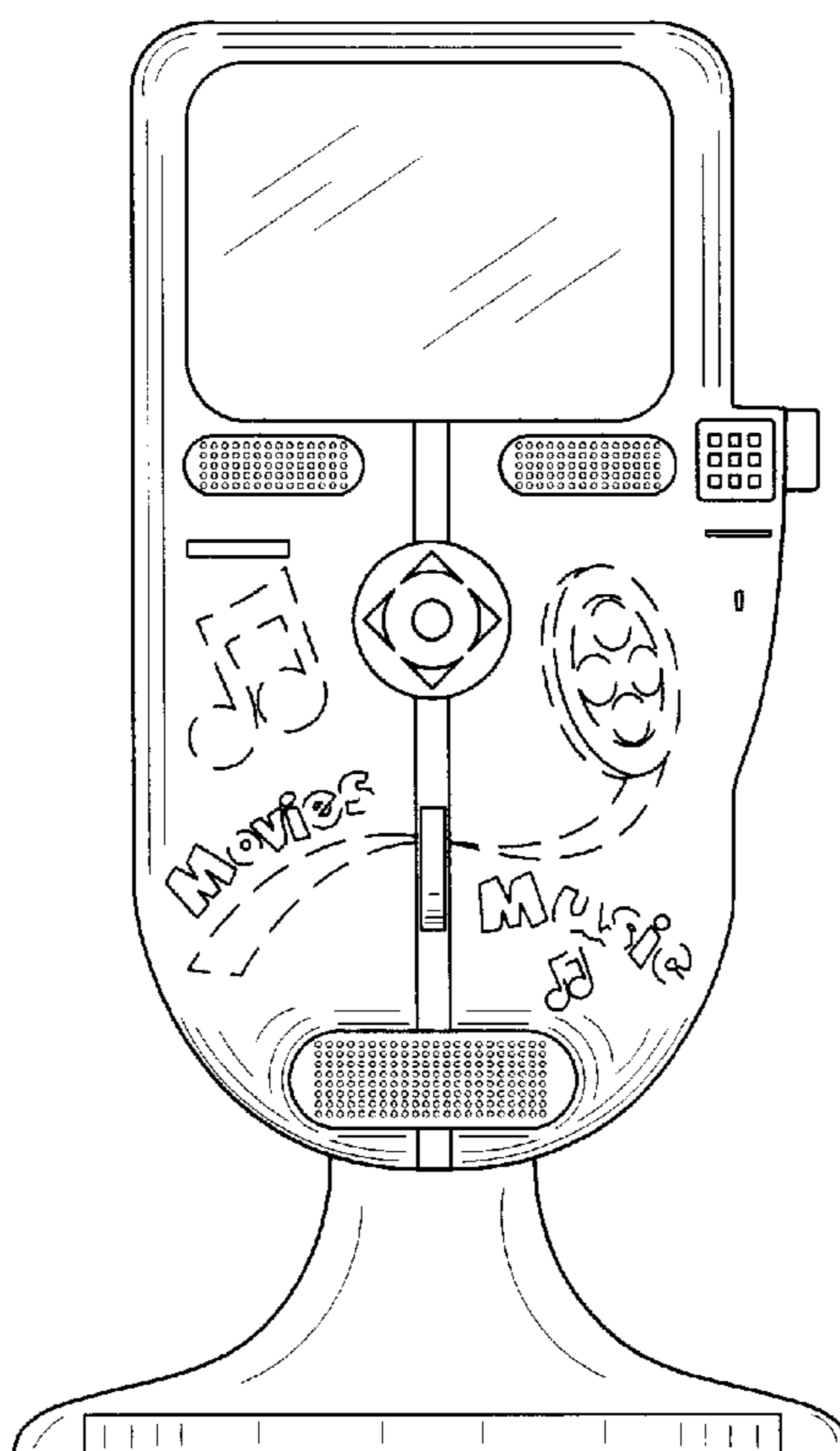
FIG. 1 is a front elevational view of a multi-functional music vending machine showing my new design; FIG. 2 is a rear elevational view thereof; FIG. 3 is a right side elevational view thereof; FIG. 4 is a left side elevational view thereof; FIG. 5 is a top plan view thereof; and, FIG. 6 is a bottom plan view thereof.

**U.S. PATENT DOCUMENTS**

The broken lines in the drawings represent environmental structure only and form no part of the claimed design.

5,415,319 A	5/1995	Risolia
5,445,295 A	8/1995	Brown
D369,622 S *	5/1996	Fontaine ..... D20/2
D378,919 S	4/1997	Gareiss et al.
5,633,839 A	5/1997	Alexander et al.
D384,107 S *	9/1997	Davis ..... D20/1
5,748,485 A	5/1998	Christiansen et al.
5,854,774 A *	12/1998	Timme ..... 368/10
D409,247 S *	5/1999	Bercier ..... D20/1

**1 Claim, 3 Drawing Sheets**



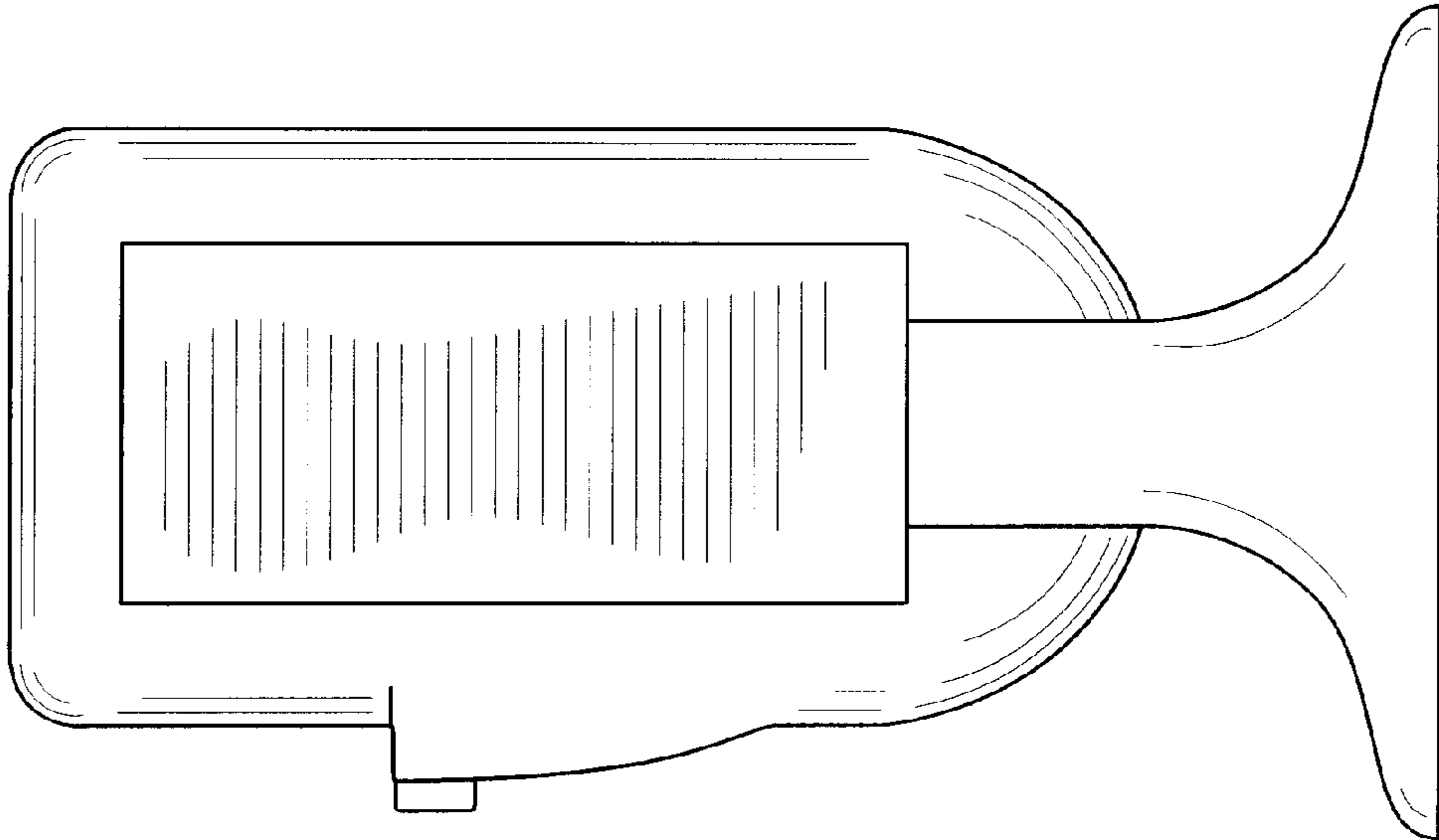


FIG. 2

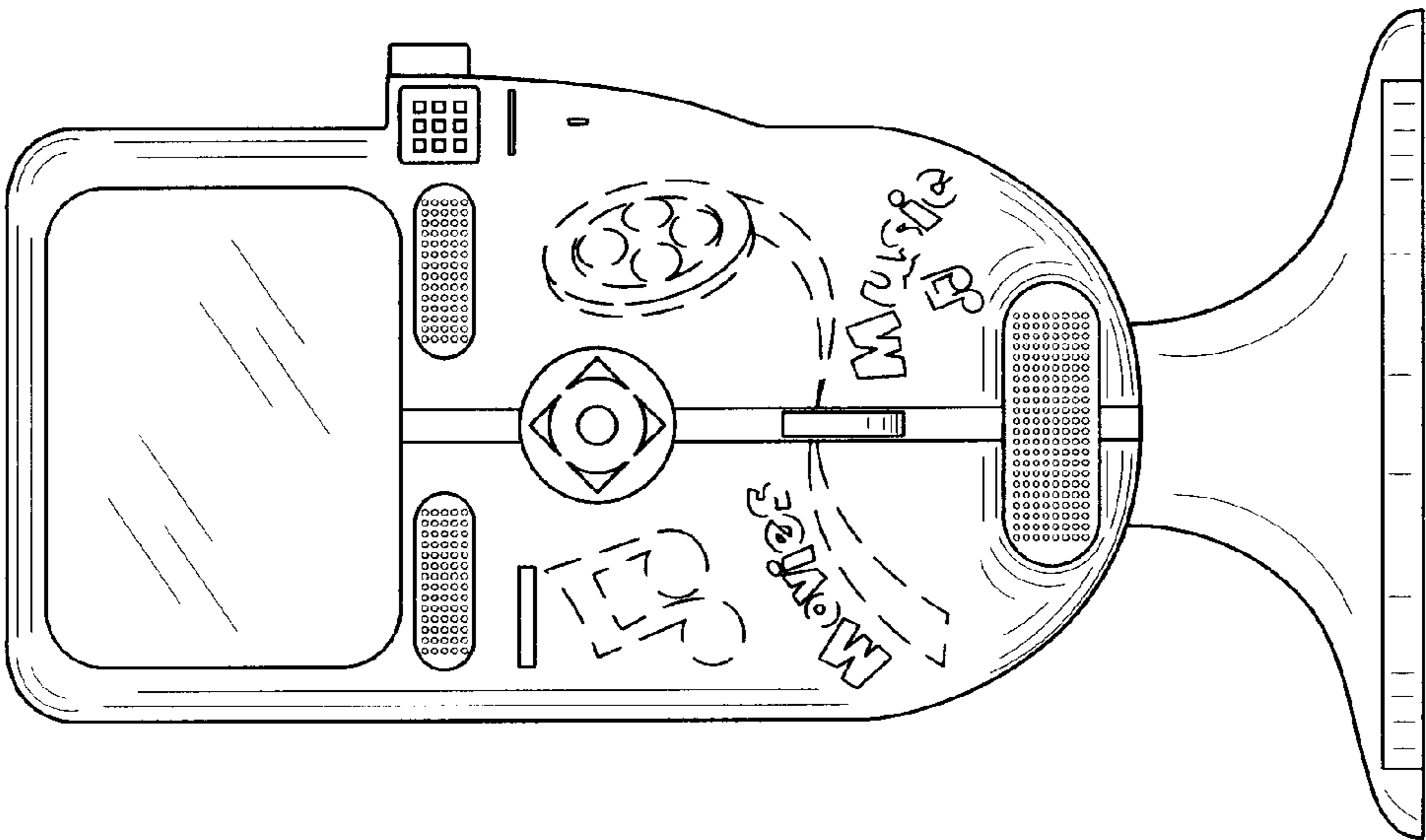


FIG. 1

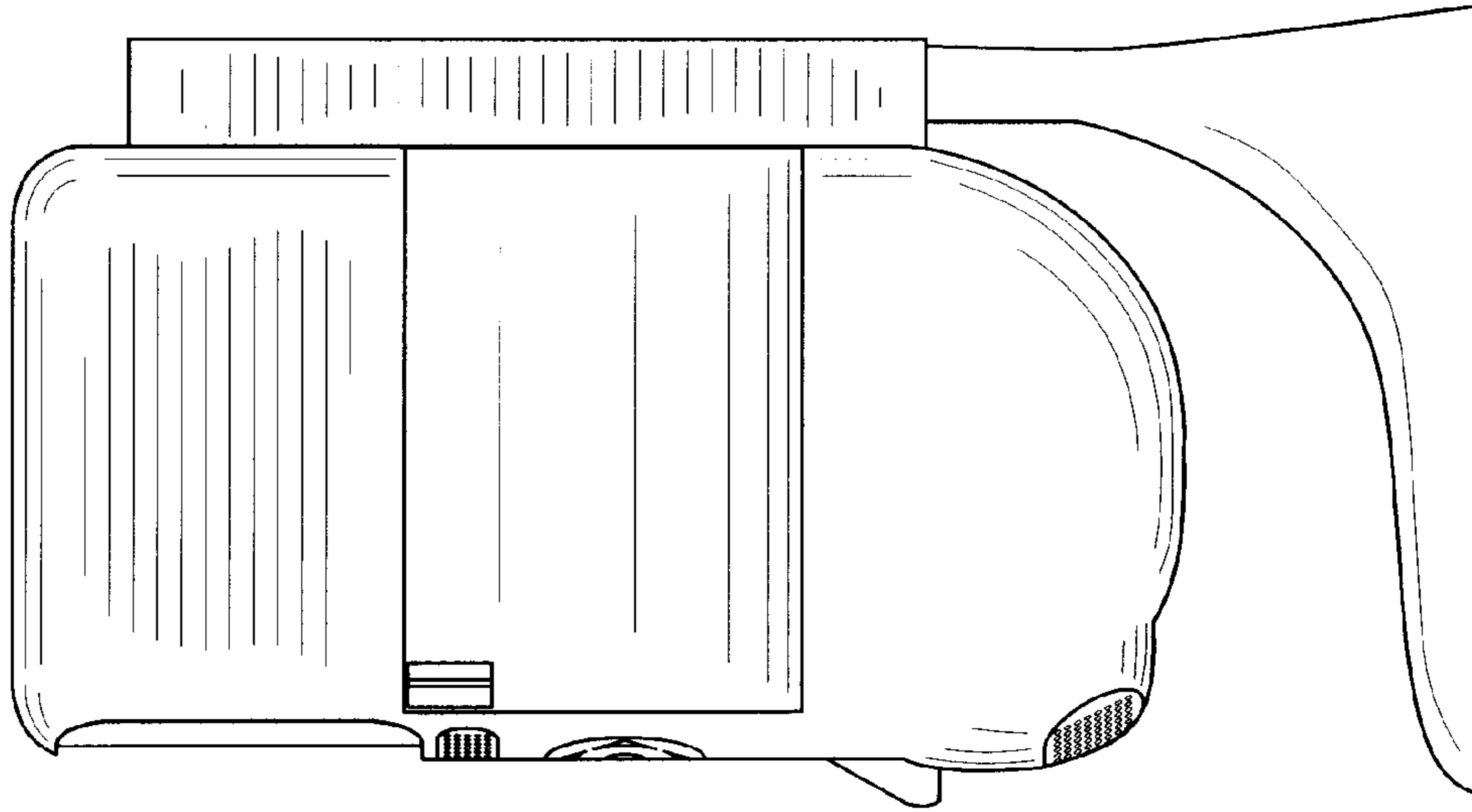


FIG. 4

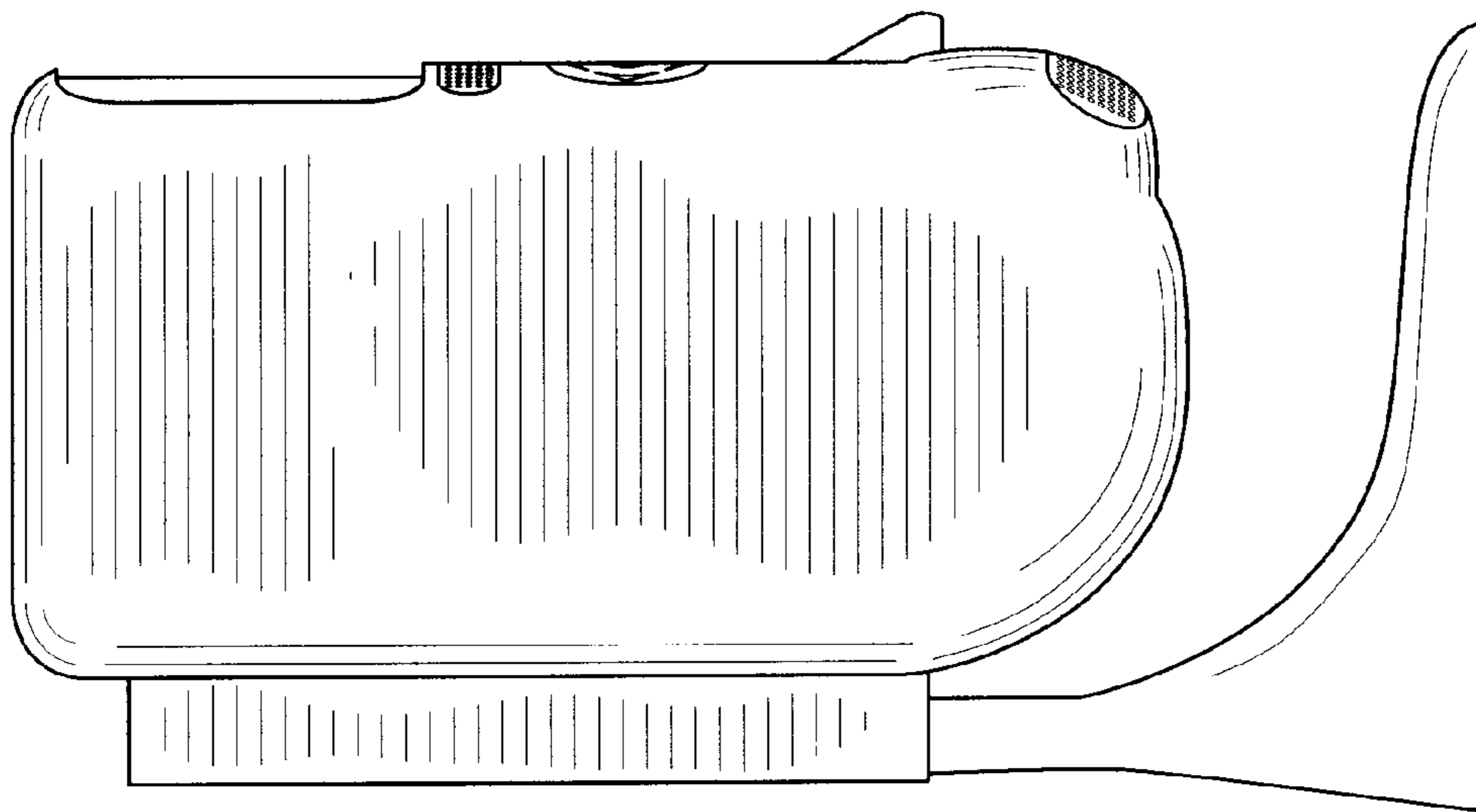


FIG. 3

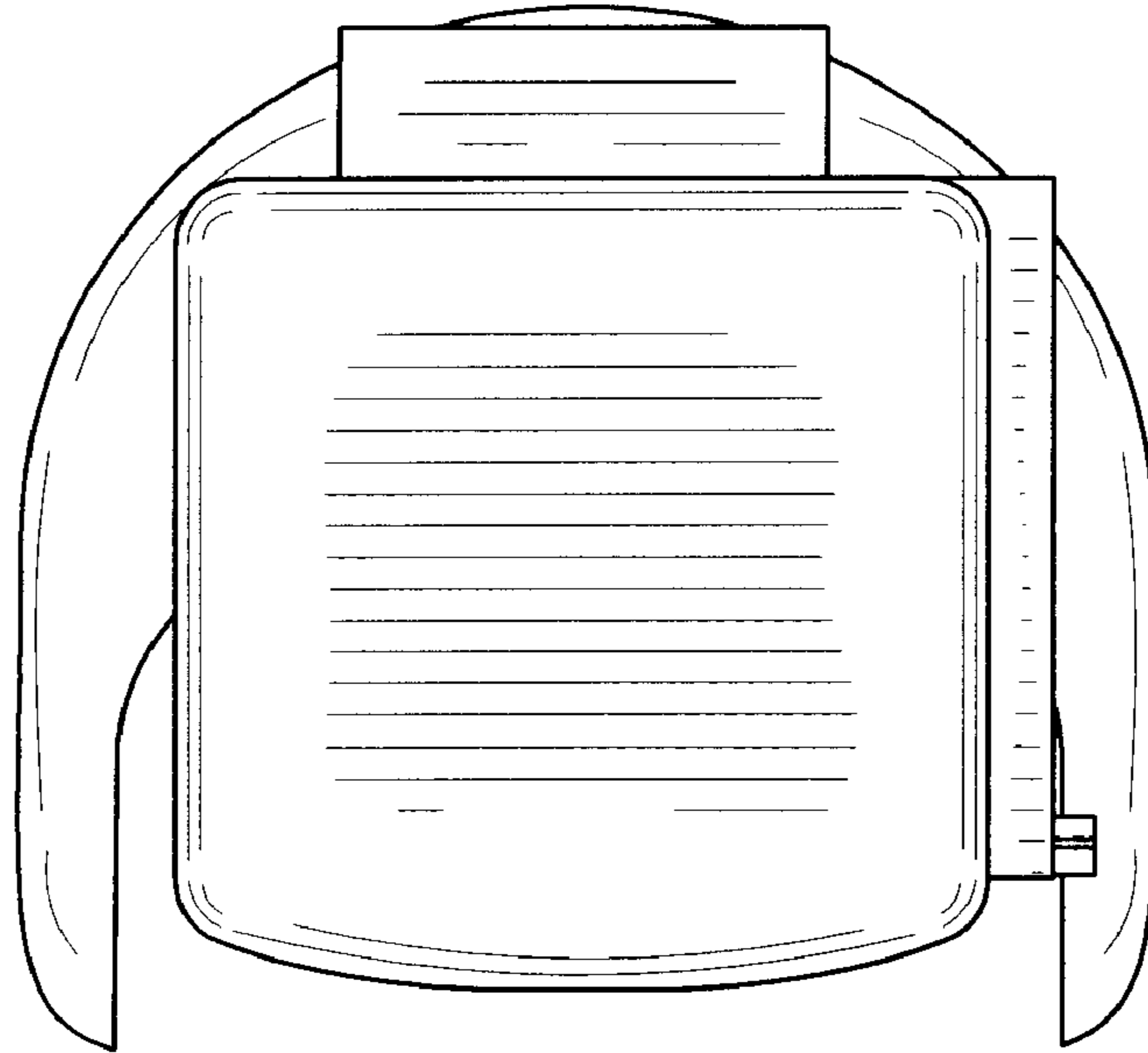


FIG. 5

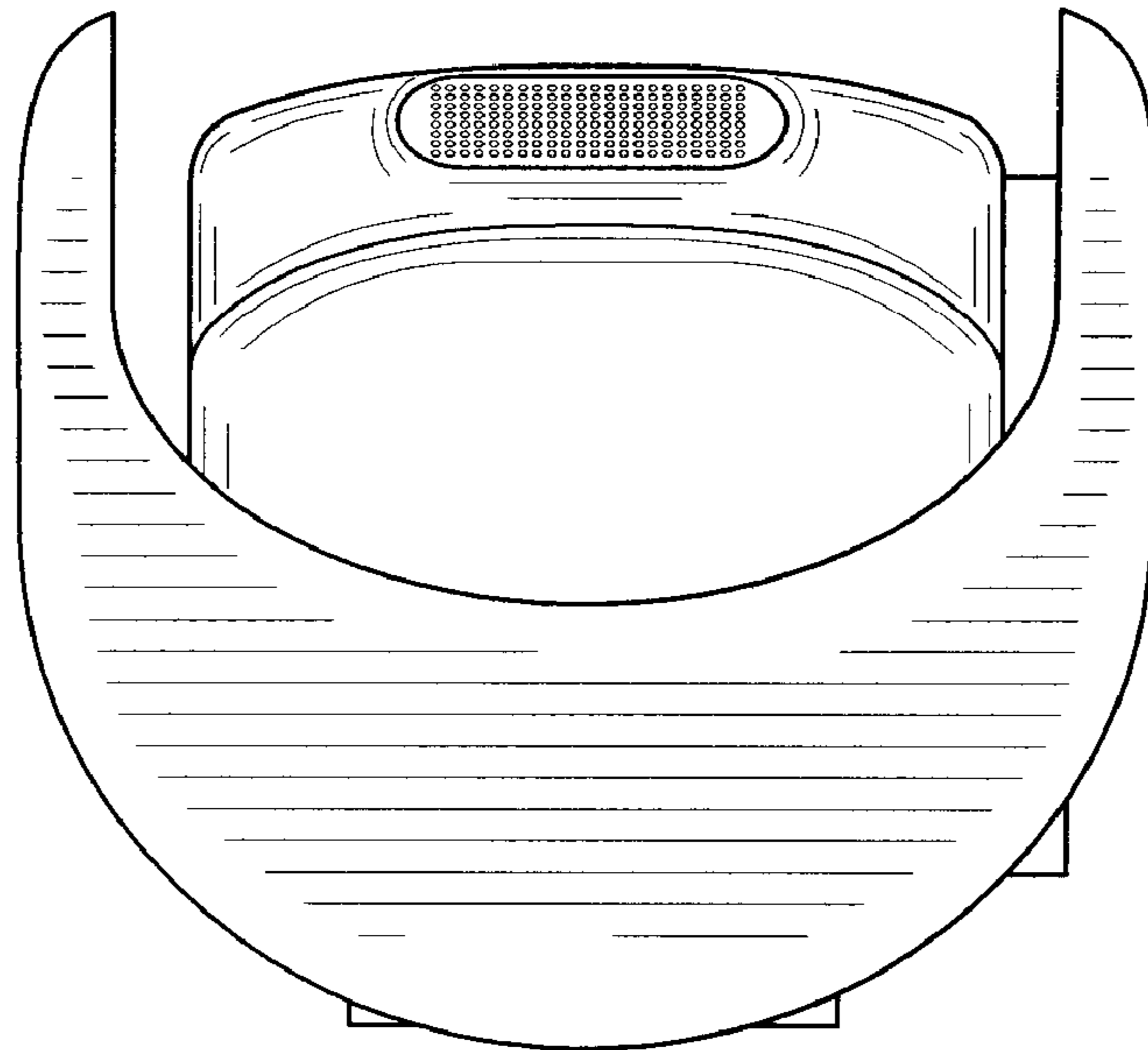


FIG. 6