

US00D529959S

(12) **United States Design Patent**  
**Oas**

(10) **Patent No.:** **US D529,959 S**

(45) **Date of Patent:** **\*\* Oct. 10, 2006**

(54) **STICKY NOTE PEN SET**

(75) Inventor: **Daniel Oas**, Irwindale, CA (US)

(73) Assignee: **Calibre International, LLC**, Irwindale, CA (US)

(\*\*) Term: **14 Years**

(21) Appl. No.: **29/225,165**

(22) Filed: **Mar. 11, 2005**

(51) **LOC (8) Cl.** ..... **19-06**

(52) **U.S. Cl.** ..... **D19/36**

(58) **Field of Classification Search** ..... D3/201,  
D3/206, 273, 294; D9/414, 420, 422, 423,  
D9/424, 425, 432, 529; D19/35, 36, 54, 100;  
24/11 CT, 11 HC; 206/38, 214, 216, 224,  
206/380, 443

See application file for complete search history.

(56) **References Cited**

**U.S. PATENT DOCUMENTS**

1,333,601 A \* 3/1920 Black ..... 206/216  
D263,879 S \* 4/1982 Mann ..... D24/144  
5,020,662 A \* 6/1991 Aida ..... 206/214

D397,547 S \* 9/1998 Goodwin et al. .... D3/206  
D404,917 S \* 2/1999 Miller et al. .... D3/294  
D425,296 S \* 5/2000 Shurtleff ..... D3/205  
D430,727 S \* 9/2000 Wisniewski ..... D3/265  
D492,106 S \* 6/2004 Fonfeder ..... D3/206

\* cited by examiner

*Primary Examiner*—Elizabeth A. Albert

(74) *Attorney, Agent, or Firm*—The Soni Law Firm

(57) **CLAIM**

The ornamental design for a sticky note pen set, as shown and described.

**DESCRIPTION**

FIG. 1 is a top front perspective view of a sticky note pen set;

FIG. 2 is a side view of the sticky note pen set of FIG. 1;

FIG. 3 is a front view of the sticky note pen set of FIG. 1;

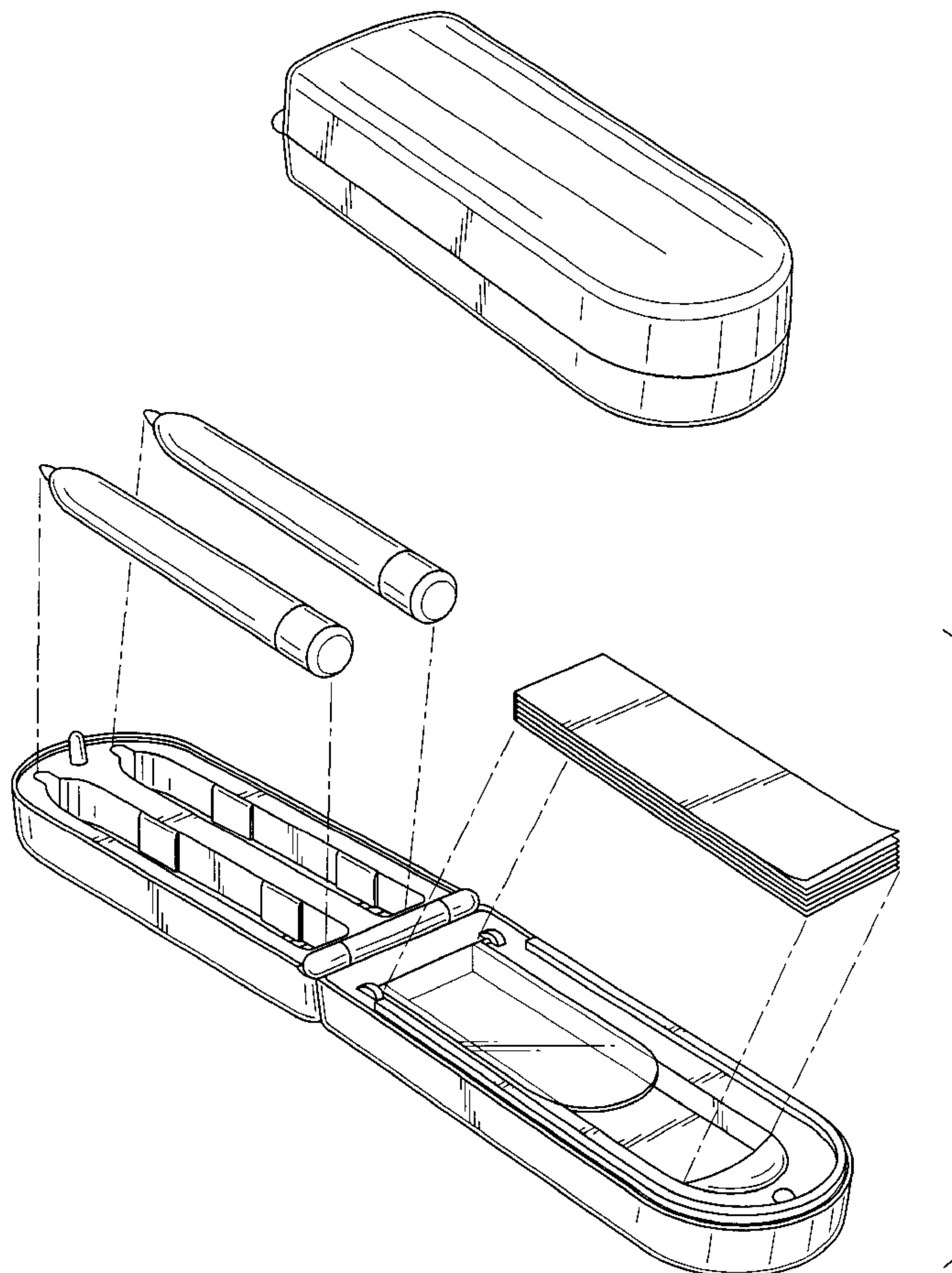
FIG. 4 is a rear view of the sticky note pen set of FIG. 1;

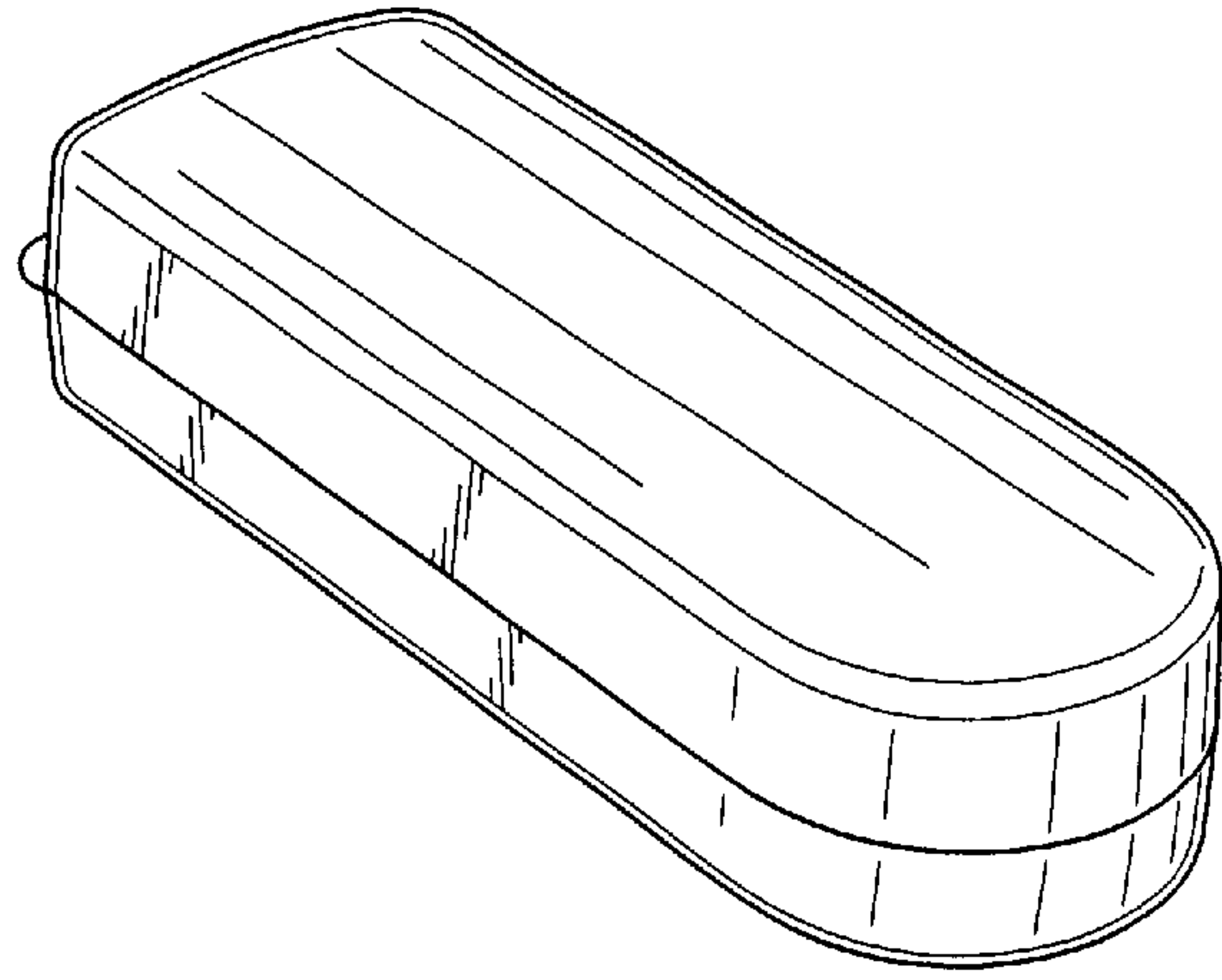
FIG. 5 is a top view of the sticky note pen set of FIG. 1;

FIG. 6 is a bottom plan view of the sticky note pen set of FIG. 1; and,

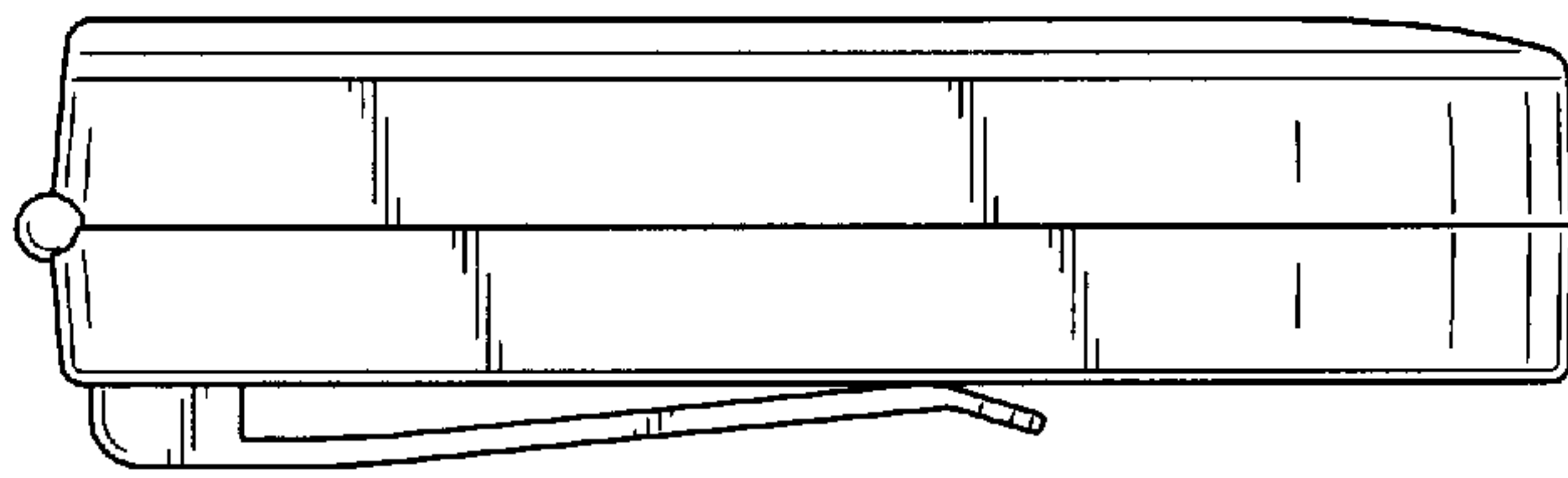
FIG. 7 is an exploded perspective view of the sticky note pen set of FIG. 1, with the case shown in opened condition.

**1 Claim, 3 Drawing Sheets**

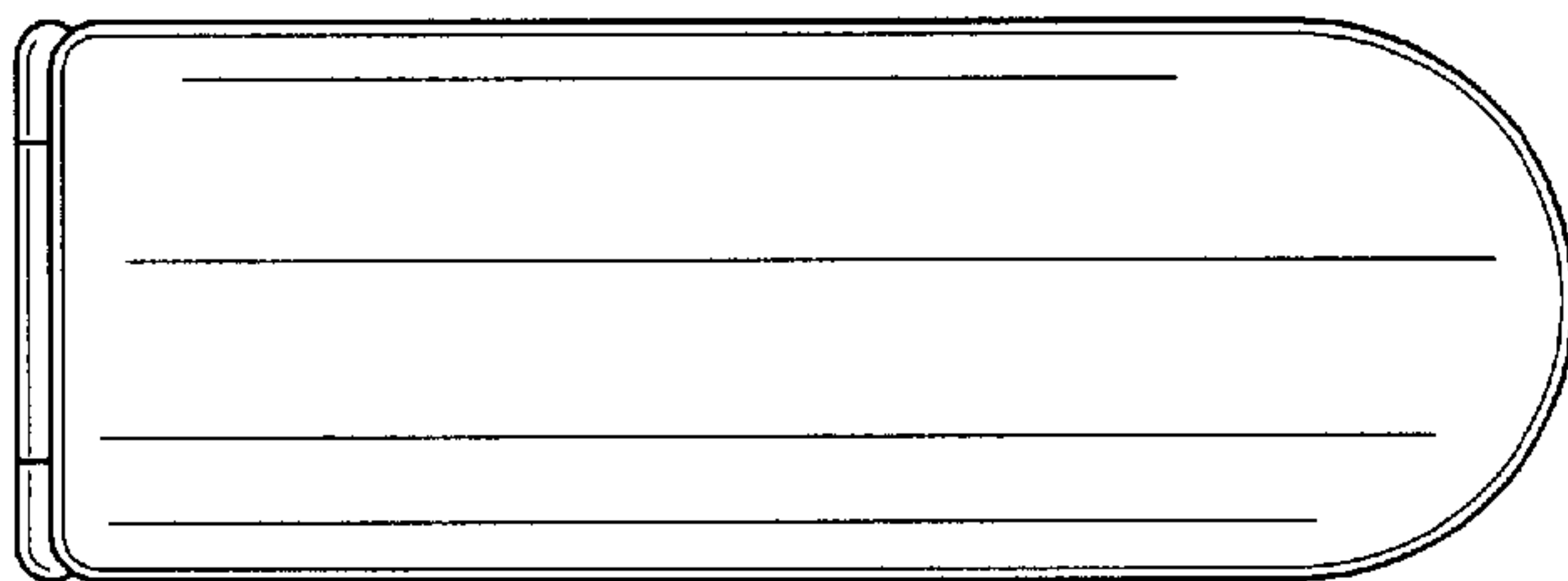




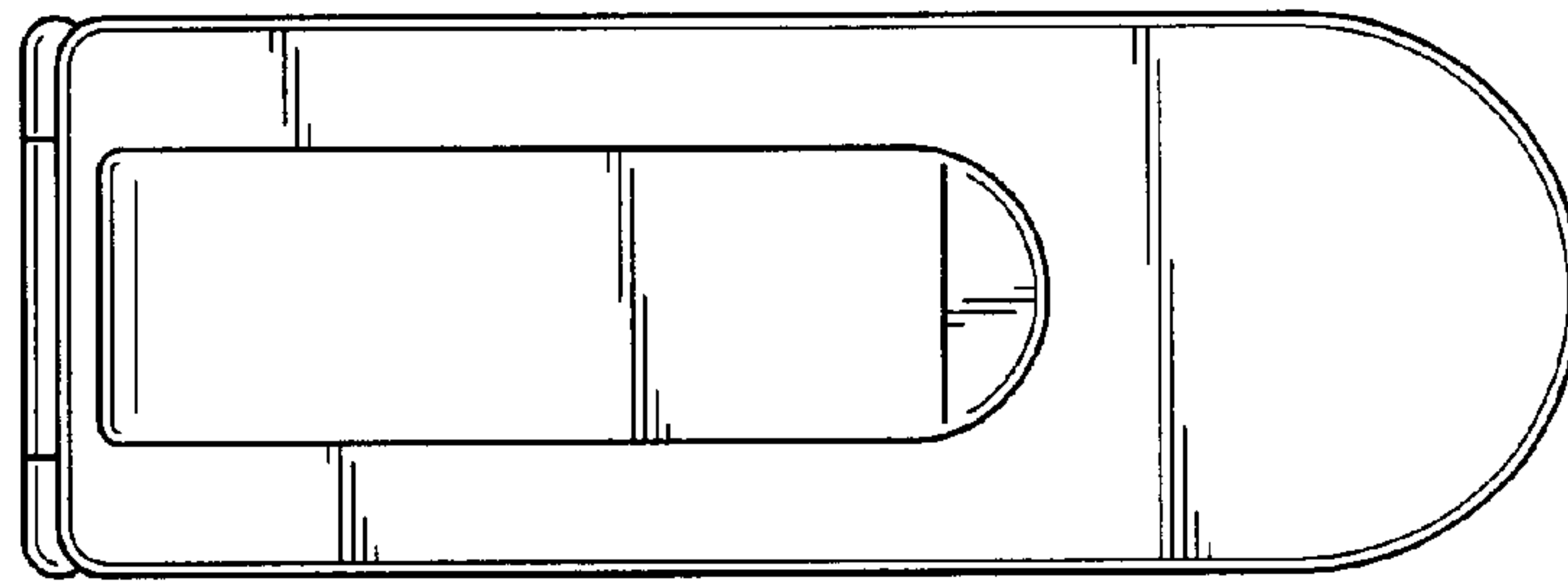
*FIG. 1*



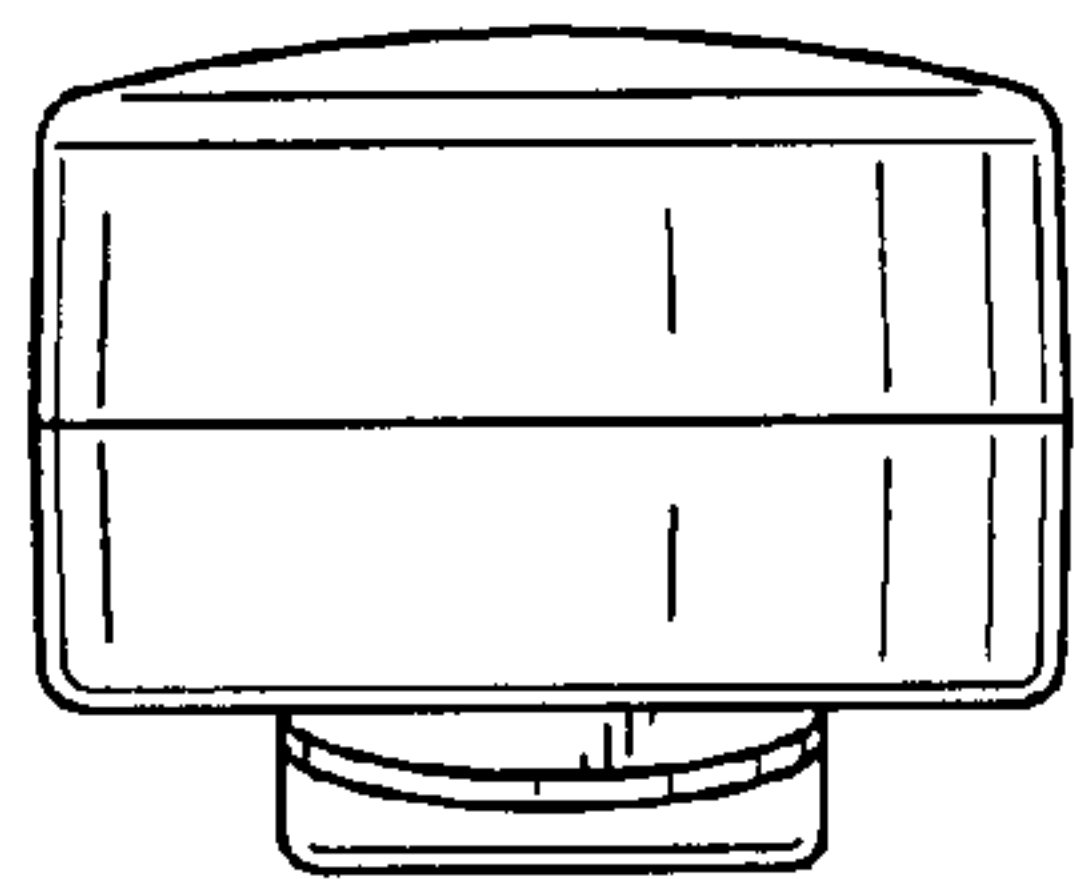
*FIG. 2*



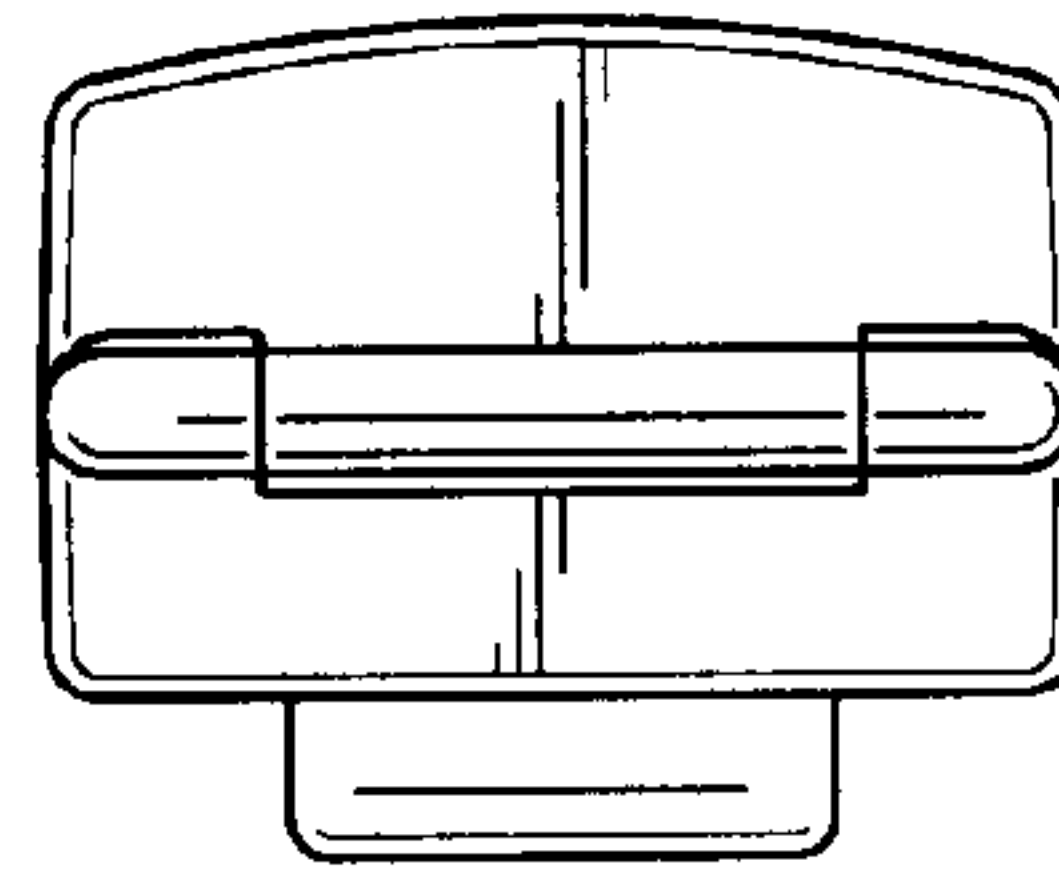
*FIG. 3*



*FIG. 4*



*FIG. 5*



*FIG. 6*

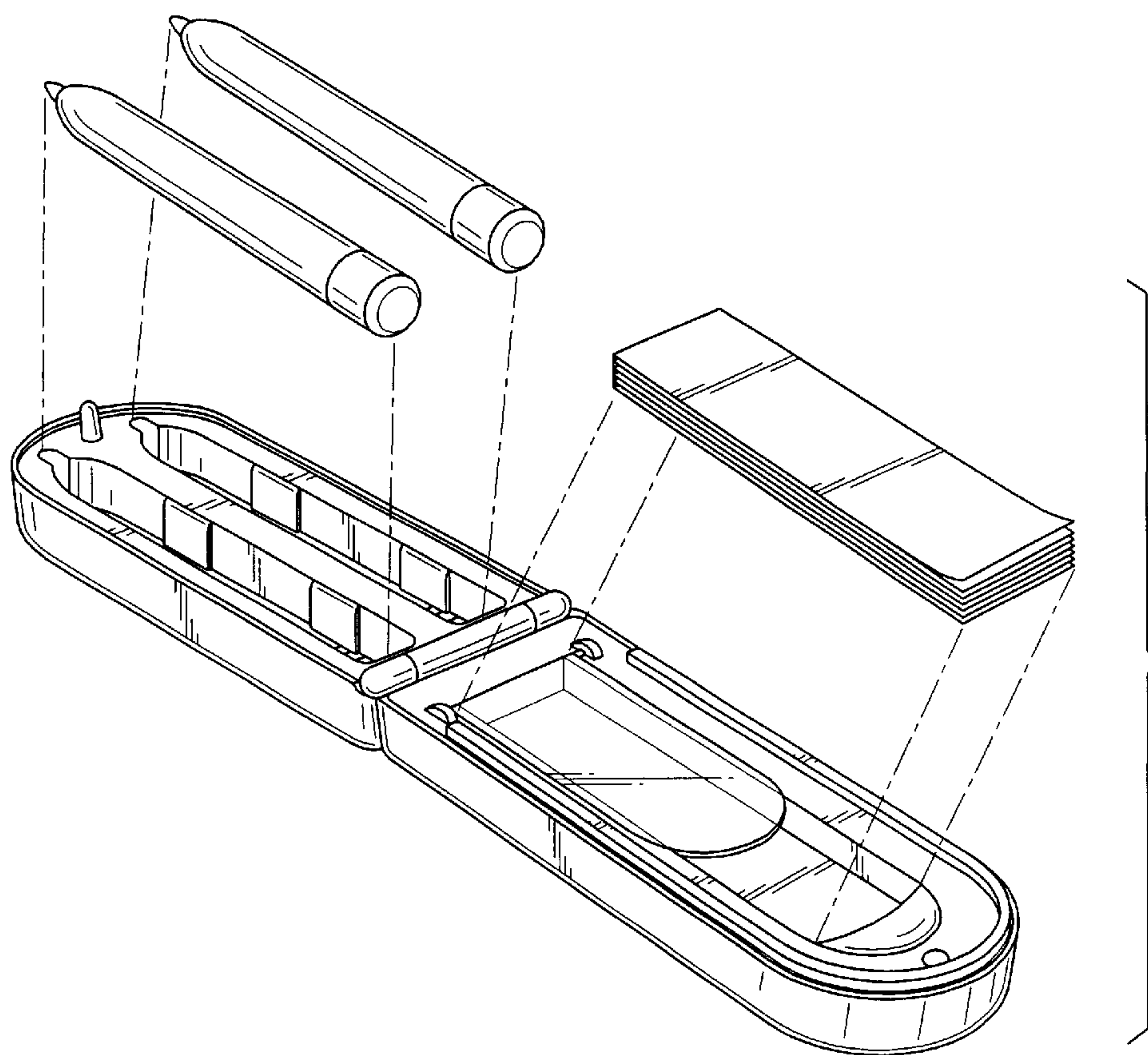


FIG. 7