



US00D529954S

(12) **United States Design Patent**
Matsumoto

(10) **Patent No.:** **US D529,954 S**

(45) **Date of Patent:** **** Oct. 10, 2006**

(54) **INK CARTRIDGE FOR PRINTER**

2005/0001888 A1 * 1/2005 Seino et al. 347/86
2005/0057625 A1 * 3/2005 Ishizawa et al. 347/86

(75) Inventor: **Hitoshi Matsumoto**, Suwa (JP)

FOREIGN PATENT DOCUMENTS

(73) Assignee: **Seiko Epson Corporation**, Tokyo (JP)

JP D1127682 12/2001
JP D1127791 12/2001

(**) Term: **14 Years**

* cited by examiner

(21) Appl. No.: **29/235,686**

Primary Examiner—Cathy Anne MacCormac

(22) Filed: **Aug. 3, 2005**

(74) *Attorney, Agent, or Firm*—Stroock & Stroock & Lavan LLP

(30) **Foreign Application Priority Data**

Feb. 28, 2005 (JP) 2005-005670

(57) **CLAIM**

(51) **LOC (8) Cl.** **18-02**

The ornamental design for an ink cartridge for printer, as shown and described.

(52) **U.S. Cl.** **D18/56**; 347/86

(58) **Field of Classification Search** D18/12,
D18/18, 40, 43, 56; 347/86–87; 399/110
See application file for complete search history.

DESCRIPTION

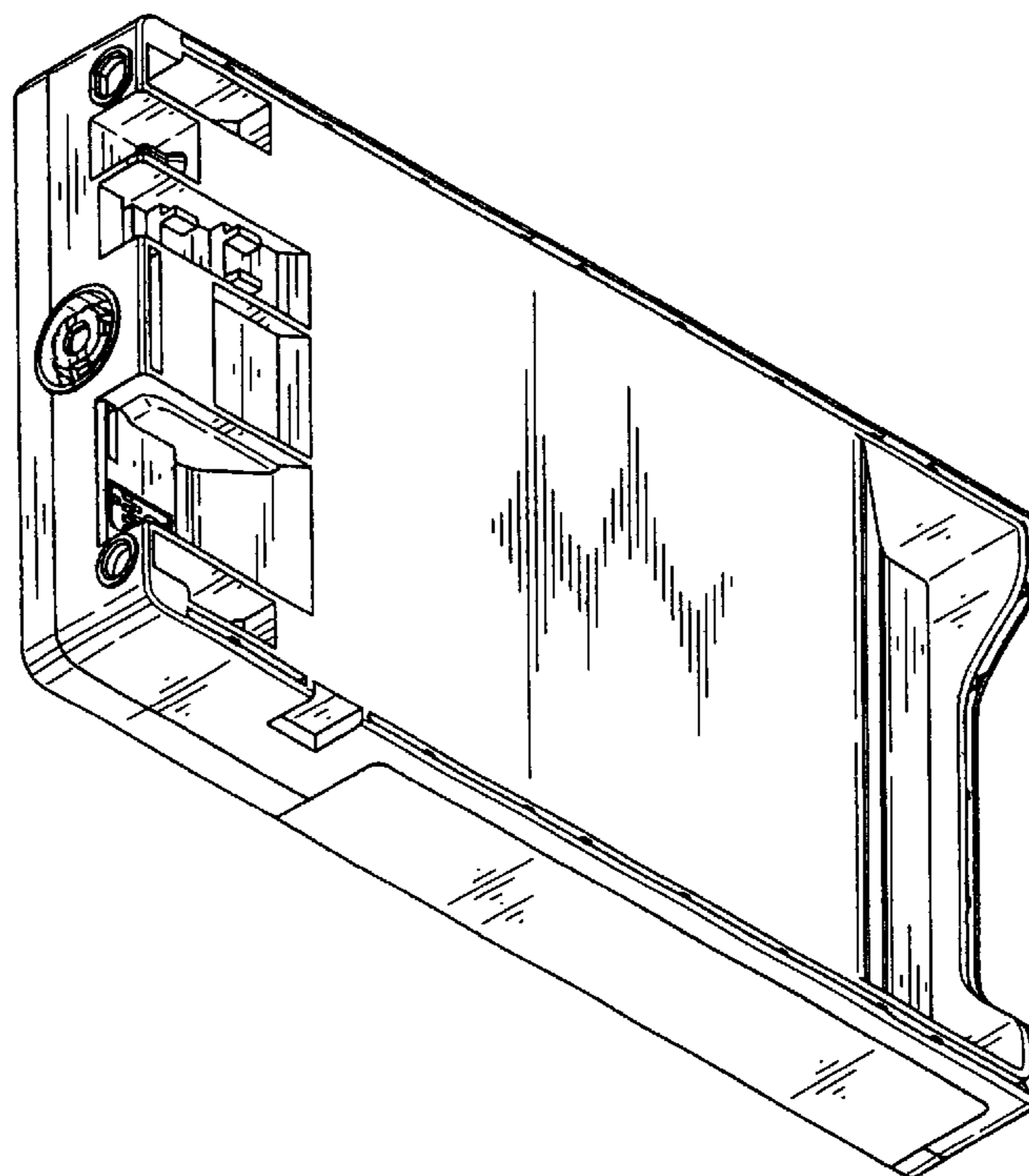
(56) **References Cited**

U.S. PATENT DOCUMENTS

5,541,631 A * 7/1996 Hashimoto 347/86
D466,925 S 12/2002 Ishizawa et al.
D468,767 S * 1/2003 Yamada et al. D18/56
D468,768 S * 1/2003 Yamada et al. D18/56
D477,020 S 7/2003 Seino
D489,756 S * 5/2004 Matsumoto et al. D18/56
D489,757 S * 5/2004 Matsumoto D18/56
D511,792 S * 11/2005 Shinada et al. D18/56

FIG. 1 is a top, front and right side perspective view of an ink cartridge for printer showing our new design;
FIG. 2 is a bottom, front and left side perspective view thereof;
FIG. 3 is a front view thereof;
FIG. 4 is a rear view thereof;
FIG. 5 is a top plan view thereof;
FIG. 6 is a bottom view thereof;
FIG. 7 is a left side view thereof; and,
FIG. 8 is a right side view thereof.

1 Claim, 4 Drawing Sheets



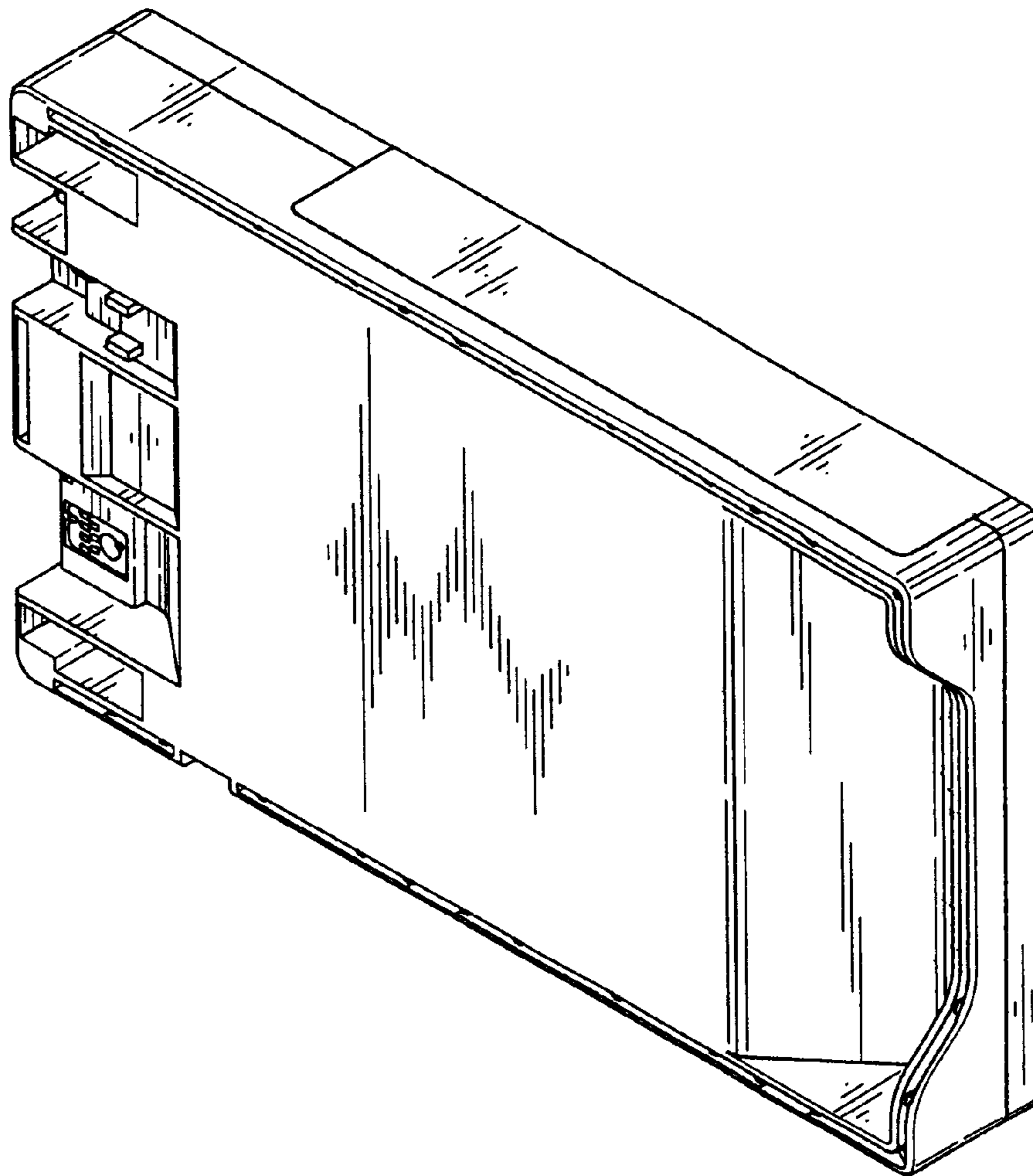


FIG. 1

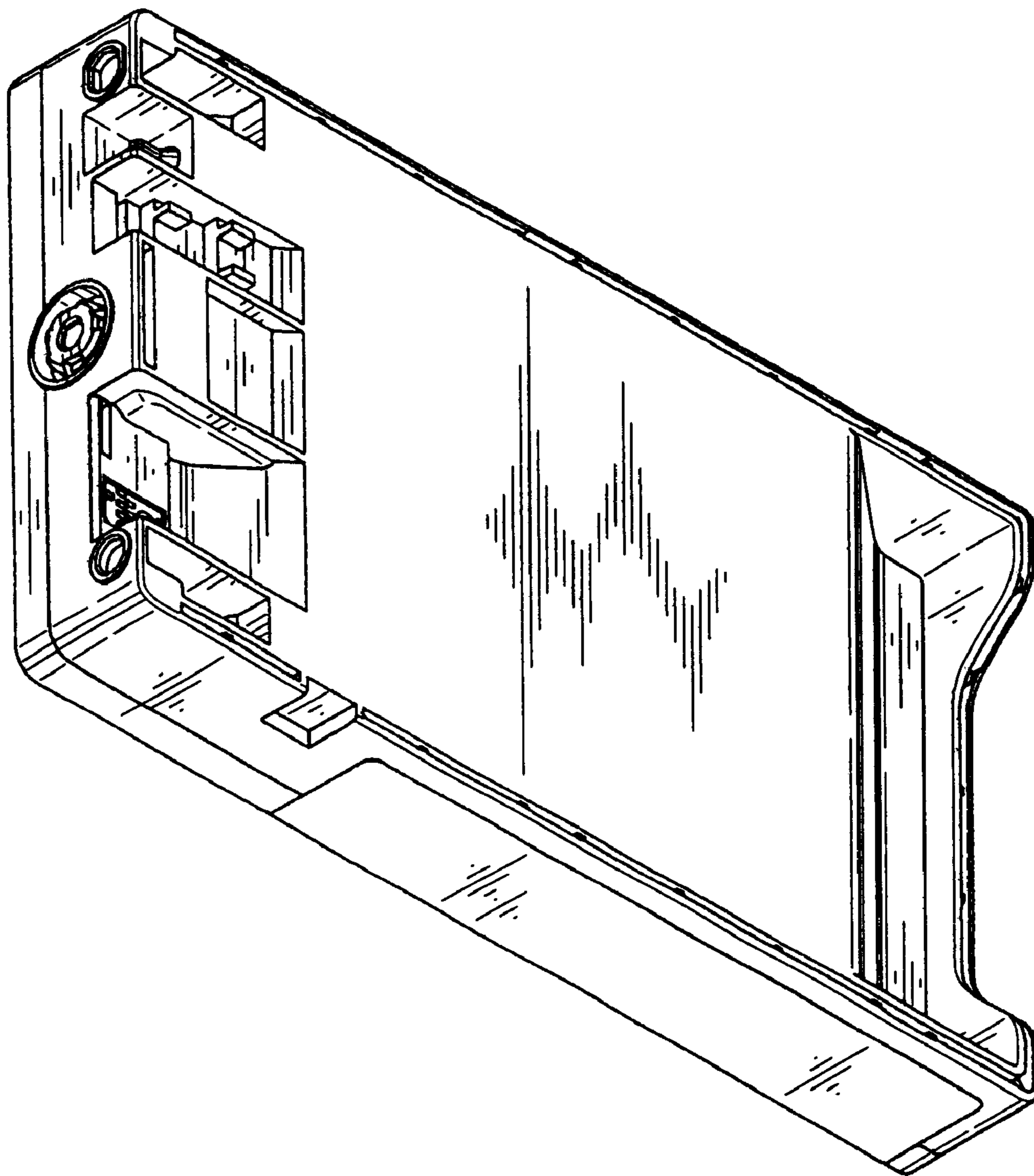


FIG. 2

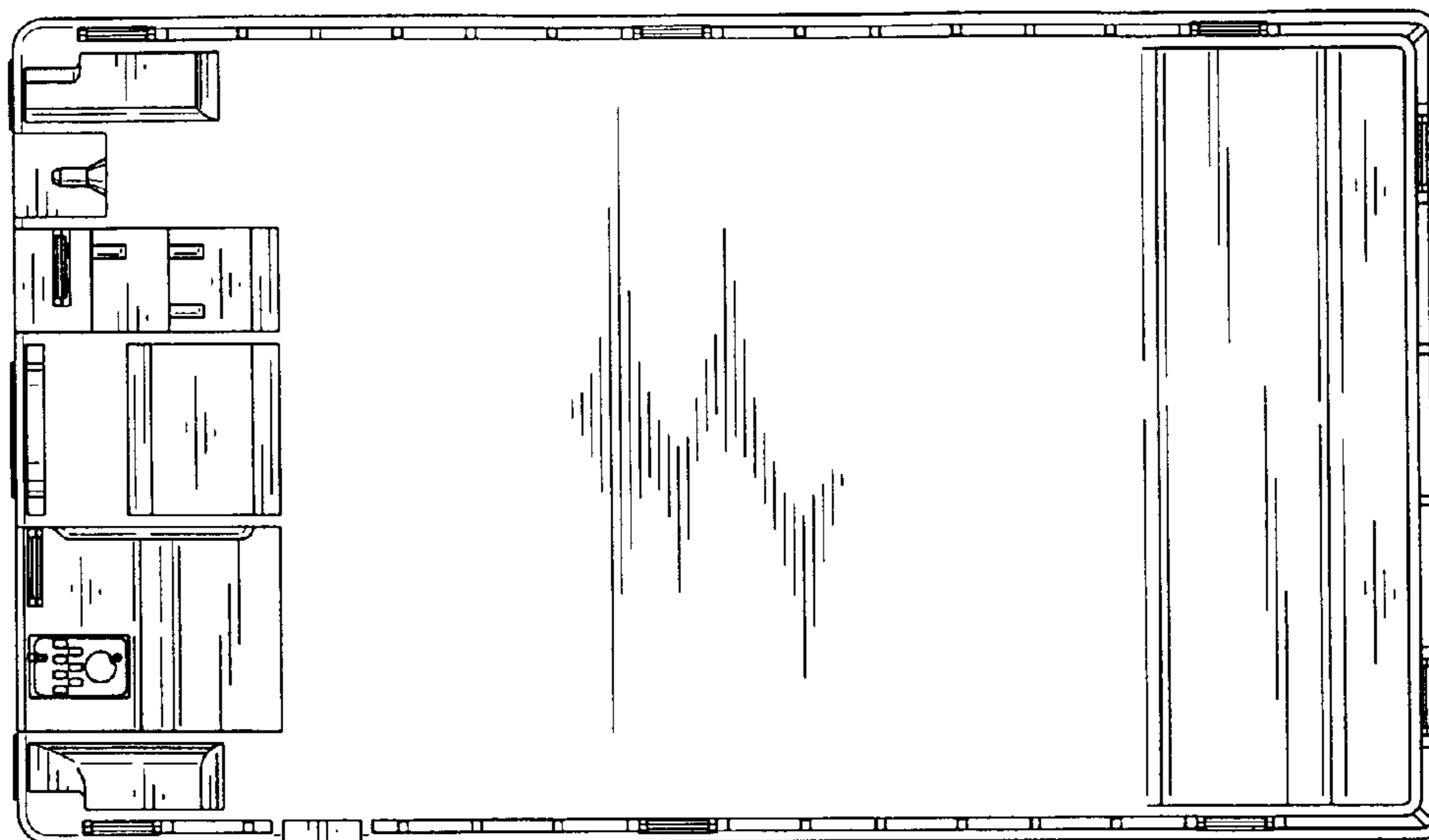


FIG. 3

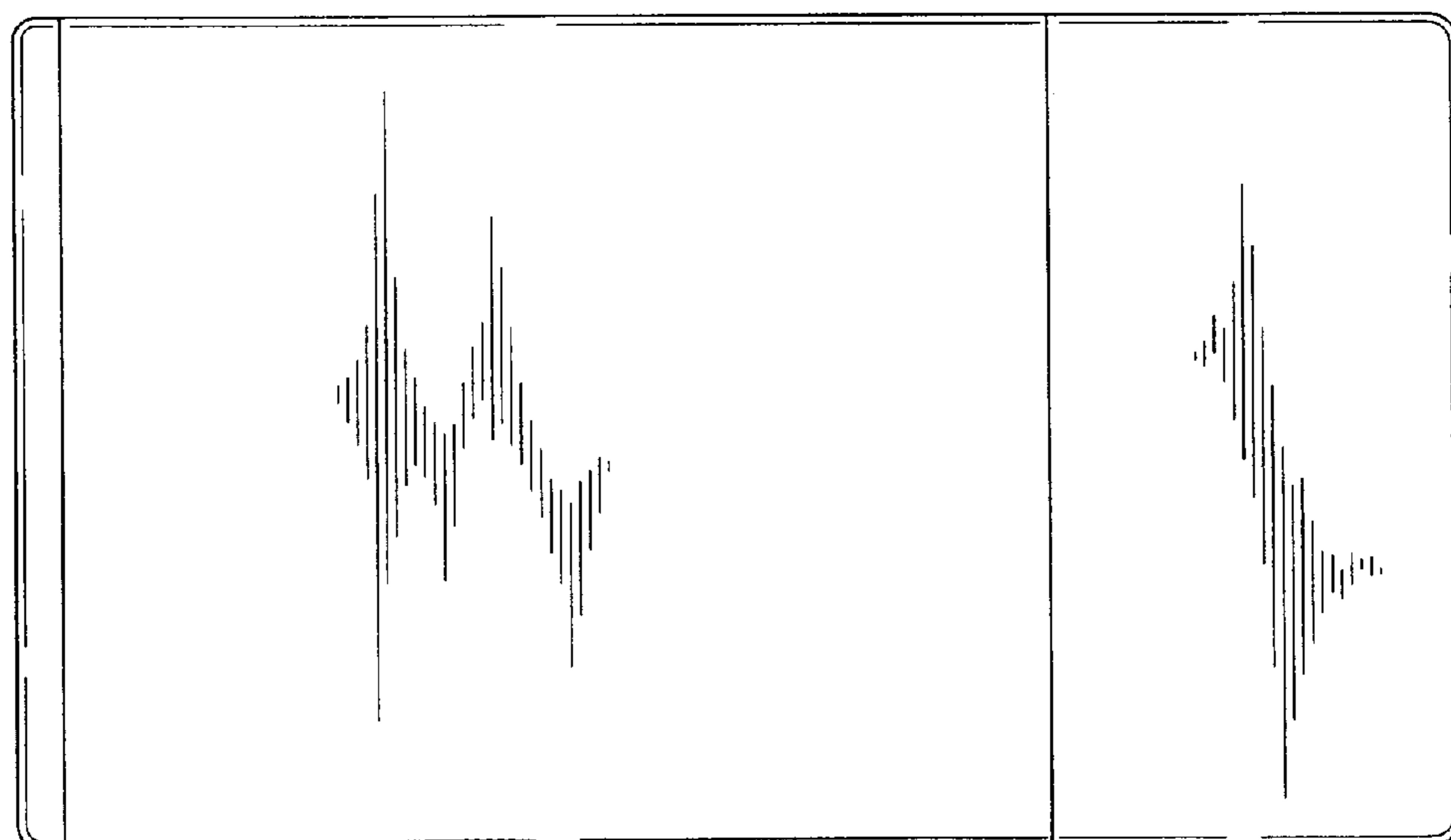


FIG. 4

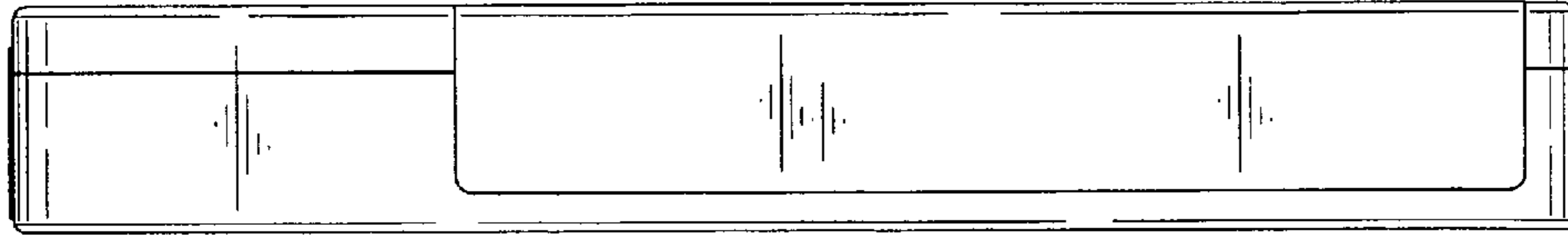


FIG. 5

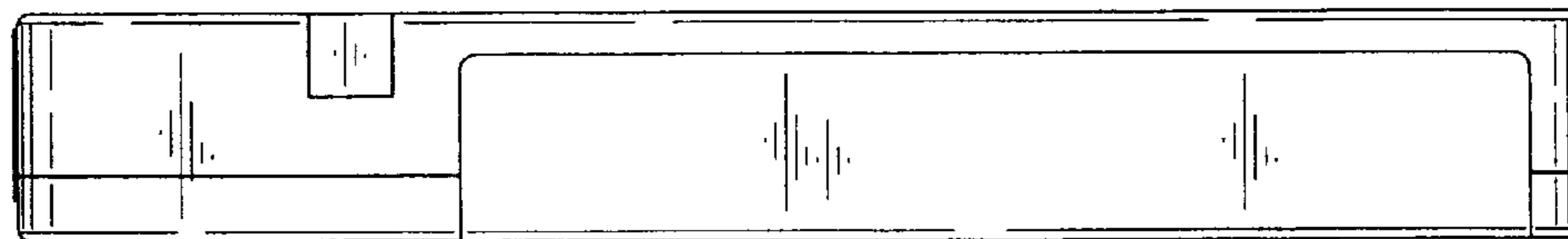


FIG. 6

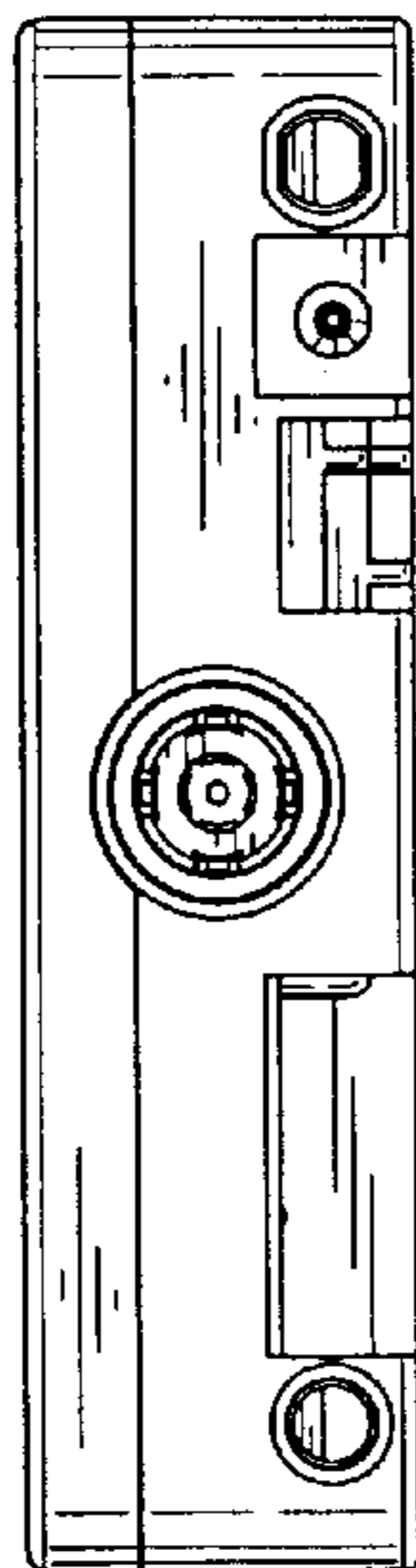


FIG. 7

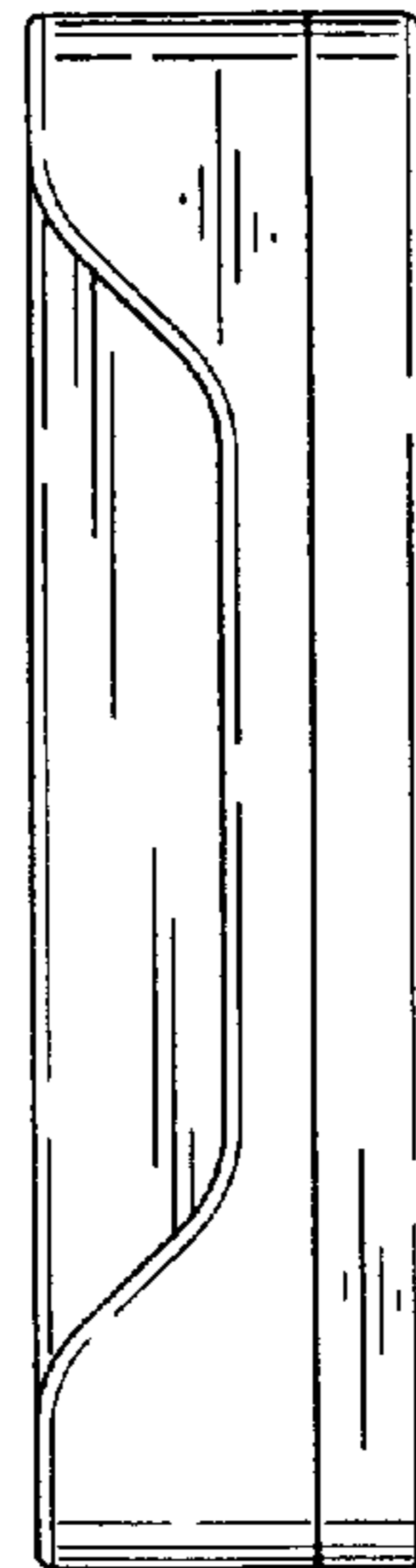


FIG. 8