



US00D529953S

(12) **United States Design Patent**
Benyou

(10) **Patent No.:** **US D529,953 S**

(45) **Date of Patent:** **** Oct. 10, 2006**

(54) **INK REFILL CARTRIDGE FOR A PRINTER**

(75) Inventor: **Jin Benyou**, GuangDong (CN)

(73) Assignee: **Print-Rite-Unicorn Image Products Co., Ltd of ZhuHai**, GuangDong (CN)

(**) Term: **14 Years**

(21) Appl. No.: **29/208,584**

(22) Filed: **Jun. 30, 2004**

(51) **LOC (8) Cl.** **18-02**

(52) **U.S. Cl.** **D18/56**

(58) **Field of Classification Search** D18/12,
D18/43, 56, 99; 347/43, 86-88, 99

See application file for complete search history.

(56) **References Cited**

U.S. PATENT DOCUMENTS

D375,523 S	*	11/1996	Murray	D18/56
D392,312 S	*	3/1998	Inoue et al.	D18/56
D395,445 S	*	6/1998	Tokuda et al.	D18/56
D419,593 S	*	1/2000	Shimizu et al.	D18/56
D430,603 S	*	9/2000	Maeda et al.	D18/56
D430,897 S	*	9/2000	Bishop et al.	D18/56

D438,241 S	*	2/2001	Shinada et al.	D18/56
D438,560 S	*	3/2001	Inoue et al.	D18/56
D448,798 S	*	10/2001	Shimizu et al.	D18/56
D456,835 S	*	5/2002	Nanjo et al.	D18/56
D462,384 S	*	9/2002	Sasaki et al.	D18/56

* cited by examiner

Primary Examiner—Louis S. Zarfes

Assistant Examiner—Anhdao Doan

(74) *Attorney, Agent, or Firm*—Fay, Sharpe, Fagan, Minnich & McKee, LLP

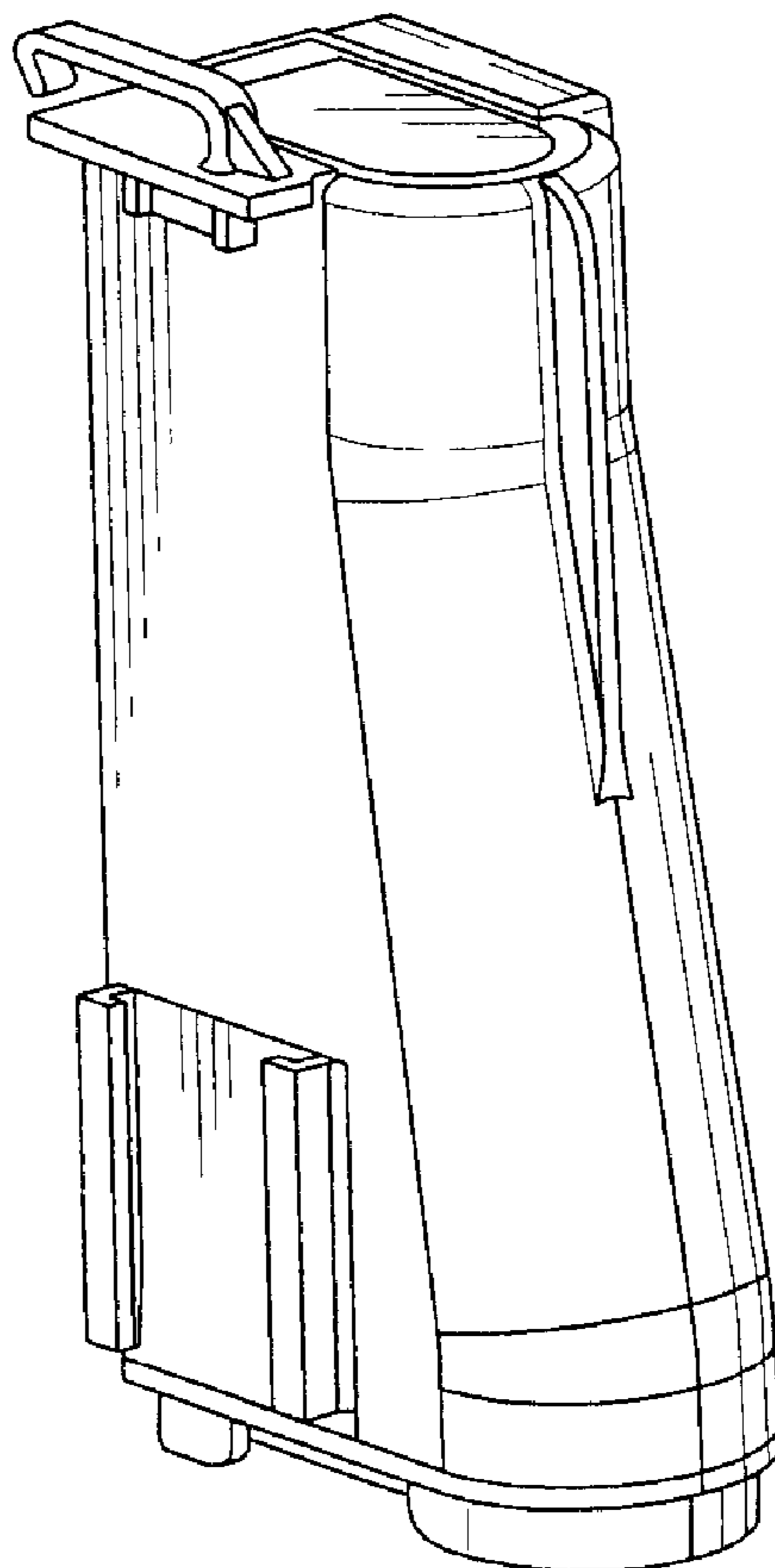
(57) **CLAIM**

The ornamental design for an ink refill cartridge for a printer, as shown and described.

DESCRIPTION

FIG. 1 is a bottom plan view of the ink refill cartridge for a printer in accordance with the invention; FIG. 2 is a right side view thereof; FIG. 3 is a front view thereof; FIG. 4 is a left side view thereof; FIG. 5 is a top plan view thereof; FIG. 6 is a rear view thereof; and, FIG. 7 is a perspective view thereof.

1 Claim, 2 Drawing Sheets



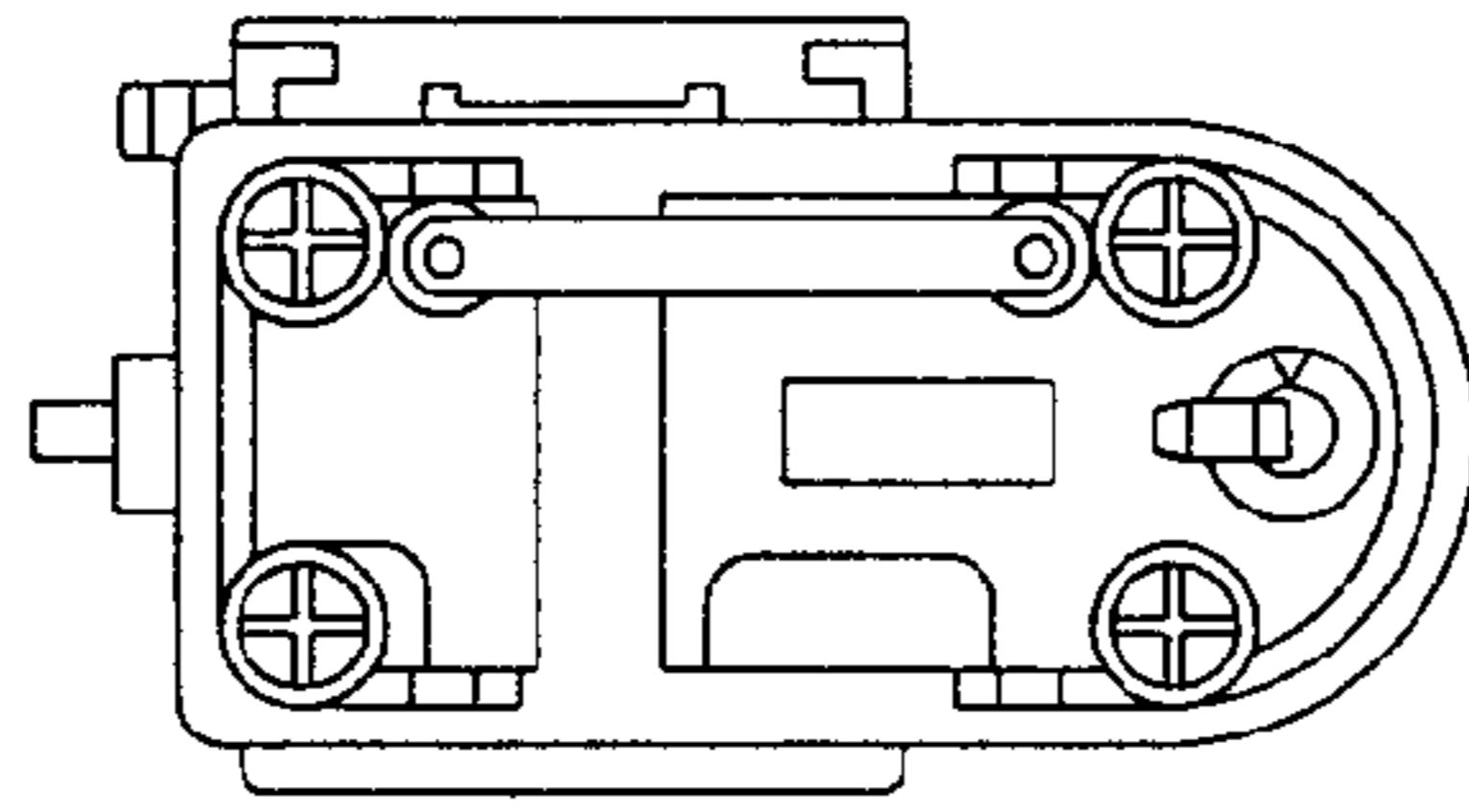


FIG. 1

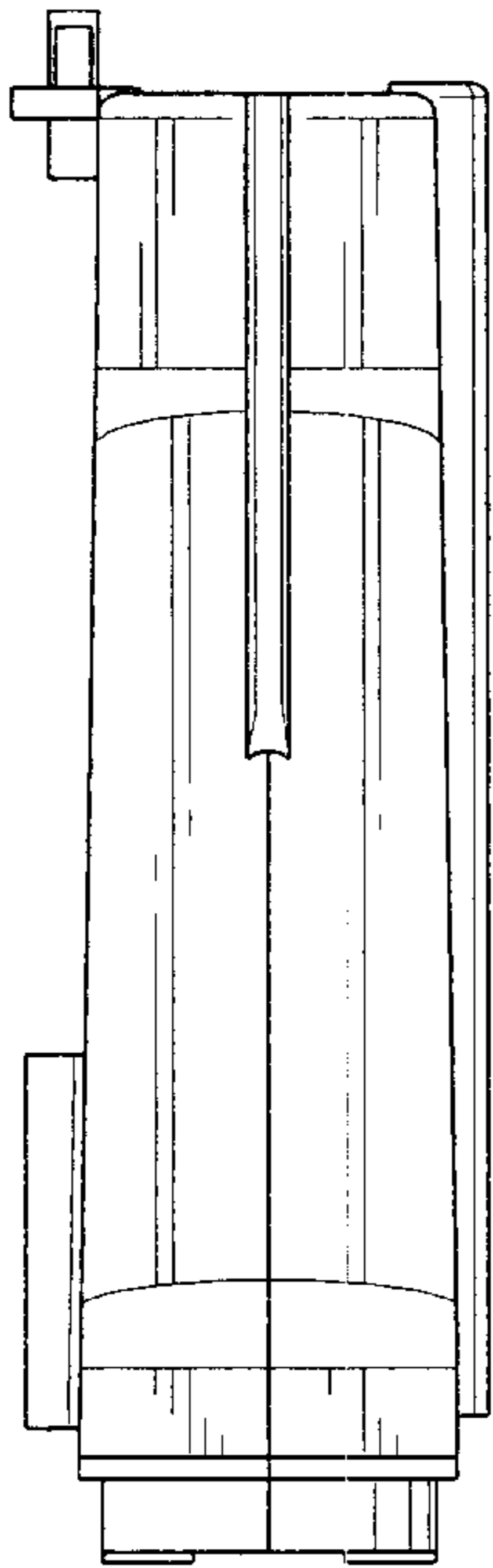


FIG. 2

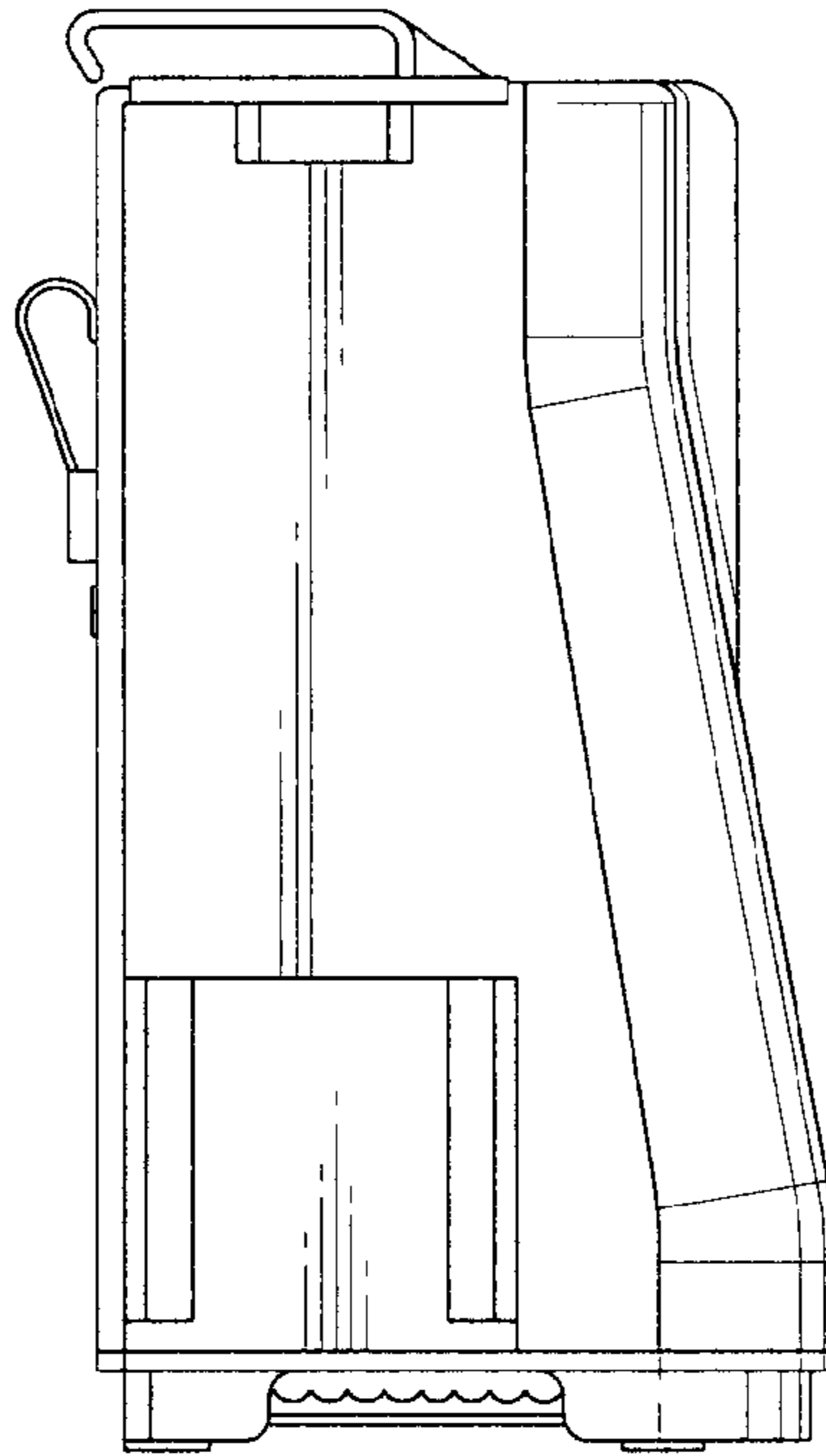


FIG. 3

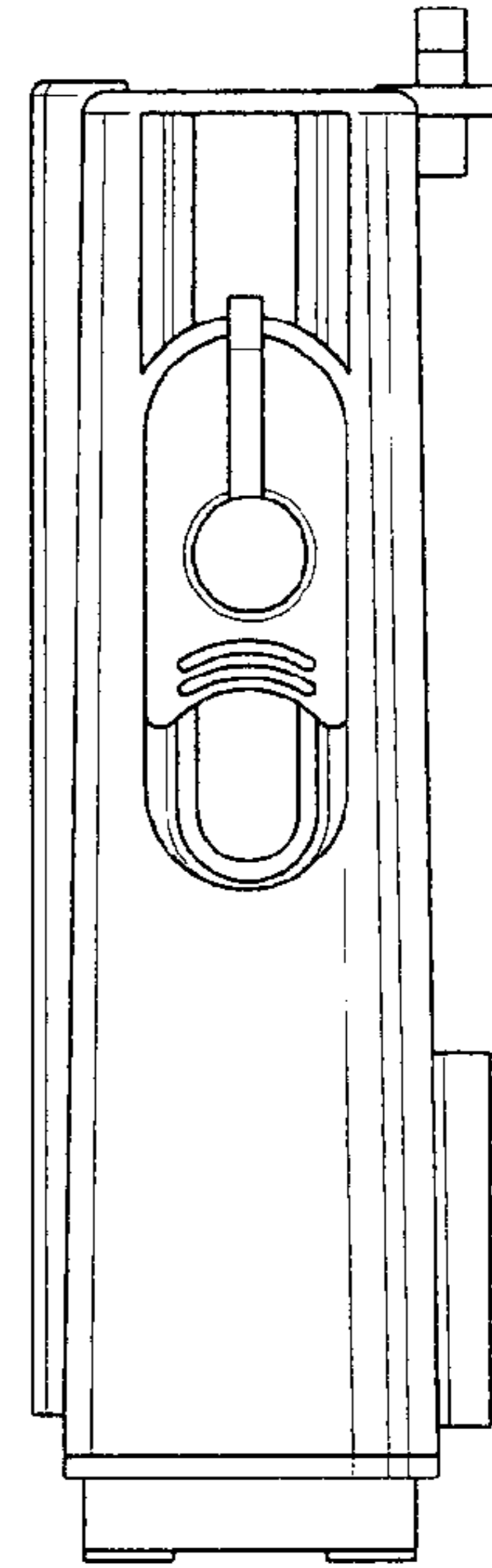


FIG. 4

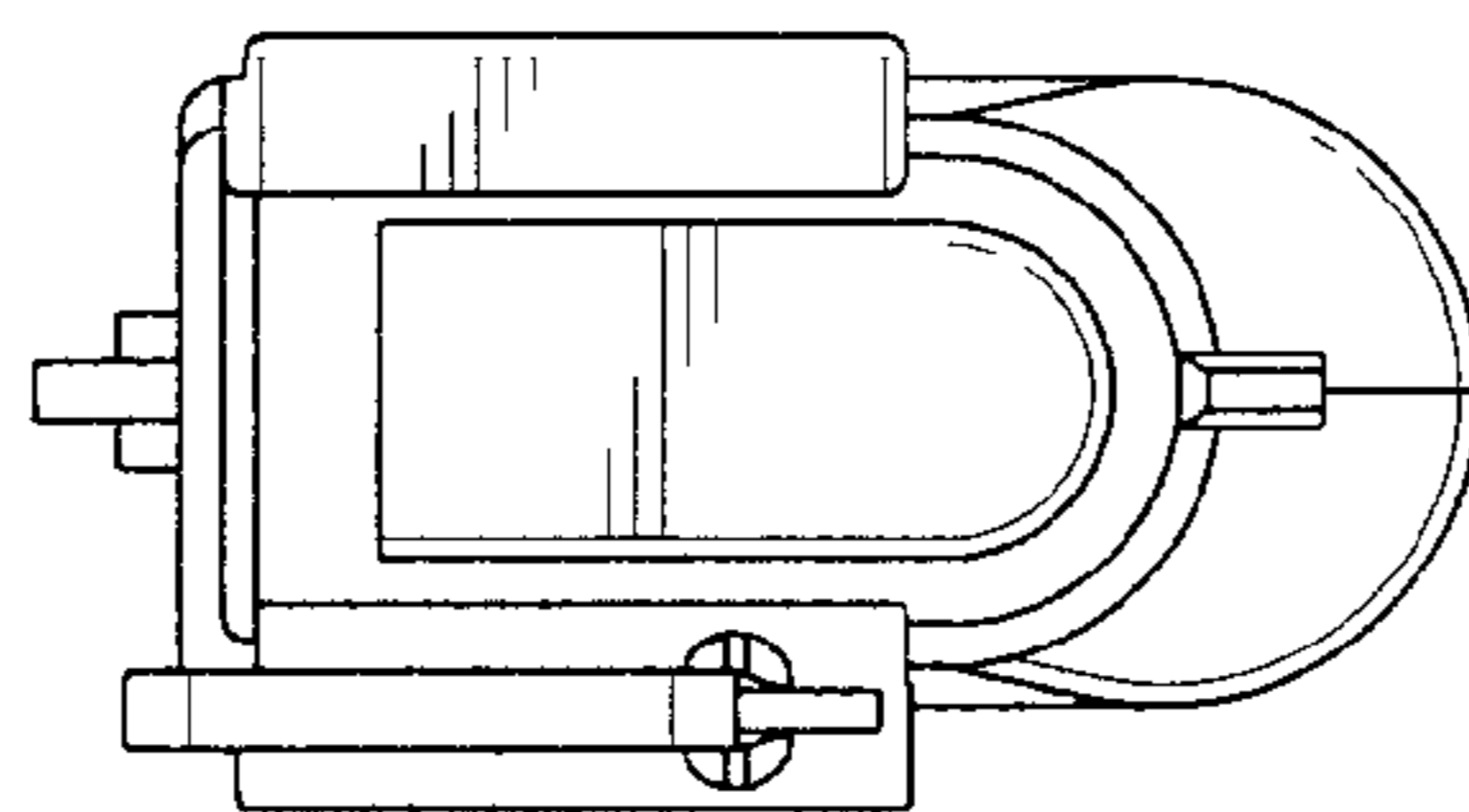


FIG. 5

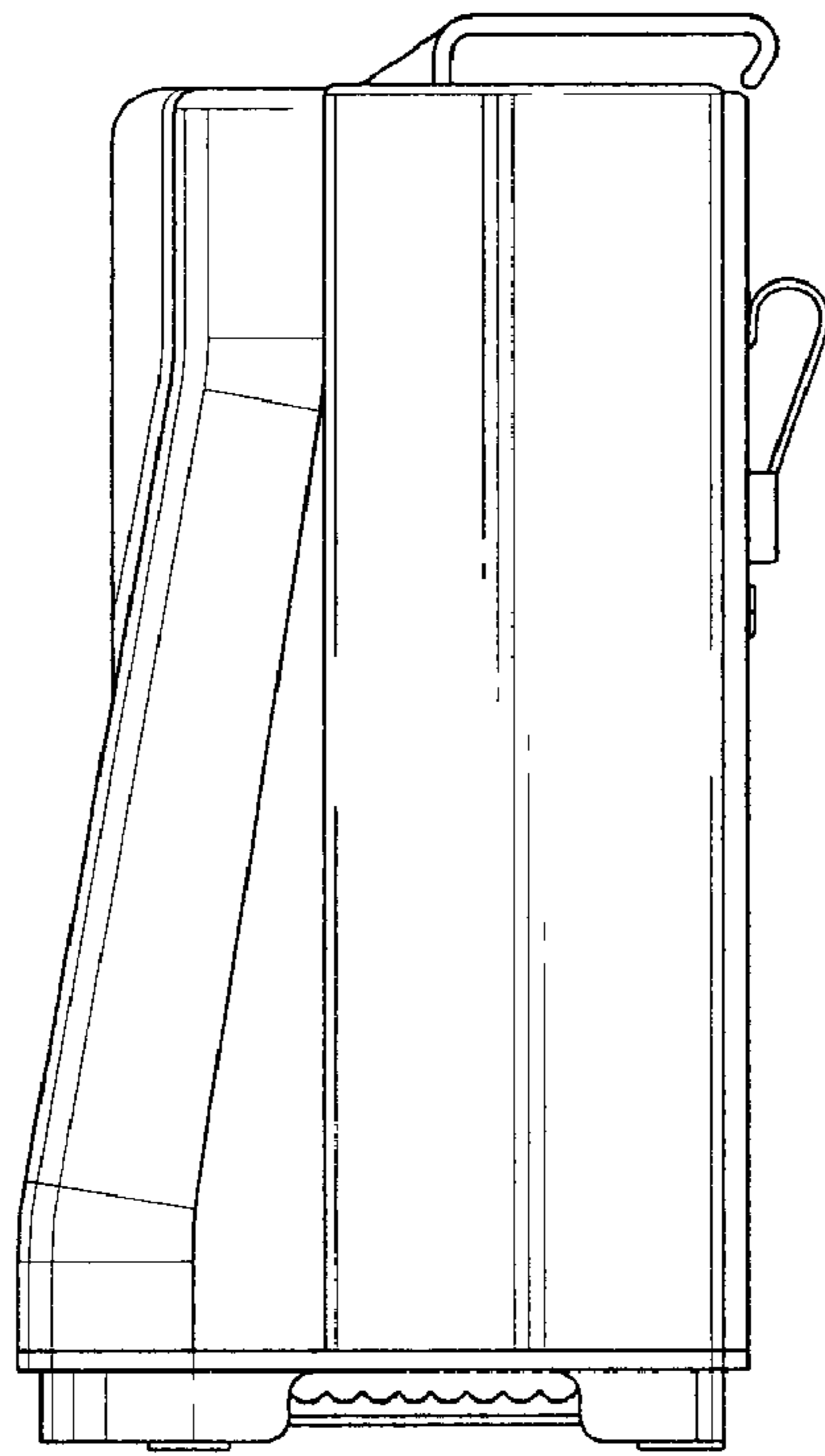


FIG. 6

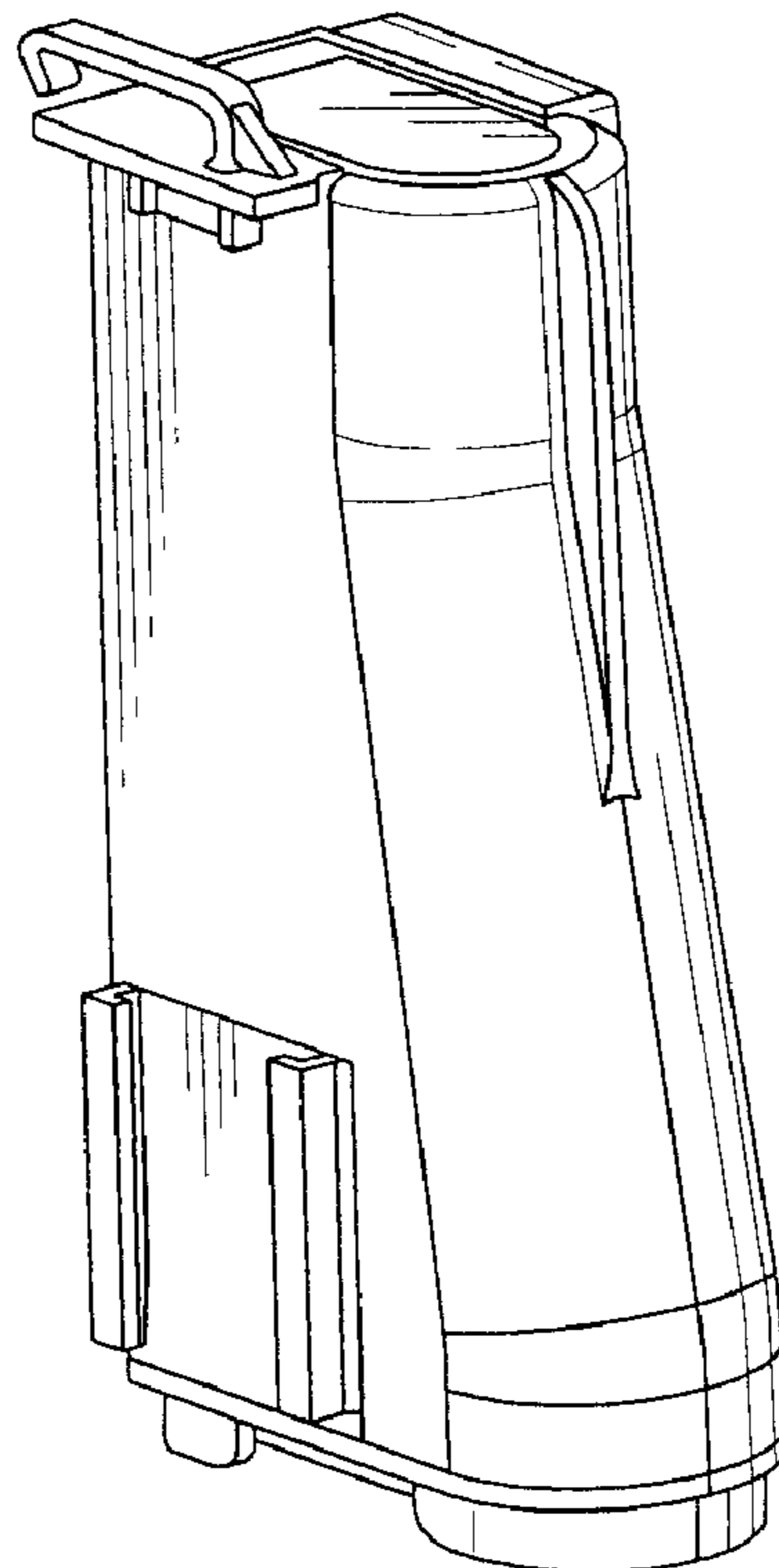


FIG. 7