



US00D529952S

(12) **United States Design Patent**
King et al.

(10) **Patent No.:** **US D529,952 S**

(45) **Date of Patent:** **** Oct. 10, 2006**

(54) **PRINTER WITH COMBINATION SCANNER
AND PRINT COLLECTION TRAY**

D478,618 S * 8/2003 Obara D18/54
D491,950 S * 6/2004 Perry et al. D14/424

(75) Inventors: **Tobin Allen King**, Balmain (AU); **Kia Silverbrook**, Balmain (AU)

* cited by examiner

Primary Examiner—Cathy Anne MacCormac

(73) Assignee: **Silverbrook Research Pty Ltd**,
Balmain (AU)

(57) **CLAIM**

The ornamental design for a printer with combination scanner and print collection tray, as shown.

(**) **Term:** **14 Years**

DESCRIPTION

(21) Appl. No.: **29/219,503**

FIG. 1 is a perspective view taken from the top, front and right side of a printer with combination scanner and printer collection tray, showing our new design;

(22) Filed: **Dec. 20, 2004**

FIG. 2 is an enlarged rear and left side perspective view thereof;

(51) **LOC (8) Cl.** **14-02**

(52) **U.S. Cl.** **D18/55; D14/422**

(58) **Field of Classification Search** D18/36–39,
D18/46–49, 53–54, 54.1, 55, 14, 19, 50–51;
D14/420–425, 462–470; 400/613, 613.1–613.4,
400/690.1–690.4, 691–694

FIG. 3 is a perspective view thereof taken from the top, front and left side, showing the paper feed tray and collection tray as they appear in use;

See application file for complete search history.

FIG. 4 is an enlarged front elevation view thereof;

FIG. 5 is an enlarged rear elevation view thereof;

FIG. 6 is a right side elevation view thereof;

FIG. 7 is a left side elevation view thereof;

FIG. 8 is a top plan view thereof; and,

FIG. 9 is a bottom view thereof.

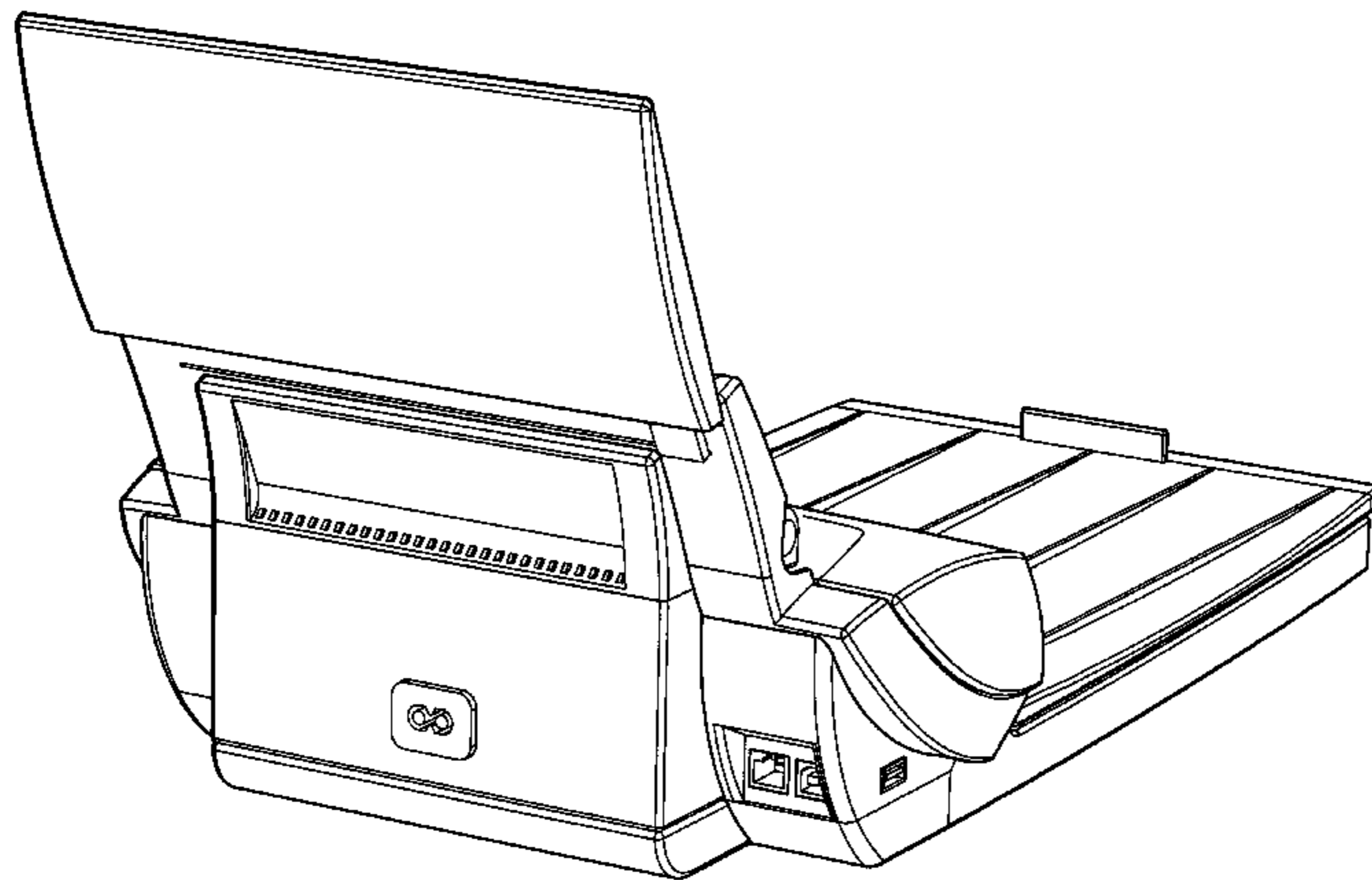
The broken lines are for illustration only and form no part of the claimed design.

(56) **References Cited**

U.S. PATENT DOCUMENTS

| | | | | | | |
|-----------|---|---|--------|------------------|-------|---------|
| 4,754,293 | A | * | 6/1988 | Aizawa et al. | | D18/36 |
| D361,554 | S | * | 8/1995 | Mochizuki et al. | | D14/422 |
| D369,148 | S | * | 4/1996 | Chen et al. | | D14/422 |
| D422,570 | S | * | 4/2000 | Kobayashi | | D14/422 |
| D474,770 | S | * | 5/2003 | Chujou et al. | | D14/425 |
| D475,052 | S | * | 5/2003 | Chujou et al. | | D14/422 |

1 Claim, 9 Drawing Sheets



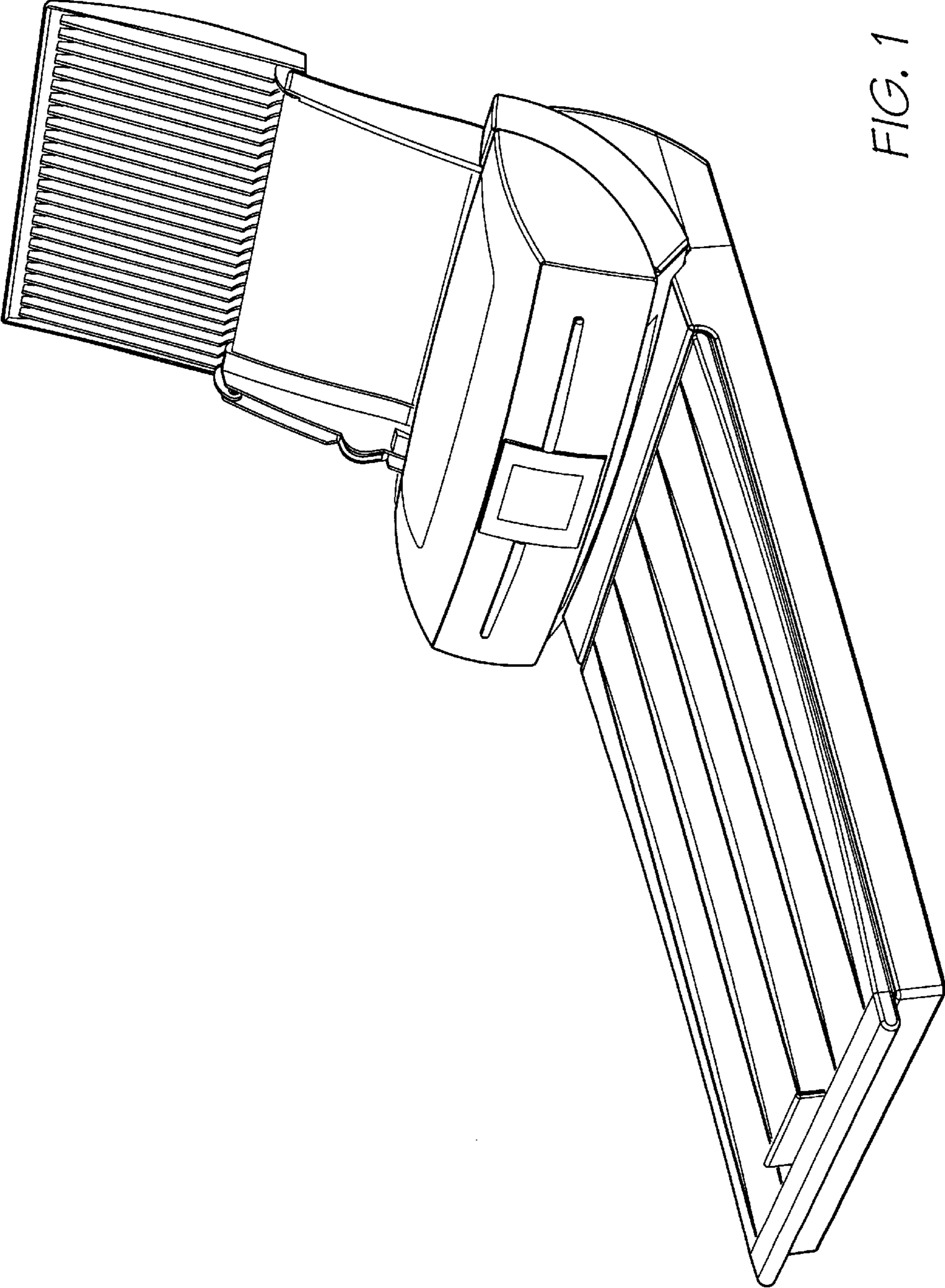


FIG. 1

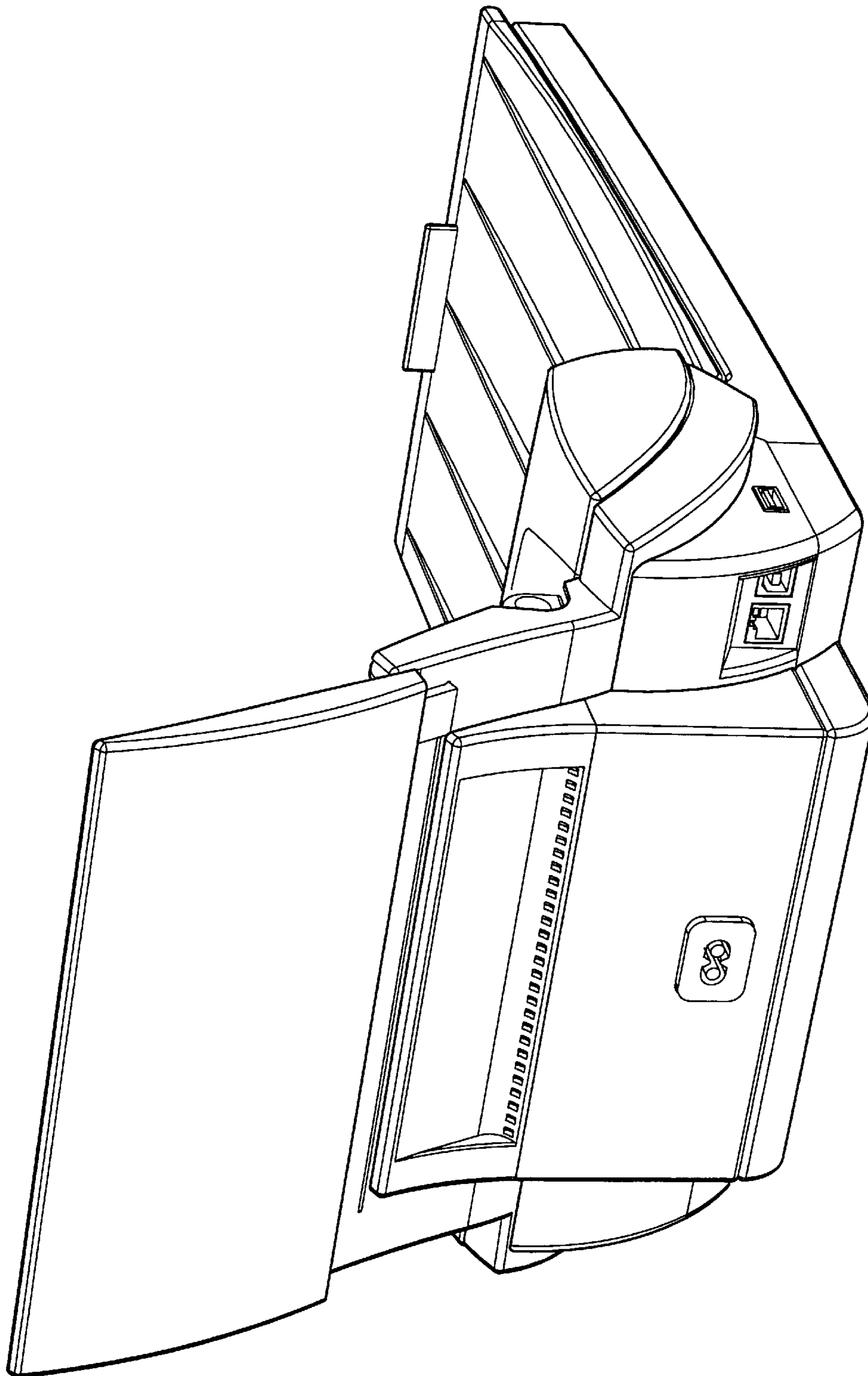


FIG. 2

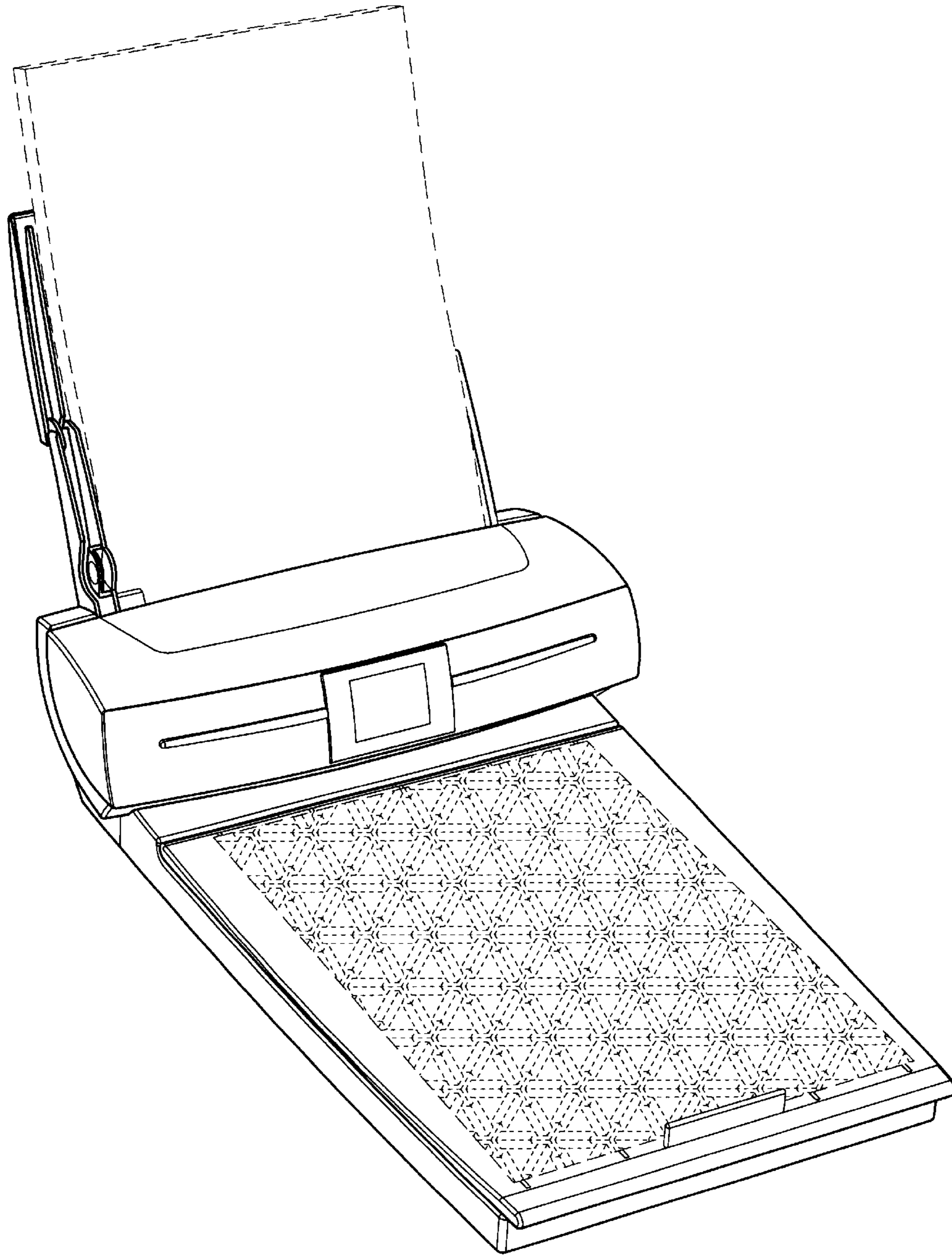


FIG. 3

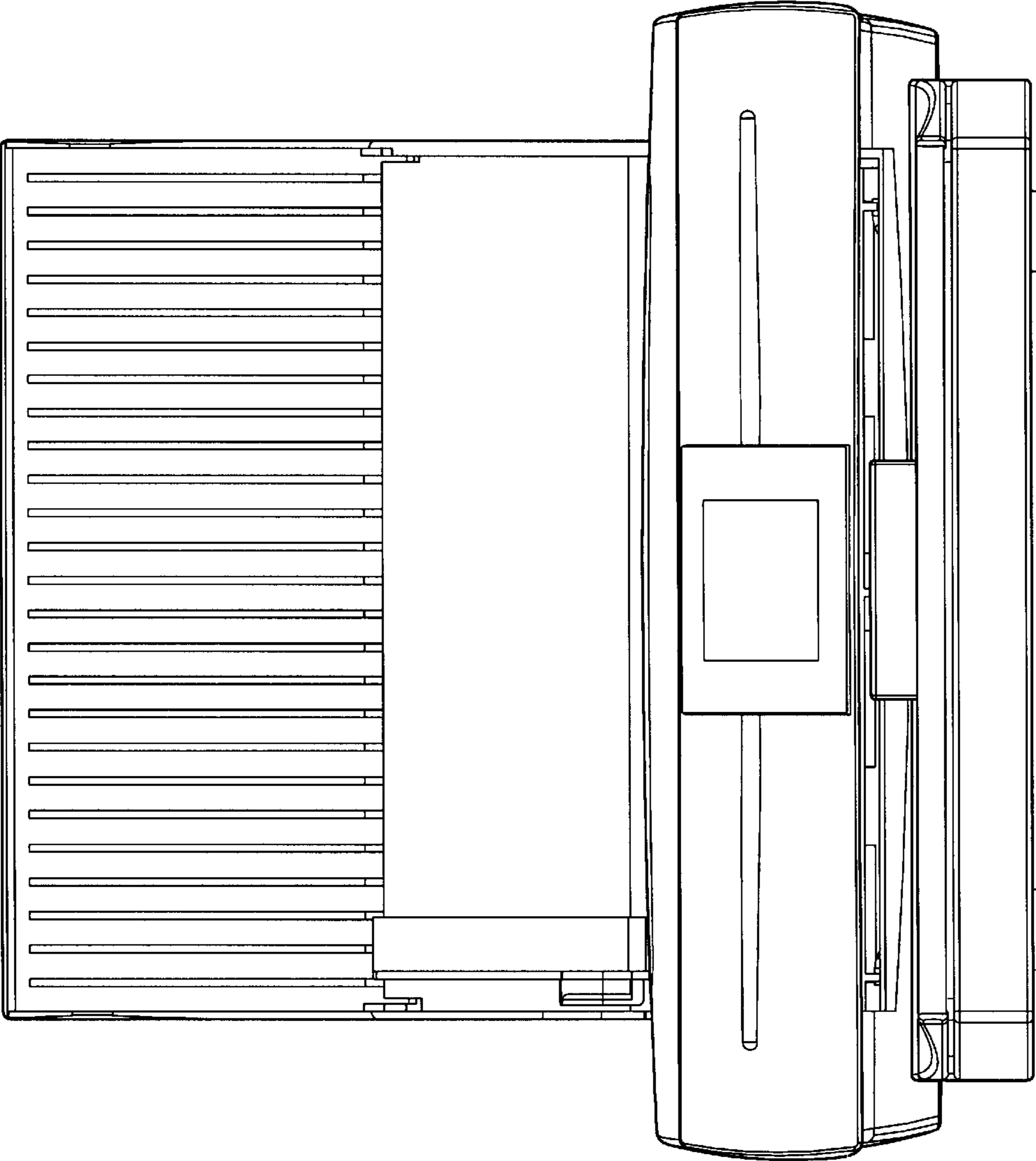


FIG. 4

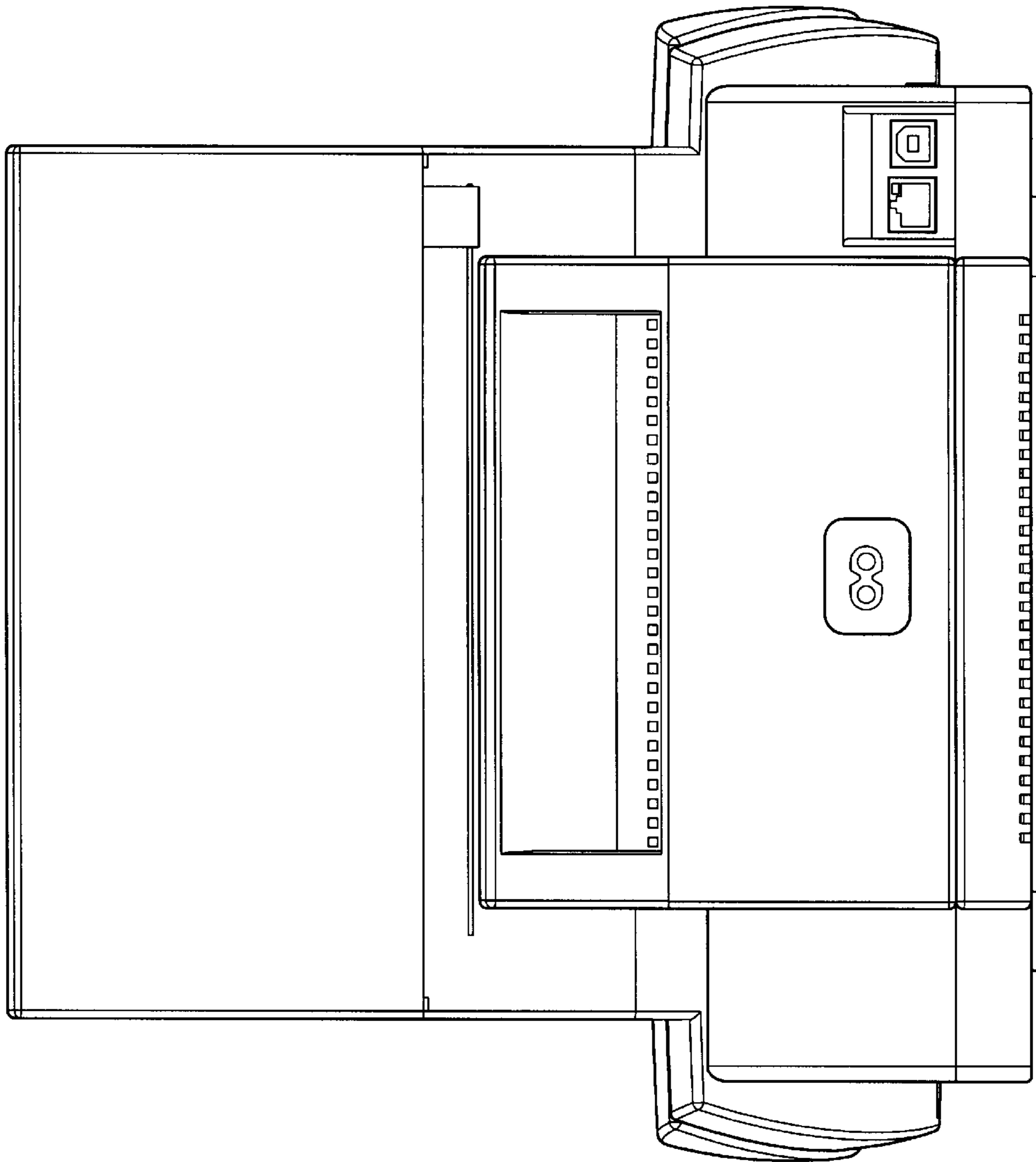


FIG. 5

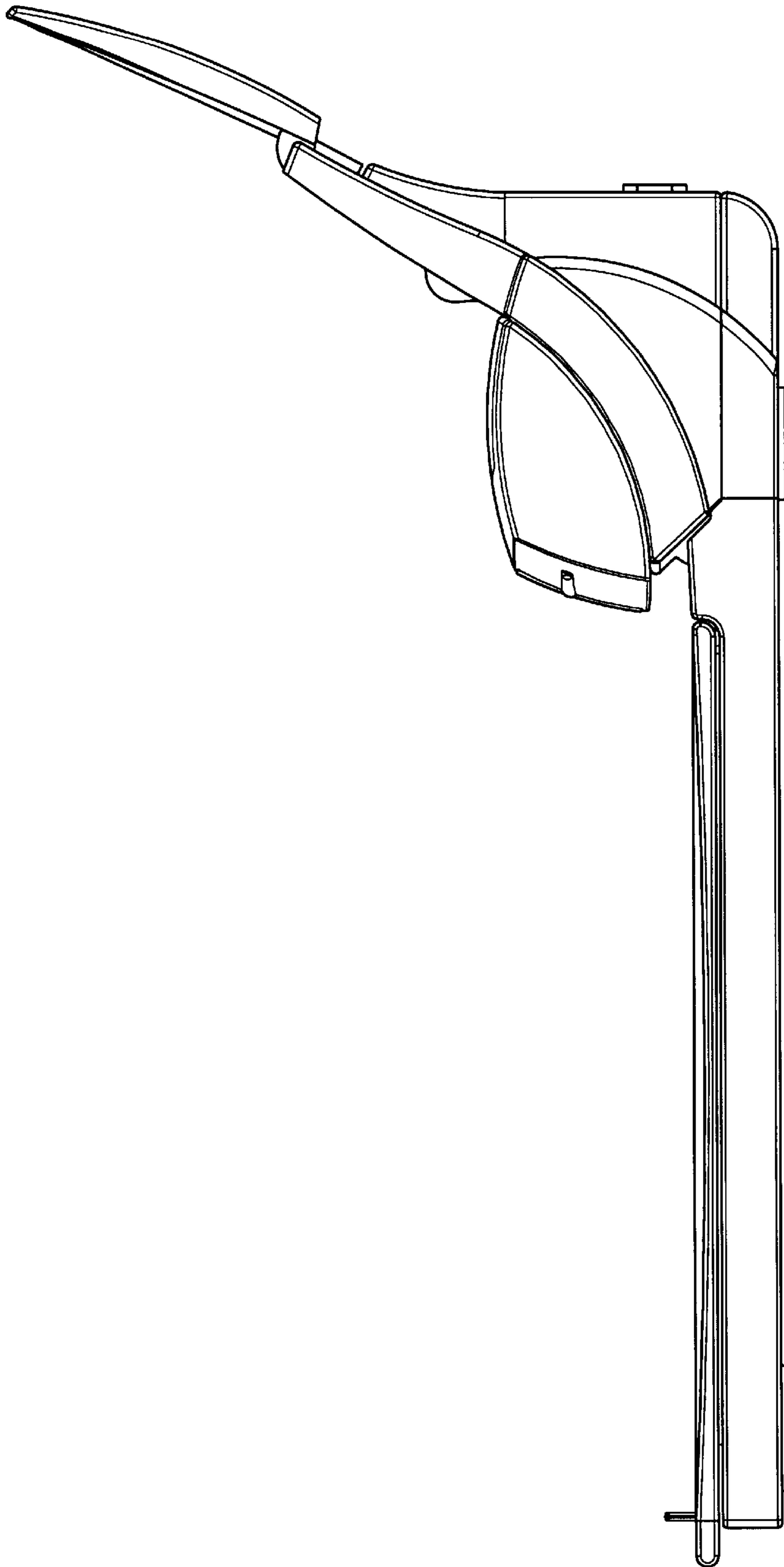


FIG. 6

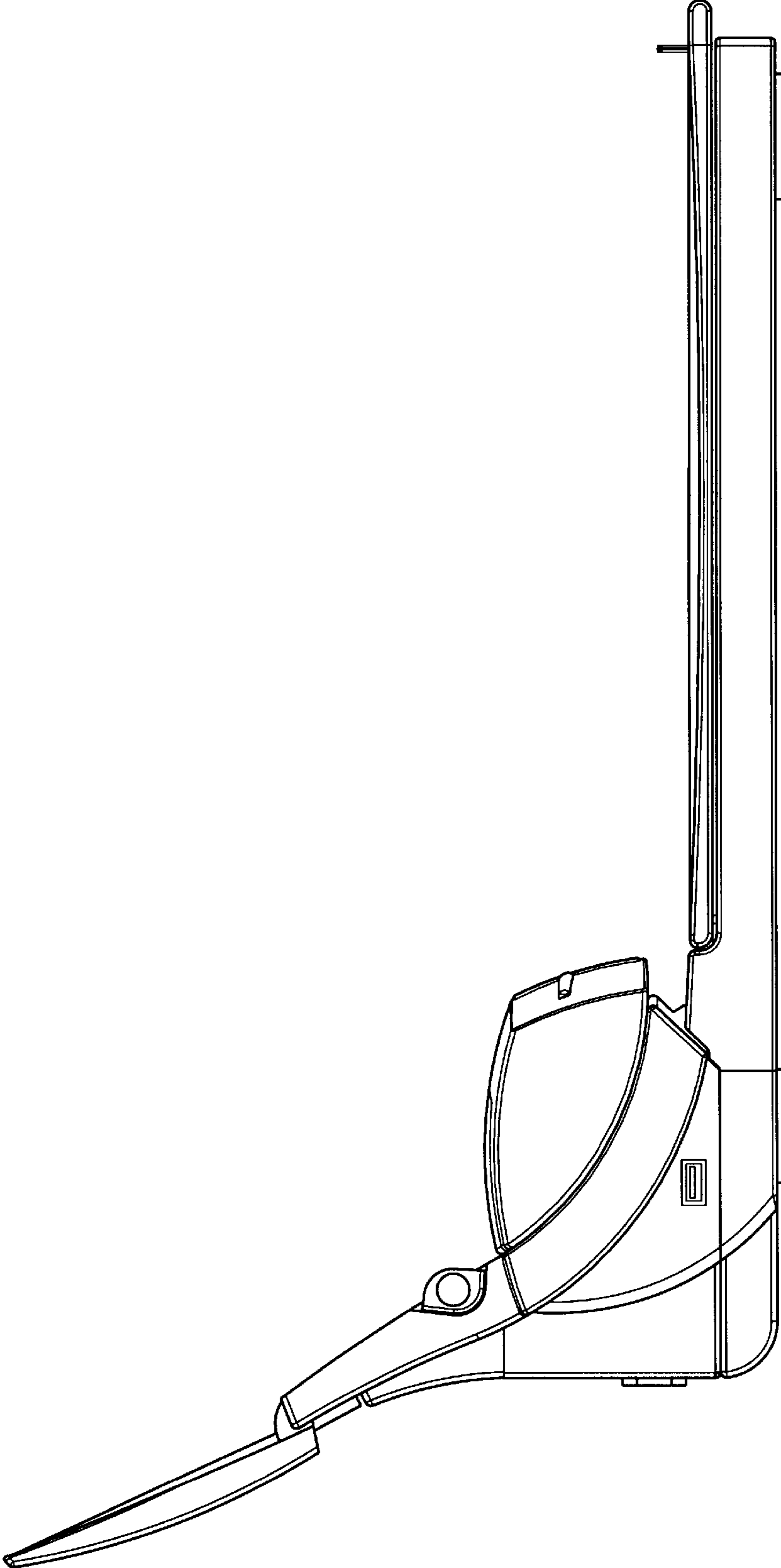


FIG. 7

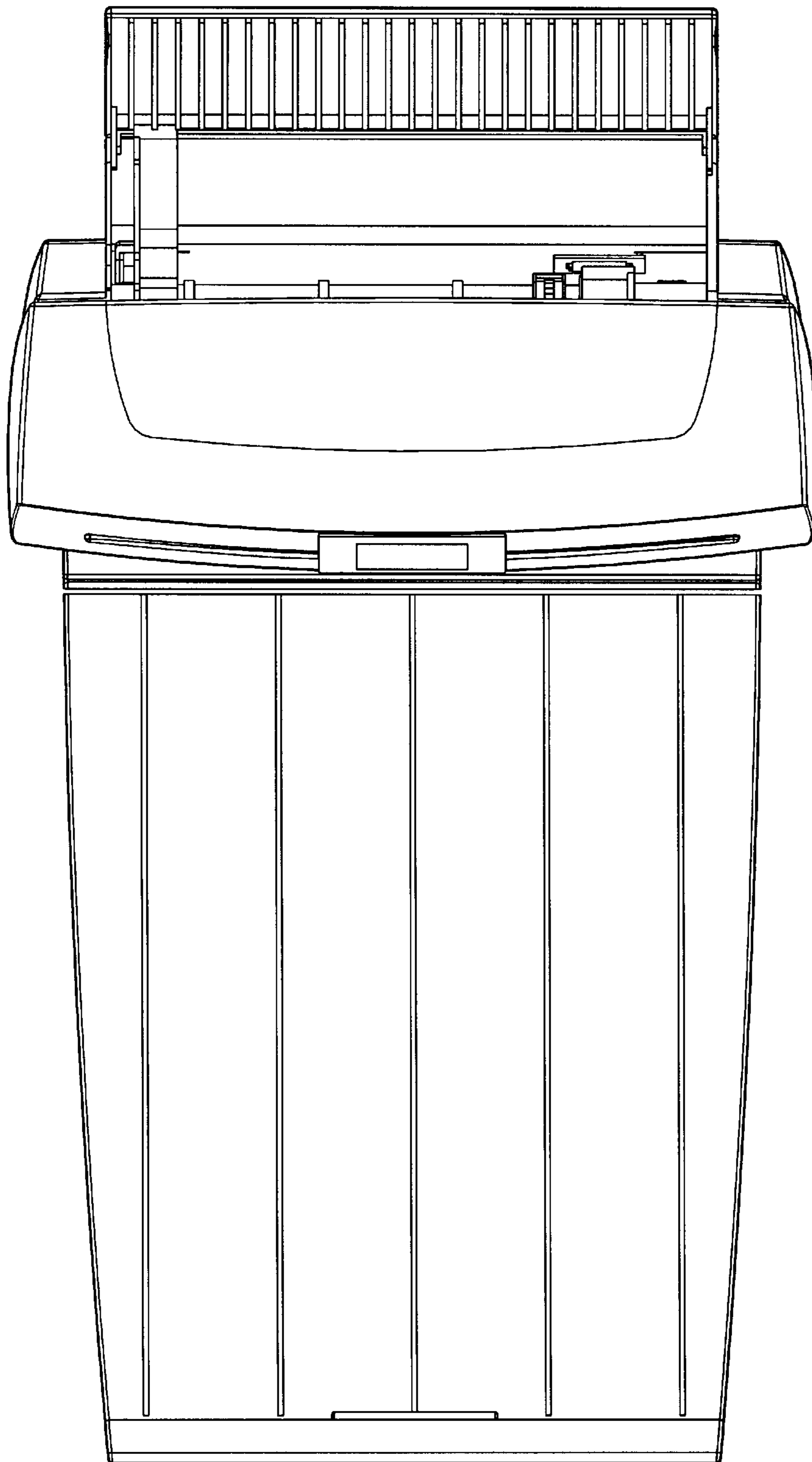


FIG. 8

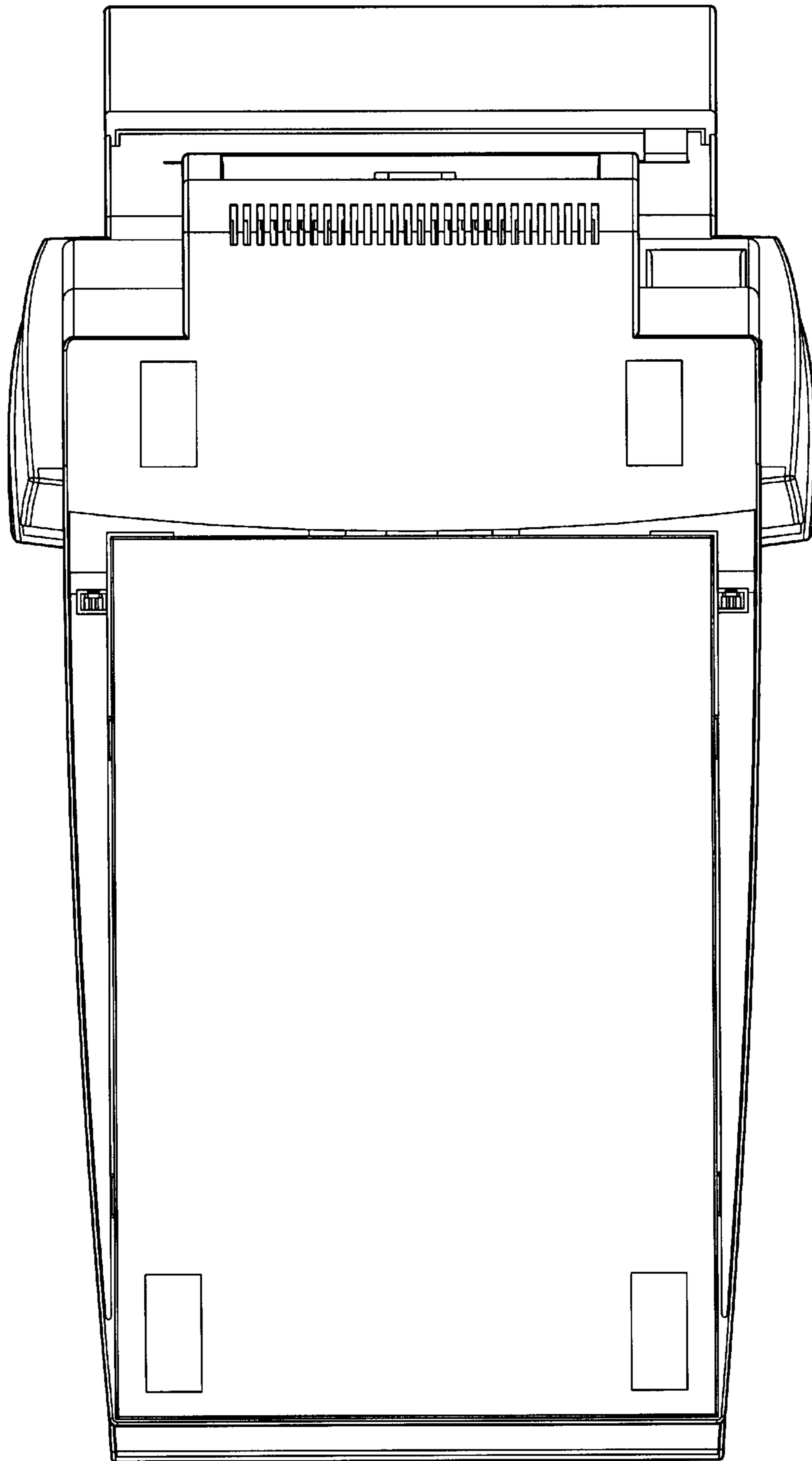


FIG. 9