



US00D529951S

(12) **United States Design Patent**
Katayama et al.

(10) **Patent No.:** **US D529,951 S**
(45) **Date of Patent:** **** Oct. 10, 2006**

(54) **PRINTER**

(75) Inventors: **Shigeharu Katayama**, Kakamigahara (JP); **Shinji Kojima**, Kyoto (JP); **Takamitsu Ikematsu**, Naka-gun (JP); **Kazuhiko Hiraoka**, Kodaira (JP)

(73) Assignees: **Brother Industries, Ltd.**, Nagoya (JP); **Ricoh Printing Systems, Ltd.**, Tokyo (JP)

(**) Term: **14 Years**

(21) Appl. No.: **29/230,630**

(22) Filed: **May 25, 2005**

(30) **Foreign Application Priority Data**

Dec. 28, 2004 (JP) 2004-040373

(51) **LOC (8) Cl.** **18-02**

(52) **U.S. Cl.** **D18/53**

(58) **Field of Classification Search** D18/53,
D18/50, 51, 38, 39; D14/463, 303; 355/78;
400/613.1-613.4, 691-694, 690.1-690.4
See application file for complete search history.

(56) **References Cited**

U.S. PATENT DOCUMENTS

D390,256 S * 2/1998 Shibata D18/39
D421,043 S * 2/2000 Shibata et al. D18/39
D456,444 S * 2/2000 Shibata et al. D18/39
D465,801 S * 4/2000 Takimura D18/39

D436,369 S * 1/2001 Susaki et al. D18/39
D483,402 S * 1/2001 Sasaki et al. D18/39
D491,980 S * 5/2001 Yoshida et al. D18/53
D443,635 S * 6/2001 Ogawa et al. D18/39
D494,211 S * 6/2001 Kusanagi et al. D18/53
D497,943 S * 7/2001 Takenouchi et al. D18/53
D501,667 S * 9/2001 Hatanaka et al. D18/39
D450,709 S * 11/2001 Nakamura et al. D18/53
D502,210 S * 11/2001 Shiozaki D18/39
D502,500 S * 4/2002 Folk et al. D18/53
D516,081 S * 11/2004 Yoshida et al. D18/53

* cited by examiner

Primary Examiner—Charles A. Rademaker

(74) *Attorney, Agent, or Firm*—Oliff & Berridge, PLC

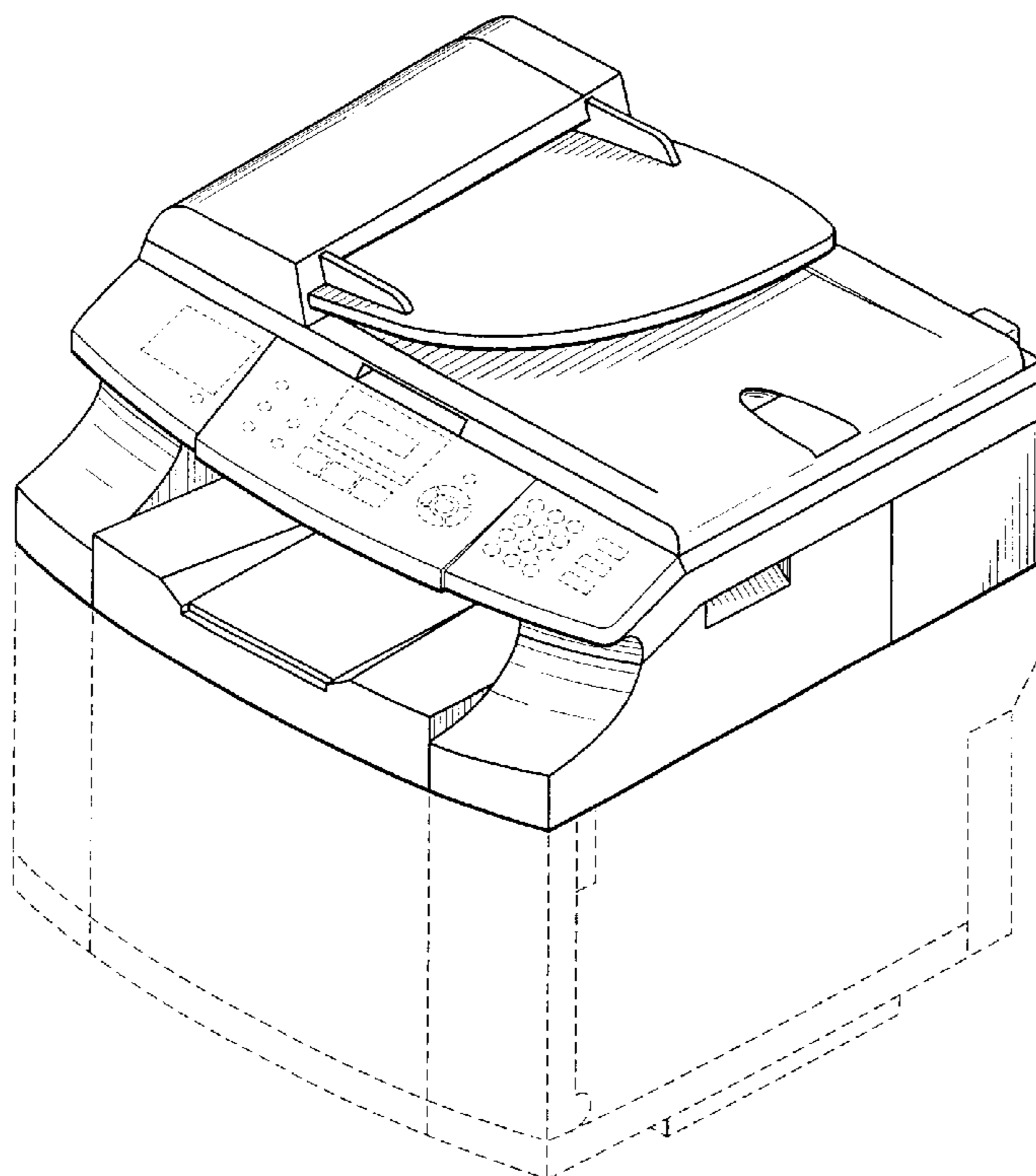
(57) **CLAIM**

The ornamental design for a printer, as shown and described.

DESCRIPTION

FIG. 1 is a perspective view of a printer;
FIG. 2 is a front view thereof;
FIG. 3 is a top view thereof;
FIG. 4 is a right side view thereof;
FIG. 5 is a left side view thereof;
FIG. 6 is a rear view thereof;
FIG. 7 is a bottom view thereof; and,
FIG. 8 is a top view similar to FIG. 3 with a manual paper stop in an open position.
The broken lines are for illustrative purposes only, and form no part of the claimed design.

1 Claim, 5 Drawing Sheets



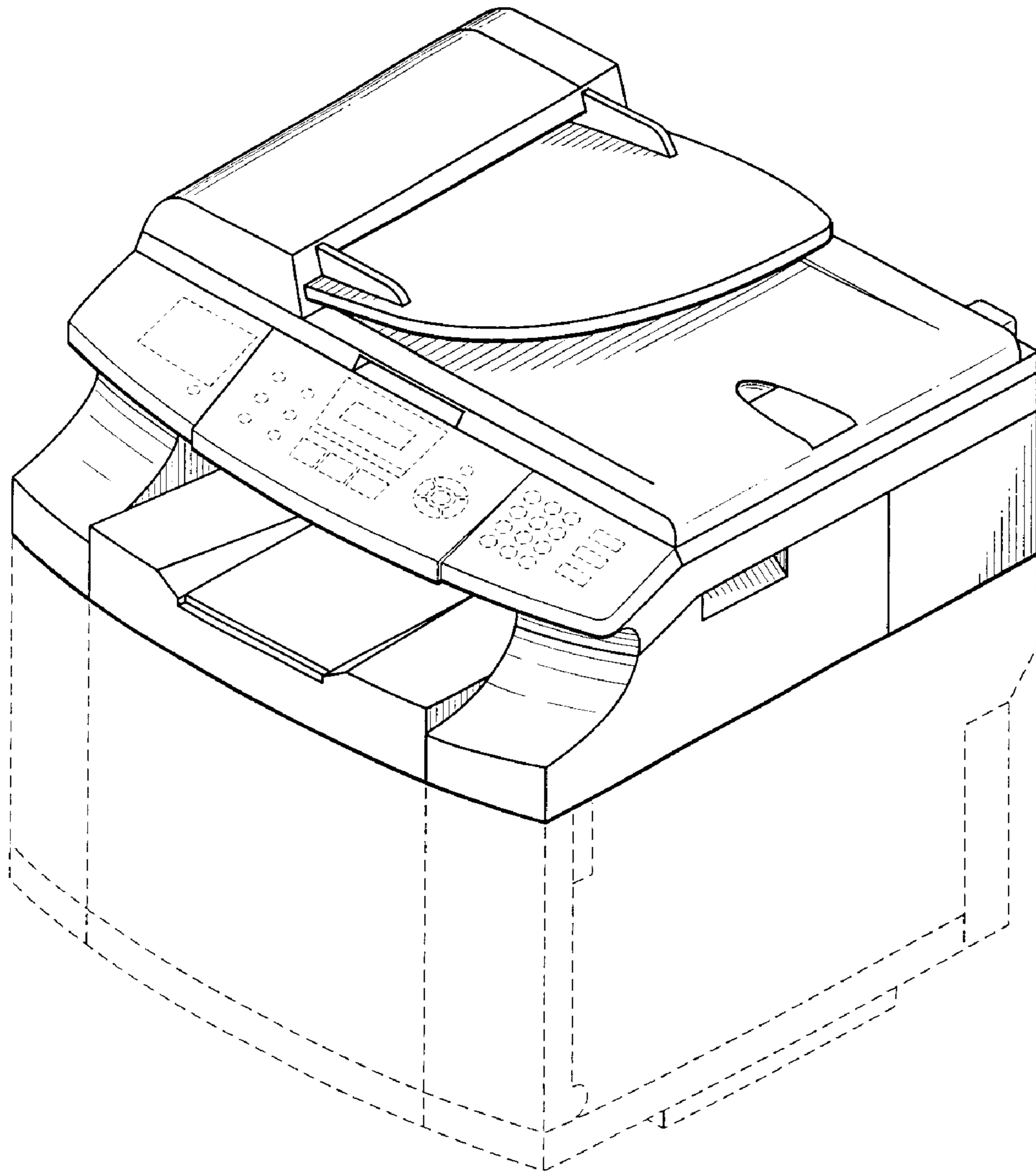


FIG. 1

FIG. 2

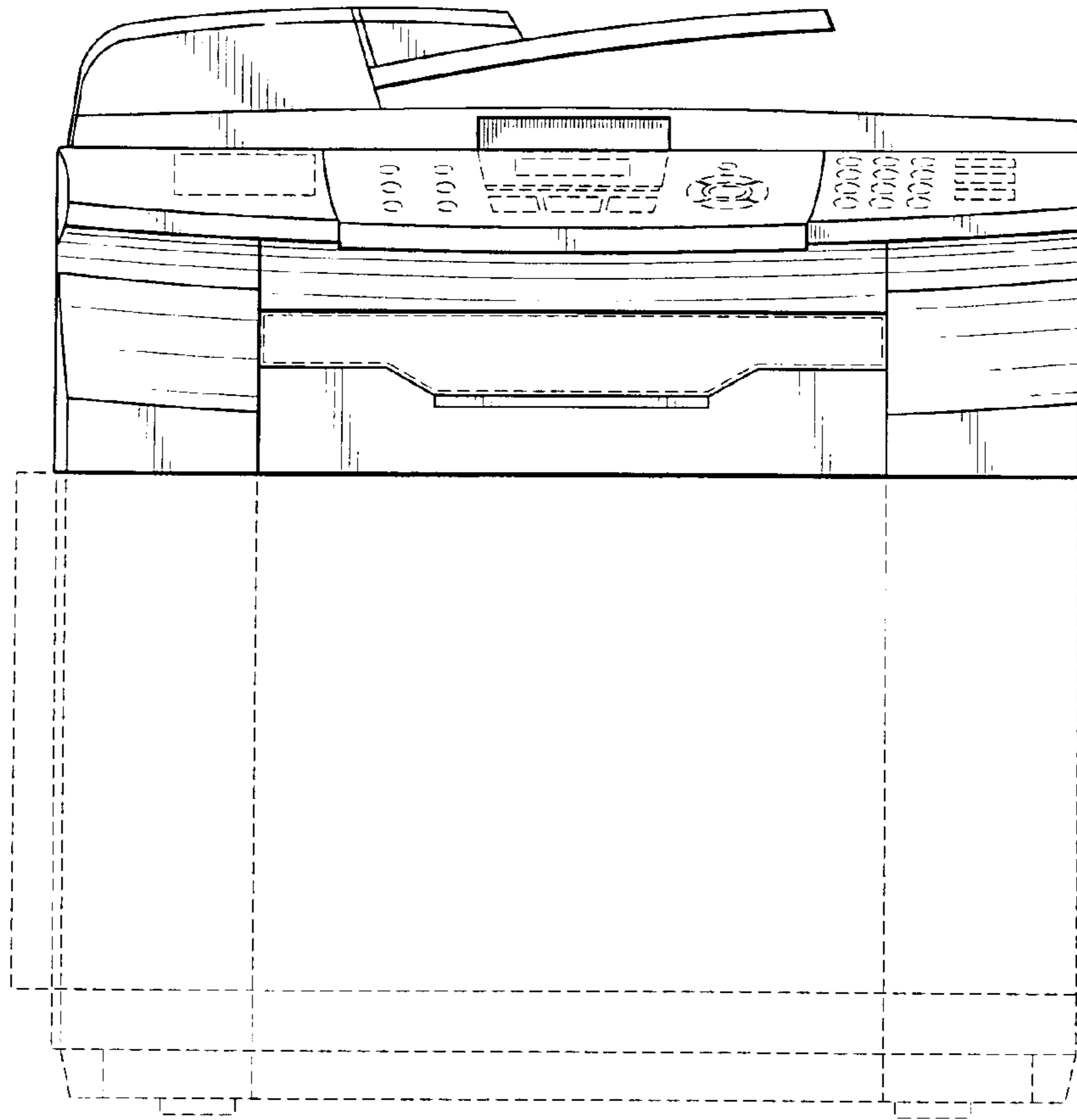
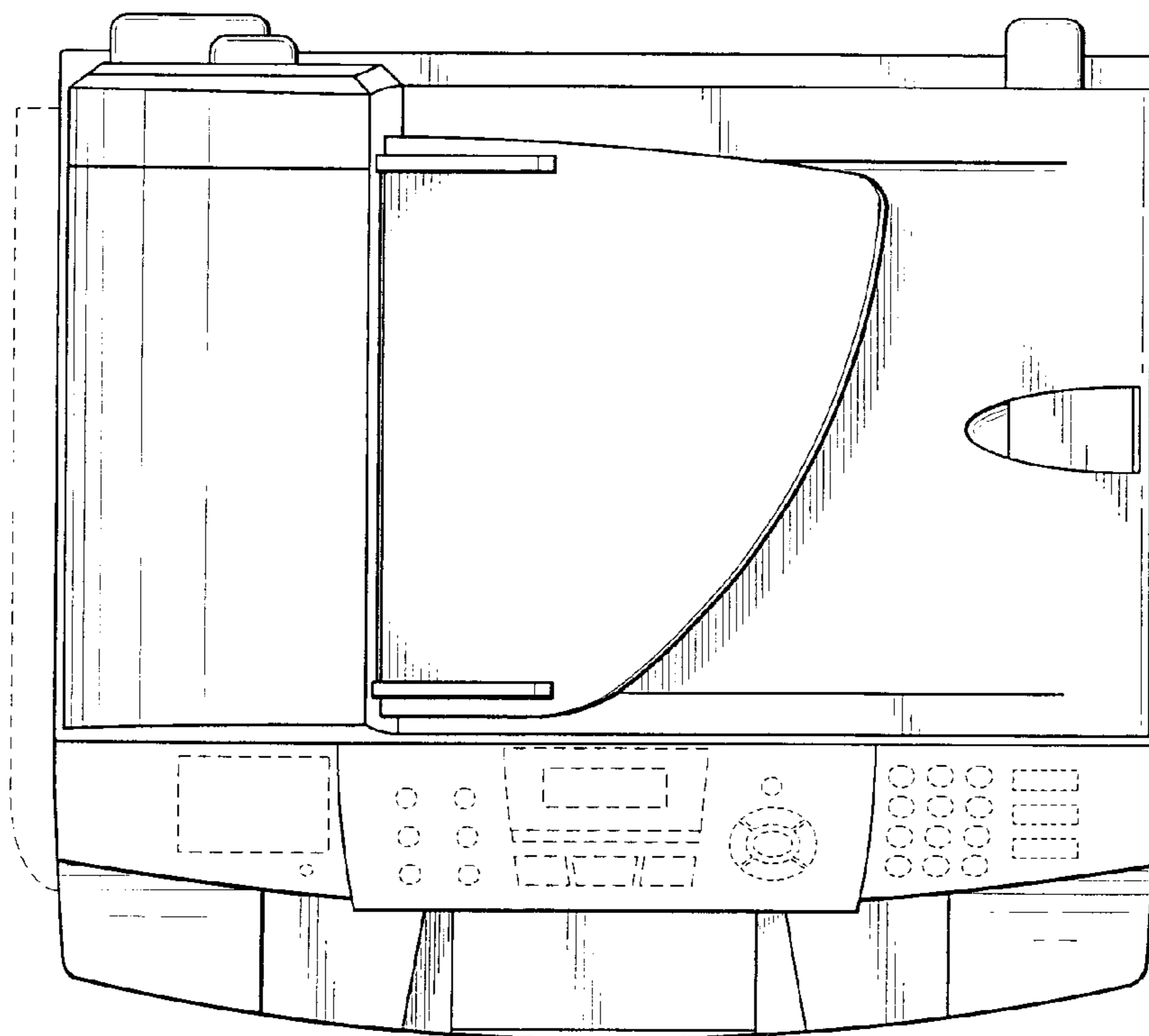


FIG. 3



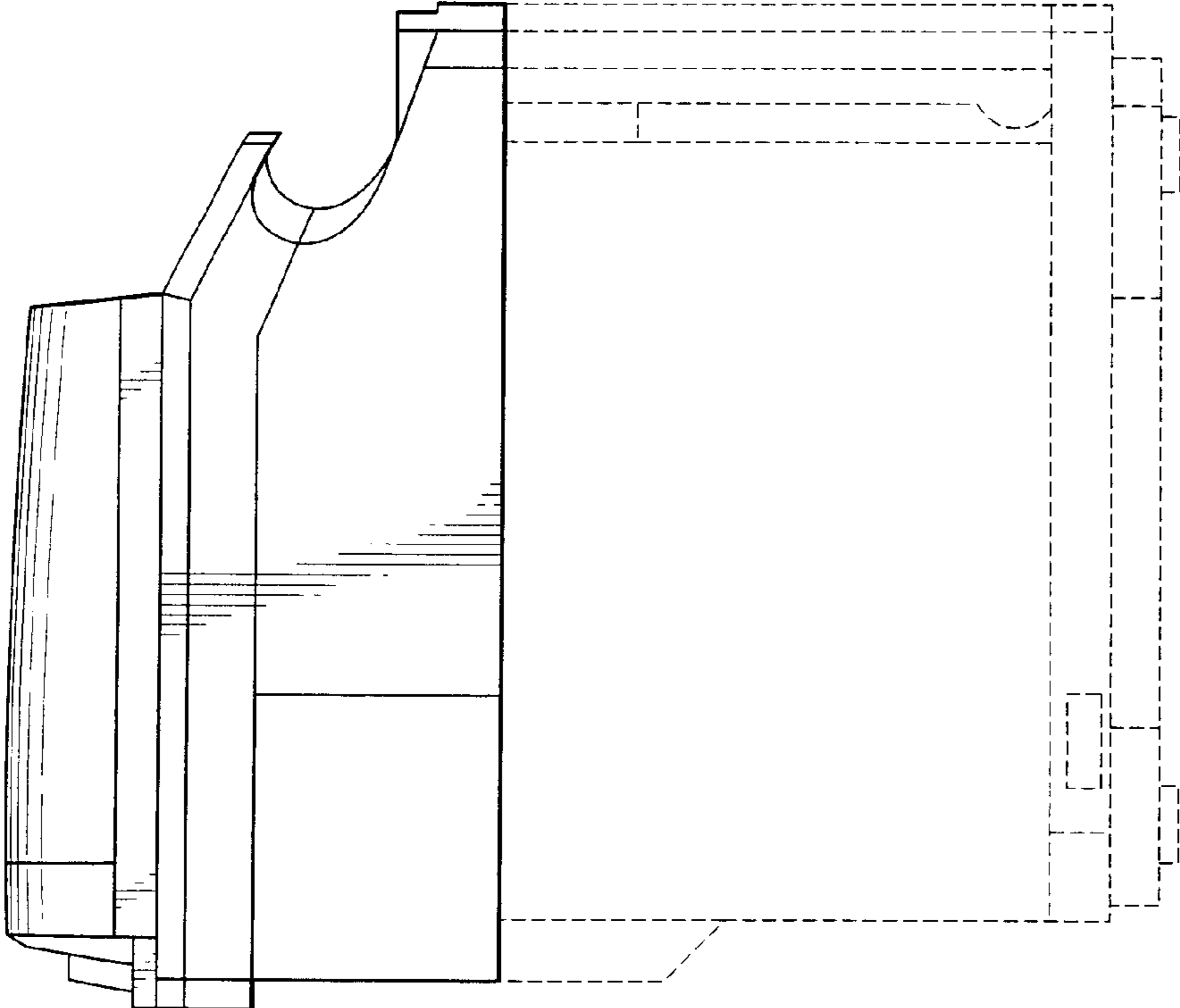


FIG. 4

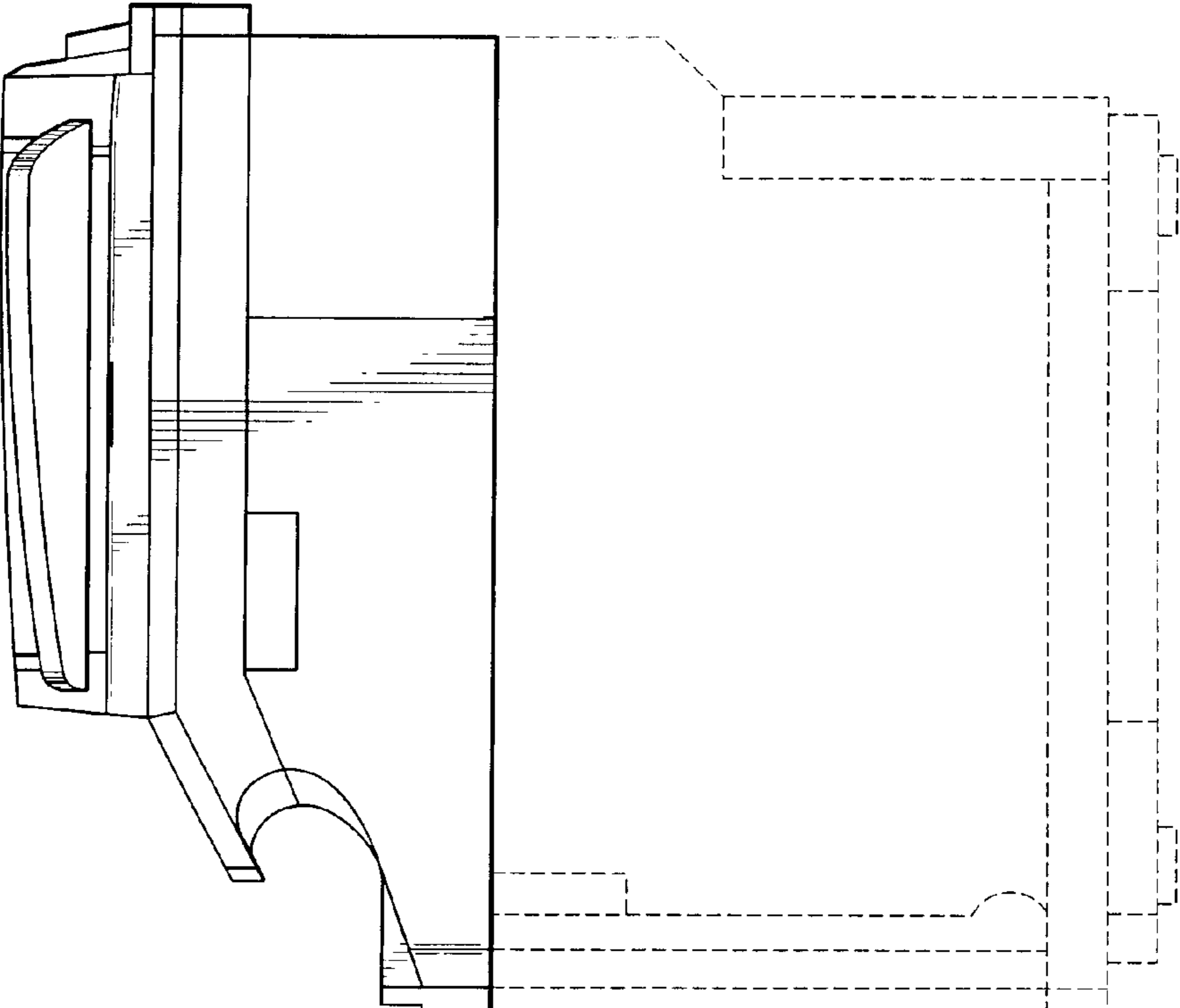


FIG. 5

FIG. 6

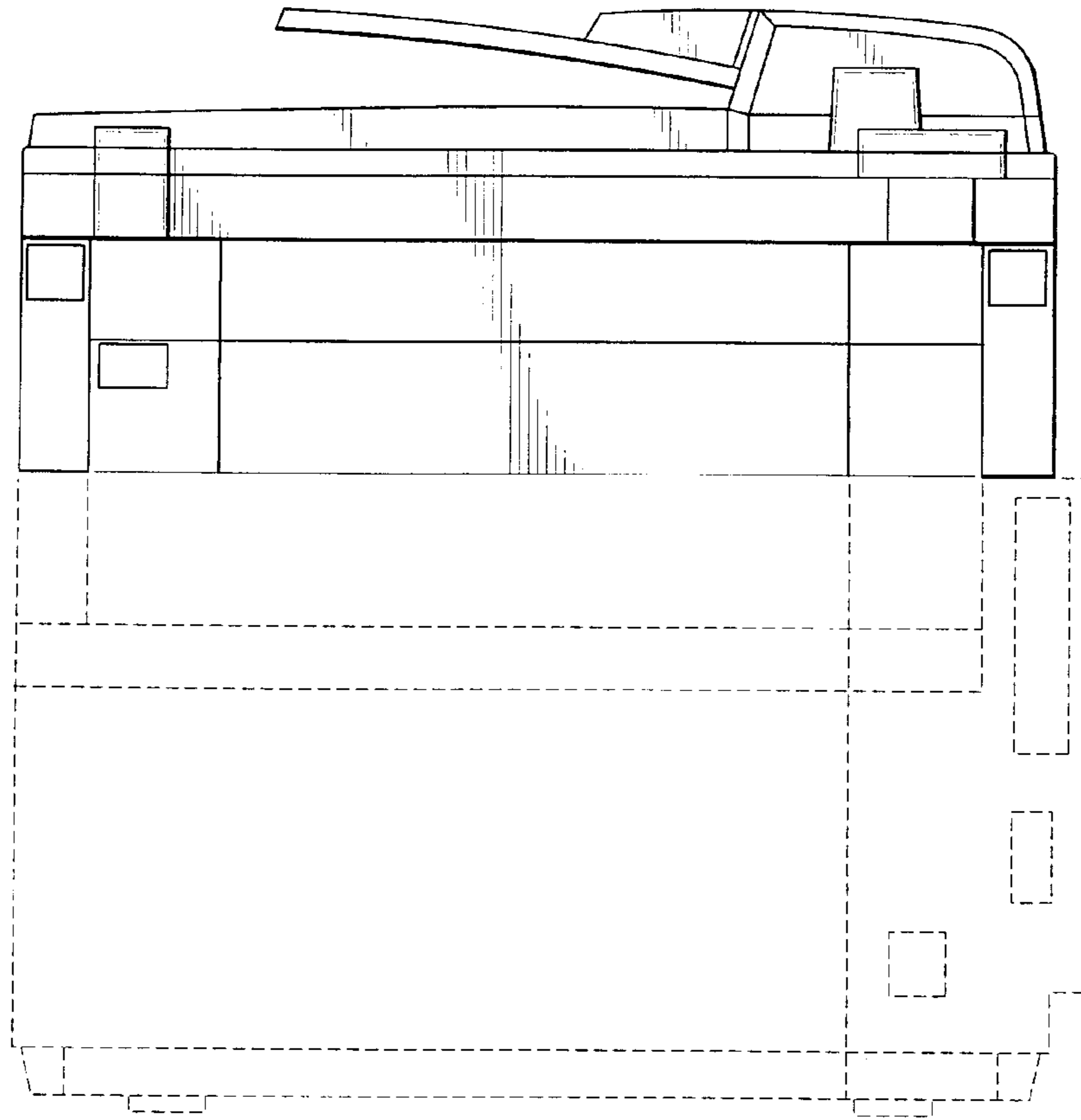
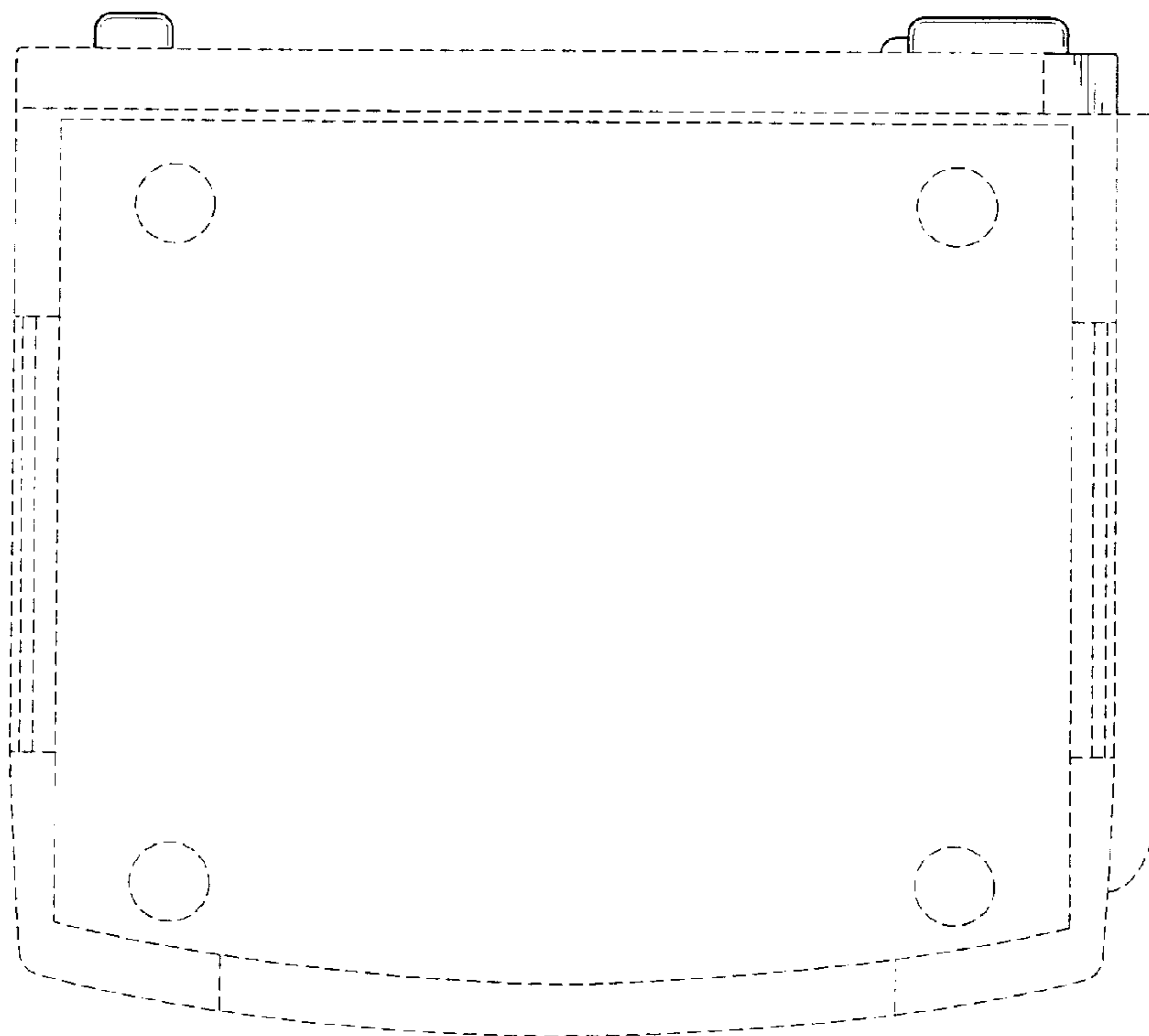


FIG. 7



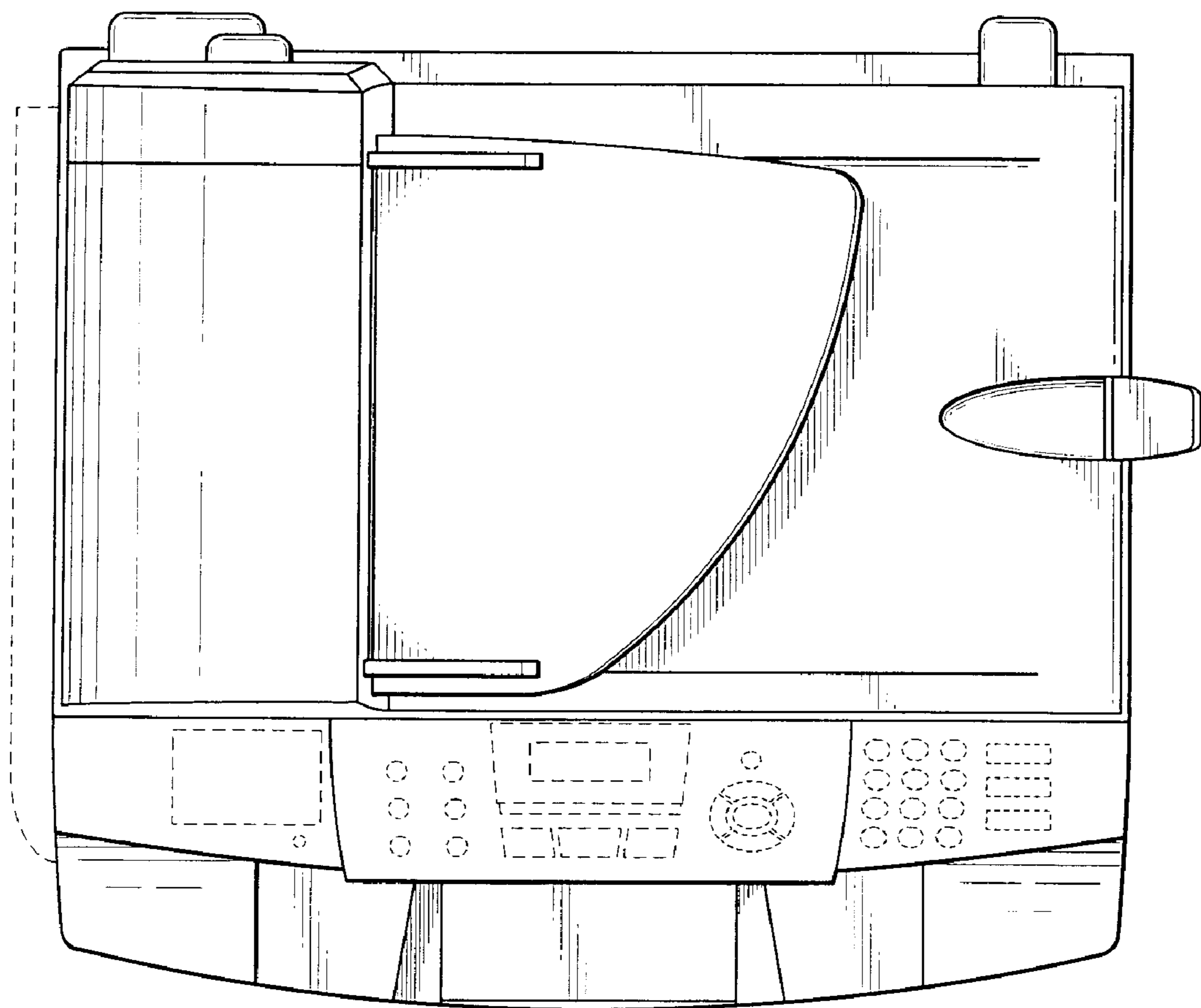


FIG. 8